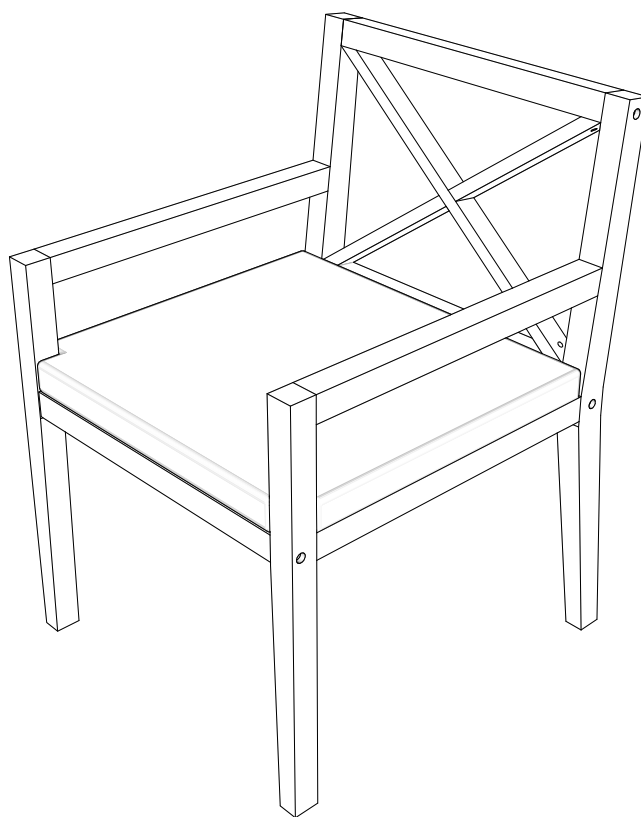


ASSEMBLY INSTRUCTIONS

EEI-7253

V0.10.23.24



Questions? Contact us!

609.256.9000 • cs@modway.com
www.modway.com

***modway**

Let's get started!

*modway



Read through all of the instructions before starting



Care instructions are listed in the last step of this manual



Approx. 30 minutes assembly time



Make sure you have all parts and components before discarding any packing materials



2 people recommended for assembly

Only use hand tools to assemble this item. Do not use power tools. Do not tighten bolts or screws completely until all hardware is lined up and inserted into the holes.

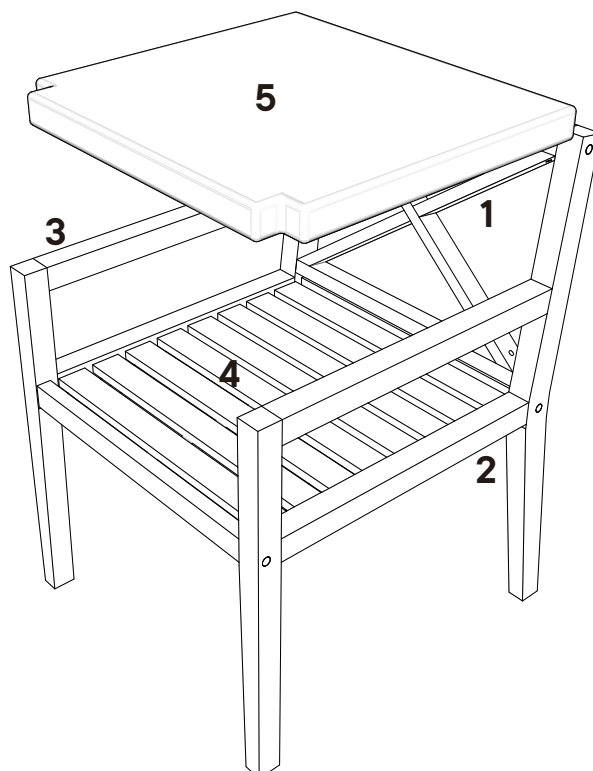
Do not over-tighten screws and bolts to avoid stripping the hardware or cracking the item.

Assemble your item on a flat, carpeted area, with plenty of space to work. This will prevent damage and scratches to your floors or the item while you're assembling the product.




Keep all components and packaging out of reach of children or animals to avoid risk of choking or suffocation.

Furniture components:

1	Backrest	x1
2	Right Leg	x1
3	Left Leg	x1
4	Seat Base	x1
5	Seat Cushion	x1



Provided hardware:

A	 JCBC M6 X 40	x6
B	 Allen Key	x1
C	 Dowel Plug	x6

Wait!

Missing parts or hardware? Need assistance?

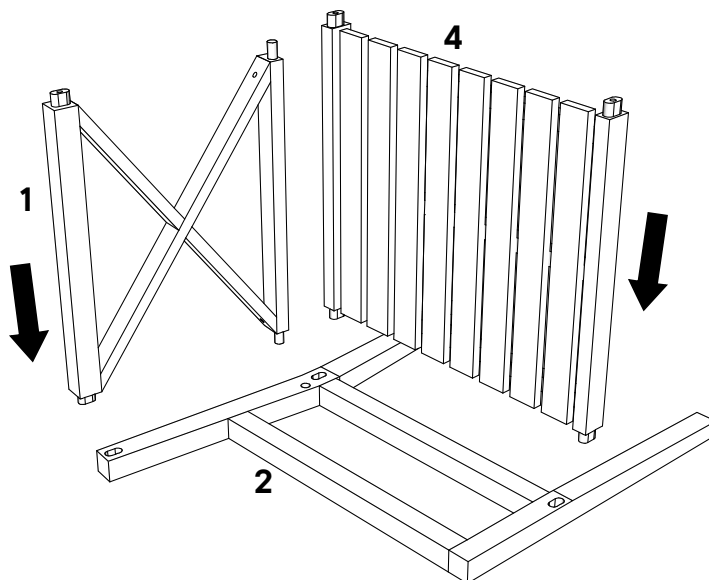
Contact us before returning your item. We're here to help!

609.256.9000 • cs@modway.com

Step 1

COMPONENTS

- | | | |
|---|------------|----|
| 1 | Backrest | x1 |
| 2 | Right Legs | x1 |
| 4 | Seat Base | x1 |



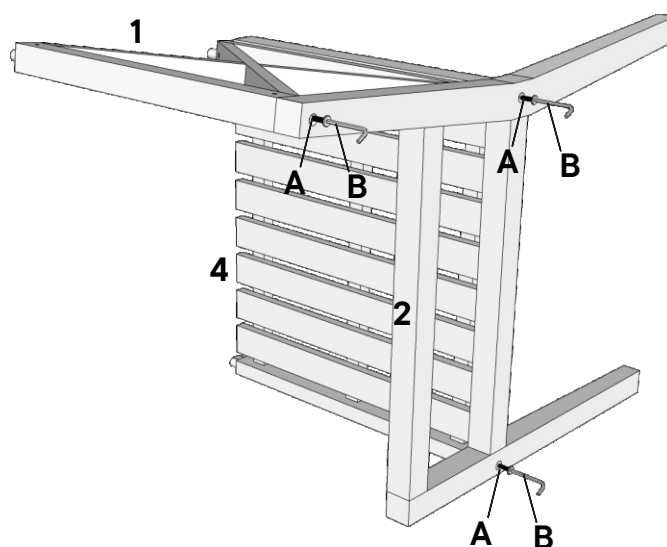
Step 2

HARDWARE

- | | | |
|---|--------------|----|
| A | JCBC M6 X 40 | x3 |
|---|--------------|----|

TOOLS

- | | | |
|---|-----------|----|
| B | Allen Key | x1 |
|---|-----------|----|



Step 3

COMPONENTS

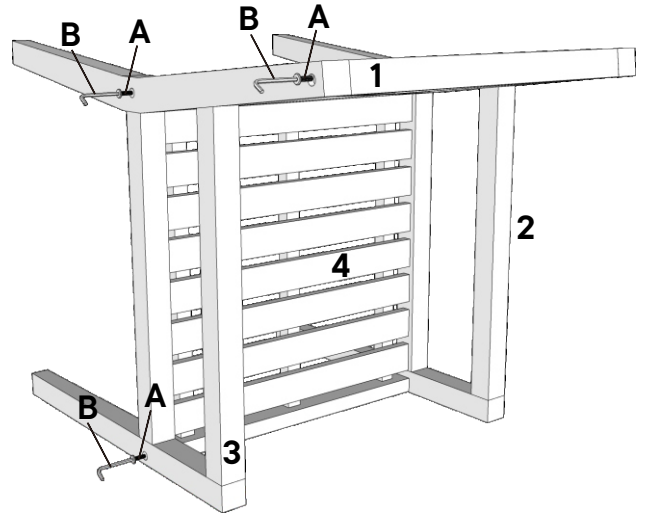
③ Left Leg x1

HARDWARE

Ⓐ JCBC M6 x 40mm x3

TOOLS

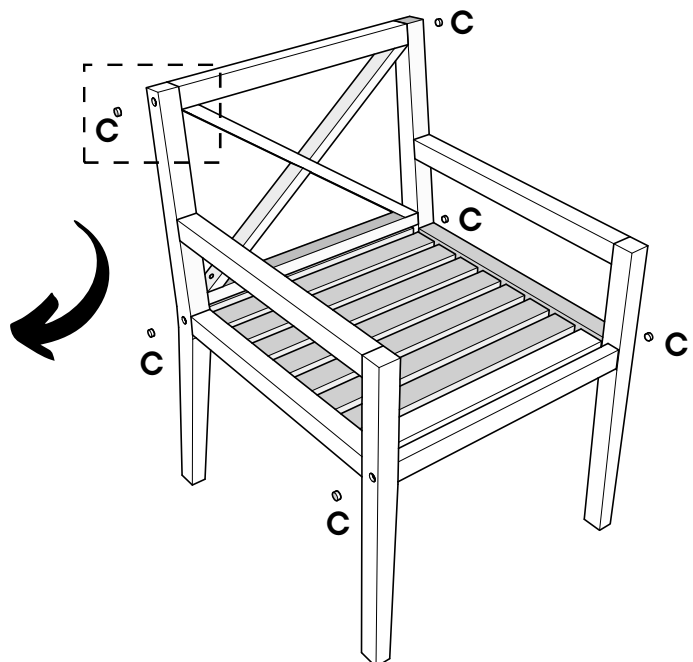
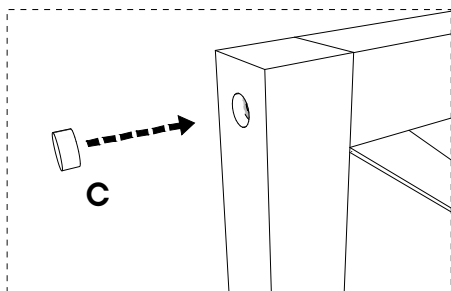
Ⓑ Allen Key x1



Step 4

HARDWARE

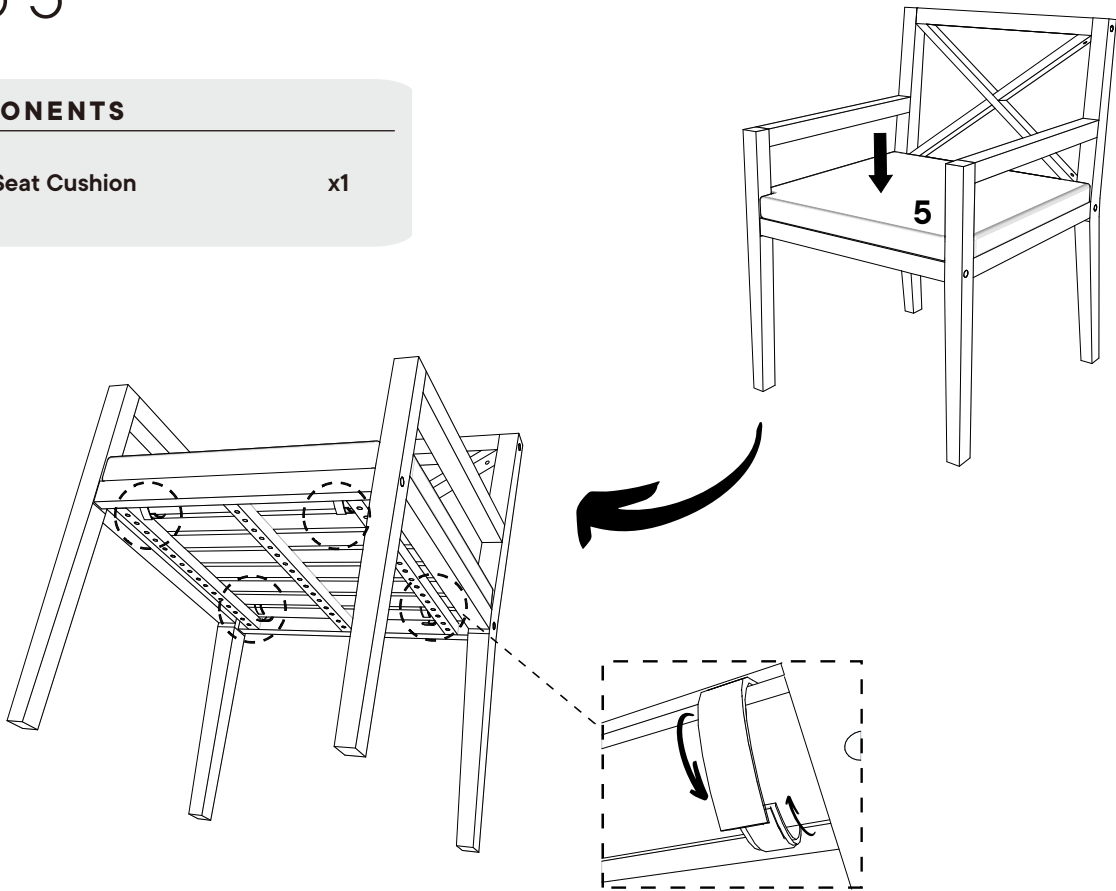
Ⓒ Dowel Plug x6



Step 5

COMPONENTS

- 5 Seat Cushion x1



Great job!

Your new chair is complete.

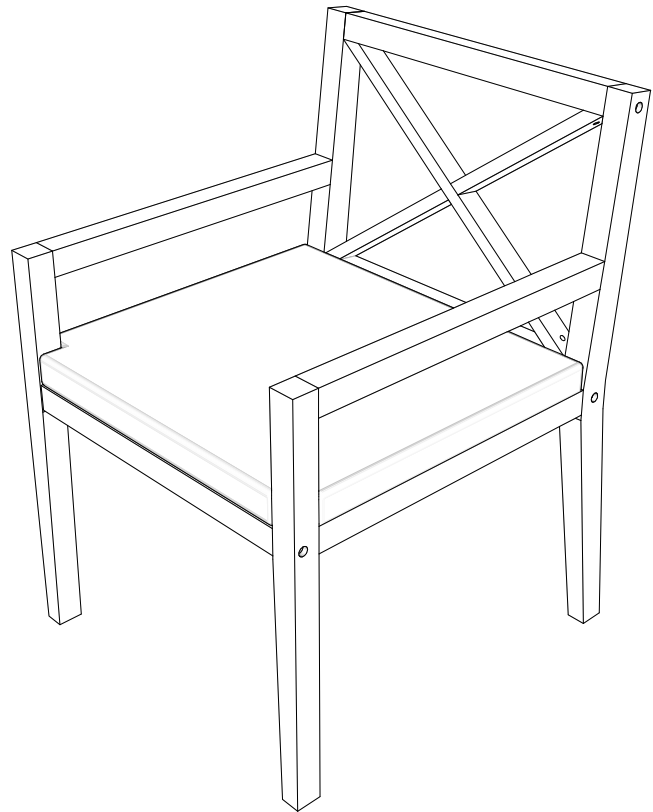
♥ CARING FOR YOUR ITEM

Depending on use, it may be necessary to tighten the hardware from time to time, so please save the tools that have been provided.

Not contract grade.

Clean using a non-abrasive cloth and a mild cleaner.

Retain the rich wood color by occasionally sanding lightly and applying a teak cleaner and protectant. The oils nourish and help restore the original look.



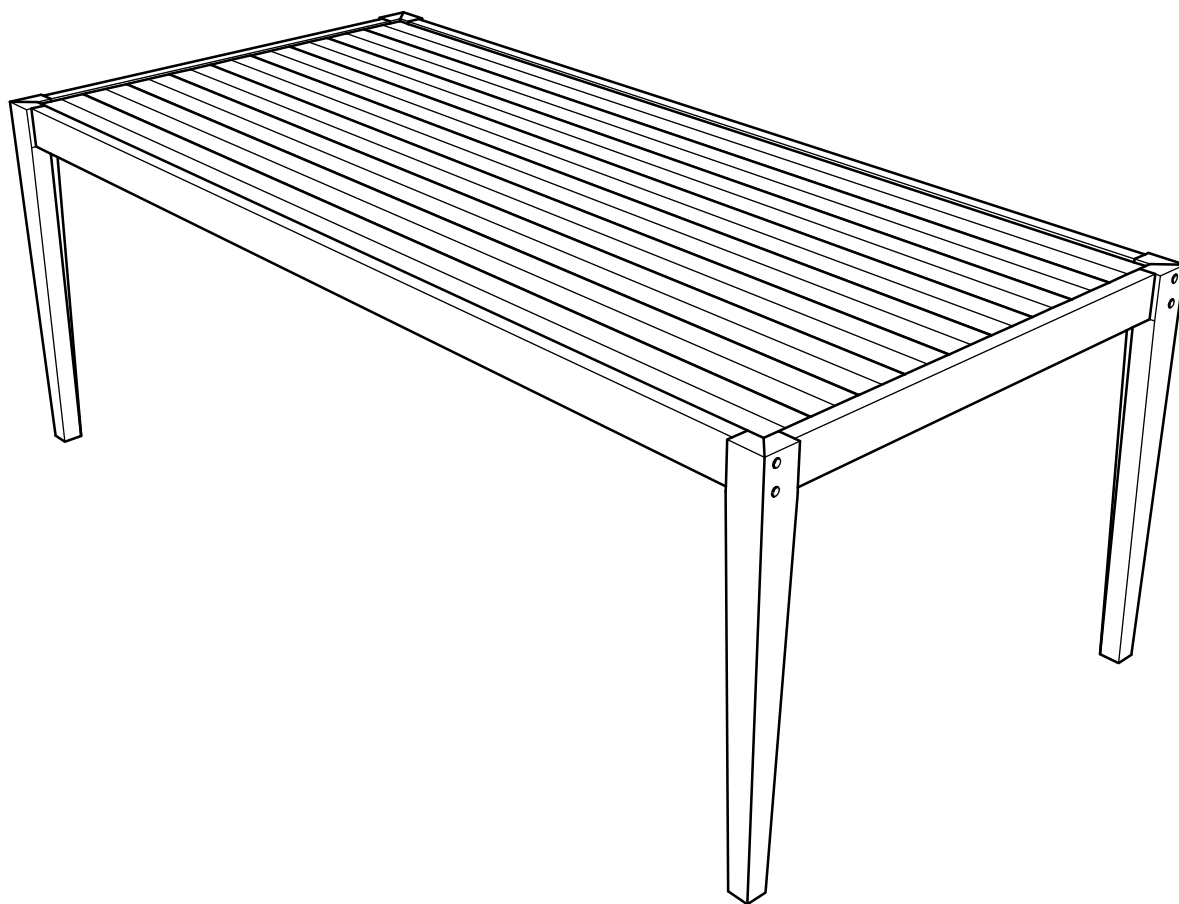
CONNECT WITH US!

Tag us [@modway_furniture](#) and [#modway](#) for a chance to be featured.

ASSEMBLY INSTRUCTIONS

EEI-7257

V0.10.23.24



Questions? Contact us!

609.256.9000 • cs@modway.com
www.modway.com

***modway**

Let's get started!

*modway



Read through all of the instructions before starting



Care instructions are listed in the last step of this manual



Approx. 30 minutes assembly time



Make sure you have all parts and components before discarding any packing materials



2 people recommended for assembly

Only use hand tools to assemble this item. Do not use power tools. Do not tighten bolts or screws completely until all hardware is lined up

Do not over-tighten screws and bolts to avoid stripping the hardware or cracking the item.




Assemble your item on a flat, carpeted area, with plenty of space to work. This will prevent damage and scratches to your floors or the item while you're assembling the product.

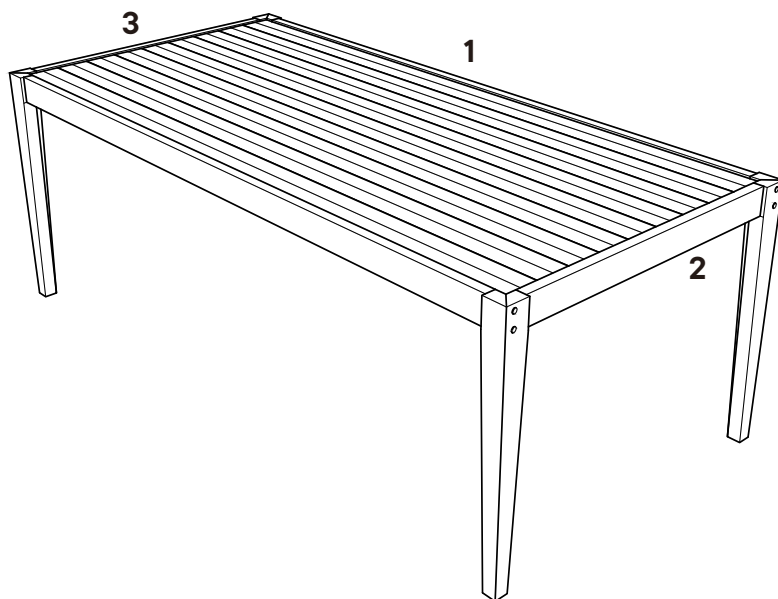
Keep all components and packaging out of reach of children or animals to avoid risk of choking or suffocation.

Furniture components:

1	Top Table	x1
2	Right Legs	x1
3	Left Leg	x1

Provided hardware:

A	 JCBC M6 X 70	x12
B	 Allen Key	x1
C	 Dowel Plug	x8



Wait!

Missing parts or hardware? Need assistance?

Contact us before returning your item. We're here to help!
609.256.9000 • cs@modway.com

Step 1

COMPONENTS

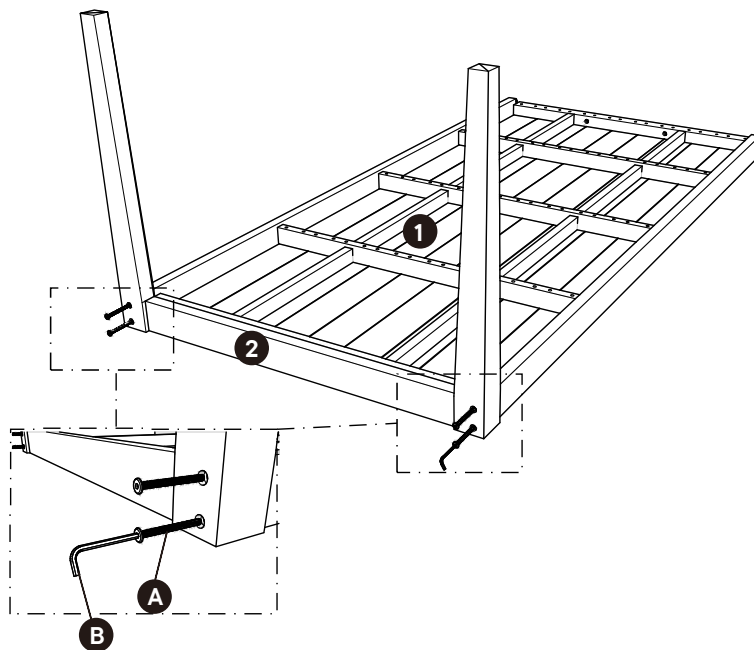
- 1 Top Table x1
- 2 Right Legs x1

HARDWARE

- A JCBC M6 X 70 x4

TOOLS

- B Allen Key x1



Step 2

COMPONENTS

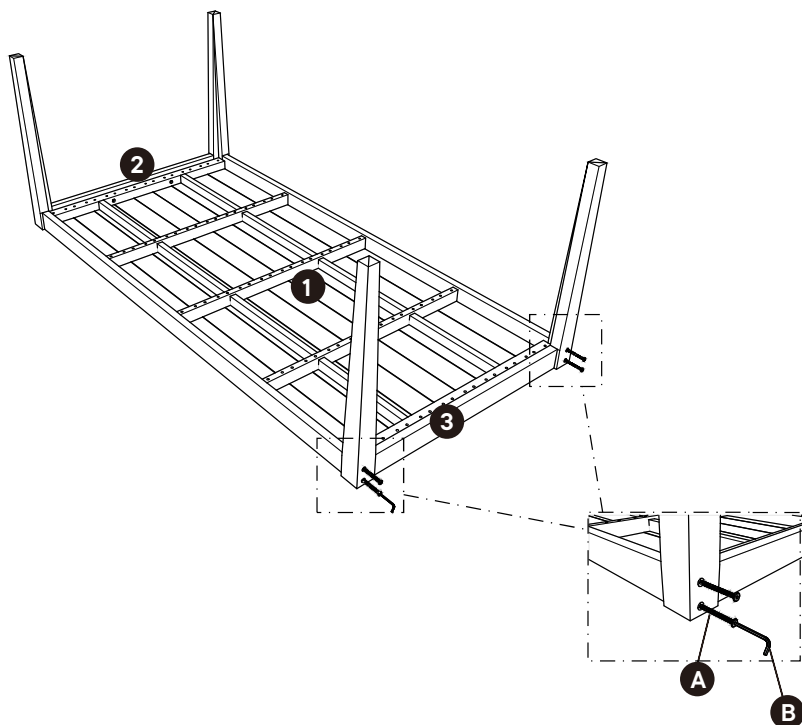
- 3 Left Legs x1

HARDWARE

- A JCBC M6 X 70 x4

TOOLS

- B Allen Key x1



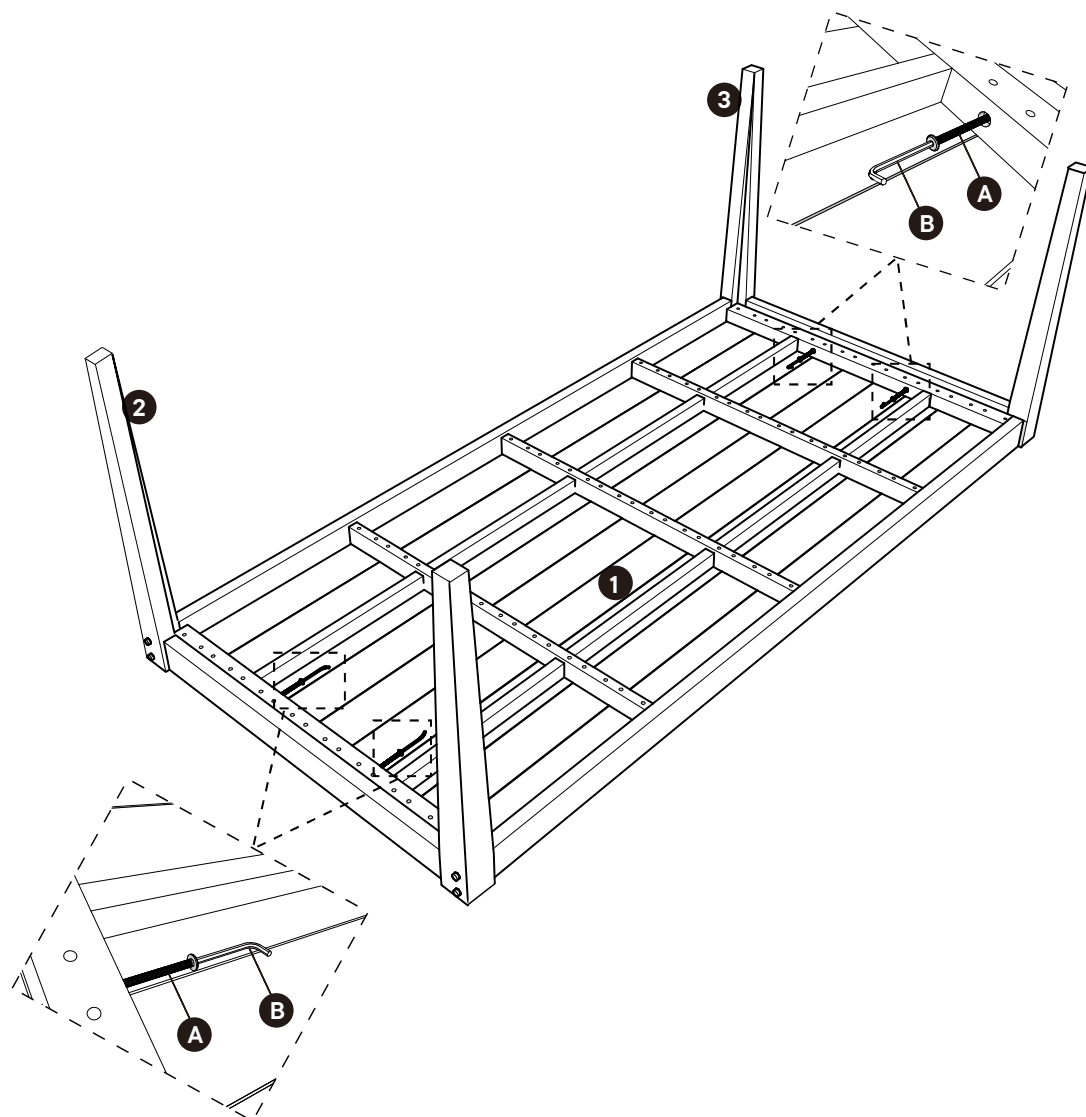
Step 3

HARDWARE

A JCBC M6 X 70 x4

TOOLS

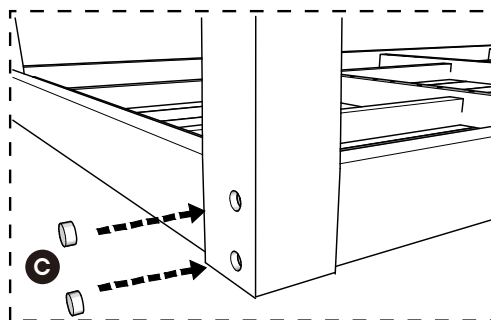
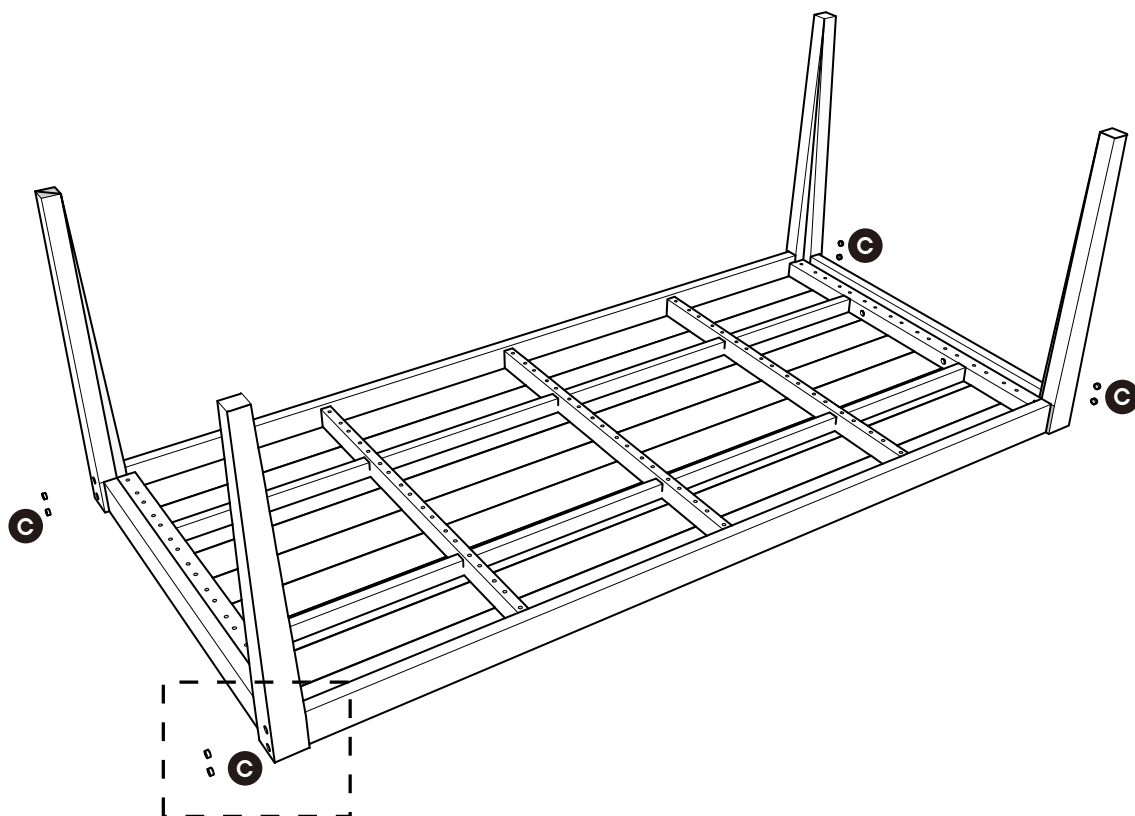
B Allen Key x1



Step 4

HARDWARE

C Dowel Plug x8



Great job!

Your new dining table is complete.

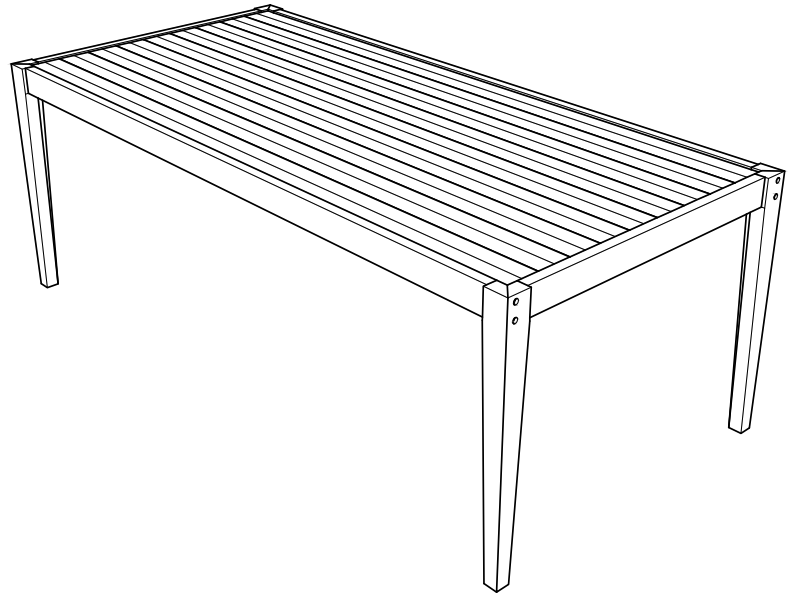
♥ CARING FOR YOUR ITEM

Depending on use, it may be necessary to tighten the hardware from time to time, so please save the tools that have been provided.

Not contract grade.

Clean using a non-abrasive cloth and a mild cleaner.

Retain the rich wood color by occasionally sanding lightly and applying a teak cleaner and protectant. The oils nourish and help restore the original look.



CONNECT WITH US!   

Tag us [@modway_furniture](#) and [#modway](#) for a chance to be featured.