

ASSEMBLY INSTRUCTIONS

# Chair

EEI-7443 / V0.07.03.25

---

**modway**



Questions? Contact us!  
609.256.9000  
[cs@modway.com](mailto:cs@modway.com)

# Welcome.

## Let's get started.

Before you begin, here are some things to keep in mind:

Assembly will take most people **about 30 minutes**. Consider having a friend help you!

**Only use hand tools to assemble this item.** Do not use power tools. Do not tighten bolts or screws completely until all hardware is lined up and inserted into the holes.

**Read through all of the instructions before starting. Make sure you have all parts and components before discarding any packing materials.**

Do not over-tighten screws and bolts to avoid stripping the hardware or cracking the item.

Assemble your item on a flat, carpeted area, with plenty of space to work. This will prevent damage and scratches to your floors or the item while you're assembling the product.

Keep all components and packaging out of reach of children or animals to avoid risk of choking or suffocation.




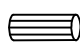

**Care instructions are listed in the last step of this manual.**

**WAIT!**

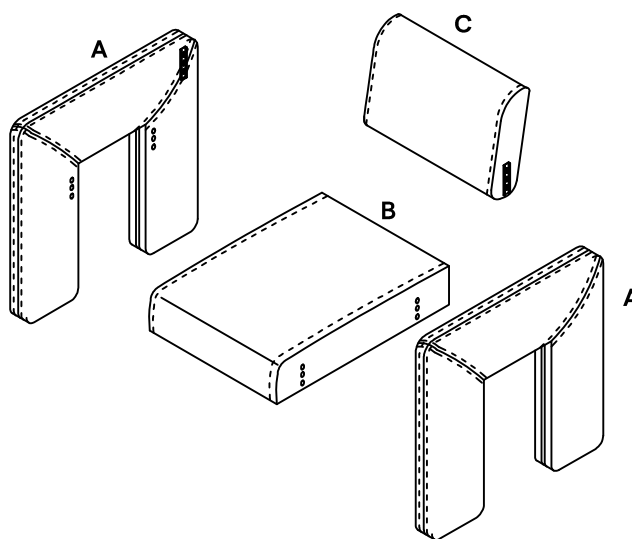
**Missing parts or hardware? Need assistance?**  
Contact us before returning your item.  
We're here to help!



## HARDWARE INCLUDED IN THE BOX:

1		JCBB Bolt M8 x 60mm	x8
2		M8 Flat Washer	x8
3		M8 Spring Washer	x8
4		Wood Dowel M10 x 30mm	x4
5		M5 Allen Key	x1

## FURNITURE COMPONENTS:



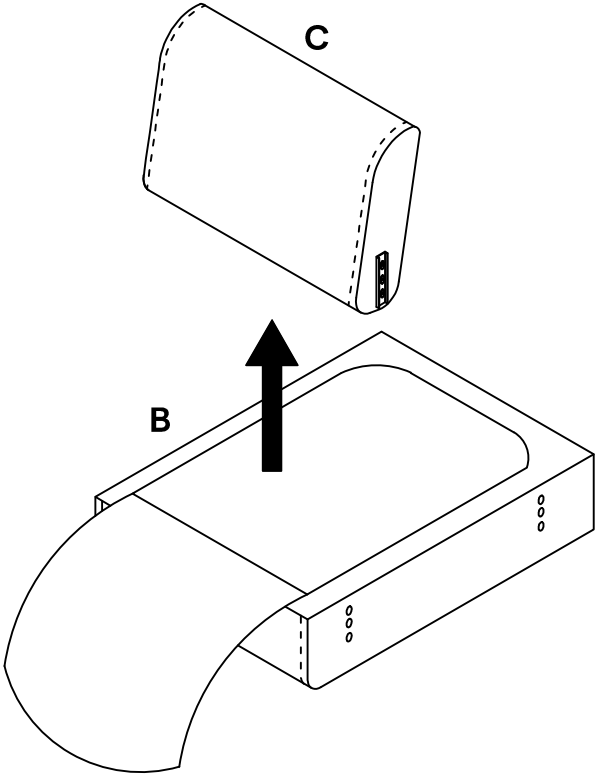
A	Arm	x2
B	Seat Frame	x1
C	Back Rest	x1

**STEP 01**

**COMPONENTS**

- B** Seat Frame x1
- C** Back Rest x1

Unzip the bottom of the seat to take out the Back Rest.



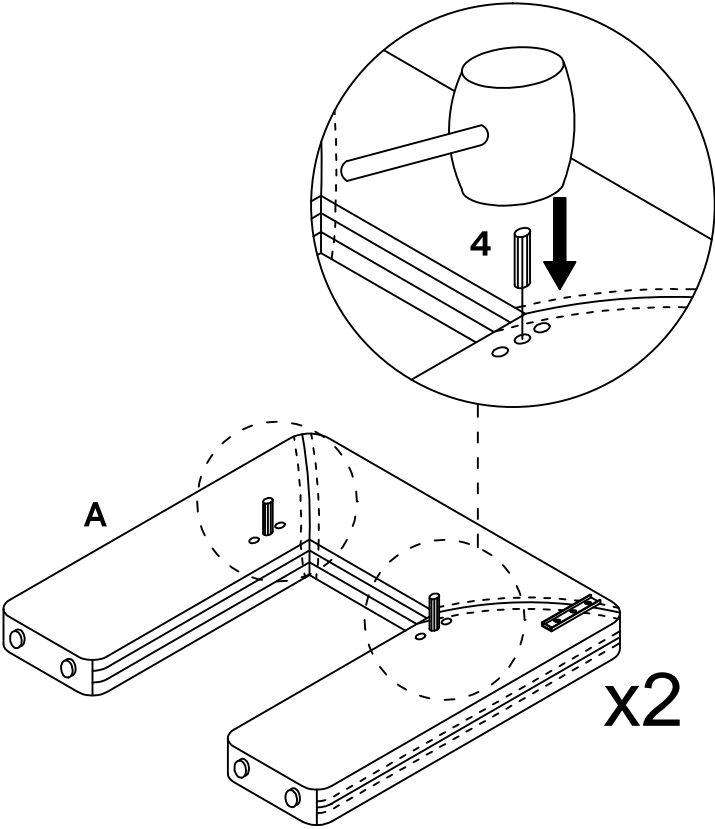
**STEP 02**

**HARDWARE**

- 4** Wood Dowel M10 x 30mm x4

**COMPONENTS**

- A** Arm x2



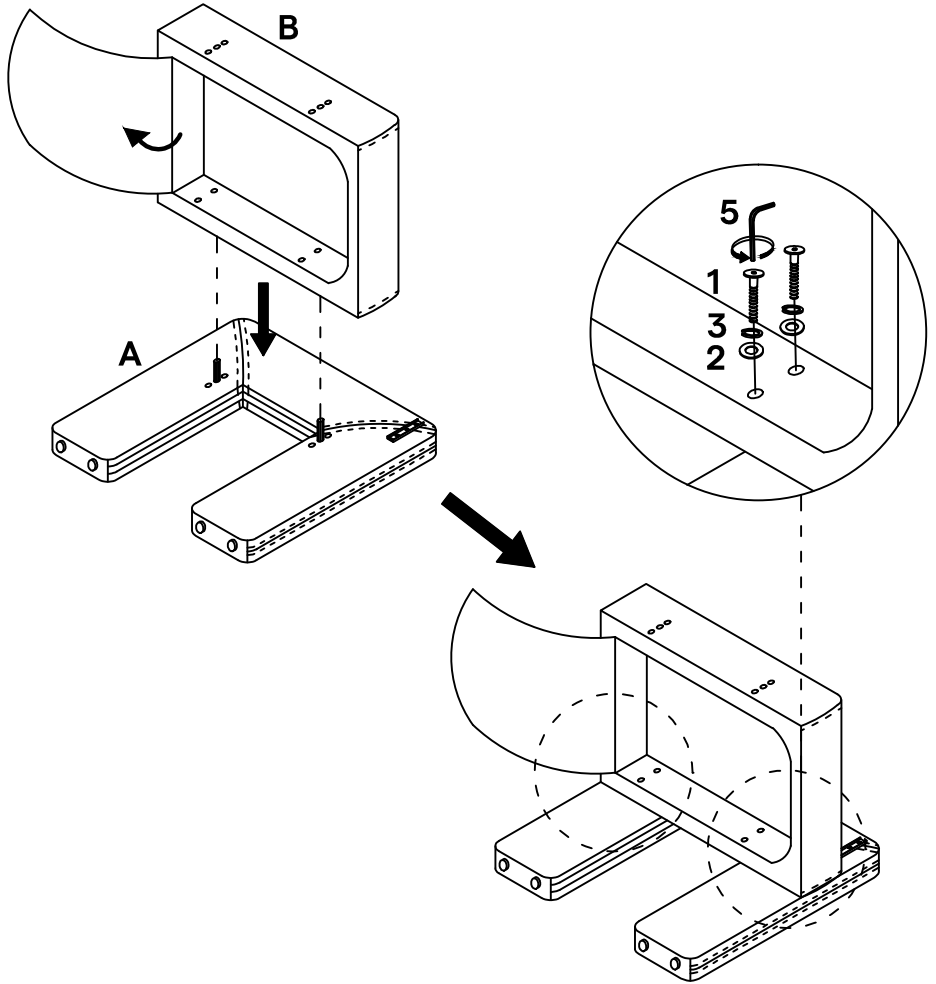
**STEP 03**

**HARDWARE**

- 1** JCBB Bolt M8 x 50mm x4
- 2** M8 Flat Washer x4
- 3** M8 Spring Washer x4
- 5** M5 Allen Key x1

**COMPONENTS**

- A** Arm x1
- B** Seat Frame x1



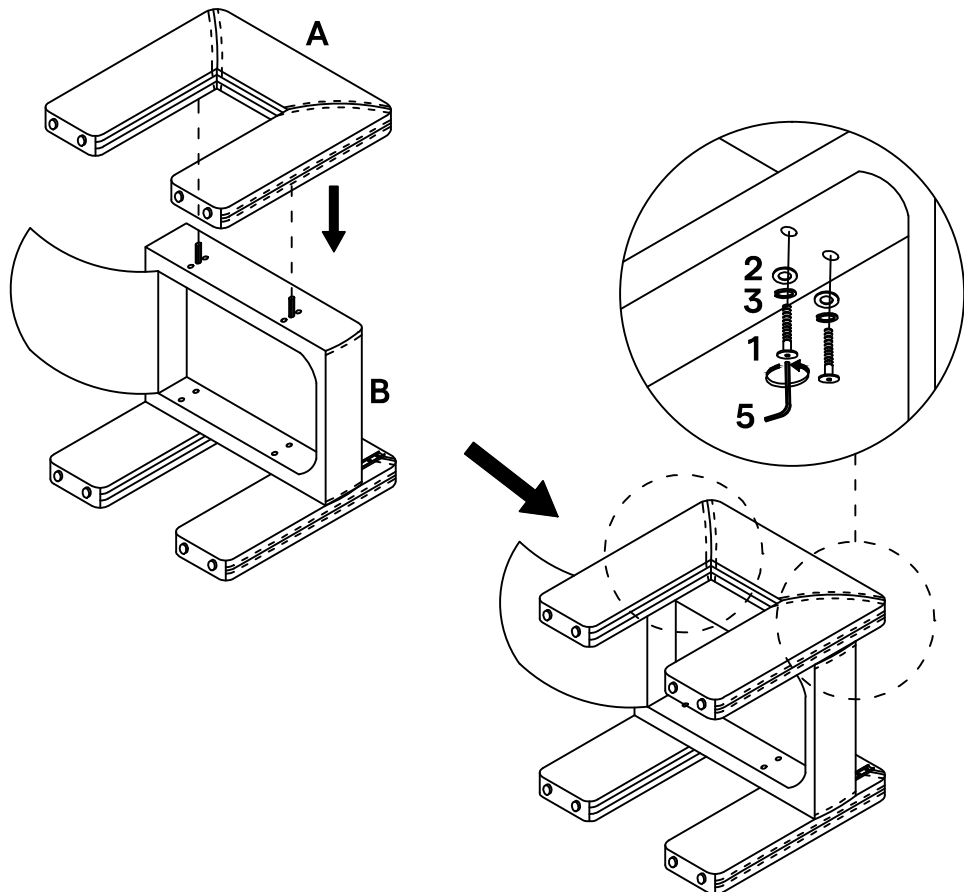
**STEP 04**

**HARDWARE**

- 1** JCBB Bolt M8 x 50mm x4
- 2** M8 Flat Washer x4
- 3** M8 Spring Washer x4
- 5** M5 Allen Key x1

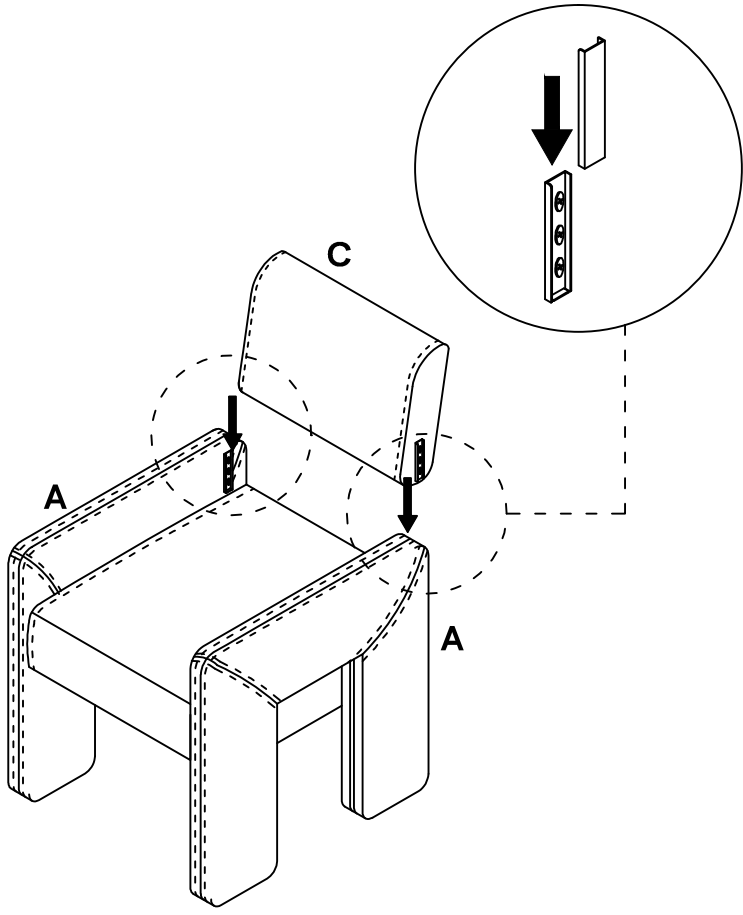
**COMPONENTS**

- A** Arm x1
- B** Seat Frame x1



**STEP 05**

COMPONENTS		
<b>A</b>	Arm	x2
<b>C</b>	Back Rest	x1



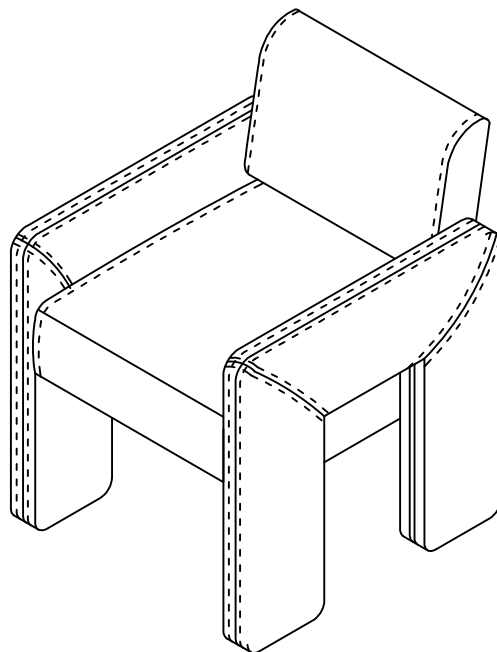
# Great job!

Chair assembly is complete.

---

## CARING FOR YOUR ITEM

- Indoor use only.
- Not contract grade.
- Clean using a non-abrasive cloth and a mild cleaner.
- Never use harsh chemicals, as they could damage the finish or integrity of the item.



## CONNECT WITH US!

Tag us [@modway\\_furniture](#) and [#modway](#) for a chance to be featured.

# modway



Questions? Contact us!  
609.256.9000  
[cs@modway.com](mailto:cs@modway.com)