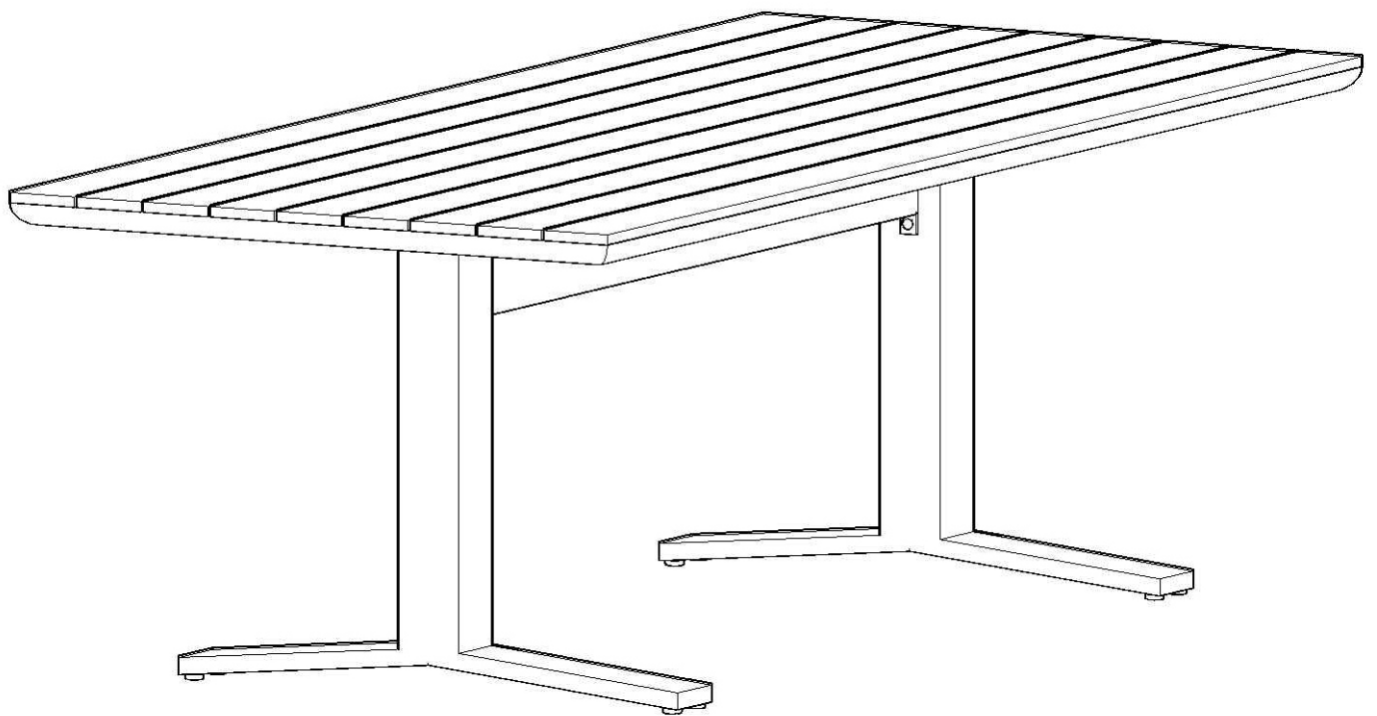


ASSEMBLY INSTRUCTIONS

EEI-6948

V0.04.04.24



Questions? Contact us!

609.256.9000 • cs@modway.com
www.modway.com

*modway

Let's get started!

*modway



Read through all of the instructions before starting



Care instructions are listed in the last step of this manual



Approx. 30 minutes assembly time



Make sure you have all parts and components before discarding any packing materials



2 people recommended for assembly

Only use hand tools to assemble this item. Do not use power tools. Do not tighten bolts or screws completely until all hardware is lined up and inserted into the holes.

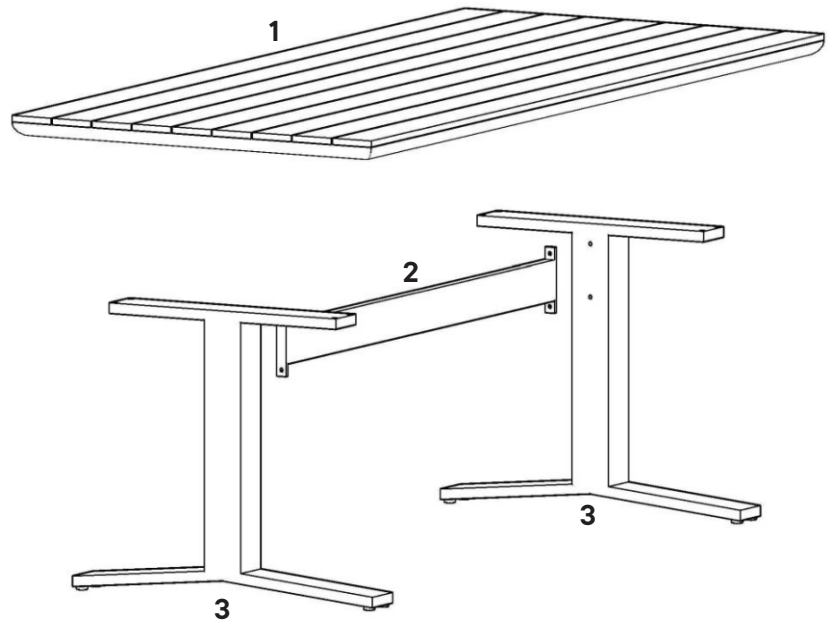
Do not over-tighten screws and bolts to avoid stripping the hardware or cracking the item.

Assemble your item on a flat, carpeted area, with plenty of space to work. This will prevent damage and scratches to your floors or the item while you're assembling the product.

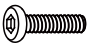
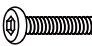


Keep all components and packaging out of reach of children or animals to avoid risk of choking or suffocation.

Furniture components:

1	Table Top	x1
2	Support Bar	x1
3	Table Leg	x2



Provided hardware:

A		JCBC M6 x 20mm	x4
B		JCBC M6 x 40mm	x8
C		Flat Washer M6	x12
D		Allen Key	x1

Wait!

Missing parts or hardware? Need assistance?
Contact us before returning your item. We're here to help!
609.256.9000 • cs@modway.com

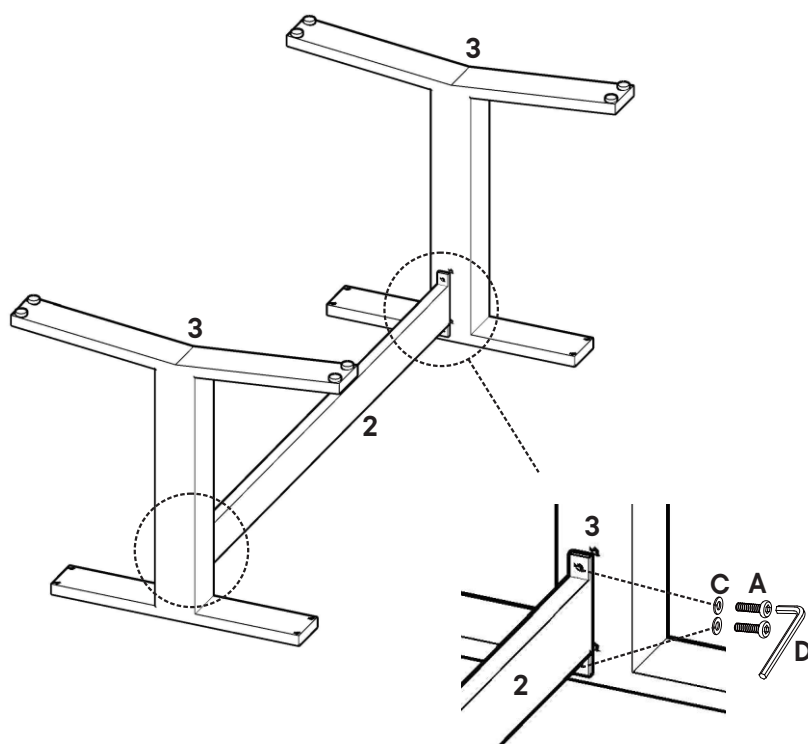
Step 1

COMPONENTS

- ② Support Bar x1
- ③ Table Leg x2

HARDWARE

- Ⓐ JCBC M6 x 20mm x4
- Ⓒ Flat Washer M6 x4
- Ⓓ Allen Key x1



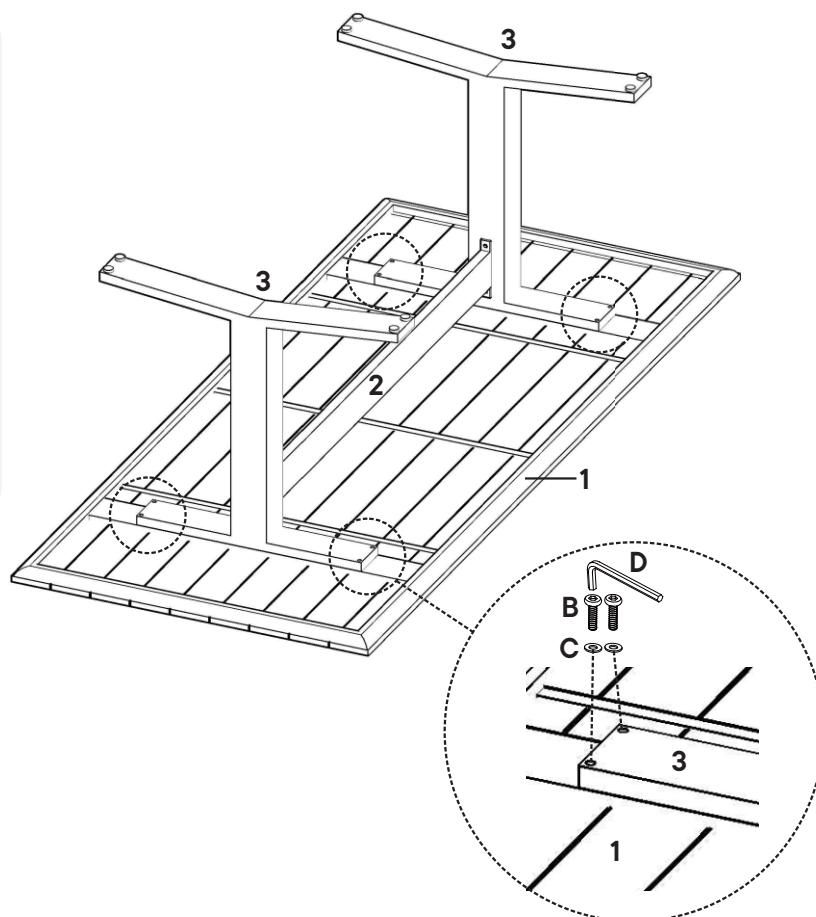
Step 2

COMPONENTS

- ① Table Top x1
- ② Support Bar x1
- ③ Table Leg x2

HARDWARE

- Ⓑ JCBC M6 x 40mm x8
- Ⓒ Flat Washer M6 x8
- Ⓓ Allen Key x1



Great job!

Your dining table is complete and ready to enjoy.

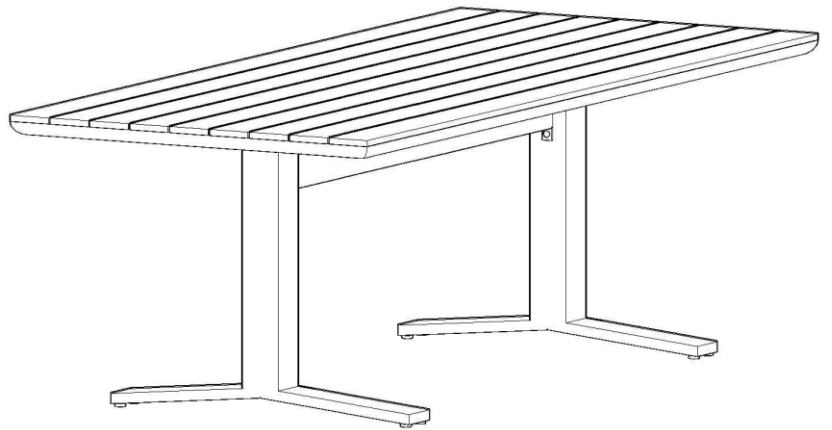
♥ CARING FOR YOUR ITEM

Indoor and outdoor use.

Not contract grade.

Clean using a non-abrasive cloth and a mild cleaner.

Never use harsh chemicals, as they could damage the finish or integrity of the item.



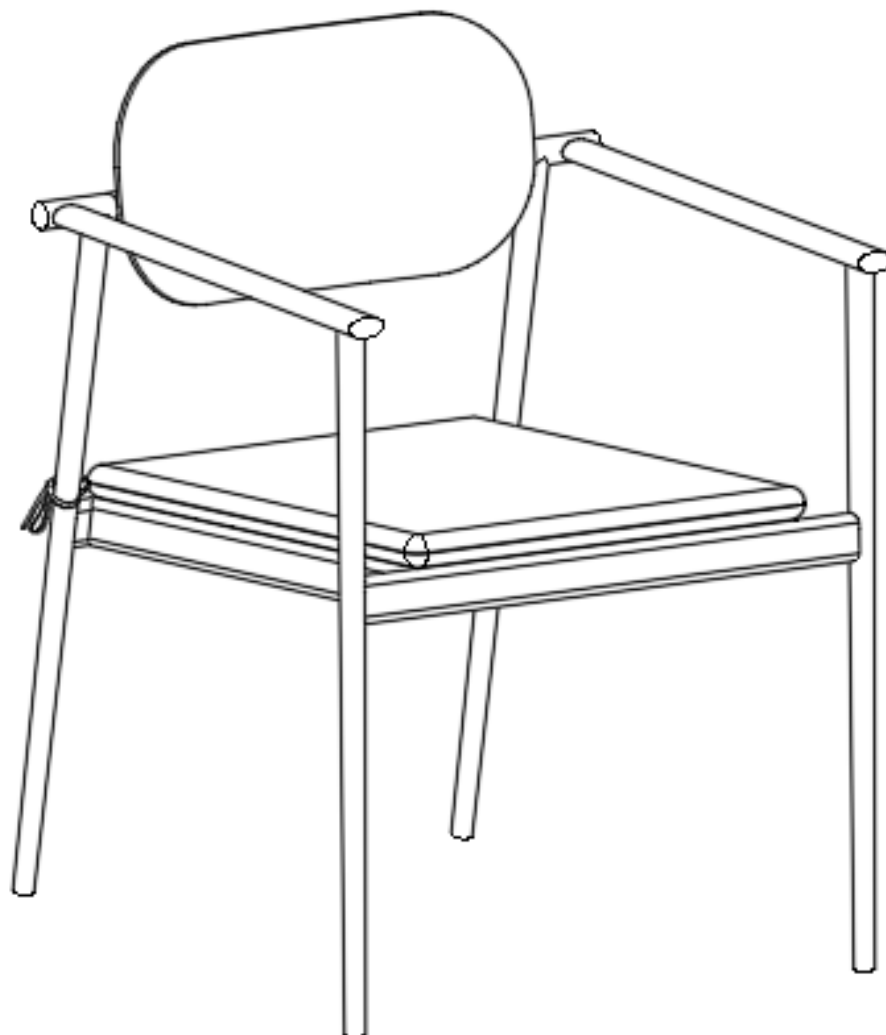
CONNECT WITH US!

Tag us [@modway_furniture](#) and [#modway](#) for a chance to be featured.

ASSEMBLY INSTRUCTIONS

EEI-7148

V0.08.06.24



Questions? Contact us!

609.256.9000 • cs@modway.com
www.modway.com

***modway**

Let's get started!

*modway



Read through all of the instructions before starting



Care instructions are listed in the last step of this manual



Approx. 30 minutes assembly time



Make sure you have all parts and components before discarding any packing materials



2 people recommended for assembly

Only use hand tools to assemble this item. Do not use power tools. Do not tighten bolts or screws completely until all hardware is lined up and inserted into the holes.

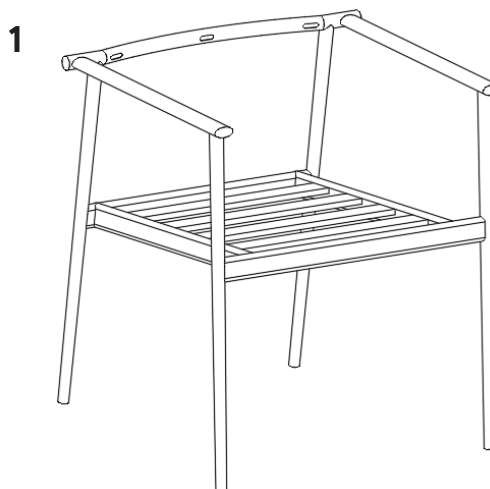
Do not over-tighten screws and bolts to avoid stripping the hardware or cracking the item.

Assemble your item on a flat, carpeted area, with plenty of space to work. This will prevent damage and scratches to your floors or the item while you're assembling the product.

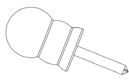

Keep all components and packaging out of reach of children or animals to avoid risk of choking or suffocation.

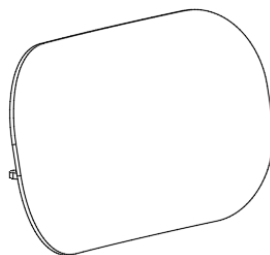
Furniture components:

1	Chair Frame	x1
2	Back Rest	x1
3	Seat Cushion	x1

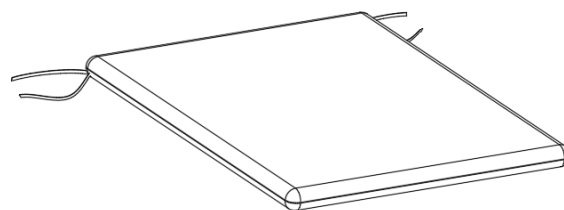


Provided hardware:

A		Cross Screwdriver	x1
B		Bolt 1/4 x 25mm	x3



2



3

Wait!

Missing parts or hardware? Need assistance?

Contact us before returning your item. We're here to help!
609.256.9000 • cs@modway.com

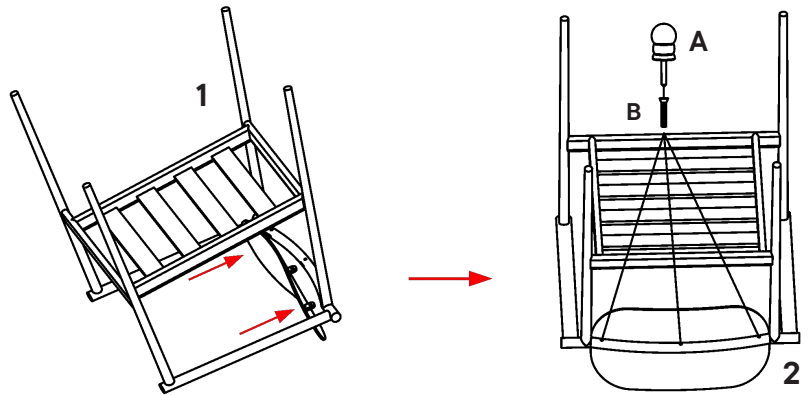
Step 1

COMPONENTS

- 1 Chair Frame x1
- 2 Back Rest x1

HARDWARE

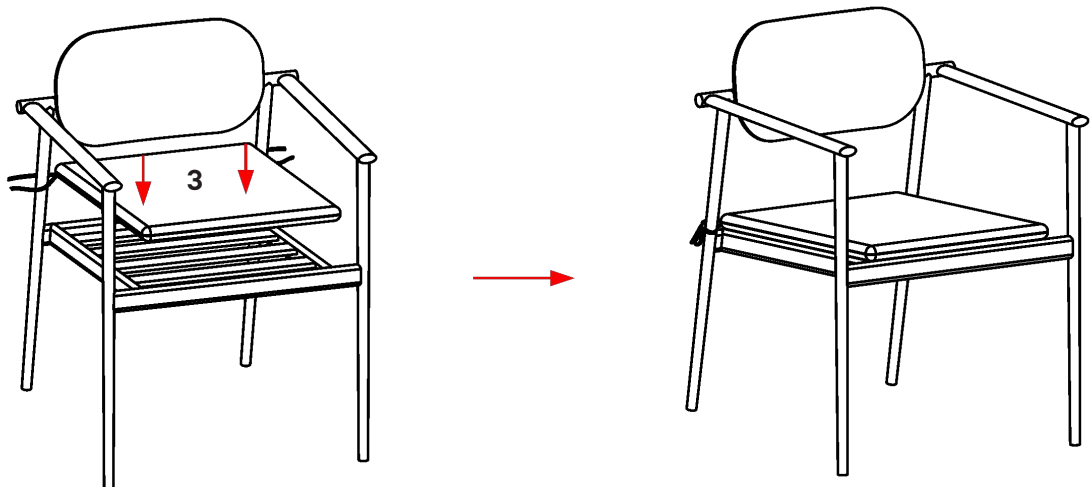
- A Cross Screwdriver x1
- B Bolt 1/4 x 25mm x3



Step 2

COMPONENTS

- 3 Seat Cushion x1



Tied the seat cushion to chair as shown

Great job!

Your new chair is complete.

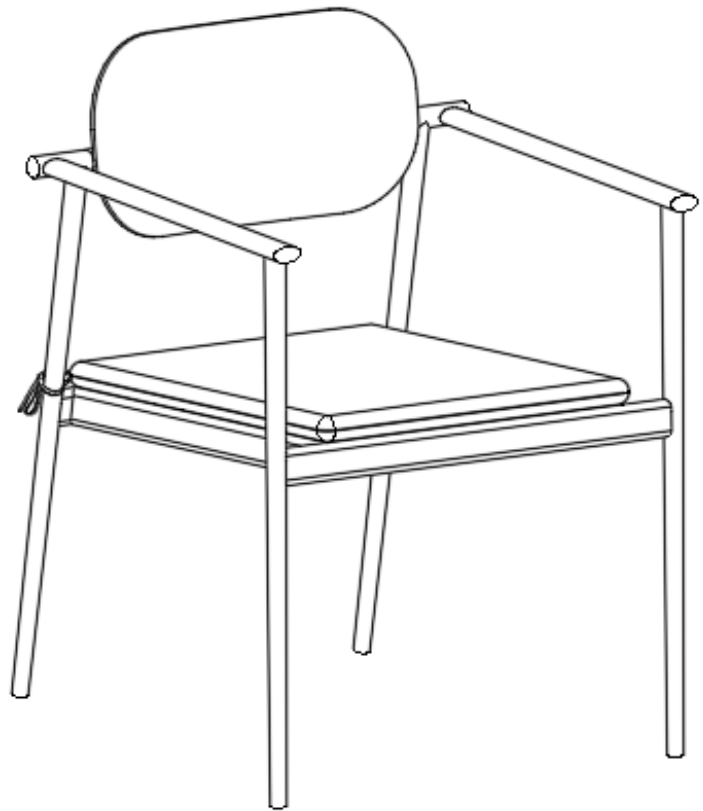
♥ CARING FOR YOUR ITEM

Indoor use only.

Not contract grade.

Spot clean using a non-abrasive cloth and a mild cleaner.

Never use harsh chemicals, as they could damage the finish or integrity of the item.



CONNECT WITH US!   

Tag us [@modway_furniture](#) and [#modway](#) for a chance to be featured.