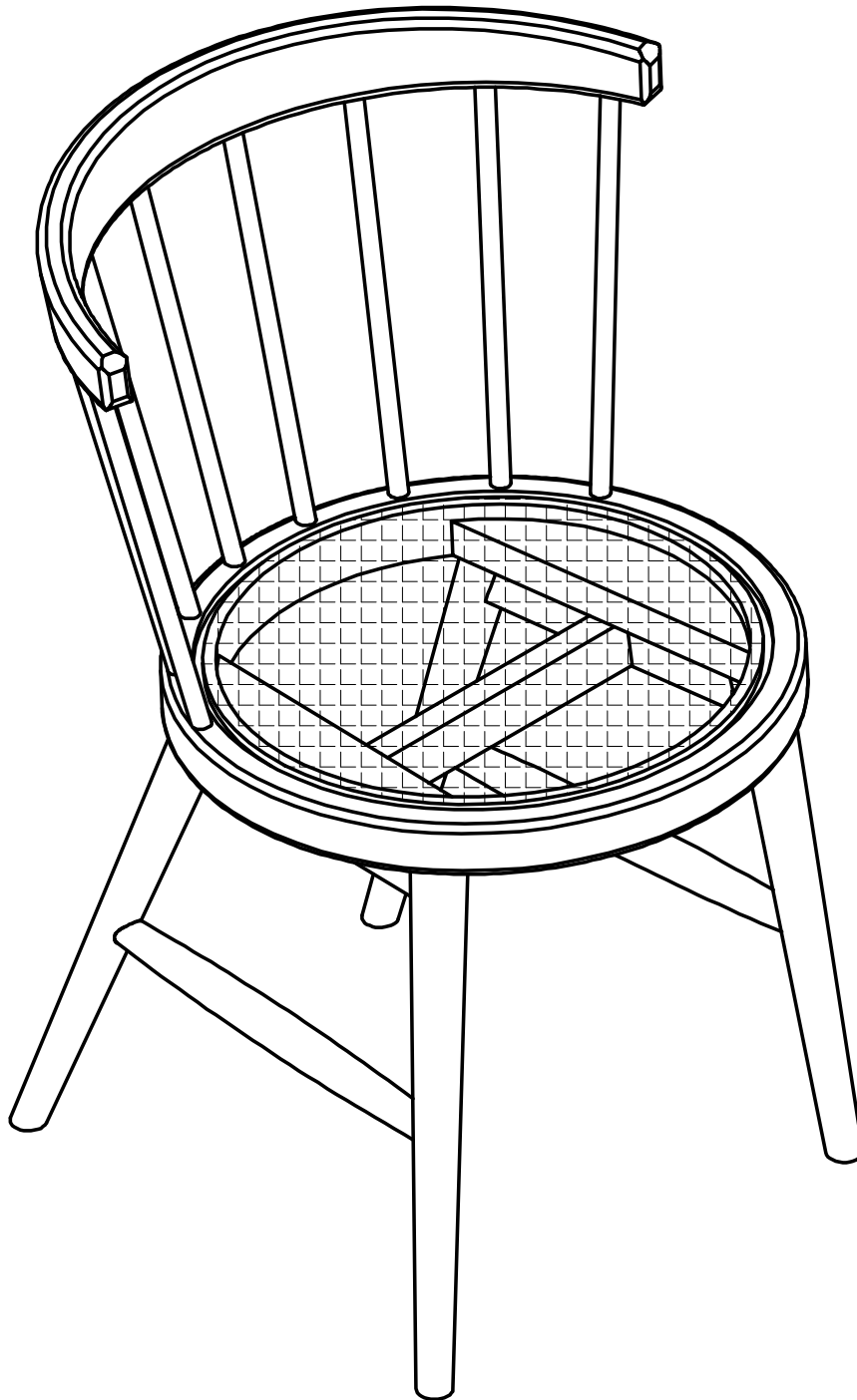


ASSEMBLY INSTRUCTIONS

EEI-7350

V0.20.02.25



Questions? Contact us!

609.256.9000 • cs@modway.com

www.modway.com

***modway**

Let's get started!

*modway



Read through all of the instructions before starting



Approx. 20 minutes assembly time



2 people recommended for assembly



Care instructions are listed in the last step of this manual



Make sure you have all parts and components before discarding any packing materials

Only use hand tools to assemble this item. Do not use power tools. Do not tighten bolts or screws completely until all hardware is lined up and inserted into the holes.

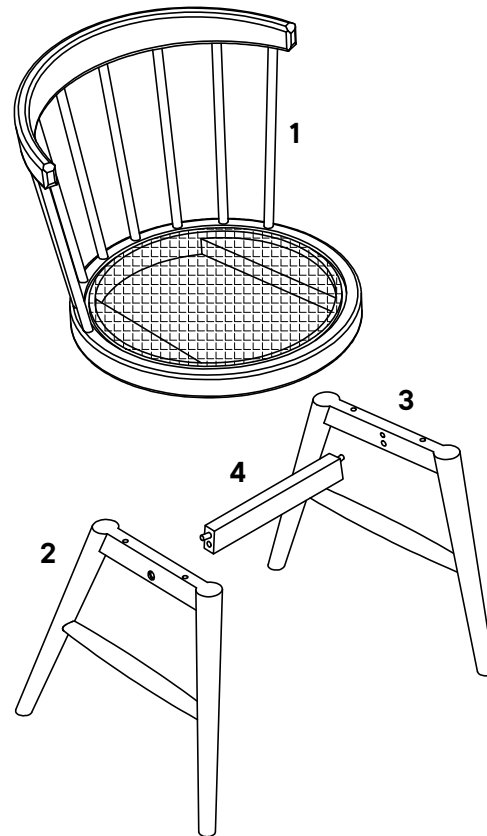
Do not over-tighten screws and bolts to avoid stripping the hardware or cracking the item.

Assemble your item on a flat, carpeted area, with plenty of space to work. This will prevent damage and scratches to your floors or the item while you're assembling the product.

Keep all components and packaging out of reach of children or animals to avoid risk of choking or suffocation.

Furniture components:

1	Chair Seat	x1
2	Left Leg	x1
3	Right Leg	x1
4	Stretcher	x1



Provided hardware:

A		Bolt 1/4 x 50mm	x4
B		Bolt 1/4 x 60mm	x2
C		Cross Nut 1/4 x 13mm	x2
D		Allen Key	x1

What you need:

Phillips Head Screwdriver
Phillips

Wait!

Missing parts or hardware? Need assistance?
Contact us before returning your item. We're here to help!
609.256.9000 • cs@modway.com

Step 1

HARDWARE

A Bolt 1/4 x 50mm x2

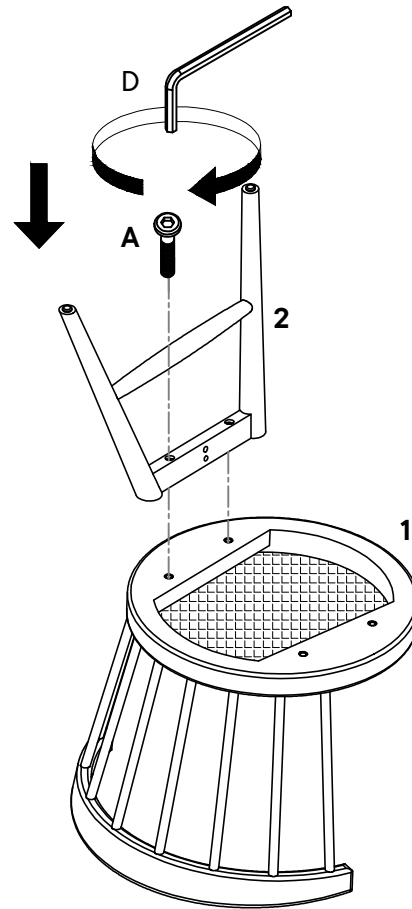
COMPONENTS

1 Chair Seat x1

2 Left Leg x1

TOOLS

D Allen Key x1

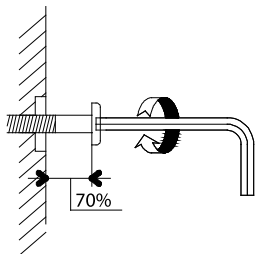


Step 2

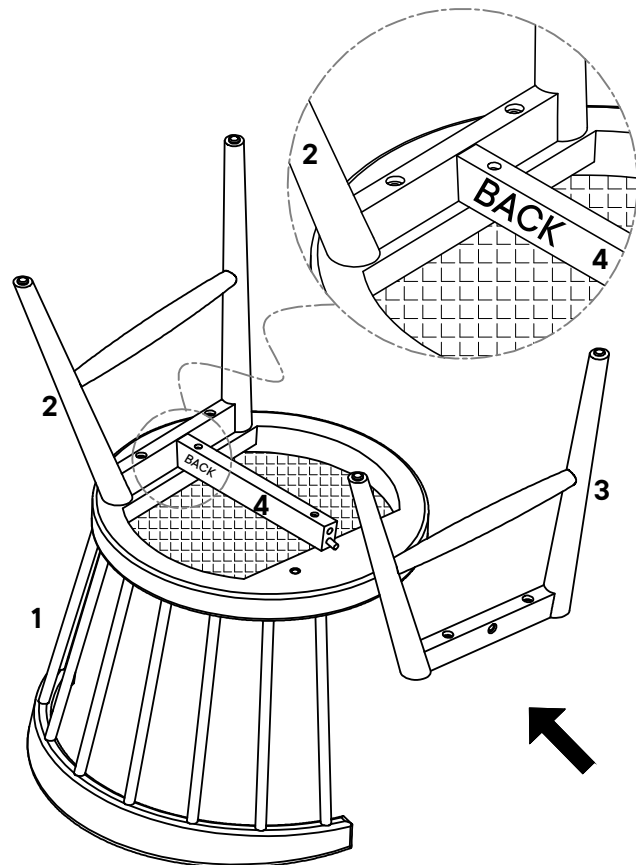
COMPONENTS

3 Right Leg x1

4 Stretcher x1



NOTE : Do not fully tighten the bolt



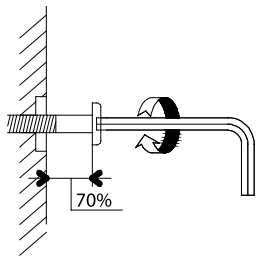
Step 3

HARDWARE

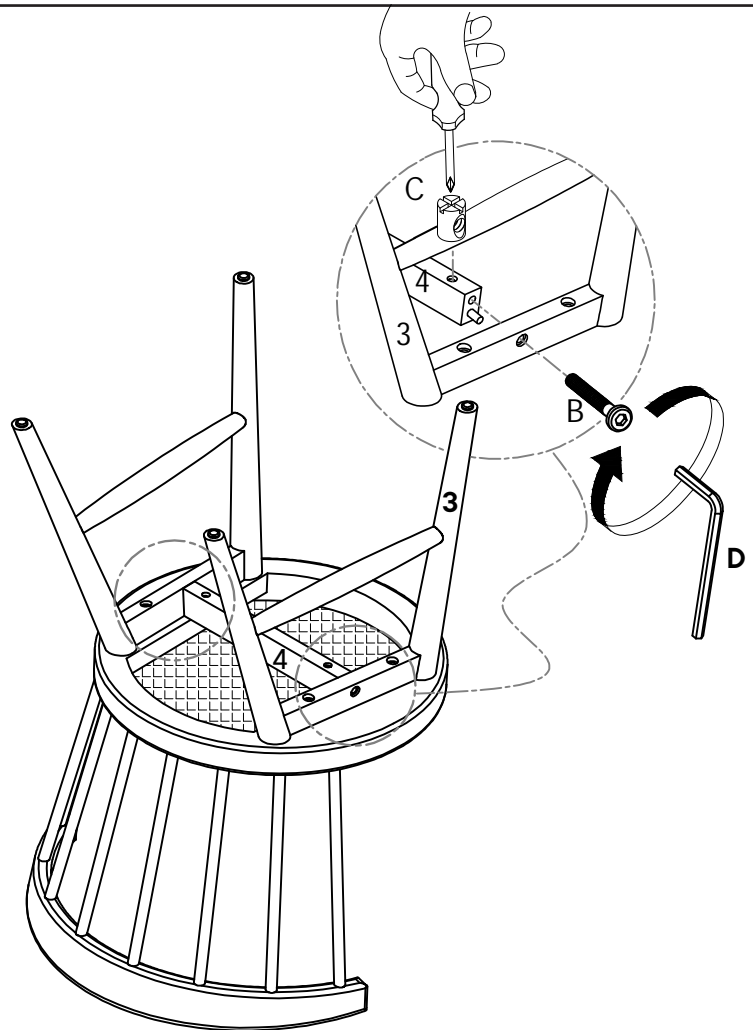
- B** Bolt 1/4 x 60mm x2
- C** Cross Nut 1/4 x 13mm x2

TOOLS

- D** Allen Key x1



NOTE : Do not fully tighten the bolt



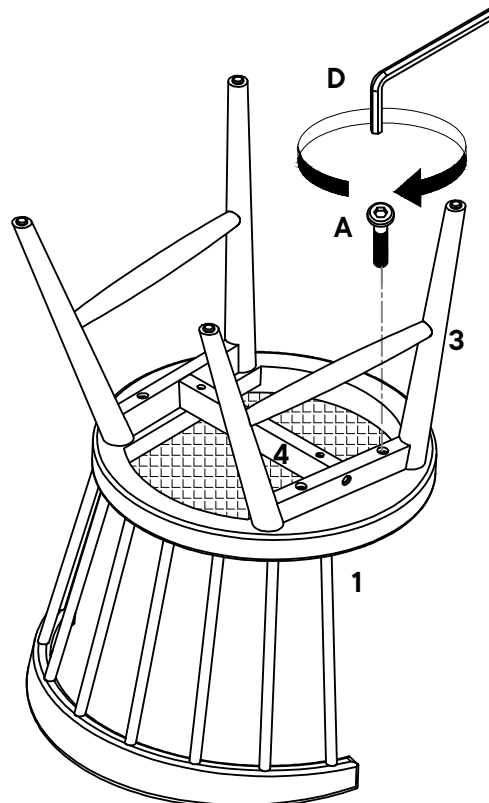
Step 4

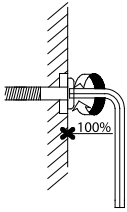
HARDWARE

- A** Bolt 1/4 x 50mm x2

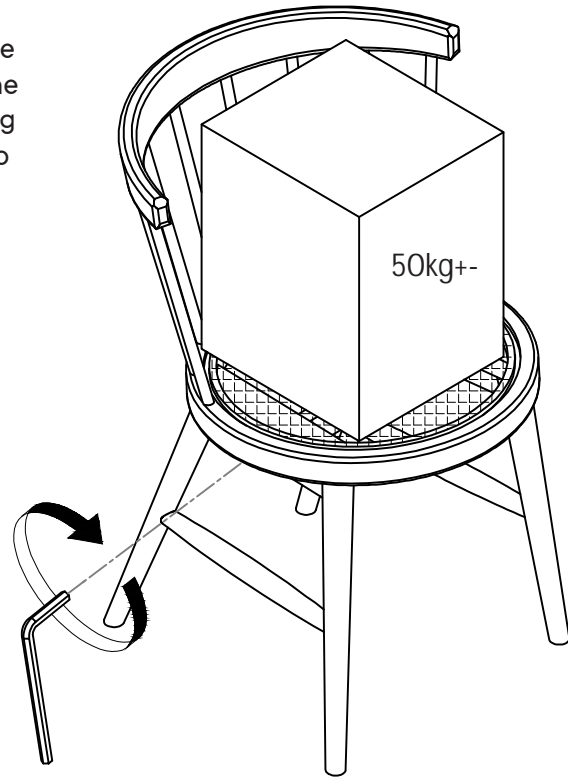
TOOLS

- D** Allen Key x1





NOTE : To assist with leveling the chair, place a heavy object or have an adult sit on the Chair Seat (1) to pressure the chair for leveling and fully tighten all bolts with Allen Key (D) to secure all legs.



Great job!

Your new chair is complete.

♥ CARING FOR YOUR ITEM

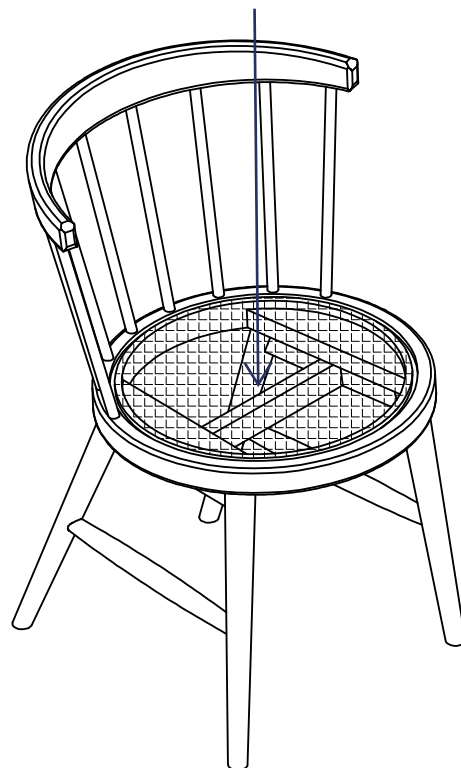
Indoor use only.

Not contract grade.

Clean using a non-abrasive cloth and a mild cleaner.

Never use harsh chemicals, as they could damage the finish or integrity of the item.

Max 181Kgs
(400Lbs)



CONNECT WITH US!   

Tag us @modway_furniture and #modway for a chance to be featured.