

ASSEMBLY INSTRUCTIONS

Chair

EI-7329/7337 / V0.05.15.25

modway



Questions? Contact us!

609.256.9000

cs@modway.com

Welcome.

Let's get started.

Before you begin, here are some things to keep in mind:

Assembly will take most people **about 30 minutes**. Consider having a friend help you!

Only use hand tools to assemble this item. Do not use power tools. Do not tighten bolts or screws completely until all hardware is lined up and inserted into the holes.

Read through all of the instructions before starting. Make sure you have all parts and components before discarding any packing materials.

Do not over-tighten screws and bolts to avoid stripping the hardware or cracking the item.

Assemble your item on a flat, carpeted area, with plenty of space to work. This will prevent damage and scratches to your floors or the item while you're assembling the product.

Keep all components and packaging out of reach of children or animals to avoid risk of choking or suffocation.




Care instructions are listed in the last step of this manual.

WAIT!

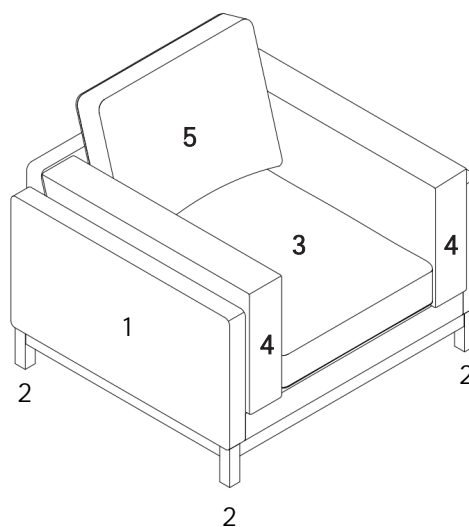
Missing parts or hardware? Need assistance?
Contact us before returning your item.
We're here to help!



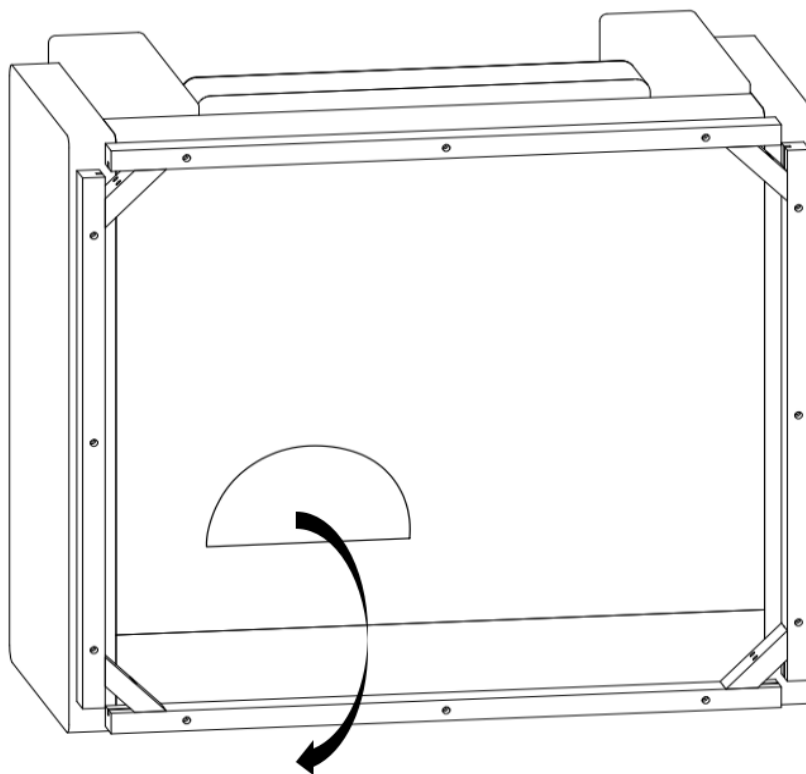
HARDWARE INCLUDED IN THE BOX:

A		Flat Washer	x8
B		Bolt M6 x 70mm	x8
C		Allen Key	x1

FURNITURE COMPONENTS:



1	Chair	x1
2	Leg	x4
3	Seat Cushion	x1
4	Arm Cushion	x2
5	Back Cushion	x1



4 Legs + Hardware package

STEP 02

HARDWARE

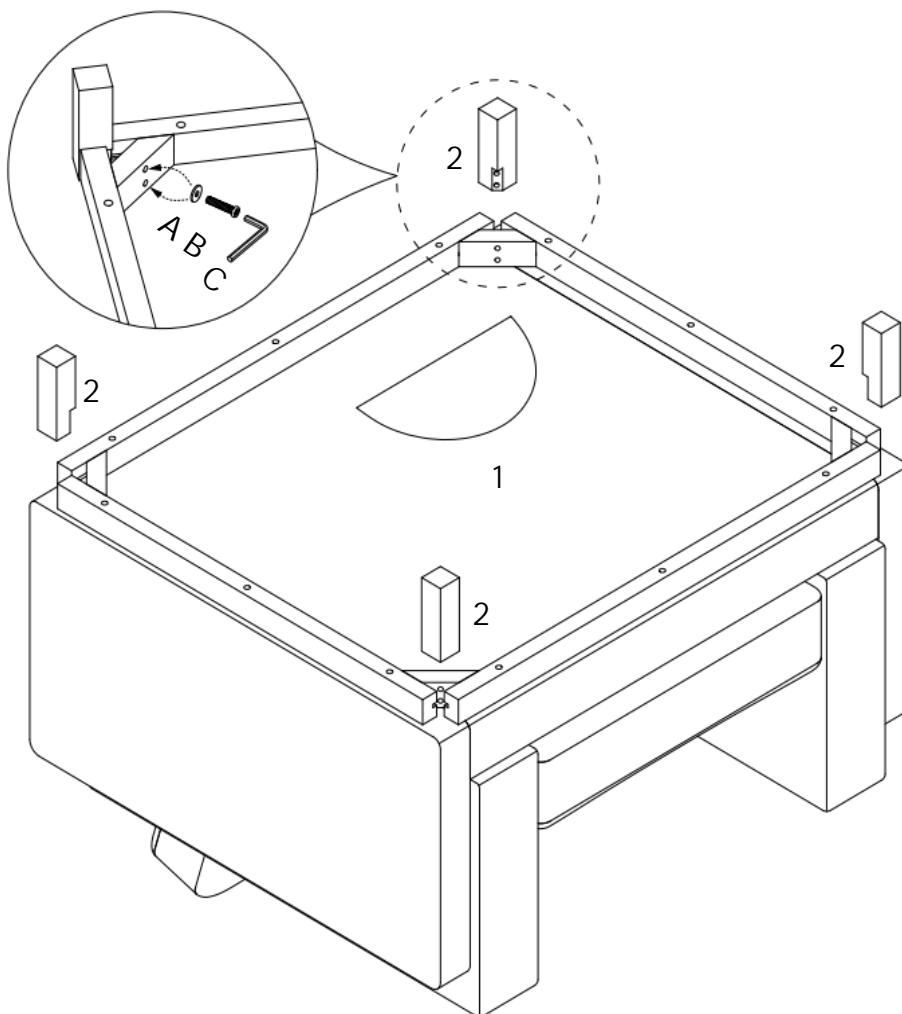
- A** Flat Washer x8
- B** Bolt M6 x 70mm x8

COMPONENTS

- 1** Chair x1
- 2** Leg x4

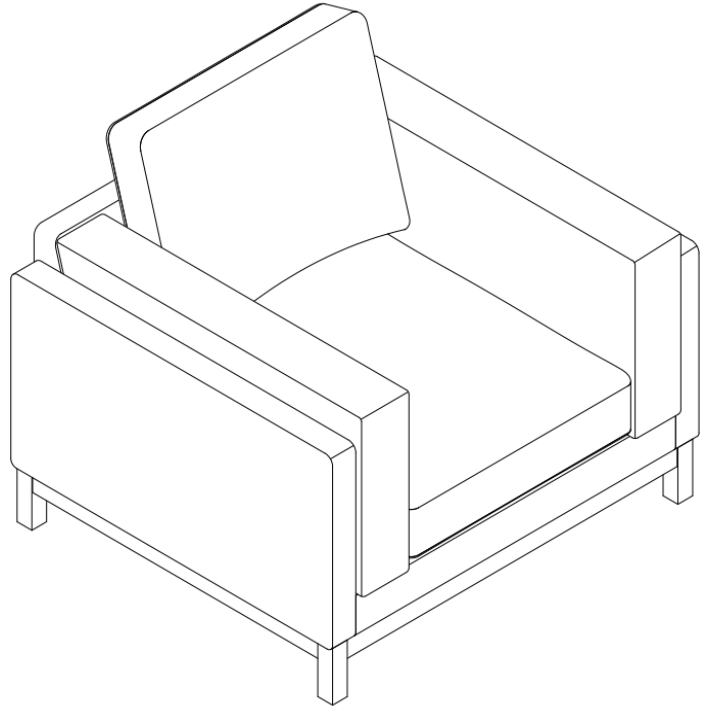
TOOLS

- C** Allen Key x1



Great job!

Your new sofa is complete.



CARING FOR YOUR ITEM

- Indoor use only.
- Not contract grade.
- Clean using a non-abrasive cloth and a mild cleaner.
- Never use harsh chemicals, as they could damage the finish or integrity of the item.



CONNECT WITH US!

Tag us [@modway_furniture](#) and [#modway](#) for a chance to be featured.

modway



Questions? Contact us!
609.256.9000
cs@modway.com