

ASSEMBLY INSTRUCTIONS

Sling Chair

EEl-7324 / V1.04.30.25

modway



Questions? Contact us!

609.256.9000

cs@modway.com

Welcome.

Let's get started.

Before you begin, here are some things to keep in mind:

Assembly will take most people **about 30 minutes**. Consider having a friend help you!

Only use hand tools to assemble this item. Do not use power tools. Do not tighten bolts or screws completely until all hardware is lined up and inserted into the holes.

Read through all of the instructions before starting. Make sure you have all parts and components before discarding any packing materials.

Do not over-tighten screws and bolts to avoid stripping the hardware or cracking the item.

Assemble your item on a flat, carpeted area, with plenty of space to work. This will prevent damage and scratches to your floors or the item while you're assembling the product.

Keep all components and packaging out of reach of children or animals to avoid risk of choking or suffocation.



Care instructions are listed in the last step of this manual.

WAIT!

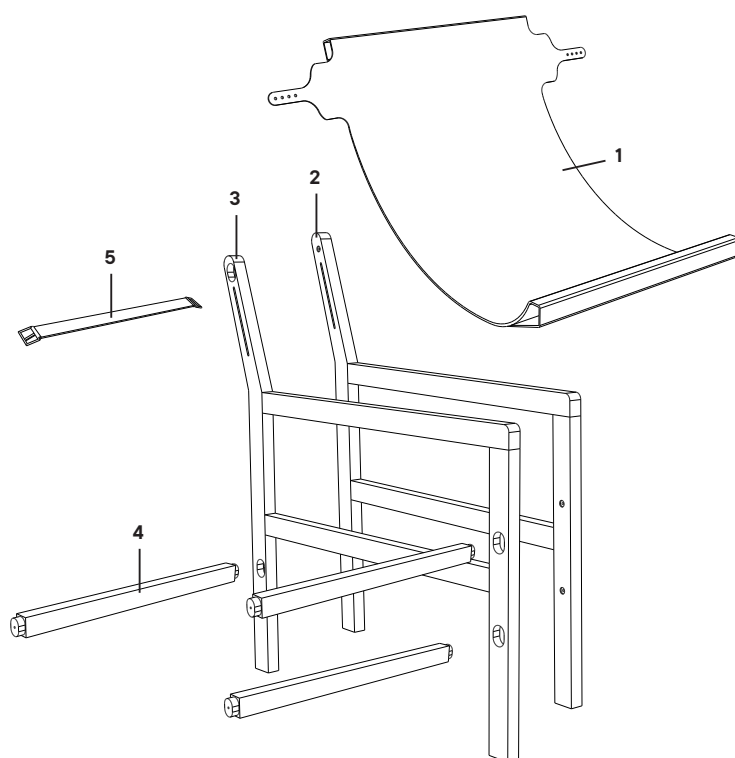
Missing parts or hardware? Need assistance?
Contact us before returning your item.
We're here to help!



HARDWARE INCLUDED IN THE BOX:

A		Bolt M6 x 45 mm	x8
B		Allen Key	x1

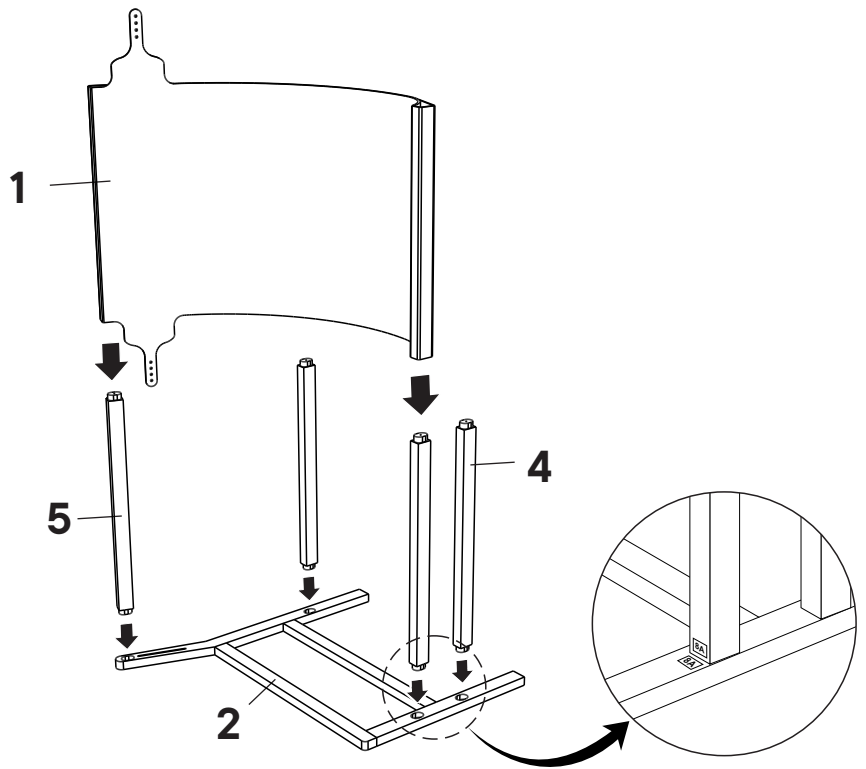
FURNITURE COMPONENTS:



1	Seat	x1
2	Left frame	x1
3	Right frame	x1
4	Leg Support	x3
5	Belt	x1

COMPONENTS

- ① Seat x1
- ② Left frame x1
- ④ Leg Support x3
- ⑤ Belt x1



STEP 02

COMPONENTS

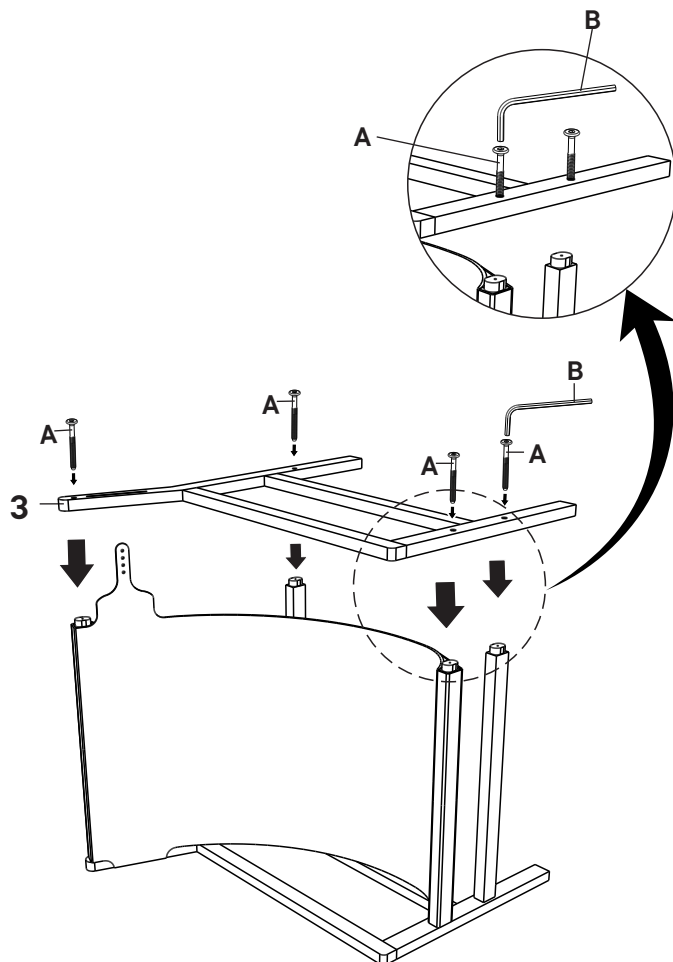
- ① Seat x1
- ② Left frame x1
- ③ Right frame x1
- ④ Leg Support x3

HARDWARE

- Ⓐ Bolt M6 x 45 mm x4

TOOLS

- Ⓑ Allen Key x1



COMPONENTS

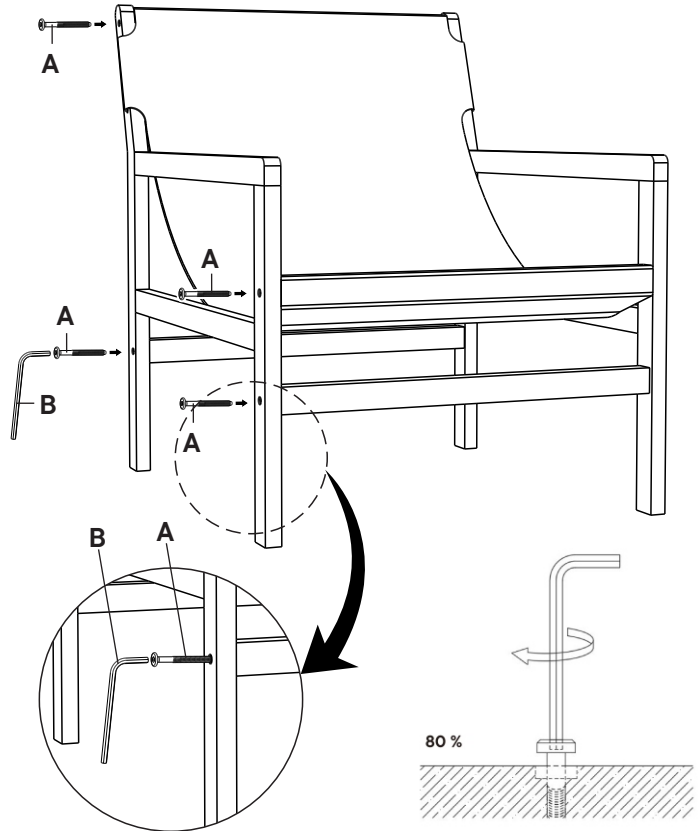
- 1 Seat x1
- 2 Left frame x1
- 3 Right frame x1
- 4 Leg Support x3

HARDWARE

- A Bolt M6 x 45 mm x8

TOOLS

- B Allen Key x1



STEP 04

COMPONENTS

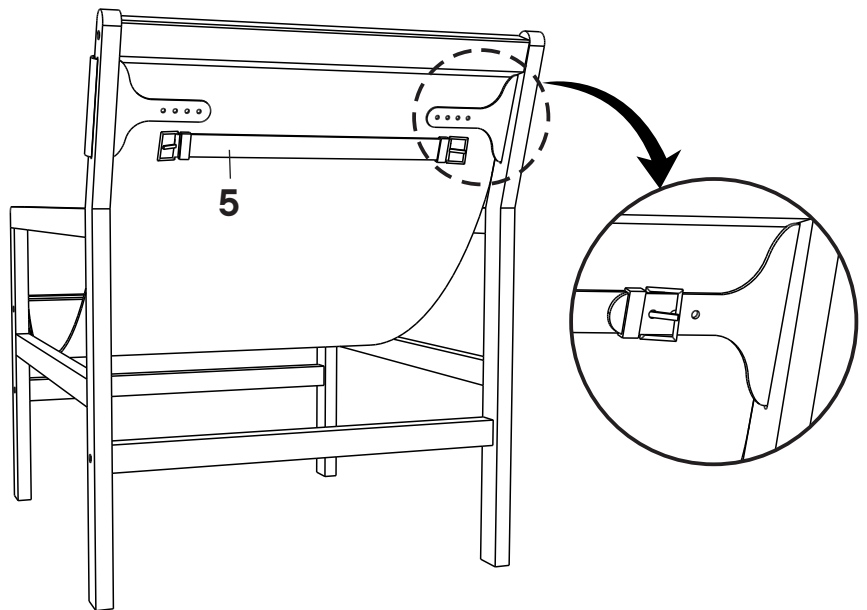
- 1 Seat x1
- 2 Left frame x1
- 3 Right frame x1
- 4 Leg Support x3
- 5 Belt x1

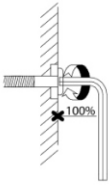
HARDWARE

- A Bolt M6 x 45 mm x8

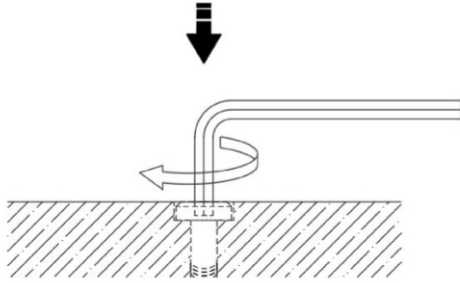
TOOLS

- B Allen Key x1

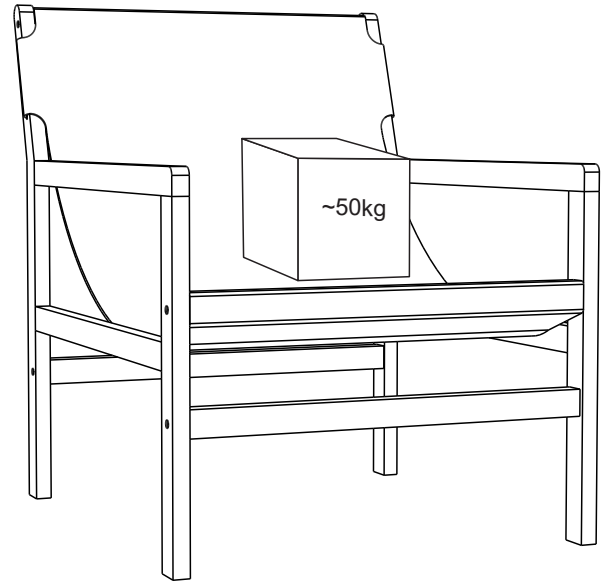




NOTE : To assist with leveling the chair, place a heavy object (~50kg) or have an adult sit on the Chair to pressure the stool for leveling and fully tighten all bolts with Allen Key (B) to secure all legs.



Note : Fully tighten all bolts

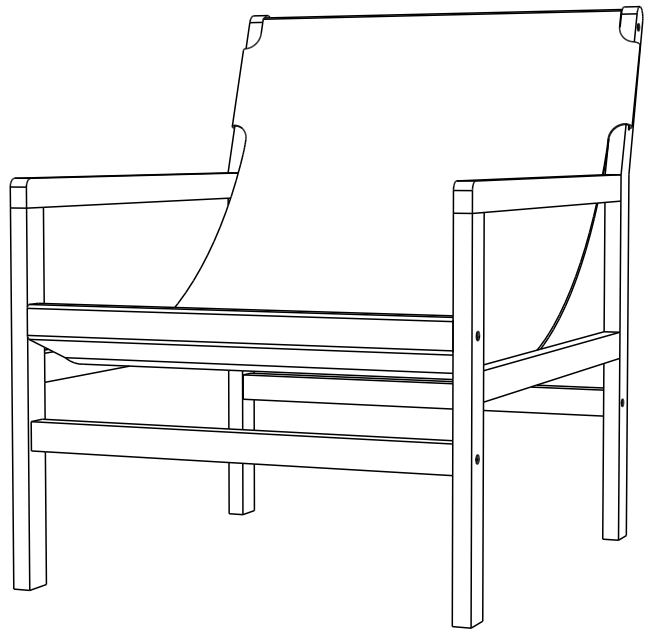


Great job!

Your new Sling Chair is complete.

CARING FOR YOUR ITEM

- Depending on use, it may be necessary to tighten the hardware from time to time, so please save the tools that have been provided.
- Not contract grade.
- Clean using a non-abrasive cloth and a mild cleaner.
- Retain the rich wood color by occasionally sanding lightly and applying a teak cleaner and protectant. The oils nourish and help restore the original look.



CONNECT WITH US!

Tag us [@modway_furniture](#) and [#modway](#) for a chance to be featured.

modway



Questions? Contact us!
609.256.9000
cs@modway.com