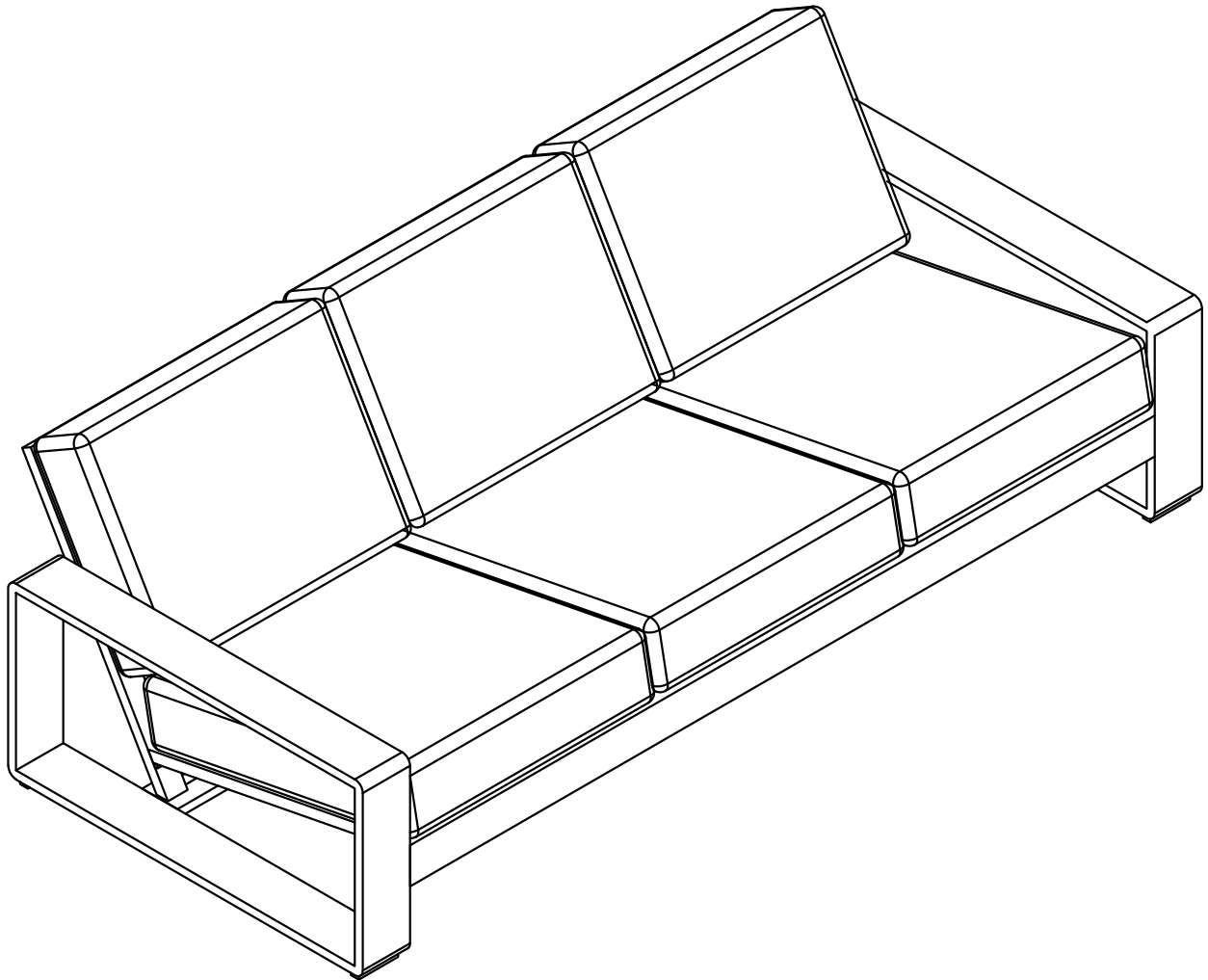


# ASSEMBLY INSTRUCTIONS

# EEI-7298/7302

VO.12.12.24



## Questions? Contact us!

609.256.9000 • [cs@modway.com](mailto:cs@modway.com)  
[www.modway.com](http://www.modway.com)

\*modway

# Let's get started!

\*modway



Read through all of the instructions before starting



Care instructions are listed in the last step of this manual



Approx. 30 minutes assembly time



Make sure you have all parts and components before discarding any packing materials



2 people recommended for assembly

**Only use hand tools to assemble this item.** Do not use power tools. Do not tighten bolts or screws completely until all hardware is lined up and inserted into the holes.

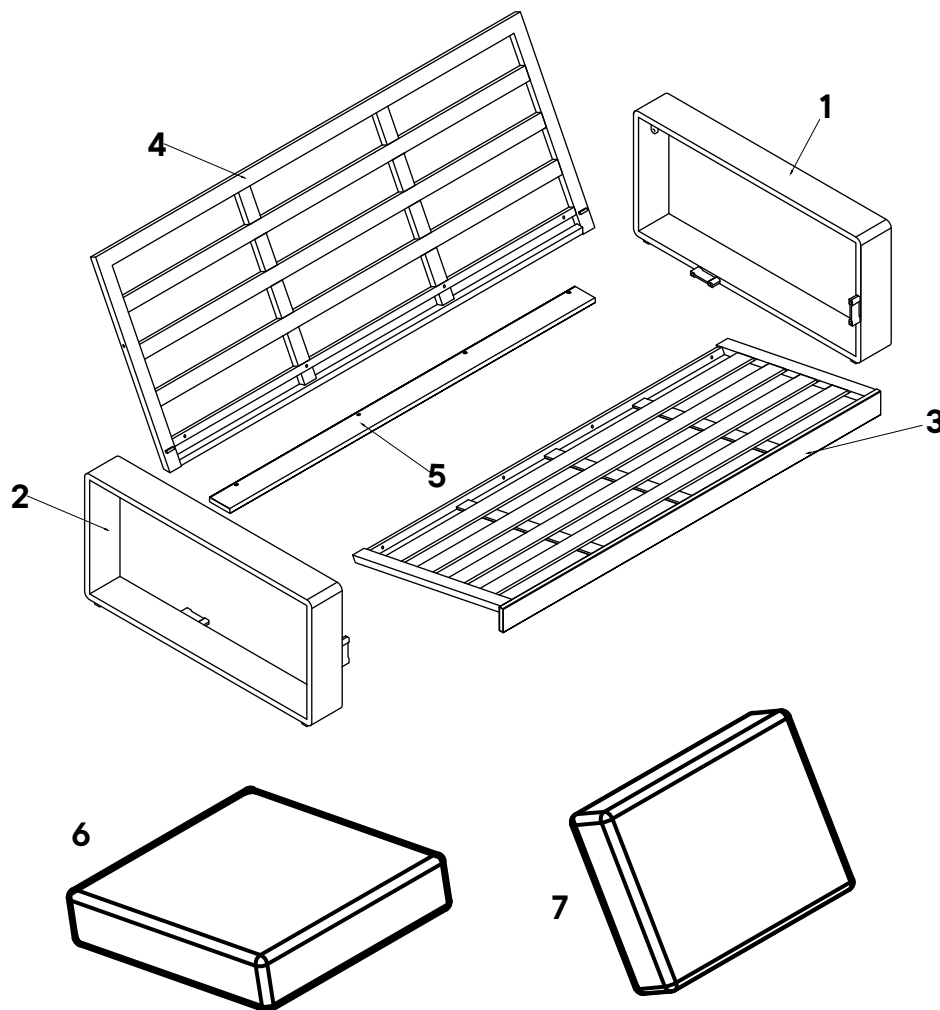
Do not over-tighten screws and bolts to avoid stripping the hardware or cracking the item.

Assemble your item on a flat, carpeted area, with plenty of space to work. This will prevent damage and scratches to your floors or the item while you're assembling the product.

Keep all components and packaging out of reach of children or animals to avoid risk of choking or suffocation.

## Furniture components:

1	Right Frame	x1
2	Left Frame	x1
3	Seat Frame	x1
4	Back Frame	x1
5	Bottom Rail	x1
6	Seat Cushion	x3
7	Back Cushion	x3



## Provided hardware:

A		Bolt M6 x 25mm	x4
B		Bolt M6 x 35mm	x10
C		Washer	x2
D		Allen Wrench 4mm	x1

**Wait!**

**Missing parts or hardware? Need assistance?**

Contact us before returning your item. We're here to help!  
609.256.9000 • [cs@modway.com](mailto:cs@modway.com)

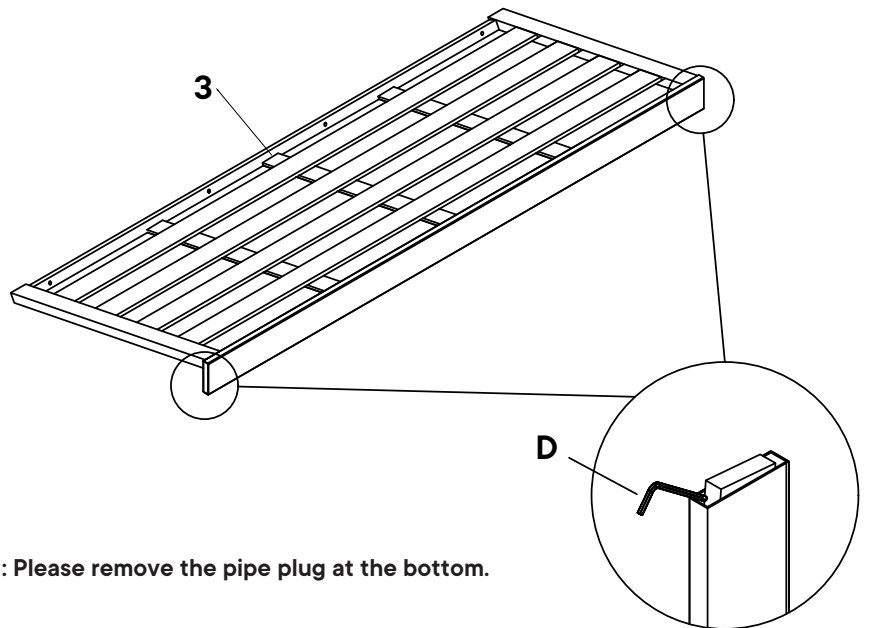
# Step 1

## HARDWARE

**D** Allen Wrench 4mm x1

## COMPONENTS

**3** Seat Frame x1



Note : Please remove the pipe plug at the bottom.

# Step 2

## HARDWARE

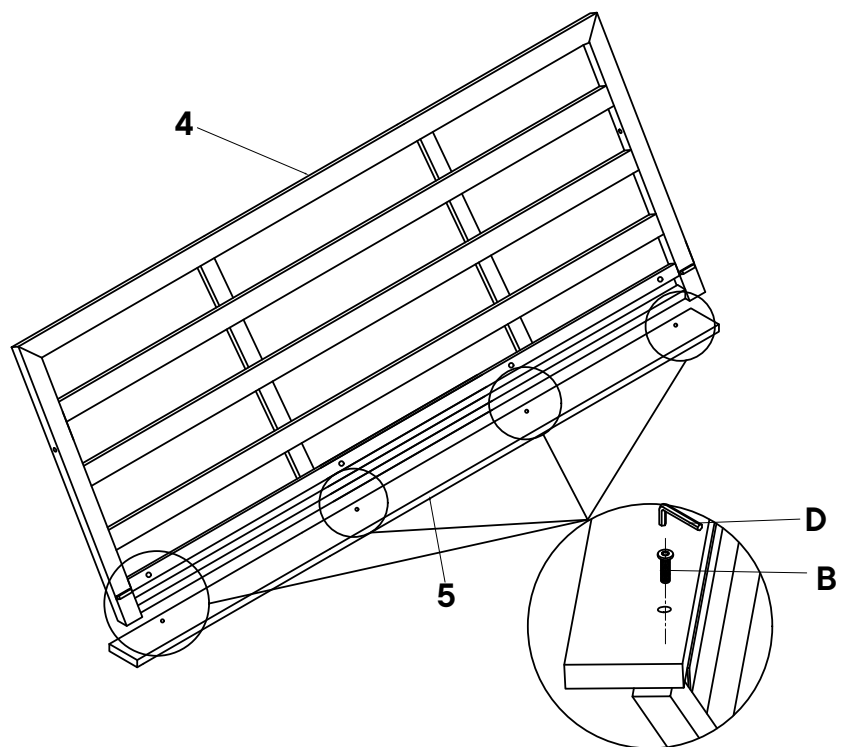
**B** Bolt M6 x 35mm x4

**D** Allen Wrench 4mm x1

## COMPONENTS

**4** Back Frame x1

**5** Bottom Rail x1



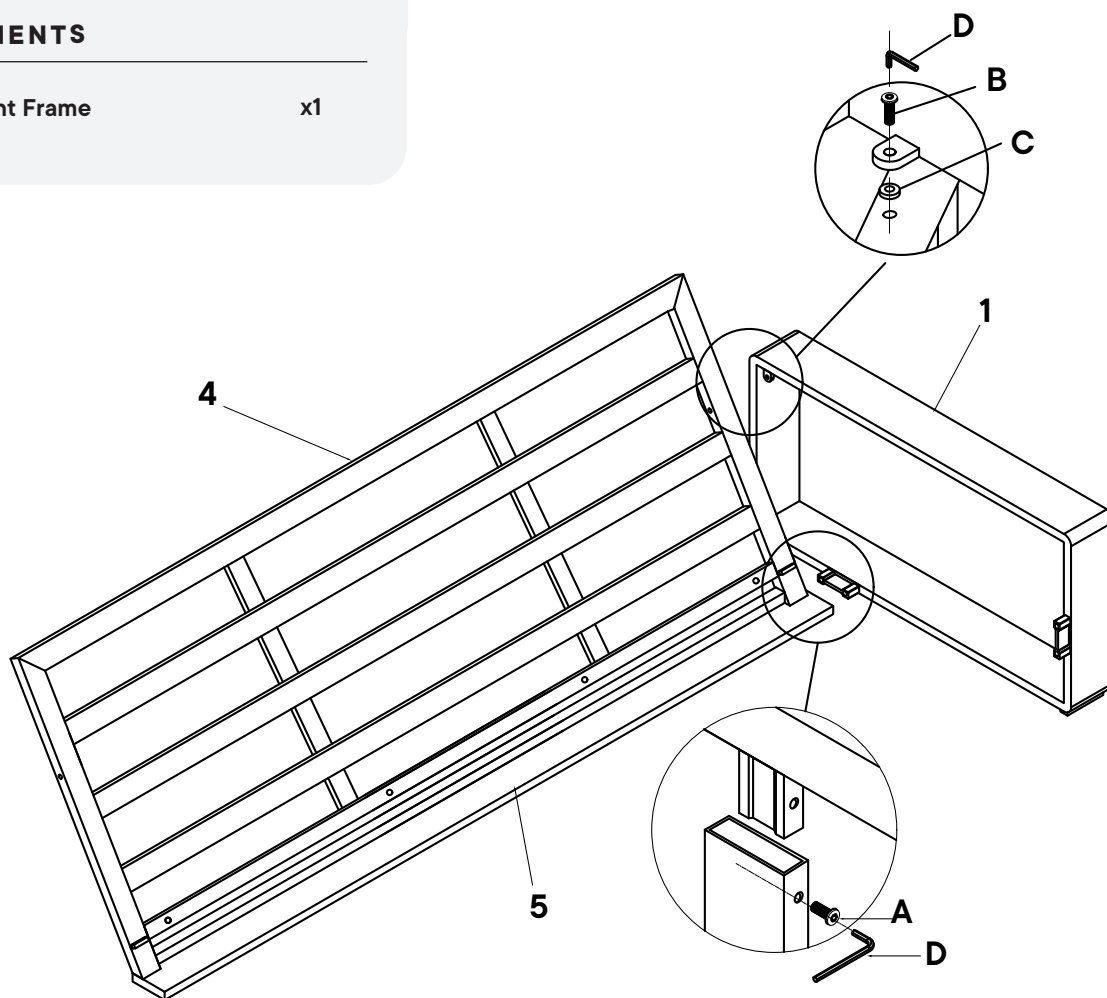
# Step 3

## HARDWARE

<b>A</b>	Bolt M6 x 25mm	x1
<b>B</b>	Bolt M6 x 35mm	x1
<b>C</b>	Washer	x1
<b>D</b>	Allen Wrench 4mm	x1

## COMPONENTS

<b>1</b>	Right Frame	x1
----------	-------------	----



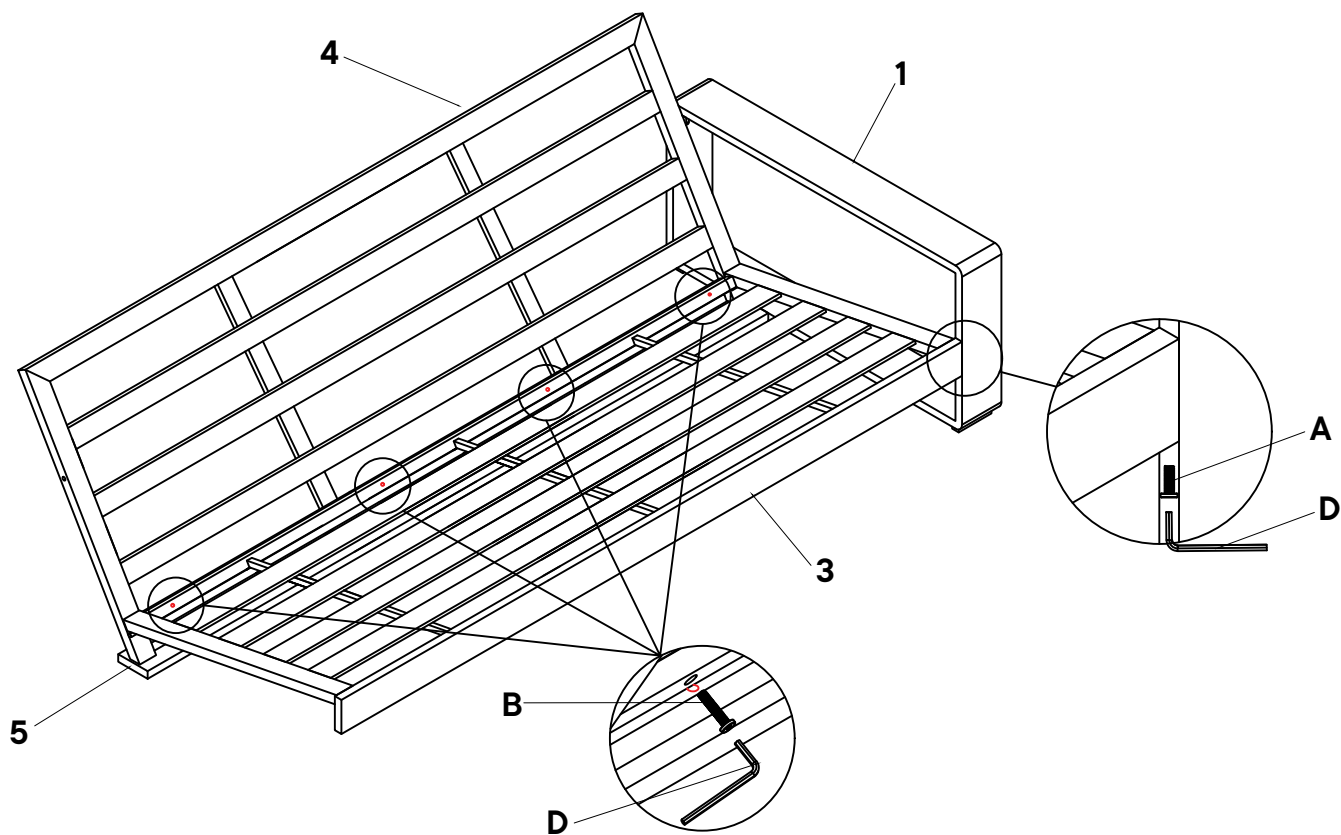
# Step 4

## HARDWARE

- A** Bolt M6 x 25mm x1
- B** Bolt M6 x 35mm x4
- D** Allen Wrench x1

## COMPONENTS

- 3** Seat Frame x1



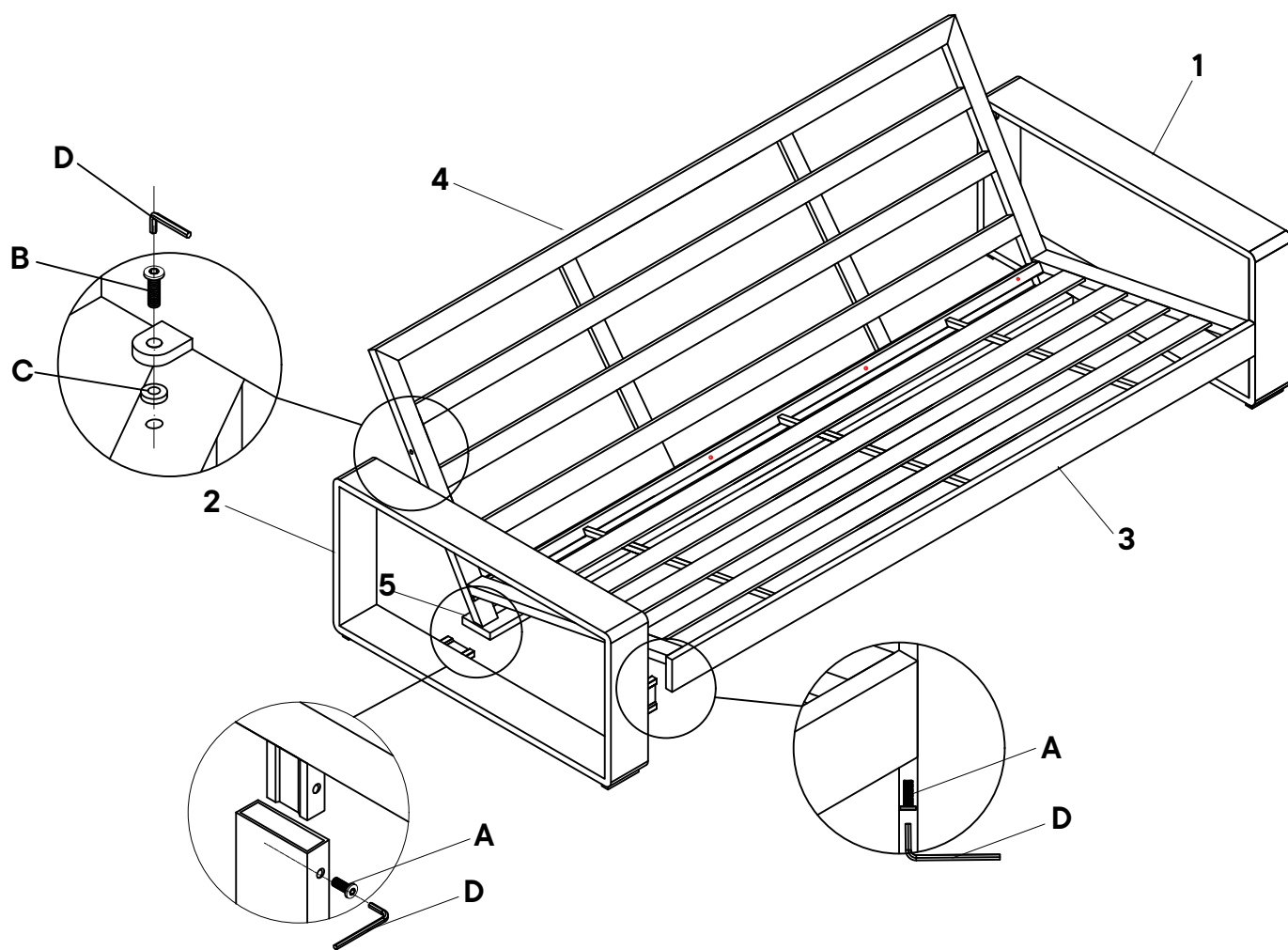
# Step 5

## HARDWARE

<b>A</b>	Bolt M6 x 25mm	x2
<b>B</b>	Bolt M6 x 35mm	x1
<b>C</b>	Washer	x1
<b>D</b>	Allen Wrench 4mm	x1

## COMPONENTS

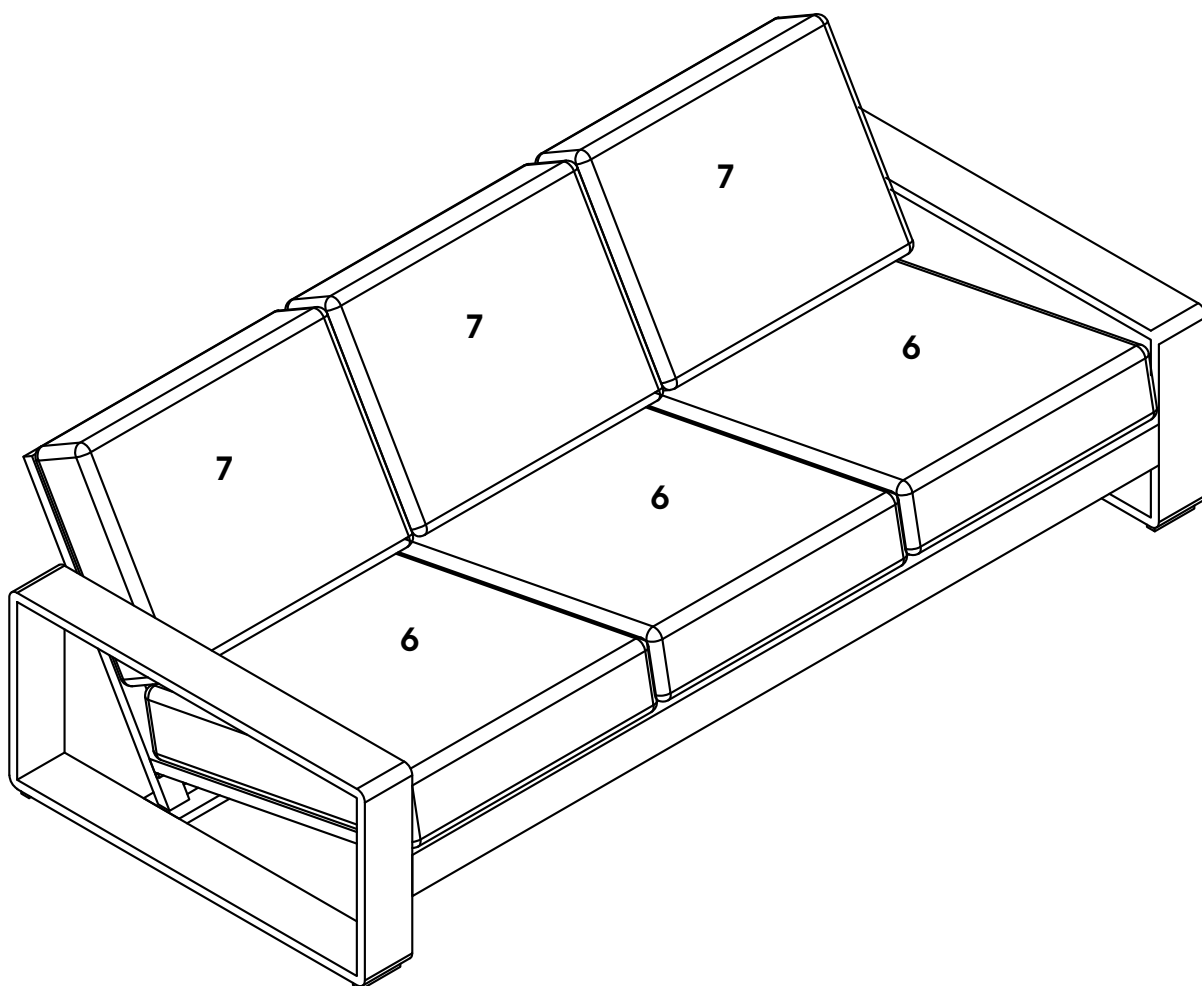
<b>2</b>	Left Frame	x1
----------	------------	----



# Step 6

## COMPONENTS

- |   |              |    |
|---|--------------|----|
| 6 | Seat Cushion | x3 |
| 7 | Back Cushion | x3 |



# Great job!

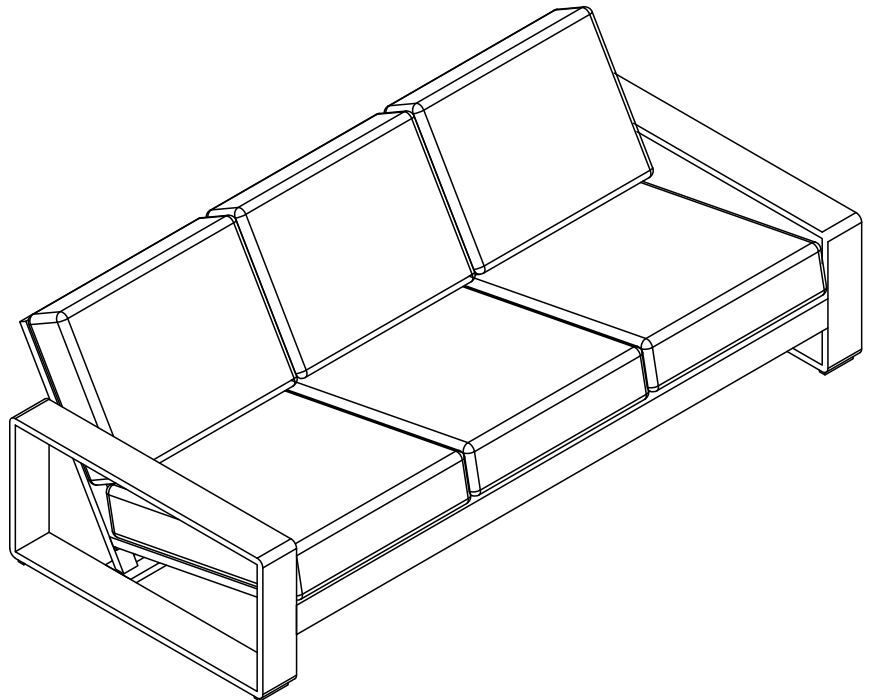
Your new three seater sofa is complete.

## ♥ CARING FOR YOUR ITEM

Depending on use, it may be necessary to tighten the hardware from time to time, so please save the tools that have been provided.

Not contract grade.

Clean using a non-abrasive cloth and a mild cleaner.



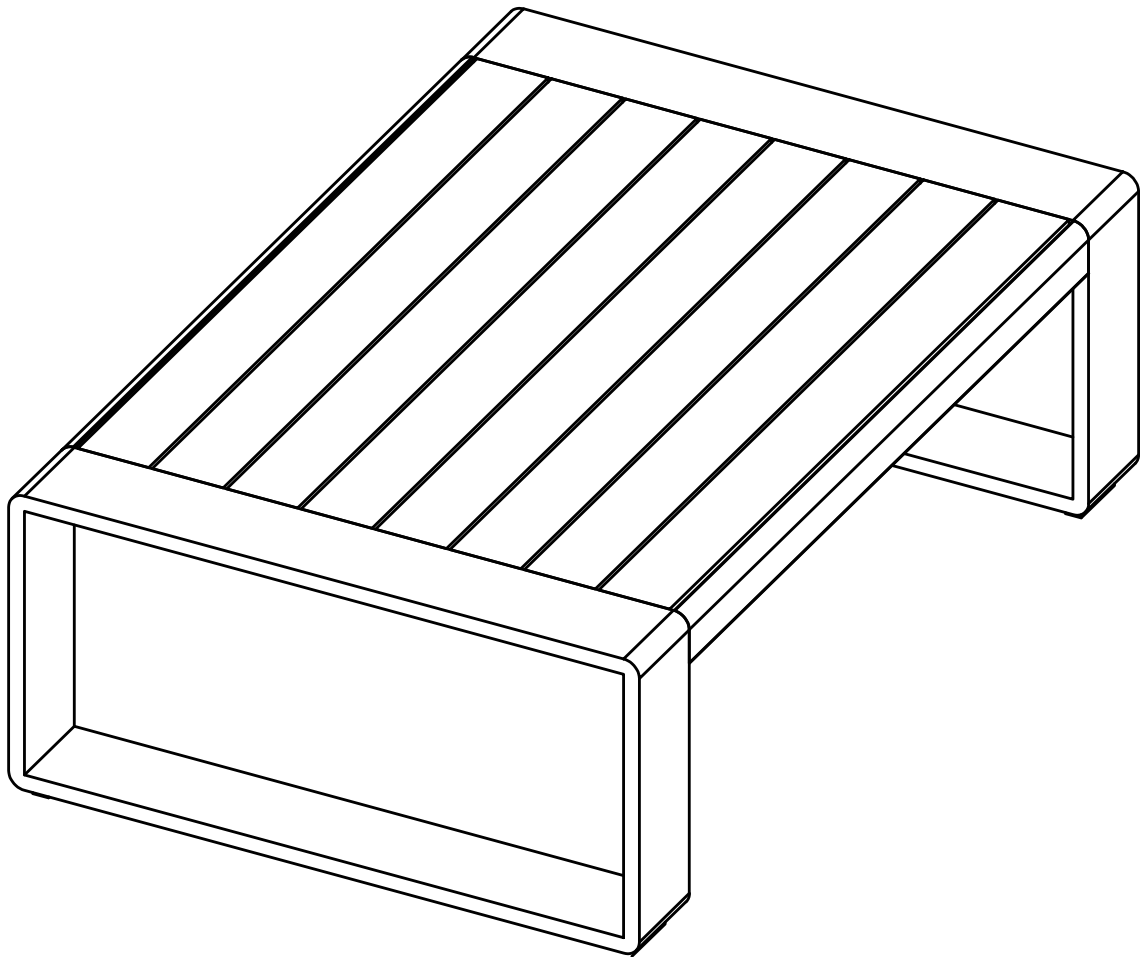
CONNECT WITH US!   

Tag us [@modway\\_furniture](#) and [#modway](#) for a chance to be featured.

# ASSEMBLY INSTRUCTIONS

# EEI-7299/7303

VO.12.12.24



**Questions? Contact us!**

609.256.9000 • [cs@modway.com](mailto:cs@modway.com)  
[www.modway.com](http://www.modway.com)

**\*modway**

# Let's get started!

\*modway



Read through all of the instructions before starting



Care instructions are listed in the last step of this manual



Approx. 30 minutes assembly time



Make sure you have all parts and components before discarding any packing materials



2 people recommended for assembly

**Only use hand tools to assemble this item.** Do not use power tools. Do not tighten bolts or screws completely until all hardware is lined up and inserted into the holes.

Do not over-tighten screws and bolts to avoid stripping the hardware or cracking the item.




Assemble your item on a flat, carpeted area, with plenty of space to work. This will prevent damage and scratches to your floors or the item while you're assembling the product.

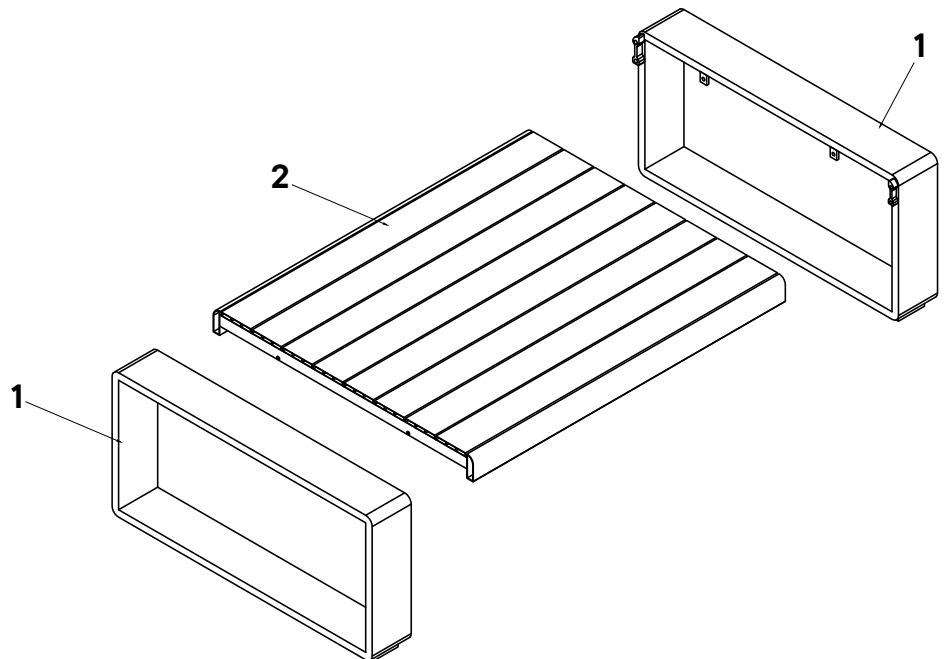
Keep all components and packaging out of reach of children or animals to avoid risk of choking or suffocation.

## Furniture components:

1	Frame	x2
2	Table Panel	x1

## Provided hardware:

A		Bolt M6 x 25mm	x4
B		Bolt M6 x 15mm	x4
C		Allen Wrench 4mm	x1



**Wait!**

**Missing parts or hardware? Need assistance?**

Contact us before returning your item. We're here to help!  
609.256.9000 • [cs@modway.com](mailto:cs@modway.com)

# Step 1

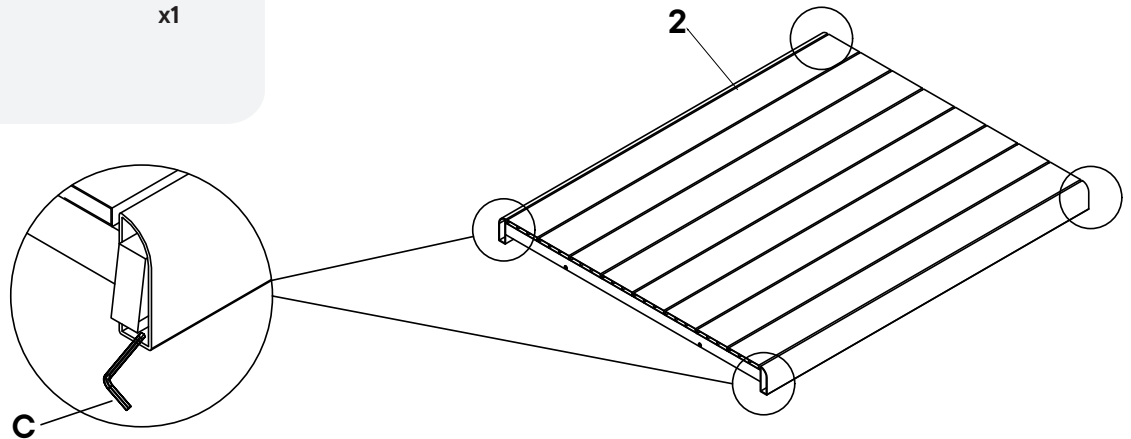
## HARDWARE

- C** Allen Wrench 4mm x1

## COMPONENTS

- 2** Table Panel x1

Note : Please remove the pipe plug at the bottom.



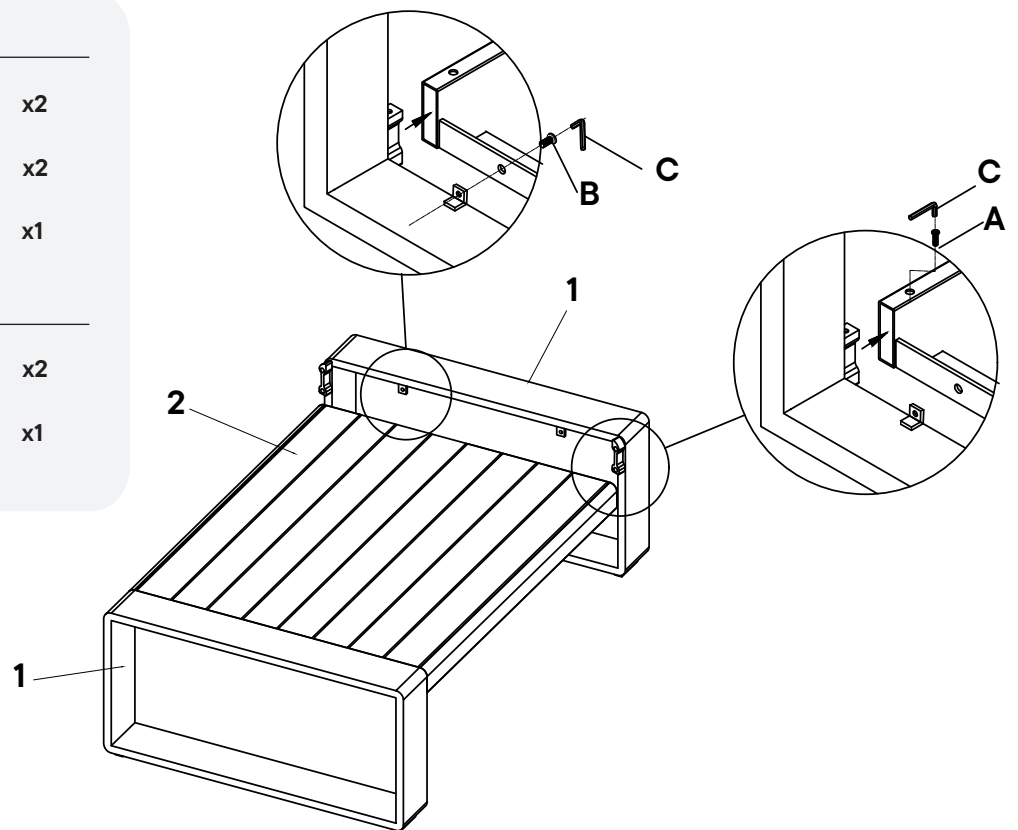
# Step 2

## HARDWARE

- A** Bolt M6 x 25mm x2
- B** Bolt M6 x 15mm x2
- C** Allen Wrench 4mm x1

## COMPONENTS

- 1** Frame x2
- 2** Table Panel x1



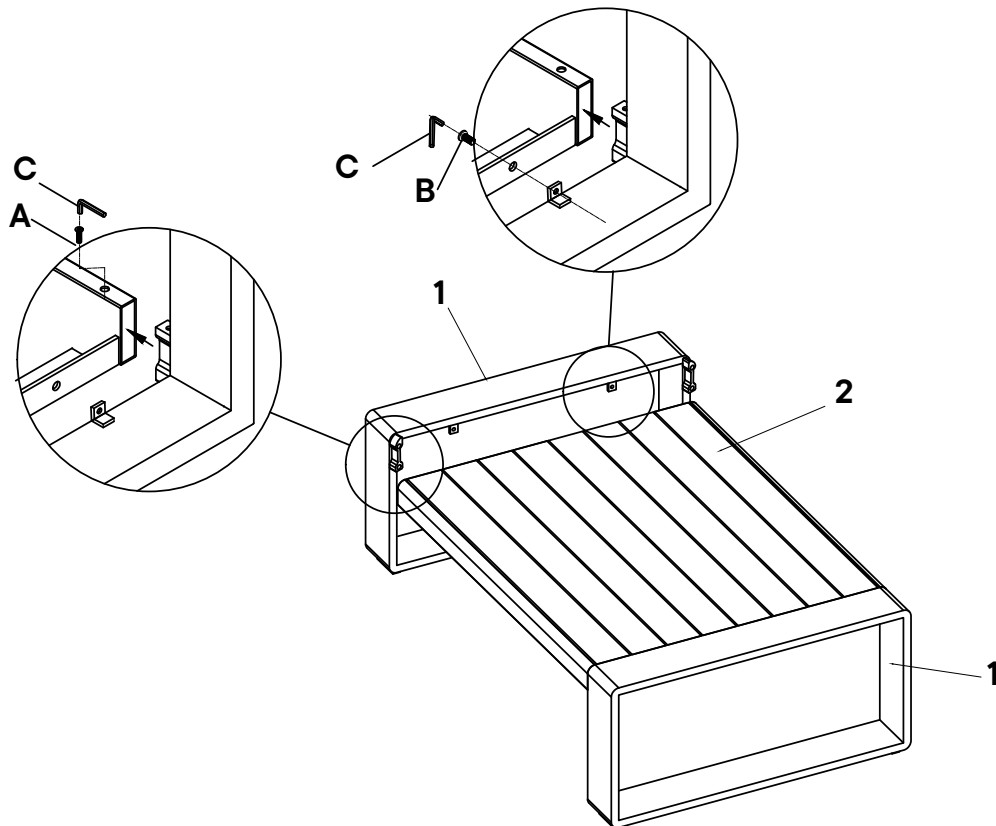
# Step 3

## HARDWARE

<b>A</b>	Bolt M6 x 25mm	x2
<b>B</b>	Bolt M6 x 15mm	x2
<b>C</b>	Allen Wrench 4mm	x1

## COMPONENTS

<b>1</b>	Frame	x2
<b>2</b>	Table Panel	x1



# Great job!

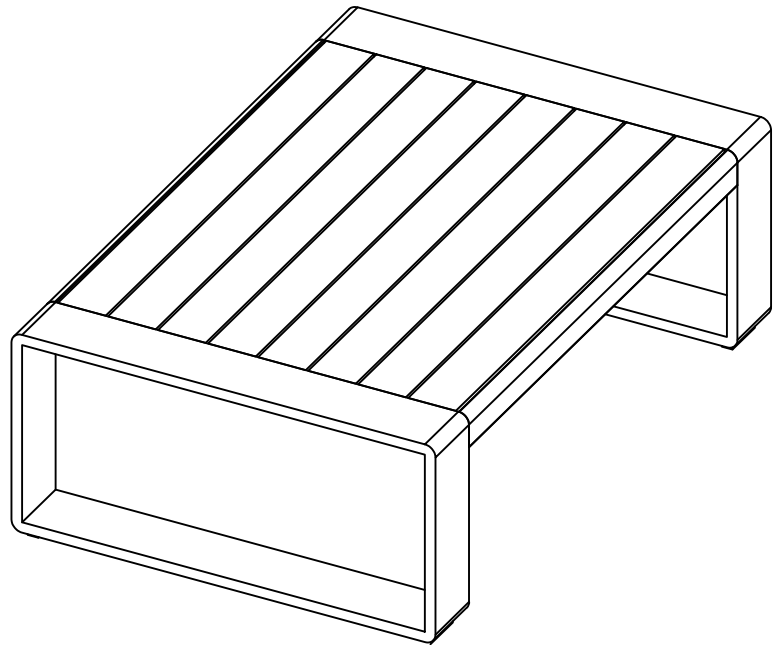
Your new Coffee Table is complete.

## ♥ CARING FOR YOUR ITEM

Depending on use, it may be necessary to tighten the hardware from time to time, so please save the tools that have been provided.

Not contract grade.

Clean using a non-abrasive cloth and a mild cleaner.



CONNECT WITH US!   

Tag us [@modway\\_furniture](#) and [#modway](#) for a chance to be featured.