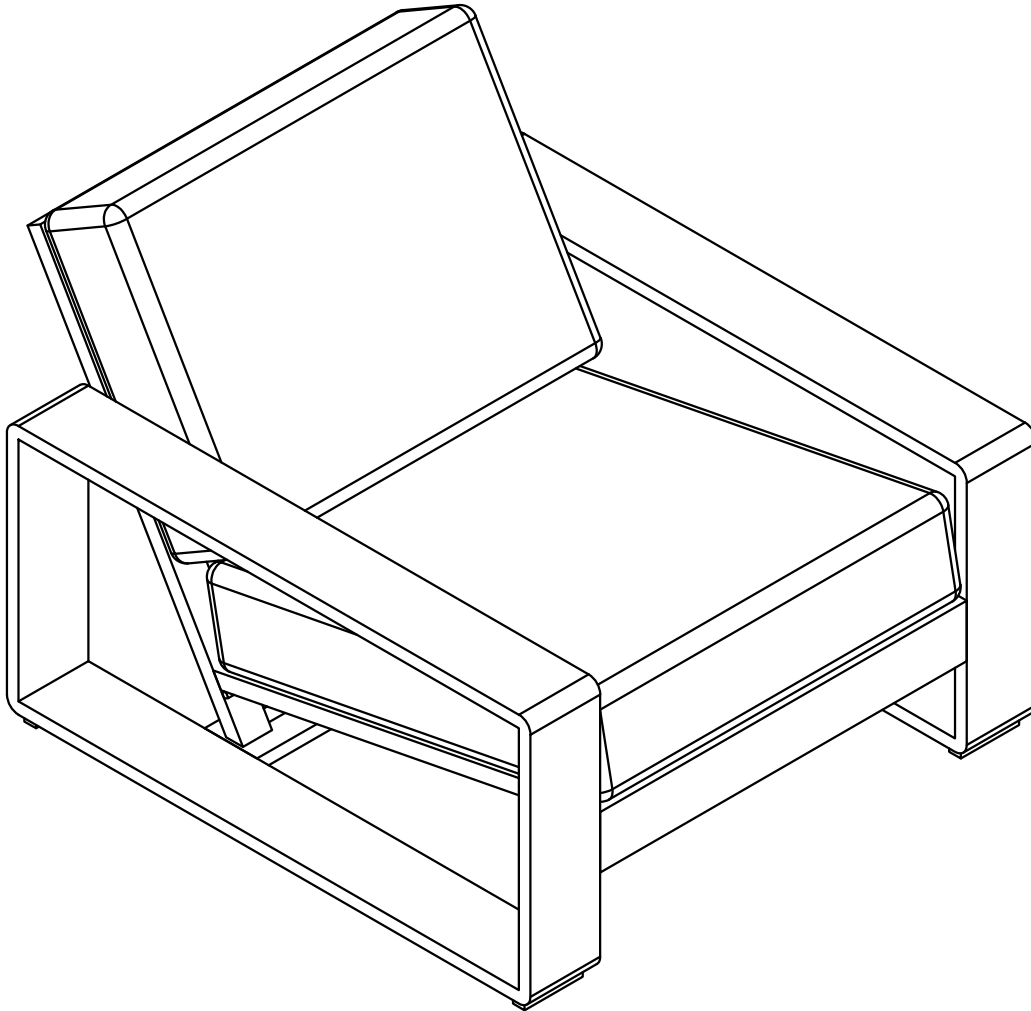


ASSEMBLY INSTRUCTIONS

EEI-7296/7300

VO.12.12.24



Questions? Contact us!

609.256.9000 • cs@modway.com
www.modway.com

***modway**

Let's get started!

*modway



Read through all of the instructions before starting



Care instructions are listed in the last step of this manual



Approx. 30 minutes assembly time



Make sure you have all parts and components before discarding any packing materials



2 people recommended for assembly

Only use hand tools to assemble this item. Do not use power tools. Do not tighten bolts or screws completely until all hardware is lined up and inserted into the holes.

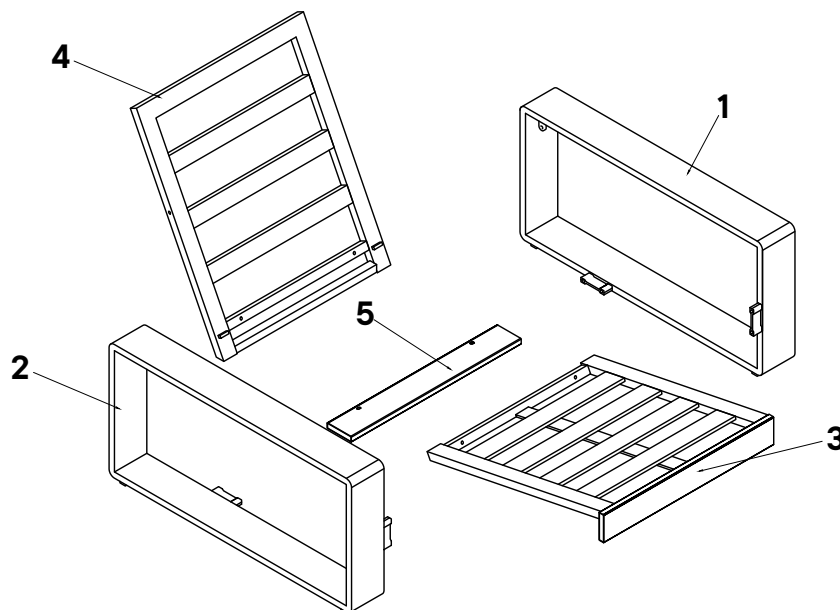
Do not over-tighten screws and bolts to avoid stripping the hardware or cracking the item.

Assemble your item on a flat, carpeted area, with plenty of space to work. This will prevent damage and scratches to your floors or the item while you're assembling the product.

Keep all components and packaging out of reach of children or animals to avoid risk of choking or suffocation.

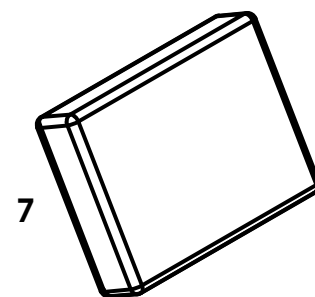
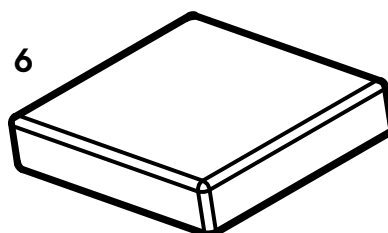
Furniture components:

1	Right Frame	x1
2	Left Frame	x1
3	Seat Frame	x1
4	Back Frame	x1
5	Bottom Rail	x1
6	Seat Cushion	x1
7	Back Cushion	x1



Provided hardware:

A		Bolt M6 x 25mm	x4
B		Bolt M6 x 35mm	x6
C		Washer	x2
D		Allen Wrench 4mm	x1



Wait!

Missing parts or hardware? Need assistance?

Contact us before returning your item. We're here to help!
609.256.9000 • cs@modway.com

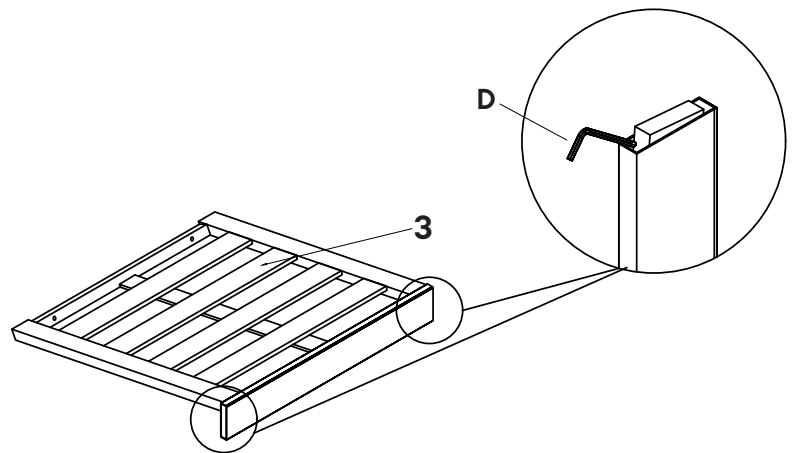
Step 1

HARDWARE

D Allen Wrench 4mm x1

COMPONENTS

3 Seat Frame x1



Note : Please remove the pipe plug at the bottom.

Step 2

HARDWARE

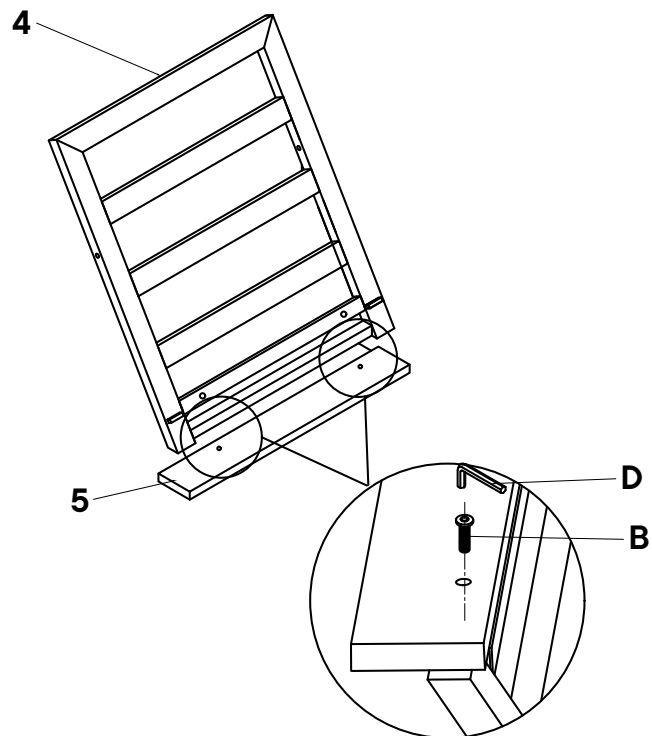
B Bolt M6 x 35mm x2

D Allen Wrench 4mm x1

COMPONENTS

4 Back Frame x1

5 Bottom Rail x1



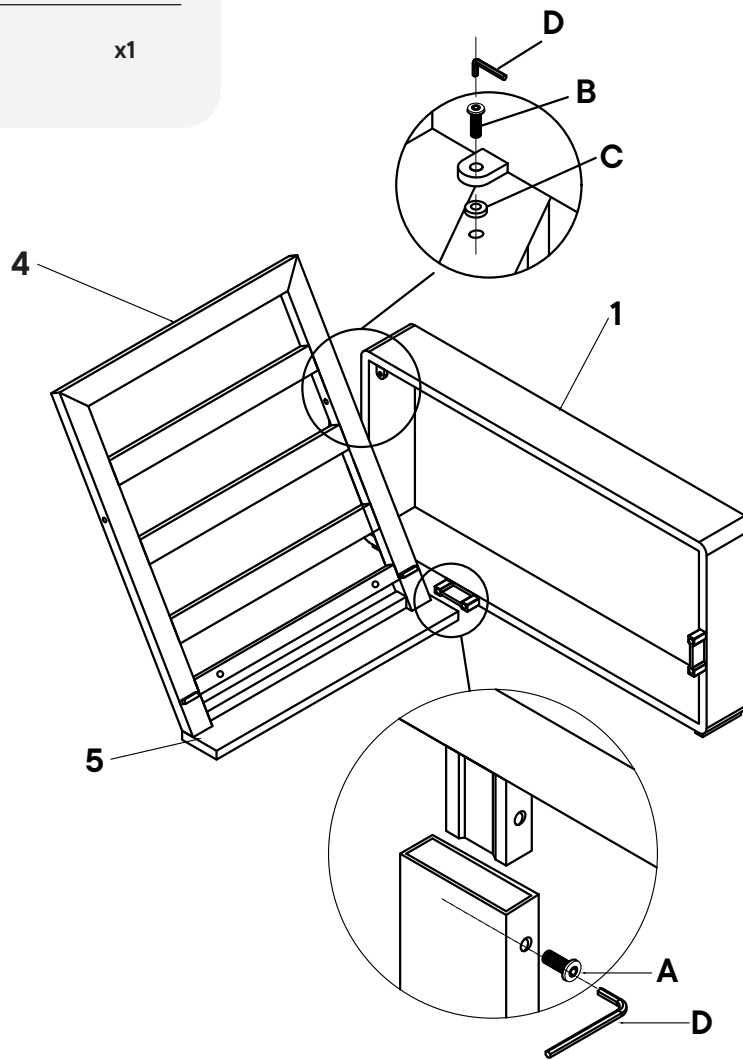
Step 3

HARDWARE

A	Bolt M6 x 25mm	x1
B	Bolt M6 x 35mm	x1
C	Washer	x1
D	Allen Wrench 4mm	x1

COMPONENTS

1	Right Frame	x1
----------	-------------	----



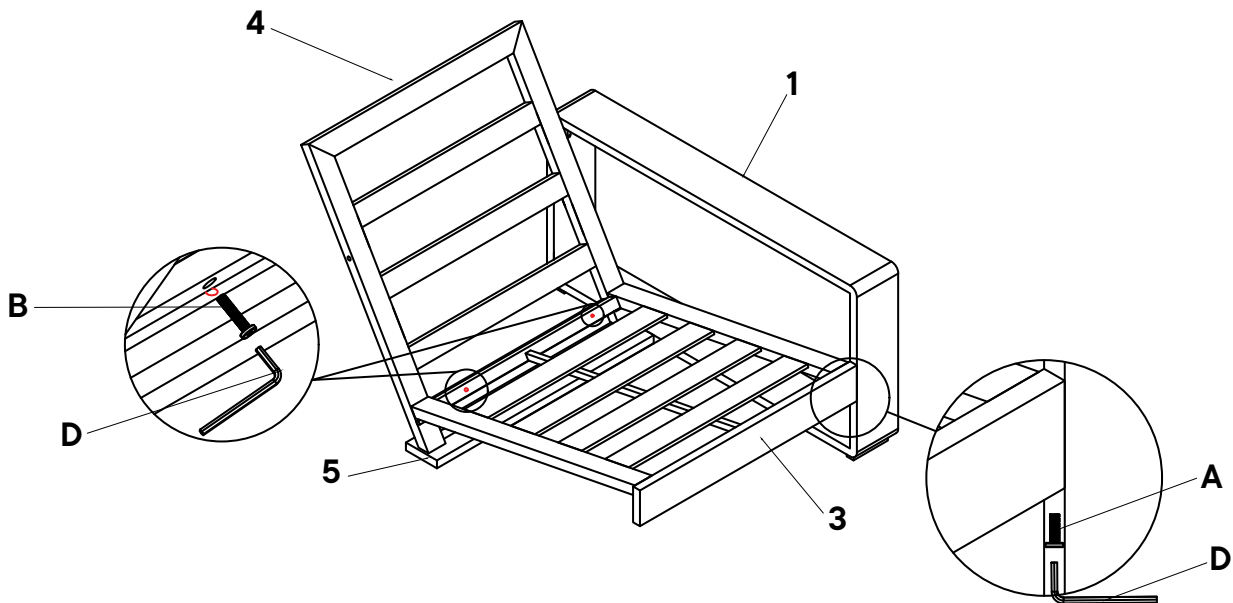
Step 4

HARDWARE

- A** Bolt M6 x 25mm x1
- B** Bolt M6 x 35mm x2
- D** Allen Wrench x1

COMPONENTS

- 3** Seat Frame x1



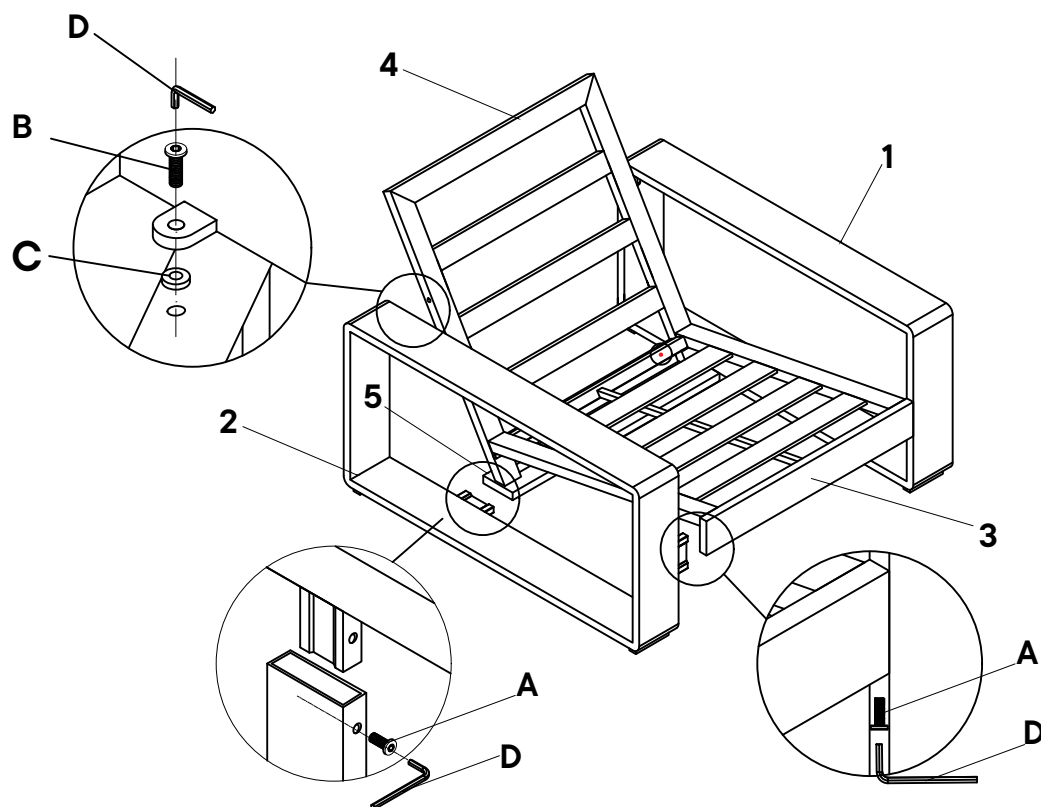
Step 5

HARDWARE

A	Bolt M6 x 25mm	x2
B	Bolt M6 x 35mm	x1
C	Washer	x1
D	Allen Wrench 4mm	x1

COMPONENTS

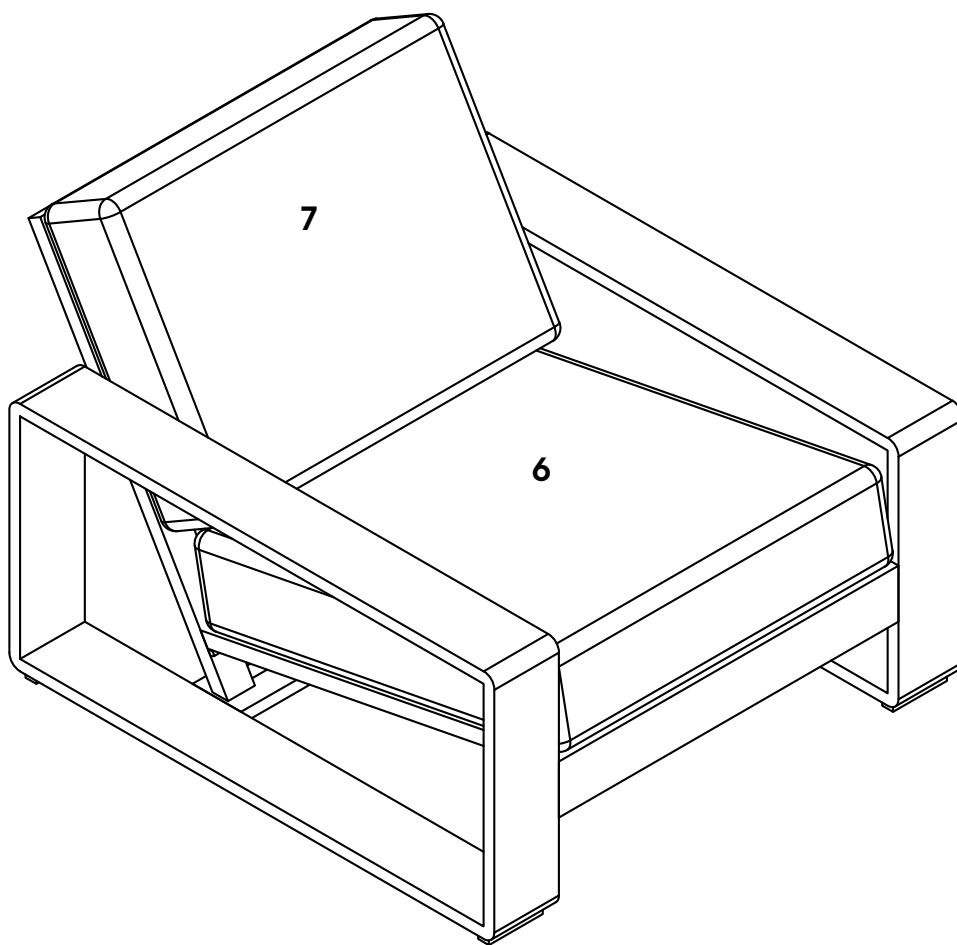
2	Left Frame	x1
----------	------------	----



Step 6

COMPONENTS

- | | | |
|---|--------------|----|
| 6 | Seat Cushion | x1 |
| 7 | Back Cushion | x1 |



Great job!

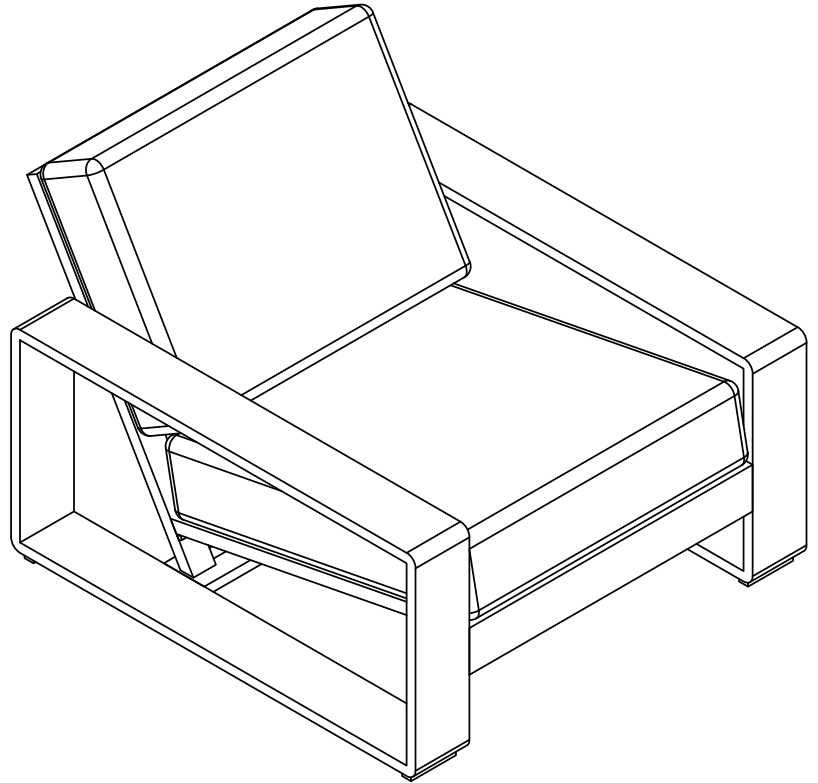
Your new Armchair is complete.

♥ CARING FOR YOUR ITEM

Depending on use, it may be necessary to tighten the hardware from time to time, so please save the tools that have been provided.

Not contract grade.

Clean using a non-abrasive cloth and a mild cleaner.



CONNECT WITH US!   

Tag us [@modway_furniture](#) and [#modway](#) for a chance to be featured.