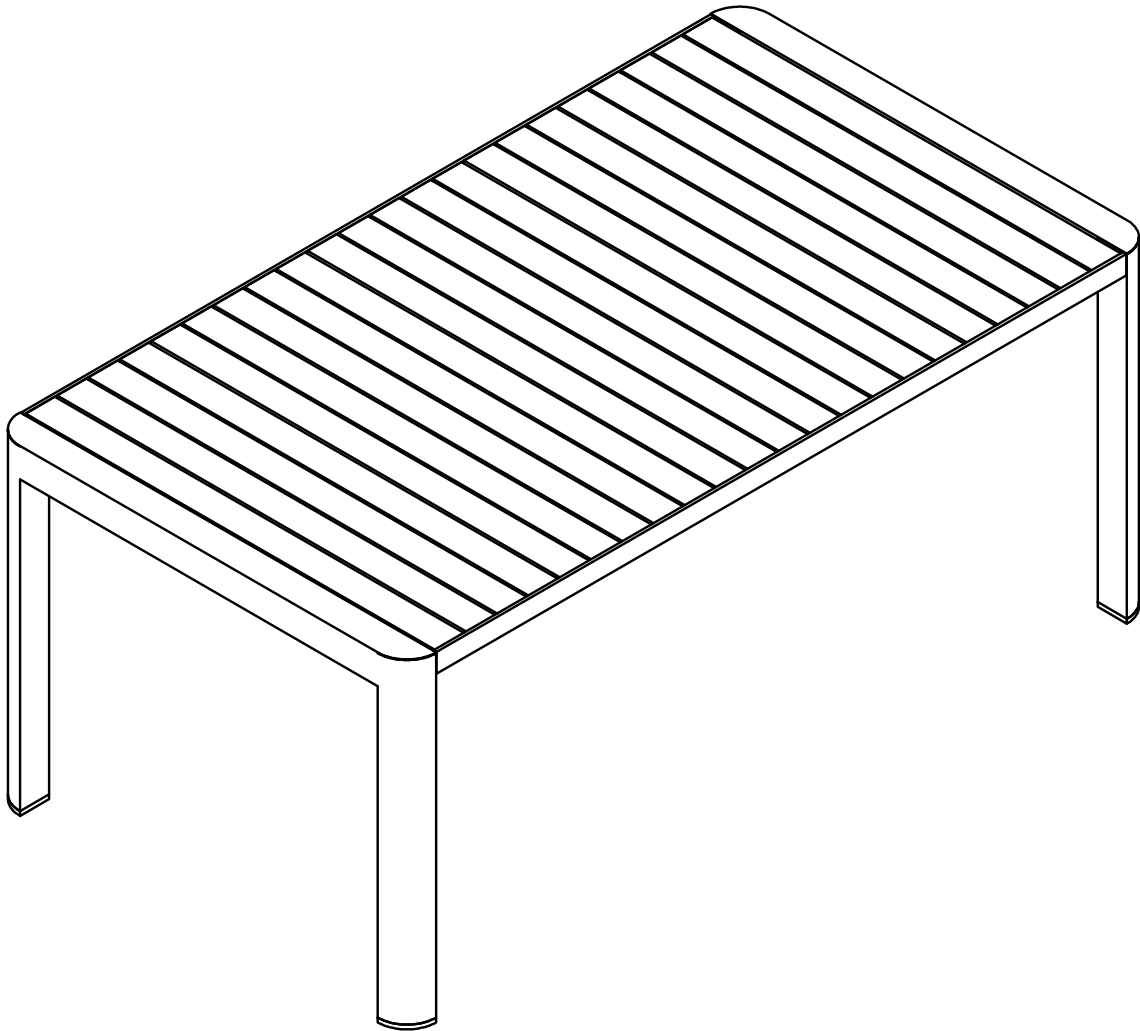


ASSEMBLY INSTRUCTIONS

EEI-7236

VO.12.12.24



Questions? Contact us!

609.256.9000 • cs@modway.com
www.modway.com

***modway**

Let's get started!

*modway



Read through all of the instructions before starting



Care instructions are listed in the last step of this manual



Approx. 30 minutes assembly time



Make sure you have all parts and components before discarding any packing materials



2 people recommended for assembly

Only use hand tools to assemble this item. Do not use power tools. Do not tighten bolts or screws completely until all hardware is lined up and inserted into the holes.

Do not over-tighten screws and bolts to avoid stripping the hardware or cracking the item.

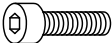




Assemble your item on a flat, carpeted area, with plenty of space to work. This will prevent damage and scratches to your floors or the item while you're assembling the product.

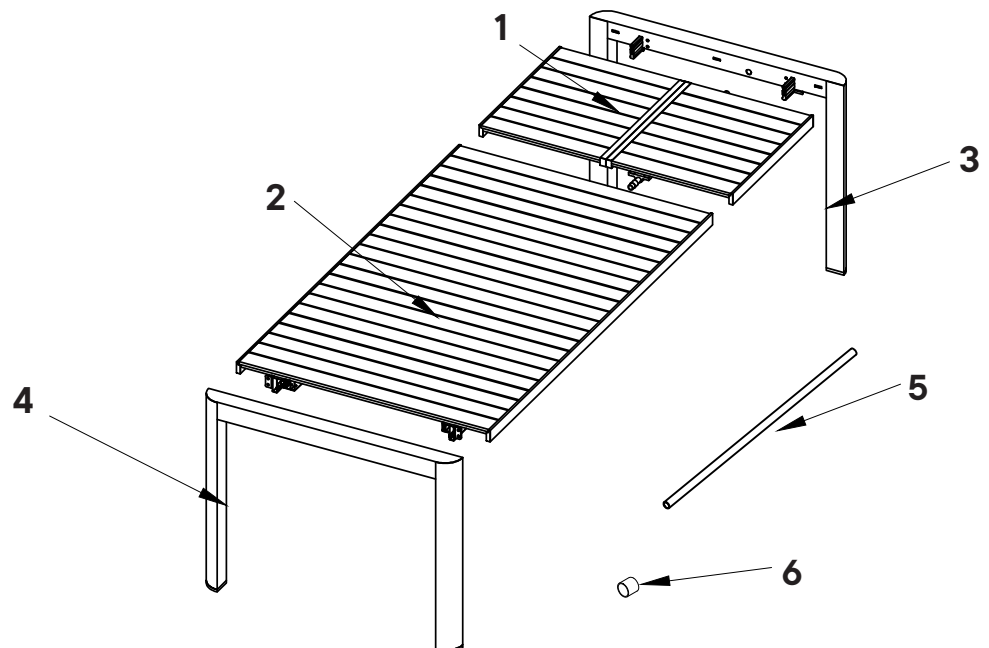
Keep all components and packaging out of reach of children or animals to avoid risk of choking or suffocation.

Furniture components:

| | | |
|---|----------------|----|
| 1 | Panel | x1 |
| 2 | Extended Board | x1 |
| 3 | Front Leg | x1 |
| 4 | Back Leg | x1 |
| 5 | Support Tube | x1 |
| 6 | Drive Pipe | x1 |

Provided hardware:

| | | | |
|---|---|-----------------|----|
| A |  | Bolt M6 x 20mm | x8 |
| B |  | Bolt M6 x 15mm | x8 |
| C |  | Flat Washer | x8 |
| D |  | Allen Wrench M5 | x1 |
| E |  | Allen Wrench M4 | x1 |



Wait!

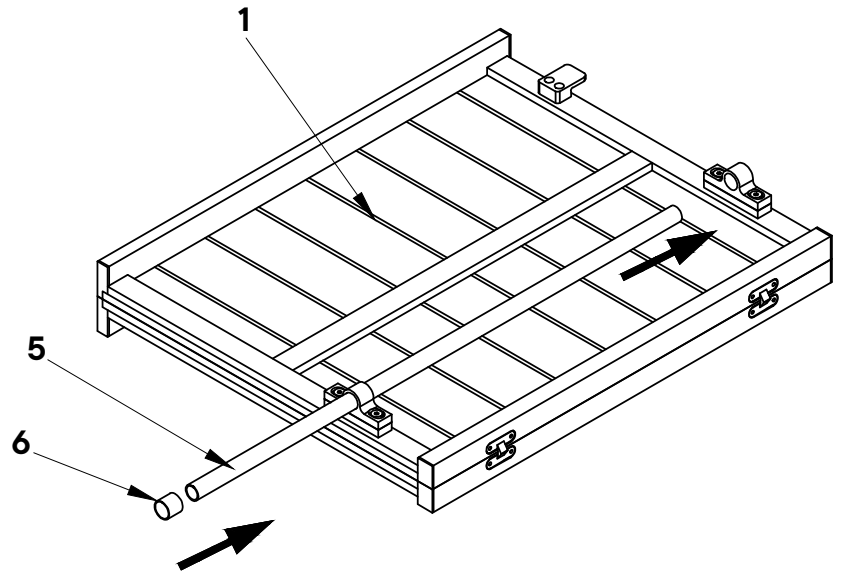
Missing parts or hardware? Need assistance?

Contact us before returning your item. We're here to help!
609.256.9000 • cs@modway.com

Step 1

COMPONENTS

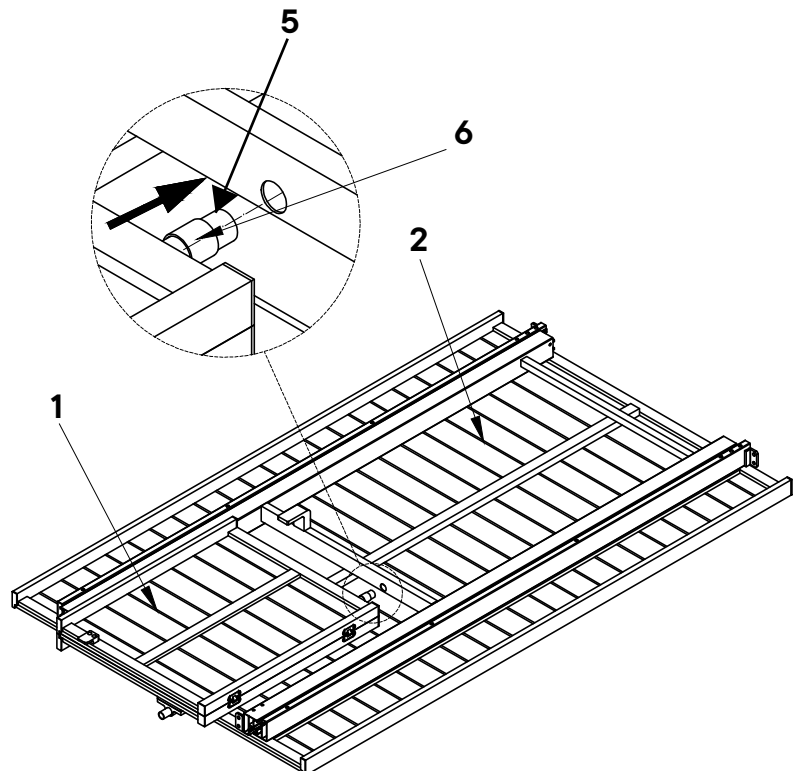
- | | | |
|---|--------------|----|
| 1 | Panel | x1 |
| 5 | Support Tube | x1 |
| 6 | Drive Pipe | x1 |



Step 2

COMPONENTS

- | | | |
|---|----------------|----|
| 1 | Panel | x4 |
| 2 | Extended Board | x1 |
| 5 | Support Tube | x1 |
| 6 | Drive Pipe | x1 |



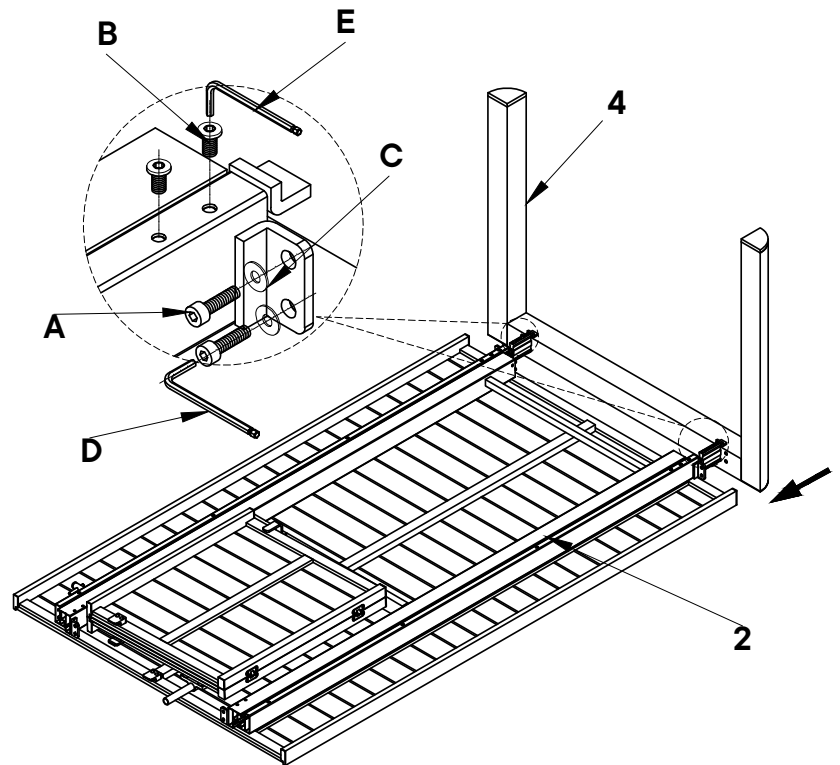
Step 3

HARDWARE

| | | |
|----------|-----------------|----|
| A | Bolt M6 x 20mm | x4 |
| B | Bolt M6 x 15mm | x4 |
| C | Flat Washer | x4 |
| D | Allen Wrench M5 | x1 |
| E | Allen Wrench M4 | x1 |

COMPONENTS

| | | |
|----------|----------|----|
| 4 | Back Leg | x1 |
|----------|----------|----|



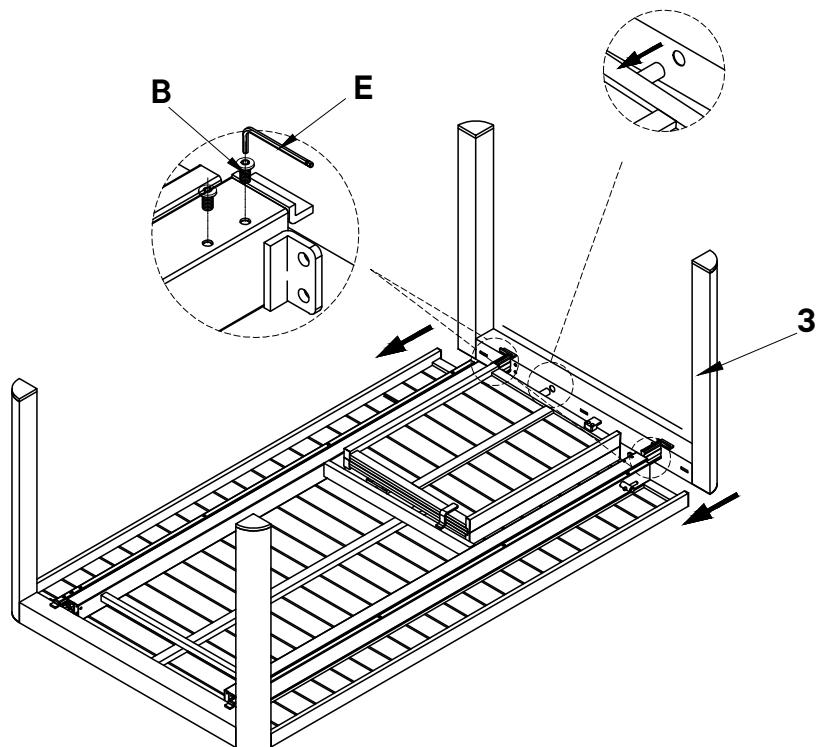
Step 4

HARDWARE

| | | |
|----------|-----------------|----|
| B | Bolt M6 x 15mm | x4 |
| E | Allen Wrench M4 | x1 |

COMPONENTS

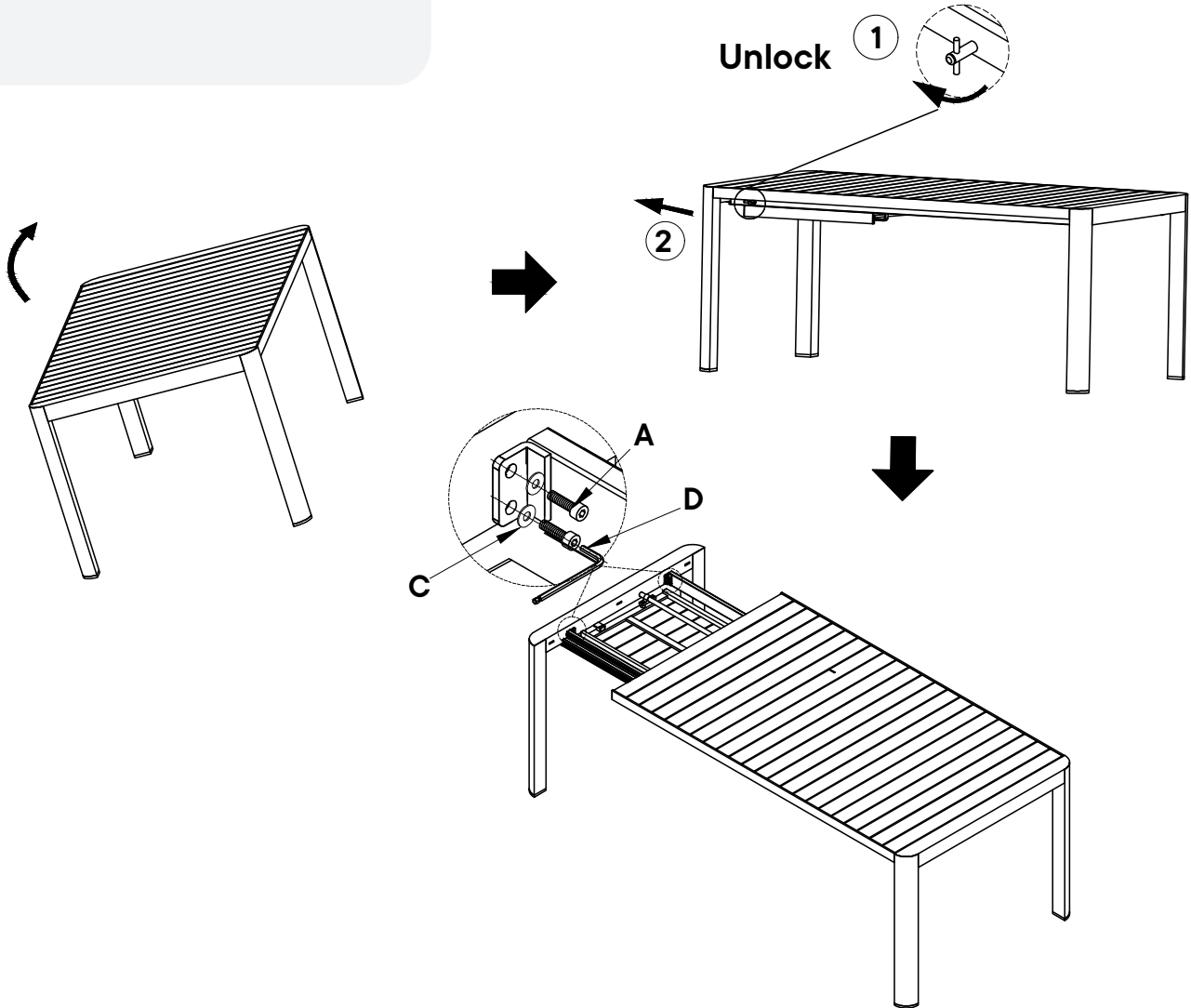
| | | |
|----------|-----------|----|
| 3 | Front Leg | x1 |
|----------|-----------|----|

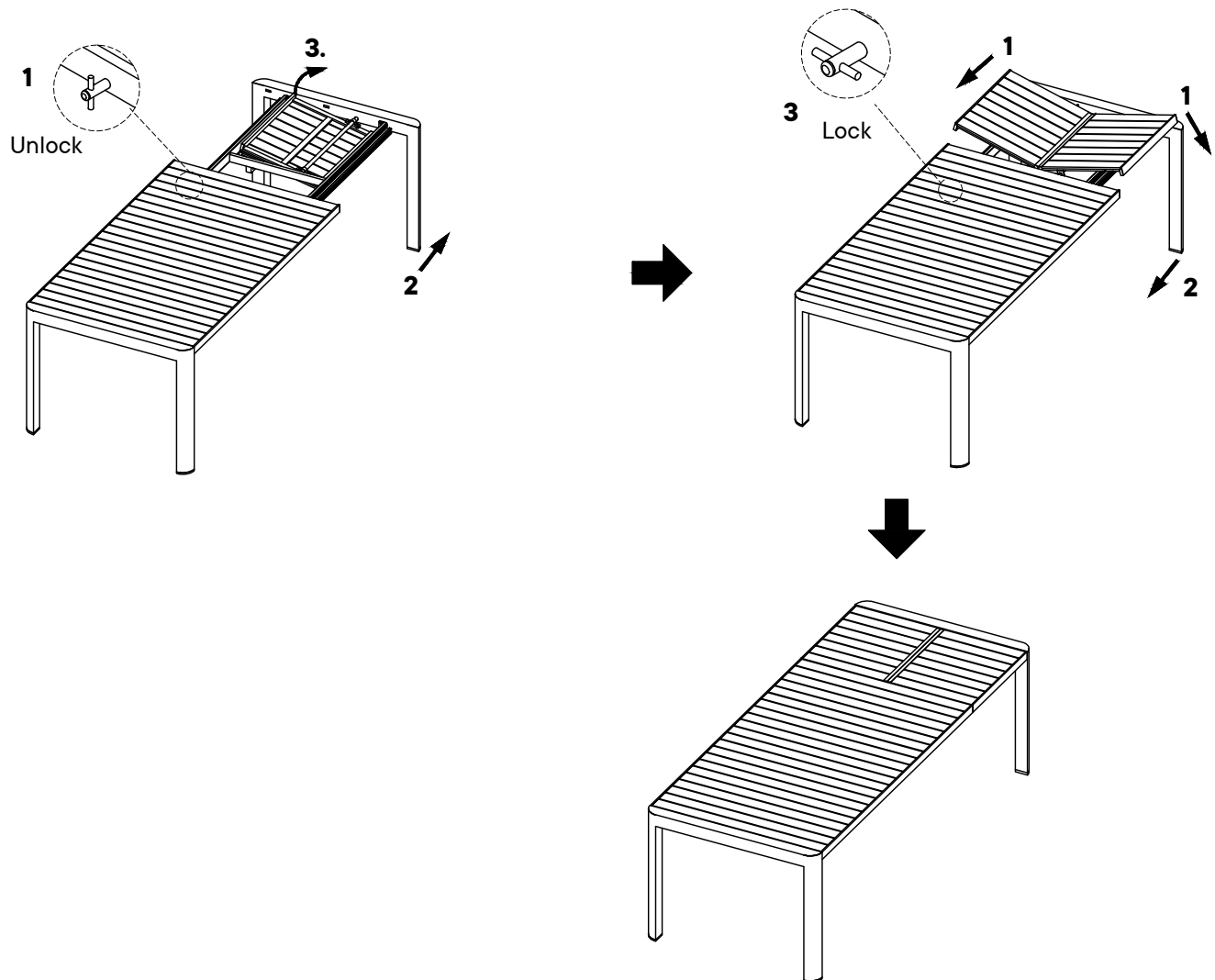


Step 5

HARDWARE

- | | | |
|----------|-----------------|----|
| A | Bolt M6 x 20mm | x4 |
| C | Flat Washer | x4 |
| D | Allen Wrench M5 | x1 |





Note:

- 1. Always read the Assembly Instruction**
- 2. Both table leaves has to be pull-out and store together.**
- 3. Separating the table leaves is not advisable.**

Great job!

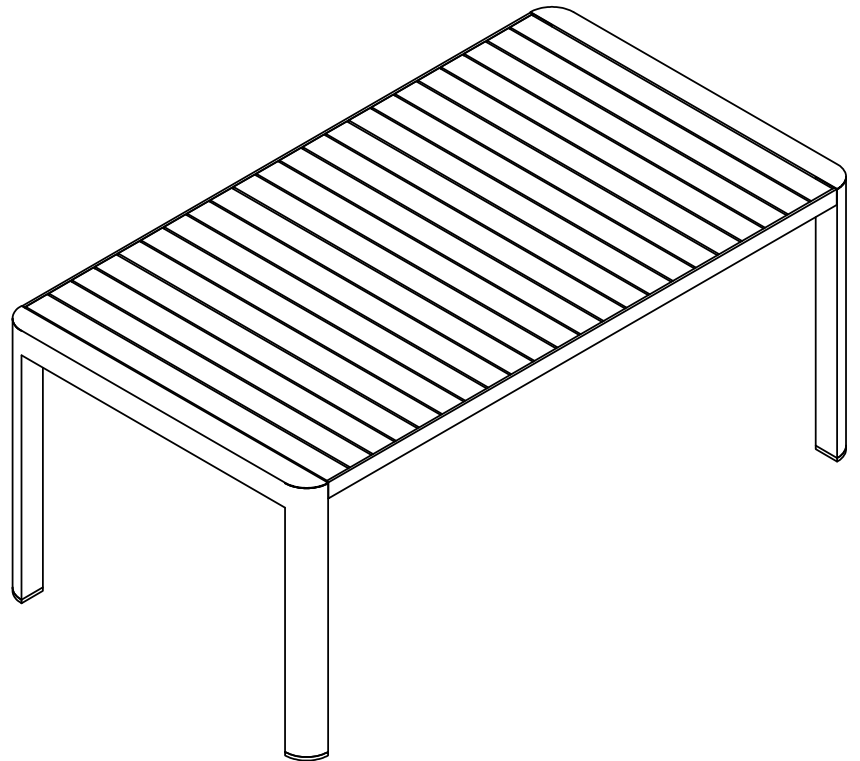
Your new dining table is complete.

♥ CARING FOR YOUR ITEM

Depending on use, it may be necessary to tighten the hardware from time to time, so please save the tools that have been provided.

Not contract grade.

Clean using a non-abrasive cloth and a mild cleaner.



CONNECT WITH US!   

Tag us [@modway_furniture](#) and [#modway](#) for a chance to be featured.