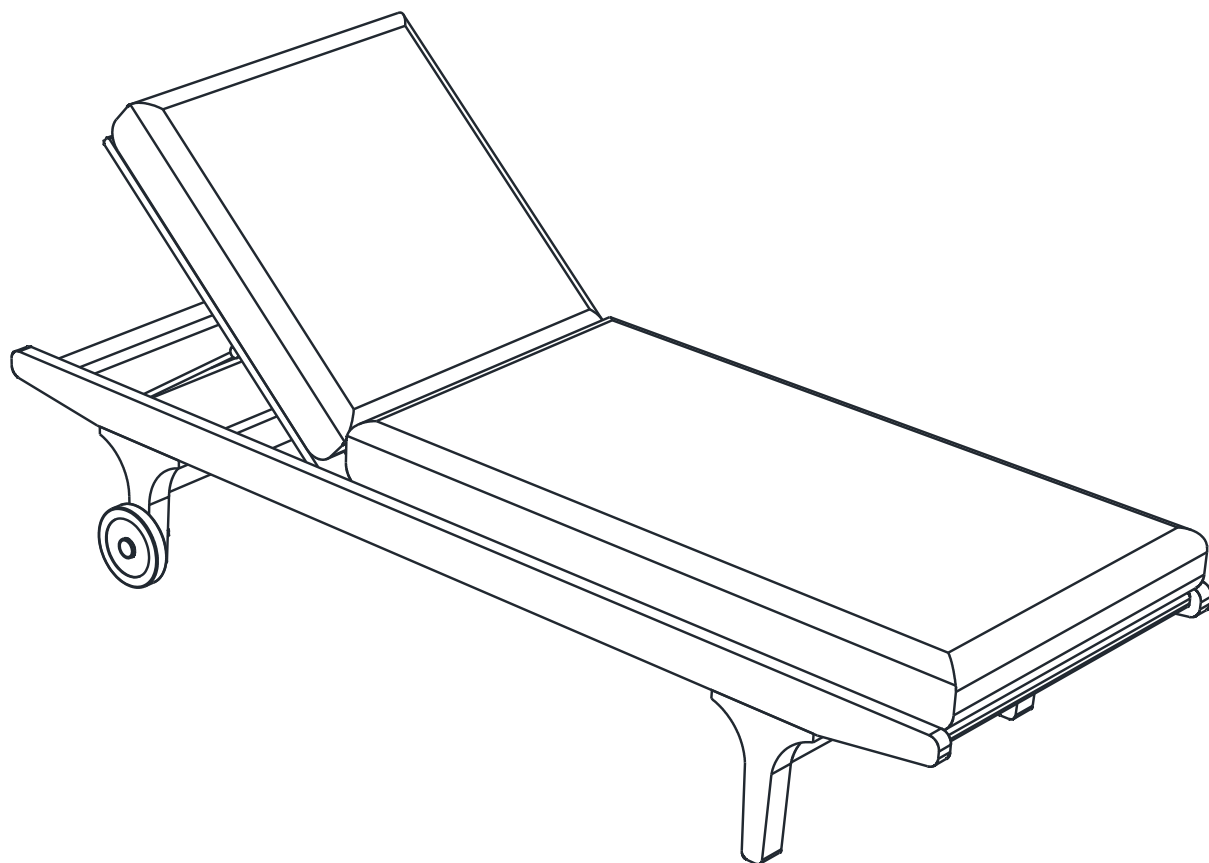


# ASSEMBLY INSTRUCTIONS

## EEI-7251

V0.10.23.24



**Questions? Contact us!**

609.256.9000 • [cs@modway.com](mailto:cs@modway.com)  
[www.modway.com](http://www.modway.com)

**\*modway**

# Let's get started!

\*modway



Read through all of the instructions before starting



Care instructions are listed in the last step of this manual



Approx. 30 minutes assembly time



Make sure you have all parts and components before discarding any packing materials



2 people recommended for assembly

**Only use hand tools to assemble this item.** Do not use power tools. Do not tighten bolts or screws completely until all hardware is lined up

Do not over-tighten screws and bolts to avoid stripping the hardware or cracking the item.








Assemble your item on a flat, carpeted area, with plenty of space to work. This will prevent damage and scratches to your floors or the item while you're assembling the product.

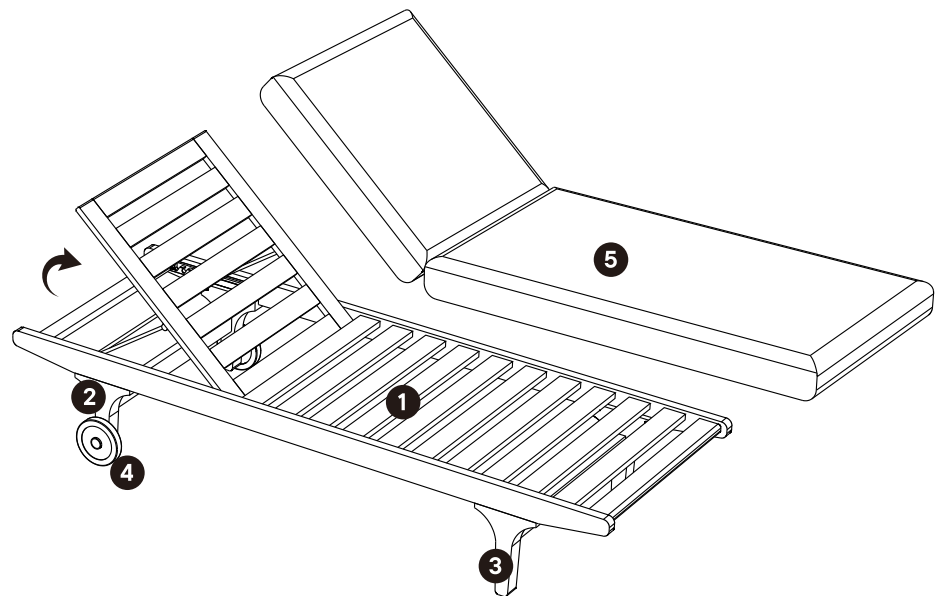
Keep all components and packaging out of reach of children or animals to avoid risk of choking or suffocation.

## Furniture components:

1	Lounger Frame	x1
2	Back Leg	x1
3	Front Leg	x1
4	Wheels	x2
5	Cushion	x1

## Provided hardware:

A	 JCBC M8x40mm	x8
B	 Allen Key M8	x1
C	 Wrench 17	x1
D	 Bolt	x2
E	 Flat Washer Ø25mm	x2
F	 Flat Washer Ø20mm	x2
G	 Nuts	x2



Wait!

Missing parts or hardware? Need assistance?

Contact us before returning your item. We're here to help!

609.256.9000 • [cs@modway.com](mailto:cs@modway.com)

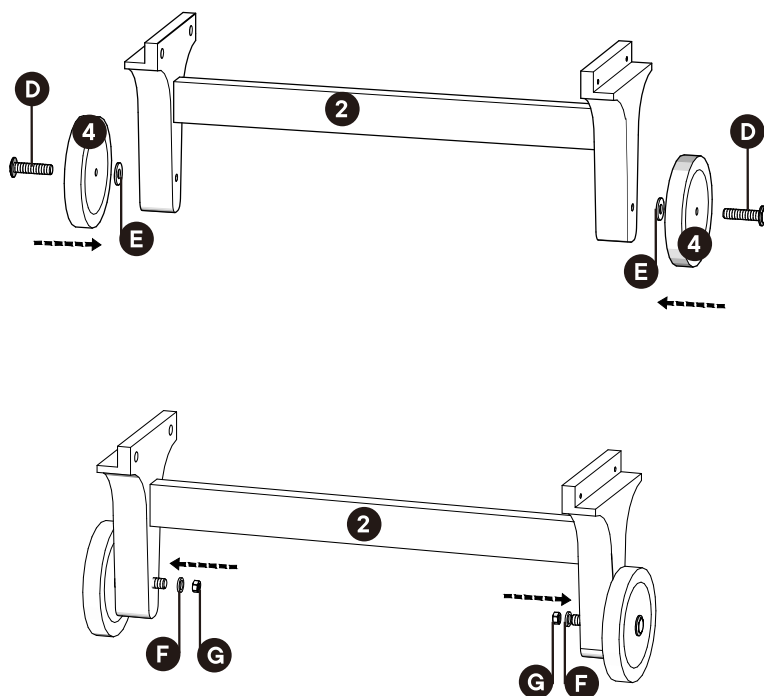
# Step 1

## COMPONENTS

- 2 Back Leg x1
- 4 Wheels x2

## HARDWARE

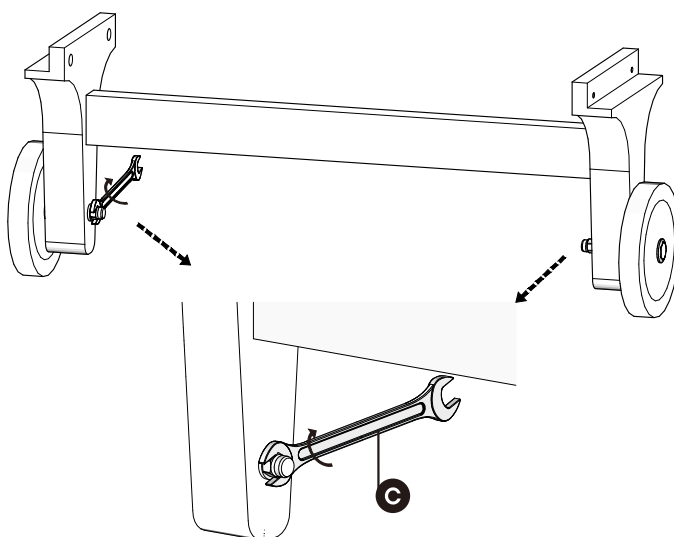
- D Bolt x2
- E Flat Washer  $\varnothing 25$  mm x2
- F Flat Washer  $\varnothing 20$  mm x2
- G Nuts x2



# Step 2

## TOOLS

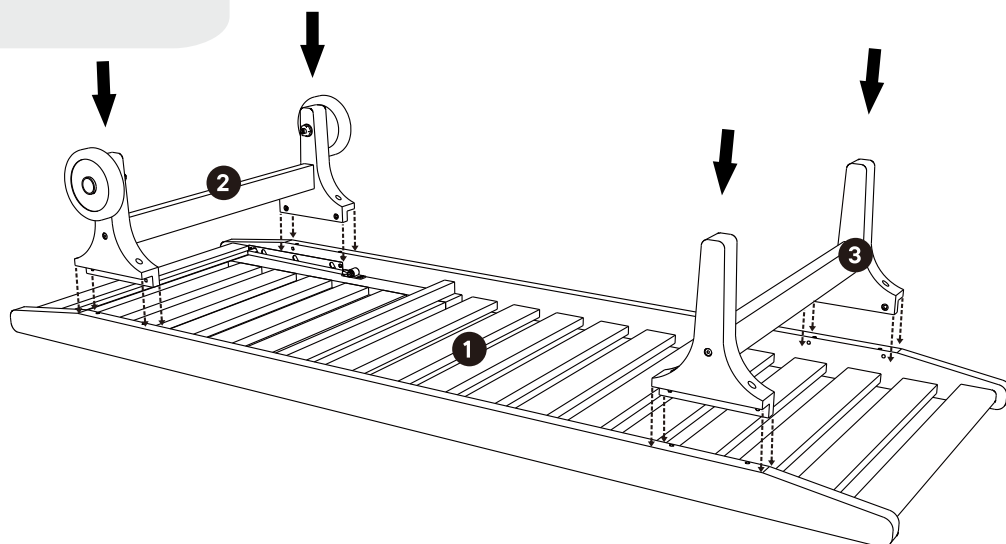
- C Wrench 17 x1



## Step 3

### COMPONENTS

1	Lounger Frame	x1
2	Back Leg	x1
3	Front Leg	x1



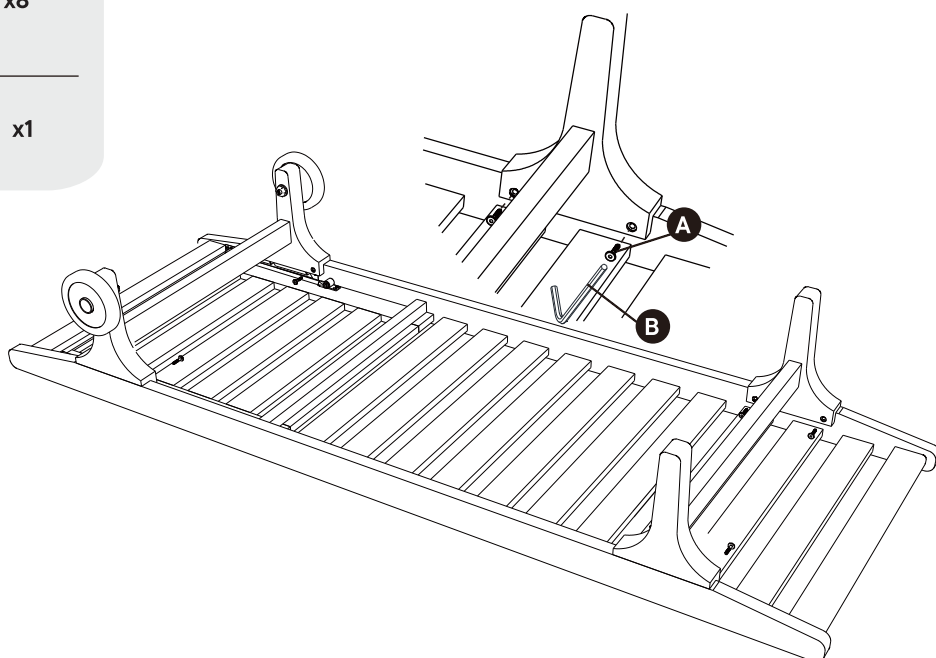
## Step 4

### HARDWARE

A	JCBC M8 x 40mm	x8
---	----------------	----

### TOOLS

B	Allen Key M8	x1
---	--------------	----



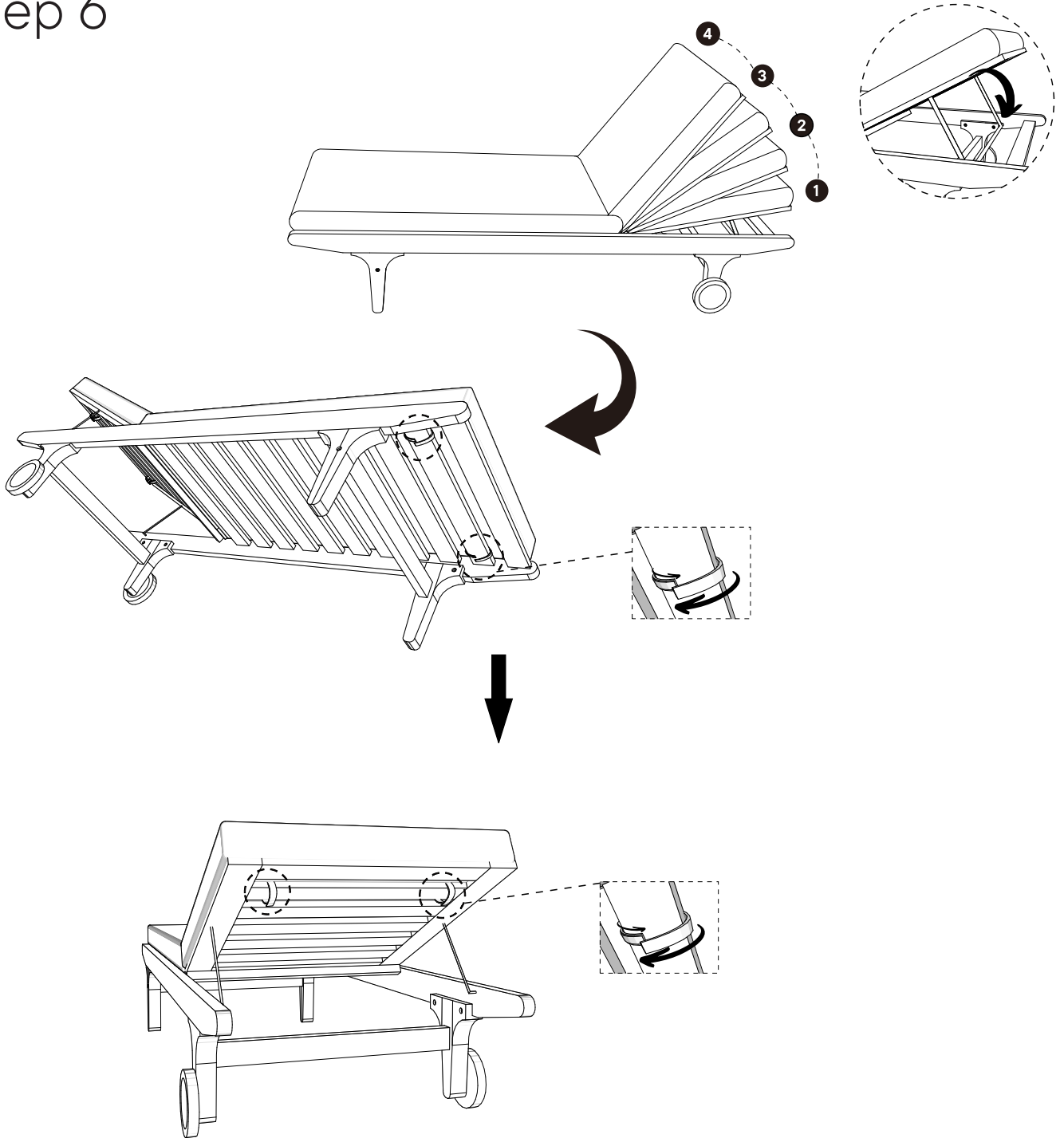
# Step 5

**COMPONENTS**

- 5** Cushion x1



# Step 6



# Great job!

Your new chaise is complete.

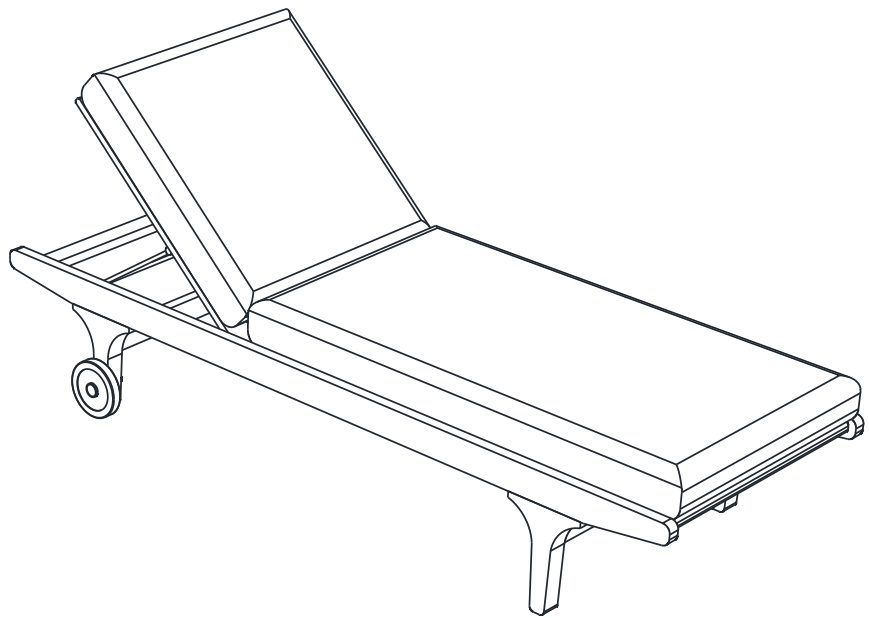
## ♥ CARING FOR YOUR ITEM

Depending on use, it may be necessary to tighten the hardware from time to time, so please save the tools that have been provided.

Not contract grade.

Clean using a non-abrasive cloth and a mild cleaner.

Retain the rich wood color by occasionally sanding lightly and applying a teak cleaner and protectant. The oils nourish and help restore the original look.



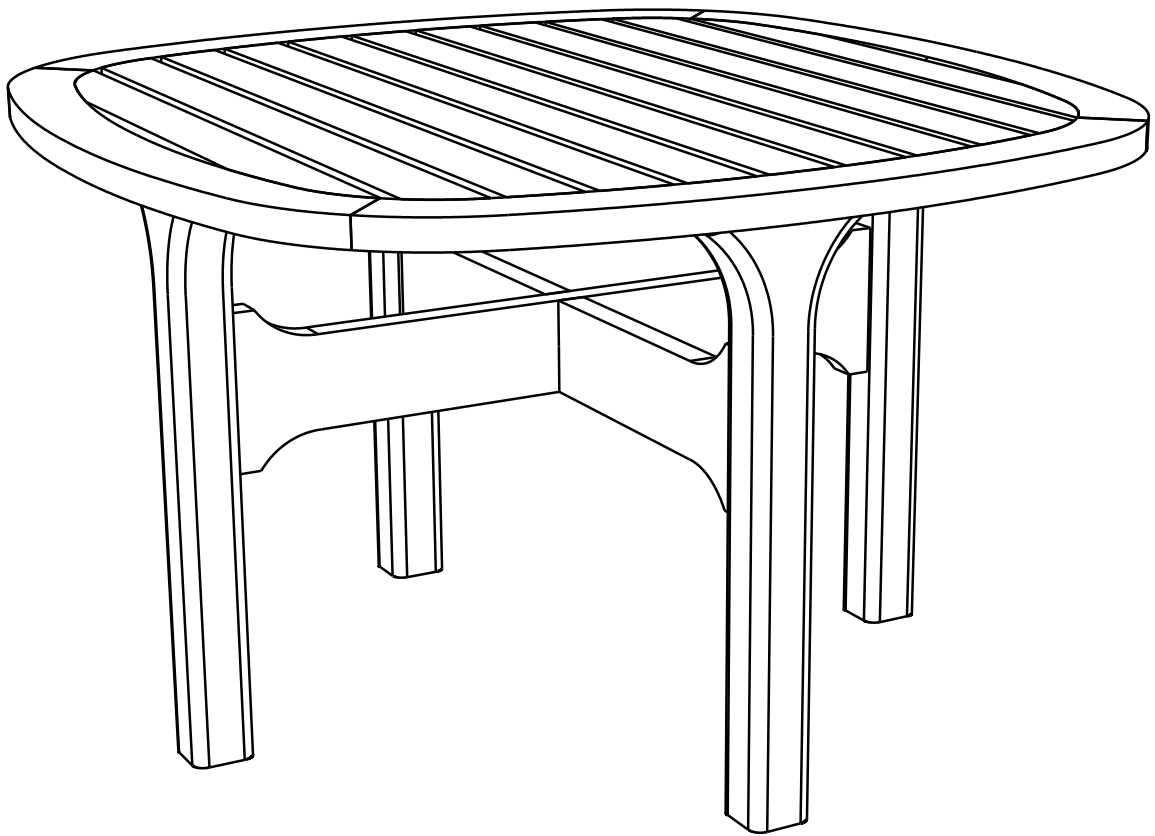
CONNECT WITH US!   

Tag us [@modway\\_furniture](#) and [#modway](#) for a chance to be featured.

# ASSEMBLY INSTRUCTIONS

# EEI-7263

V0.10.23.24



## Questions? Contact us!

609.256.9000 • [cs@modway.com](mailto:cs@modway.com)  
[www.modway.com](http://www.modway.com)

\*modway

# Let's get started!

\*modway



Read through all of the instructions before starting



Care instructions are listed in the last step of this manual



Approx. 30 minutes assembly time



Make sure you have all parts and components before discarding any packing materials



2 people recommended for assembly

**Only use hand tools to assemble this item.** Do not use power tools. Do not tighten bolts or screws completely until all hardware is lined up

Do not over-tighten screws and bolts to avoid stripping the hardware or cracking the item.




Assemble your item on a flat, carpeted area, with plenty of space to work. This will prevent damage and scratches to your floors or the item while you're assembling the product.

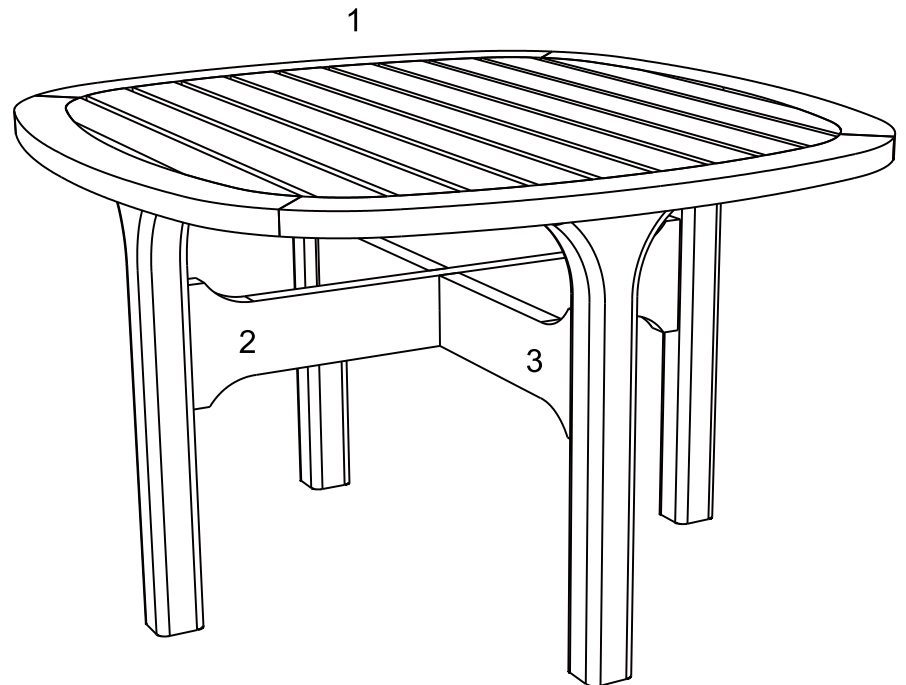
Keep all components and packaging out of reach of children or animals to avoid risk of choking or suffocation.

## Furniture components:

1	Top Table	x1
2	Leg 1	x1
3	Leg 2	x1

## Provided hardware:

A	 JCBC M6 x 50 mm	x1
B	 Screw 5/8 inch	x8
C	 Allen Key	x1



## What you need:

D  Phillips Head Screwdriver

**Wait!**

**Missing parts or hardware? Need assistance?**

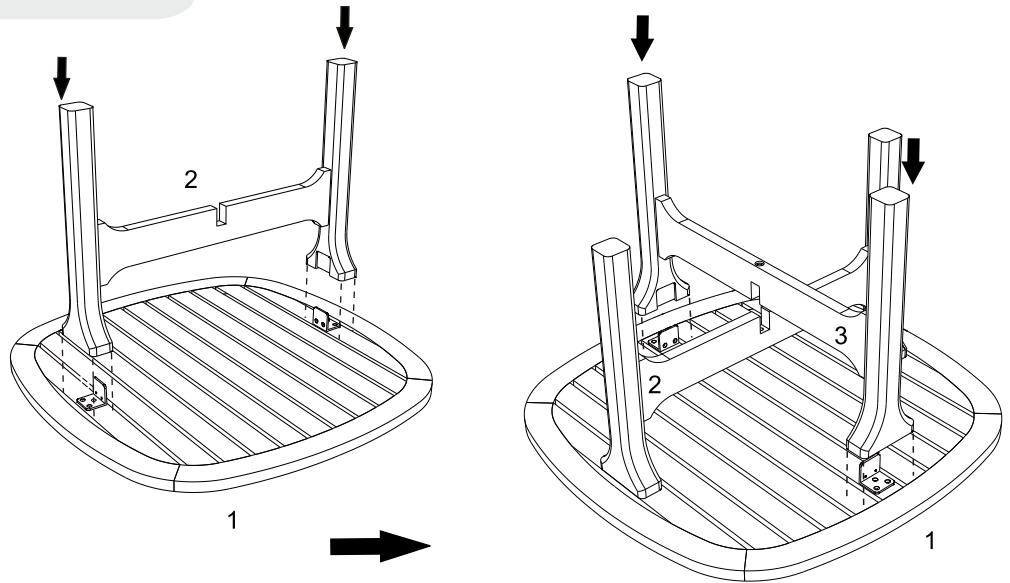
Contact us before returning your item. We're here to help!

609.256.9000 • [cs@modway.com](mailto:cs@modway.com)

# Step 1

## COMPONENTS

- ① Top Table x1
- ② Leg 1 x1
- ③ Leg 2 x1



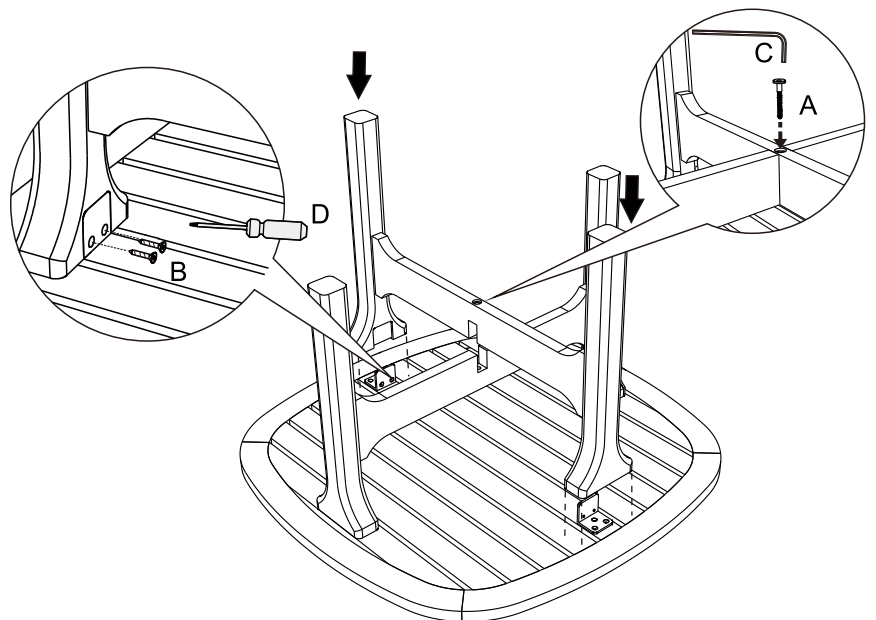
# Step 2

## HARDWARE

- Ⓐ JCBC M6 X 50 x1
- Ⓑ Screw 5/8 inch x8

## TOOLS

- Ⓒ Allen Key x1
- Ⓓ Phillips Head Screwdriver x1



# Great job!

Your new side table is complete.

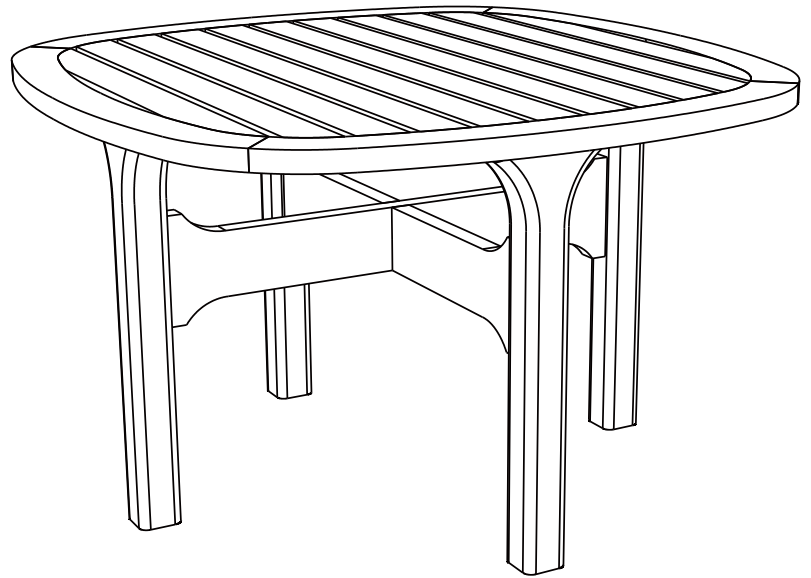
## ♥ CARING FOR YOUR ITEM

Depending on use, it may be necessary to tighten the hardware from time to time, so please save the tools that have been provided.

Not contract grade.

Clean using a non-abrasive cloth and a mild cleaner.

Retain the rich wood color by occasionally sanding lightly and applying a teak cleaner and protectant. The oils nourish and help restore the original look.



CONNECT WITH US!   

Tag us @modway\_furniture and #modway for a chance to be featured.