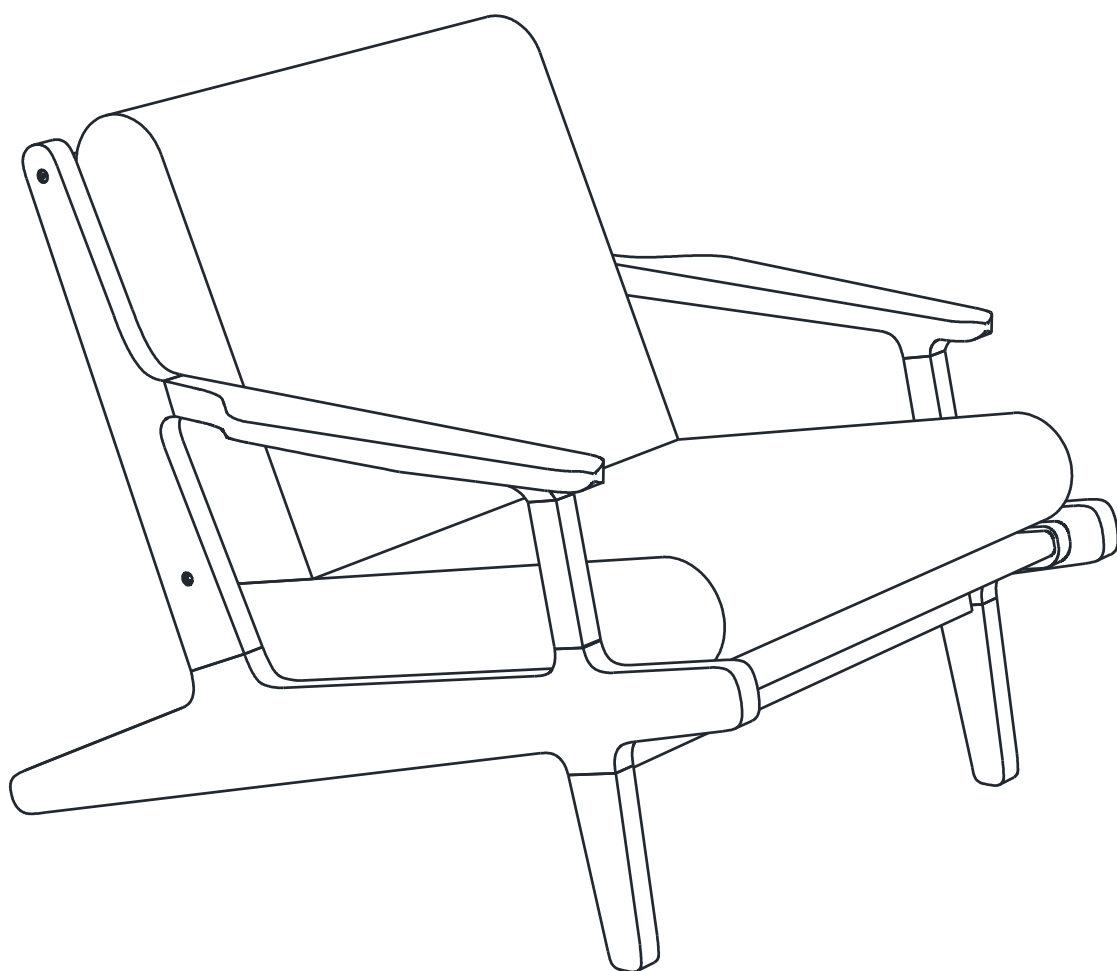


ASSEMBLY INSTRUCTIONS

EEI-7248

V0.10.23.24



Questions? Contact us!

609.256.9000 • cs@modway.com
www.modway.com

*modway

Let's get started!

*modway



Read through all of the instructions before starting



Care instructions are listed in the last step of this manual



Approx. 30 minutes assembly time



Make sure you have all parts and components before discarding any packing materials



2 people recommended for assembly

Only use hand tools to assemble this item. Do not use power tools. Do not tighten bolts or screws completely until all hardware is lined up

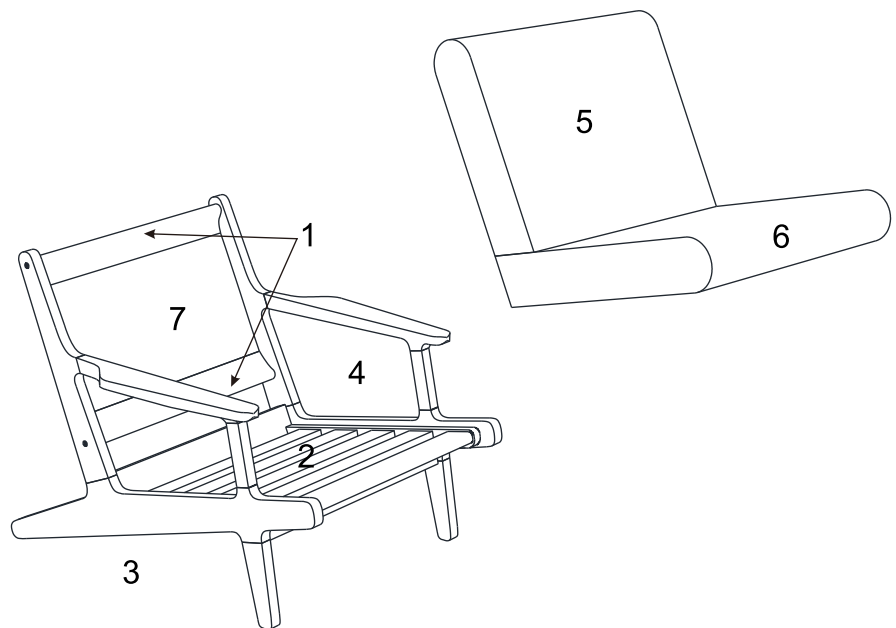
Do not over-tighten screws and bolts to avoid stripping the hardware or cracking the item.

Assemble your item on a flat, carpeted area, with plenty of space to work. This will prevent damage and scratches to your floors or the item while you're assembling the product.






Keep all components and packaging out of reach of children or animals to avoid risk of choking or suffocation.

Furniture components:

1	Back Rail	x2
2	Seat Base	x1
3	Left Frame	x1
4	Right Frame	x1
5	Back Cushion	x1
6	Seat Cushion	x1
7	Batylane	x1



Provided hardware:

A	 JCBC M8x40mm	x4
B	 JCBC M6x30mm	x4
C	 Allen Key M8	x1
D	 Allen Key M6	x1
E	 Dowel Plug	x4

Wait!

Missing parts or hardware? Need assistance?

Contact us before returning your item. We're here to help!

609.256.9000 • cs@modway.com

Step 1

COMPONENTS

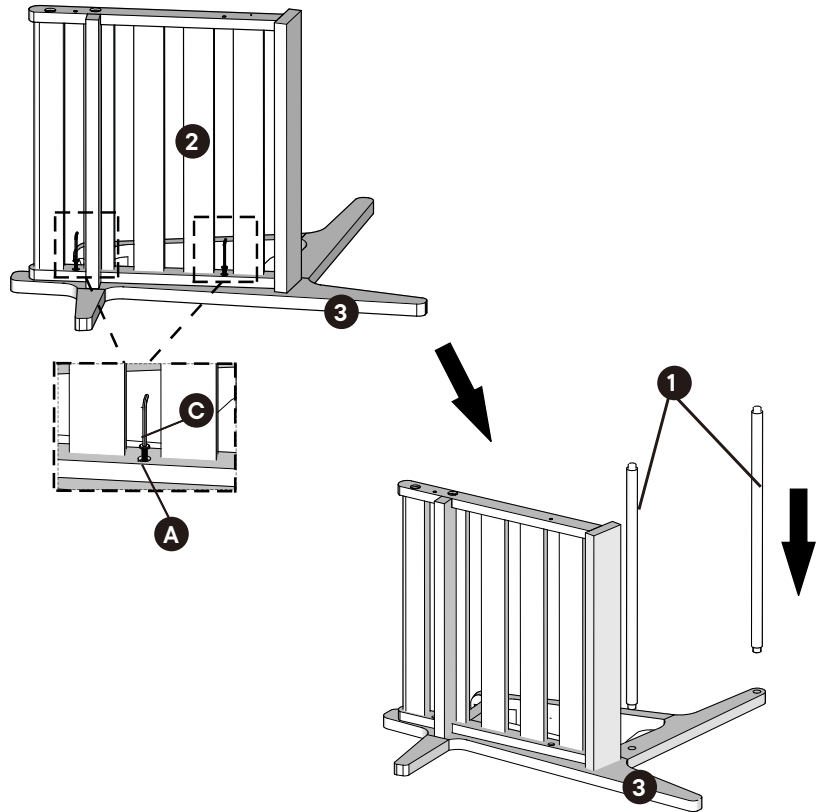
- 1** Back Rail 1 x2
- 2** Seat Base x1
- 3** Left Frame x1

HARDWARE

- A** JCBC M8 x 40mm x2

TOOLS

- C** Allen Key M8 x1



Step 2

COMPONENTS

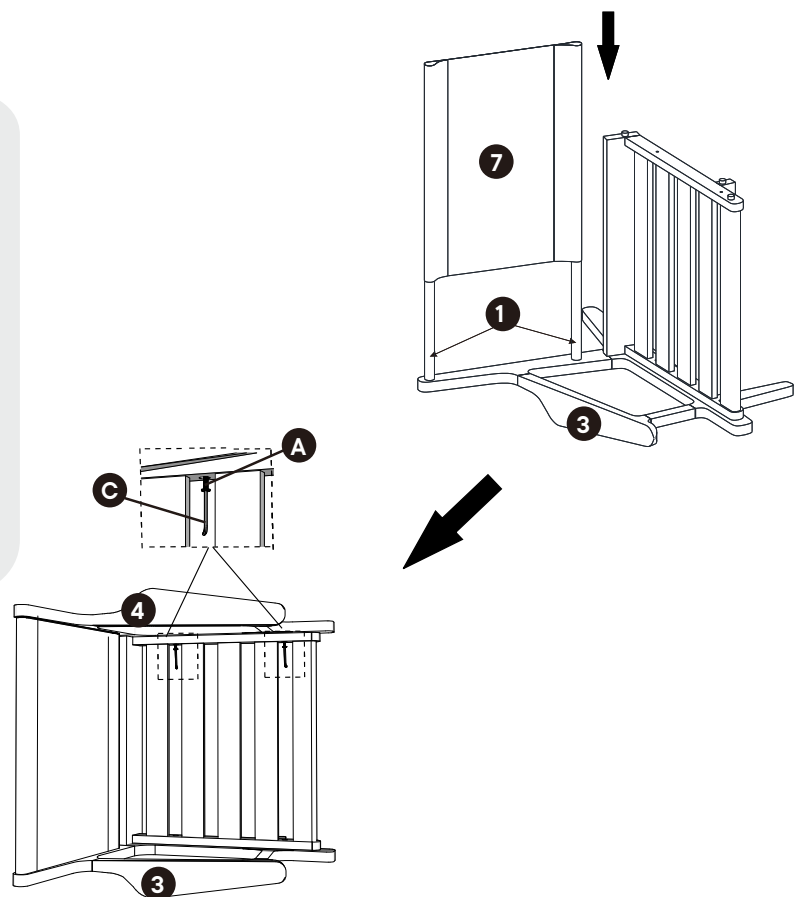
- 4** Right Frame x1
- 7** Batyline x1

HARDWARE

- A** JCBC M8 x 40mm x2

TOOLS

- C** Allen Key M8 x1



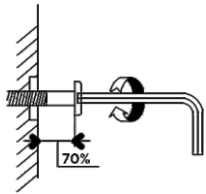
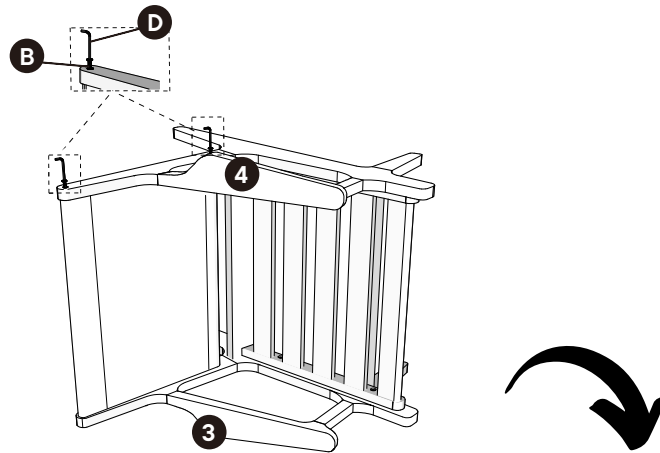
Step 3

HARDWARE

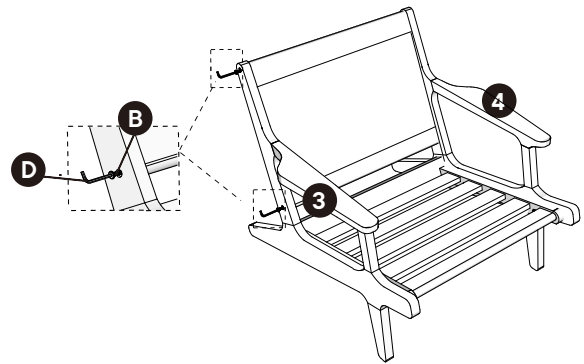
B JCBC M6 x 30mm x4

TOOLS

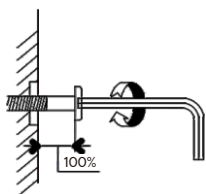
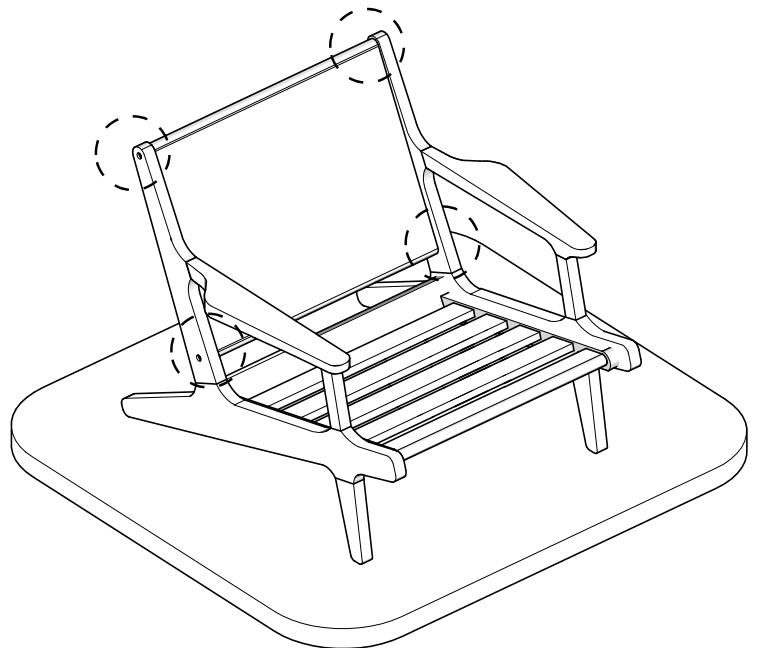
D Allen Key M6 x1



NOTE : Do not fully tighten the bolt



Step 4

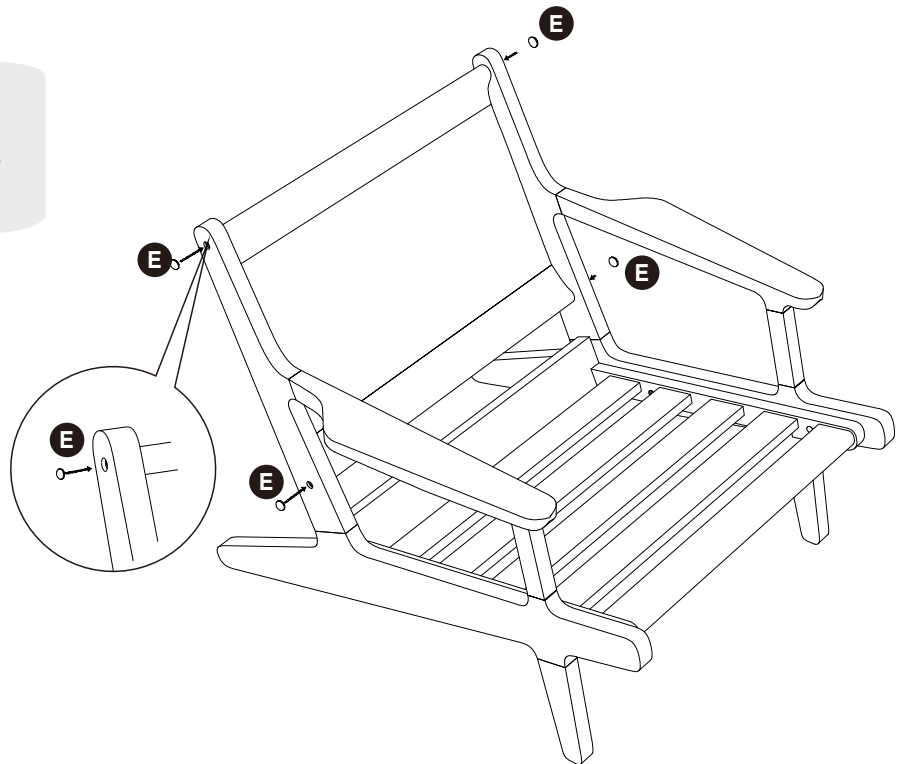


NOTE : Use the allen key to tighten all the bolts securely.

Step 5

HARDWARE

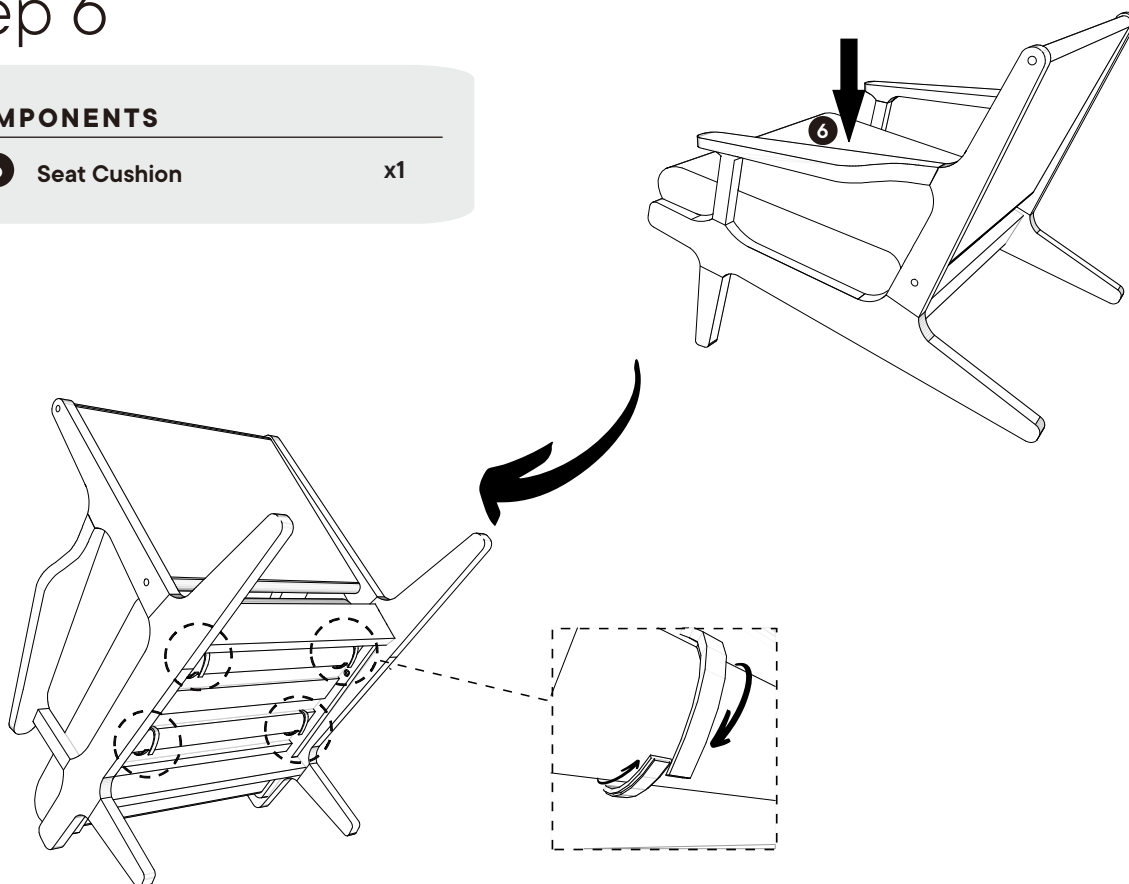
E Dowel Plug x4



Step 6

COMPONENTS

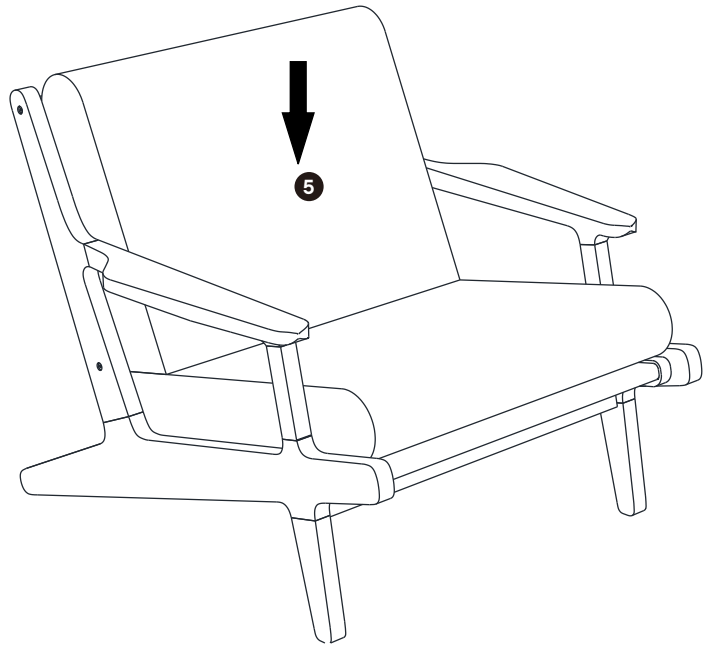
6 Seat Cushion x1



Step 7

COMPONENTS

5 Back Cushion x1



Great job!

Your new sofa is complete.

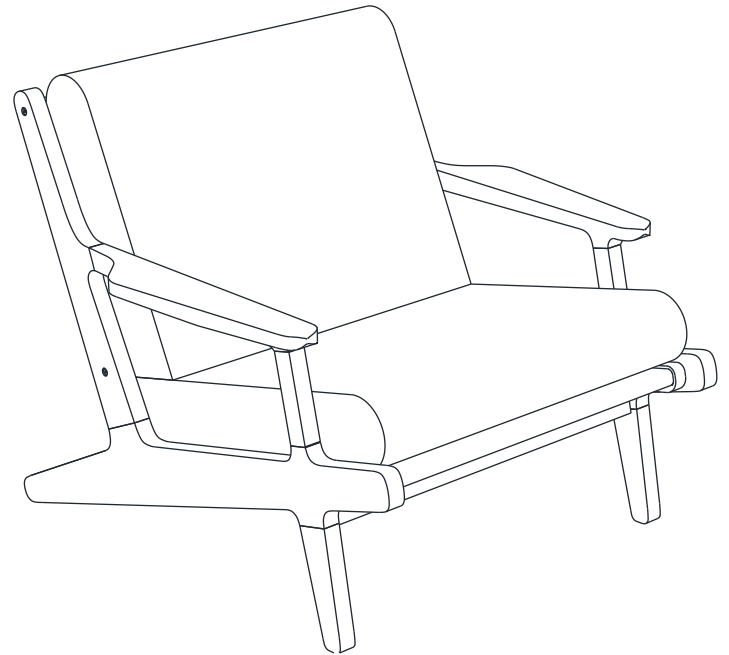
♥ CARING FOR YOUR ITEM

Depending on use, it may be necessary to tighten the hardware from time to time, so please save the tools that have been provided.

Not contract grade.

Clean using a non-abrasive cloth and a mild cleaner.

Retain the rich wood color by occasionally sanding lightly and applying a teak cleaner and protectant. The oils nourish and help restore the original look.



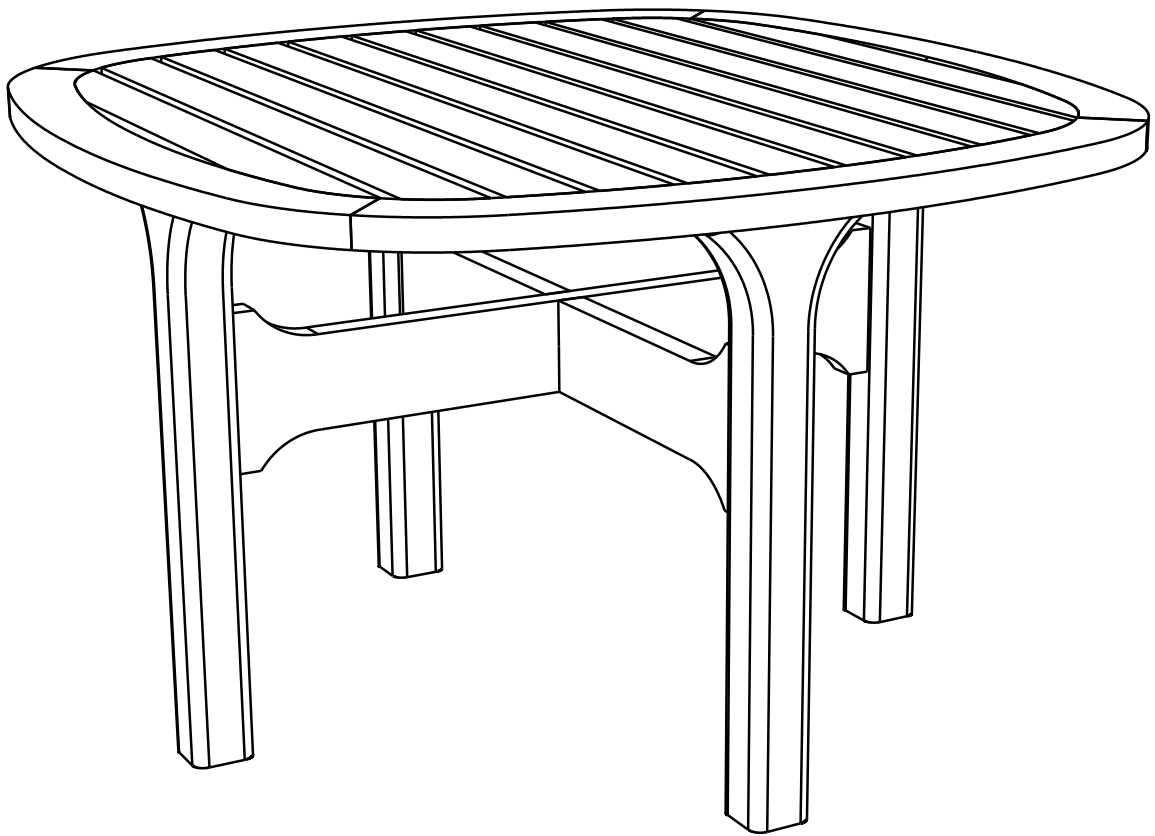
CONNECT WITH US!   

Tag us [@modway_furniture](#) and [#modway](#) for a chance to be featured.

ASSEMBLY INSTRUCTIONS

EEI-7263

V0.10.23.24



Questions? Contact us!

609.256.9000 • cs@modway.com
www.modway.com

*modway

Let's get started!

*modway



Read through all of the instructions before starting



Care instructions are listed in the last step of this manual



Approx. 30 minutes assembly time



Make sure you have all parts and components before discarding any packing materials



2 people recommended for assembly

Only use hand tools to assemble this item. Do not use power tools. Do not tighten bolts or screws completely until all hardware is lined up

Do not over-tighten screws and bolts to avoid stripping the hardware or cracking the item.




Assemble your item on a flat, carpeted area, with plenty of space to work. This will prevent damage and scratches to your floors or the item while you're assembling the product.

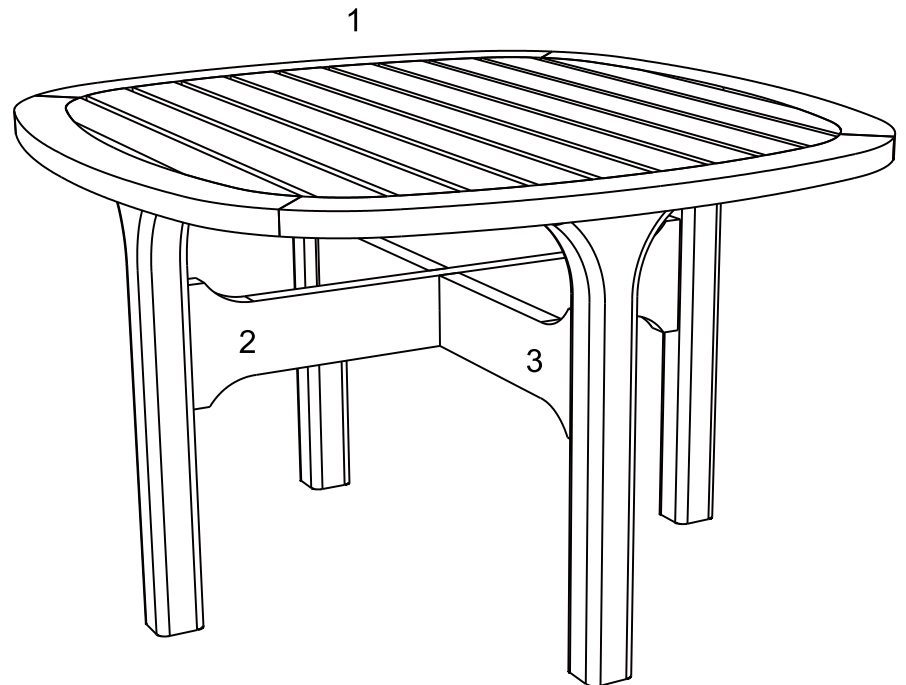
Keep all components and packaging out of reach of children or animals to avoid risk of choking or suffocation.

Furniture components:

1	Top Table	x1
2	Leg 1	x1
3	Leg 2	x1

Provided hardware:

A	 JCBC M6 x 50 mm	x1
B	 Screw 5/8 inch	x8
C	 Allen Key	x1



What you need:

D  Phillips Head Screwdriver

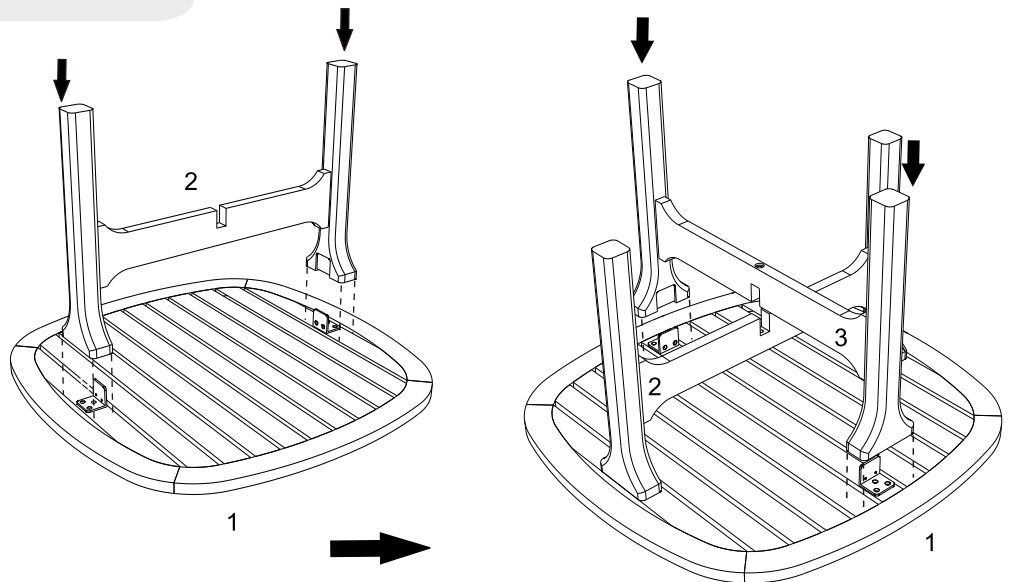
Wait!

Missing parts or hardware? Need assistance?
Contact us before returning your item. We're here to help!
609.256.9000 • cs@modway.com

Step 1

COMPONENTS

- ① Top Table x1
- ② Leg 1 x1
- ③ Leg 2 x1



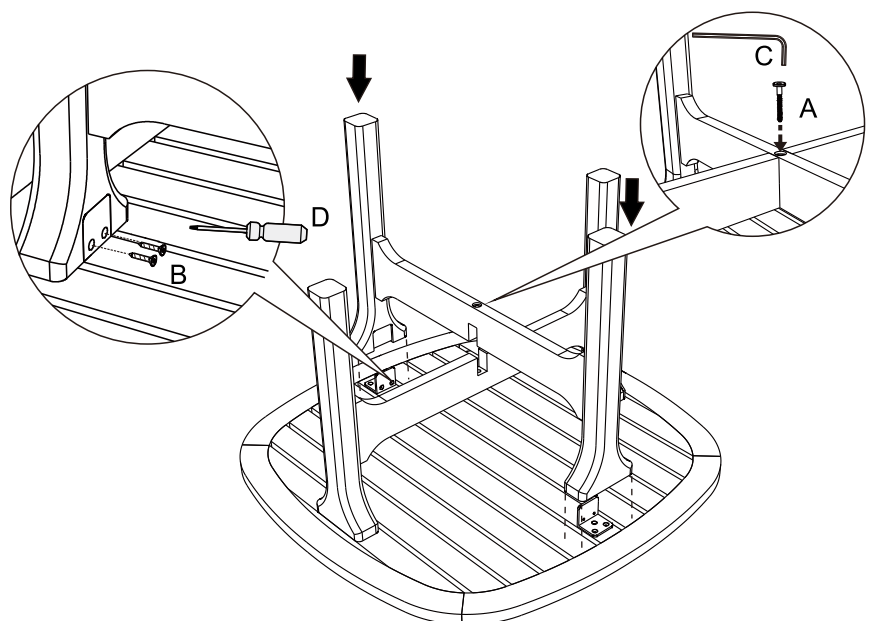
Step 2

HARDWARE

- Ⓐ JCBC M6 X 50 x1
- Ⓑ Screw 5/8 inch x8

TOOLS

- Ⓒ Allen Key x1
- Ⓓ Phillips Head Screwdriver x1



Great job!

Your new side table is complete.

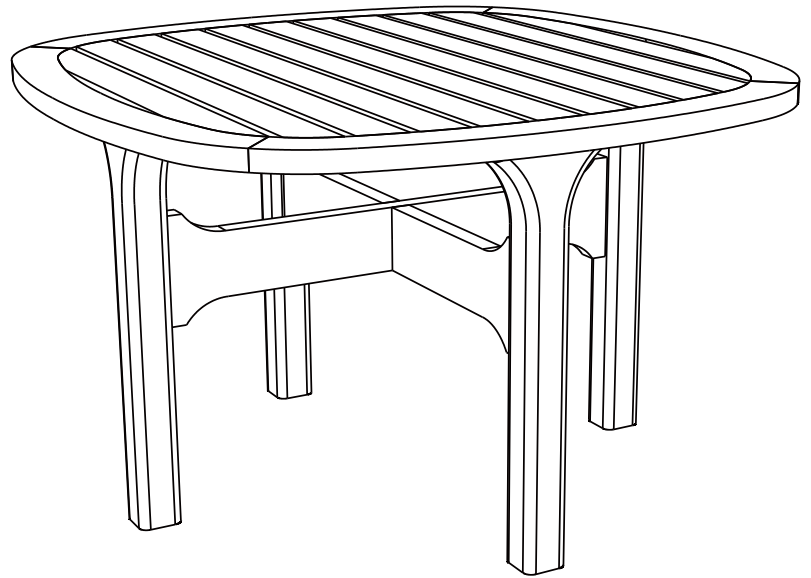
♥ CARING FOR YOUR ITEM

Depending on use, it may be necessary to tighten the hardware from time to time, so please save the tools that have been provided.

Not contract grade.

Clean using a non-abrasive cloth and a mild cleaner.

Retain the rich wood color by occasionally sanding lightly and applying a teak cleaner and protectant. The oils nourish and help restore the original look.



CONNECT WITH US!   

Tag us [@modway_furniture](#) and [#modway](#) for a chance to be featured.