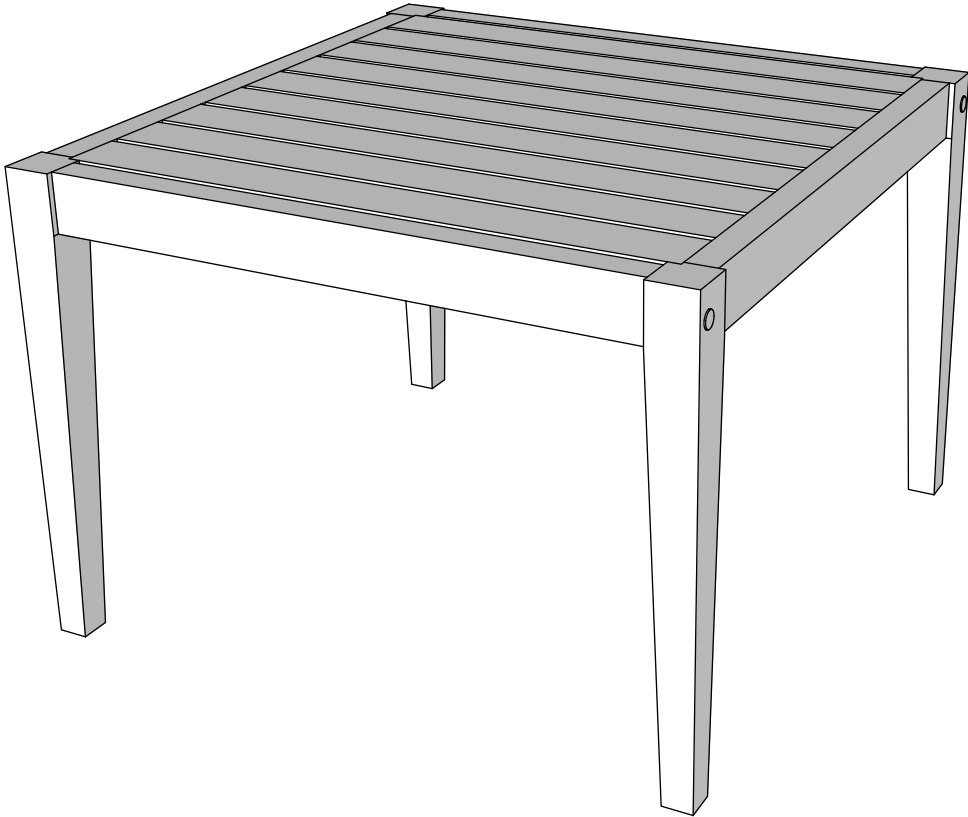


ASSEMBLY INSTRUCTIONS

EEI-7258

V0.10.23.24



Questions? Contact us!

609.256.9000 • cs@modway.com
www.modway.com



Let's get started!

*modway



Read through all of the instructions before starting



Care instructions are listed in the last step of this manual



Approx. 30 minutes assembly time



Make sure you have all parts and components before discarding any packing materials



2 people recommended for assembly

Only use hand tools to assemble this item. Do not use power tools. Do not tighten bolts or screws completely until all hardware is lined up

Do not over-tighten screws and bolts to avoid stripping the hardware or cracking the item.




Assemble your item on a flat, carpeted area, with plenty of space to work. This will prevent damage and scratches to your floors or the item while you're assembling the product.

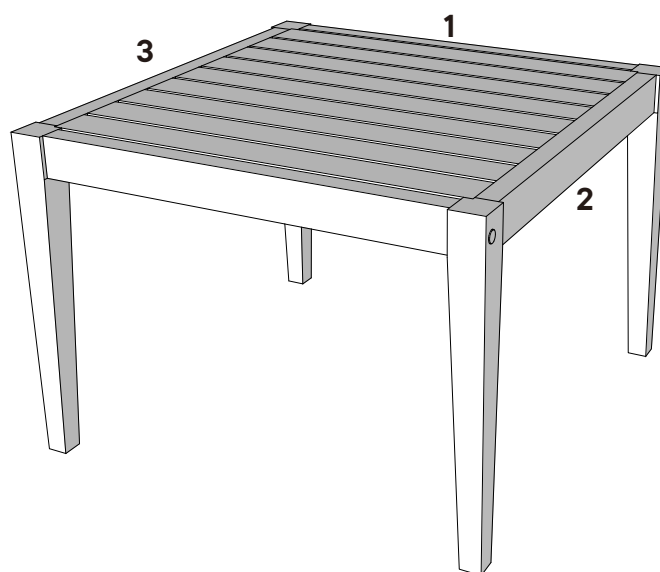
Keep all components and packaging out of reach of children or animals to avoid risk of choking or suffocation.

Furniture components:

1	Top Table	x1
2	Right Legs	x1
3	Left Legs	x1

Provided hardware:

A	 JCBC M6 X 50	x4
B	 Allen Key	x1
C	 Dowel Plug	x4



Wait!

Missing parts or hardware? Need assistance?

Contact us before returning your item. We're here to help!

609.256.9000 • cs@modway.com

Step 1

COMPONENTS

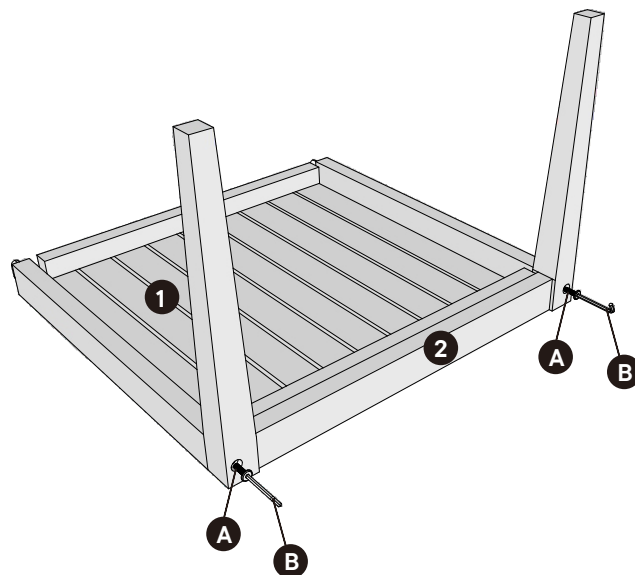
- | | | |
|---|------------|----|
| 1 | Top Table | x1 |
| 2 | Right Legs | x1 |

HARDWARE

- | | | |
|---|--------------|----|
| A | JCBC M6 X 50 | x2 |
|---|--------------|----|

TOOLS

- | | | |
|---|-----------|----|
| B | Allen Key | x1 |
|---|-----------|----|



Step 2

COMPONENTS

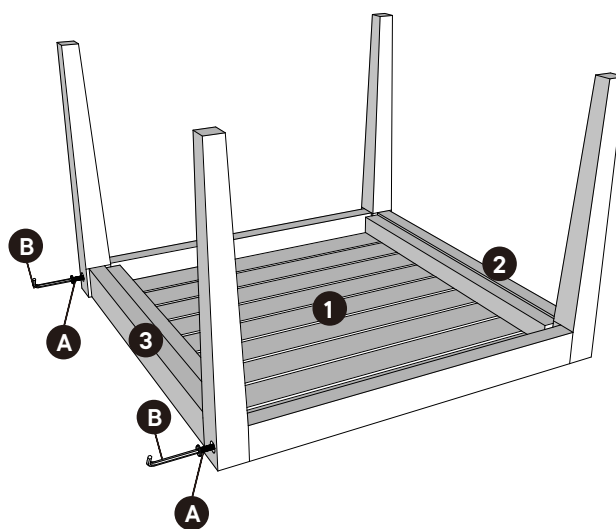
- | | | |
|---|-----------|----|
| 3 | Left Legs | x1 |
|---|-----------|----|

HARDWARE

- | | | |
|---|--------------|----|
| A | JCBC M6 X 50 | x2 |
|---|--------------|----|

TOOLS

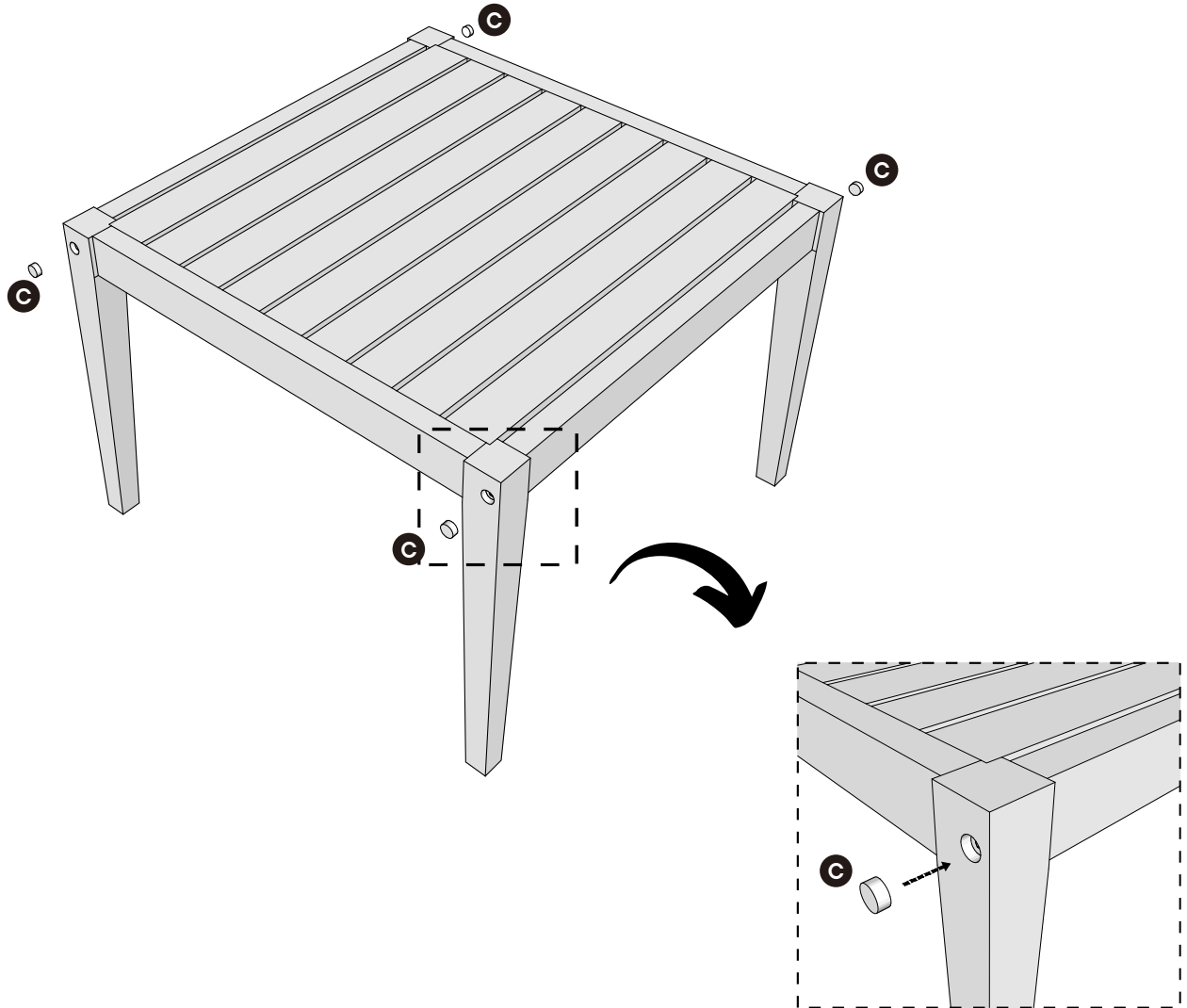
- | | | |
|---|-----------|----|
| B | Allen Key | x1 |
|---|-----------|----|



Step 3

HARDWARE

C Dowel Plug x4



Great job!

Your new side table is complete.

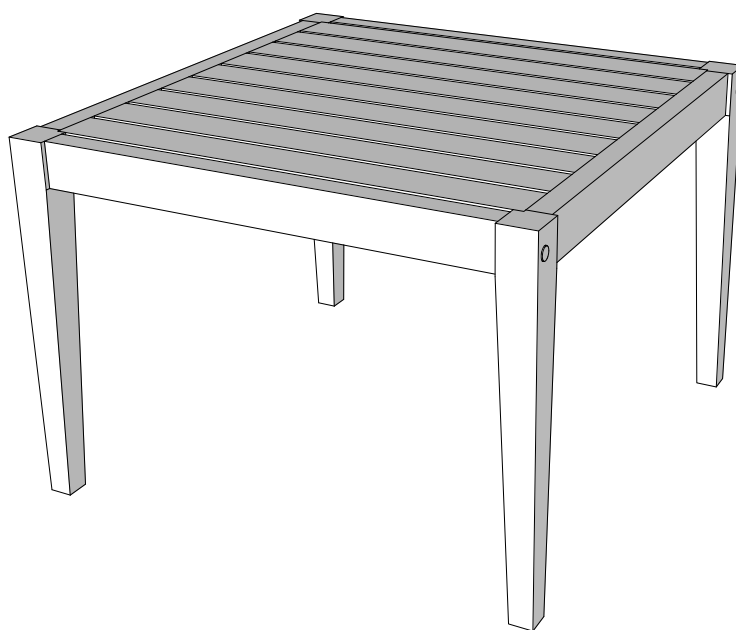
♥ CARING FOR YOUR ITEM

Depending on use, it may be necessary to tighten the hardware from time to time, so please save the tools that have been provided.

Not contract grade.

Clean using a non-abrasive cloth and a mild cleaner.

Retain the rich wood color by occasionally sanding lightly and applying a teak cleaner and protectant. The oils nourish and help restore the original look.



CONNECT WITH US!   

Tag us [@modway_furniture](#) and [#modway](#) for a chance to be featured.