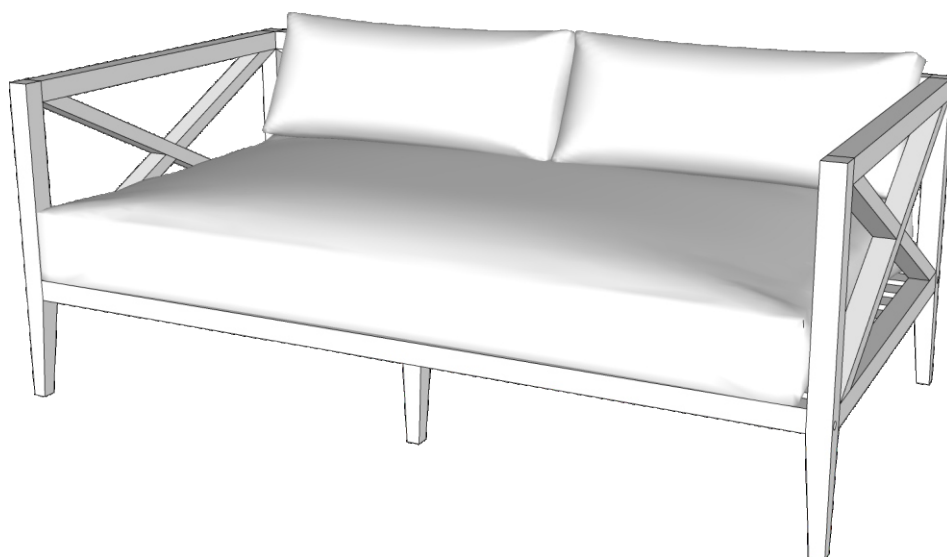


ASSEMBLY INSTRUCTIONS

EEI-7254

VO.10.23.24



Questions? Contact us!

609.256.9000 • cs@modway.com
www.modway.com

***modway**

Let's get started!

*modway



Read through all of the instructions before starting



Care instructions are listed in the last step of this manual



Approx. 30 minutes assembly time



Make sure you have all parts and components before discarding any packing materials



2 people recommended for assembly

Only use hand tools to assemble this item. Do not use power tools. Do not tighten bolts or screws completely until all hardware is lined up

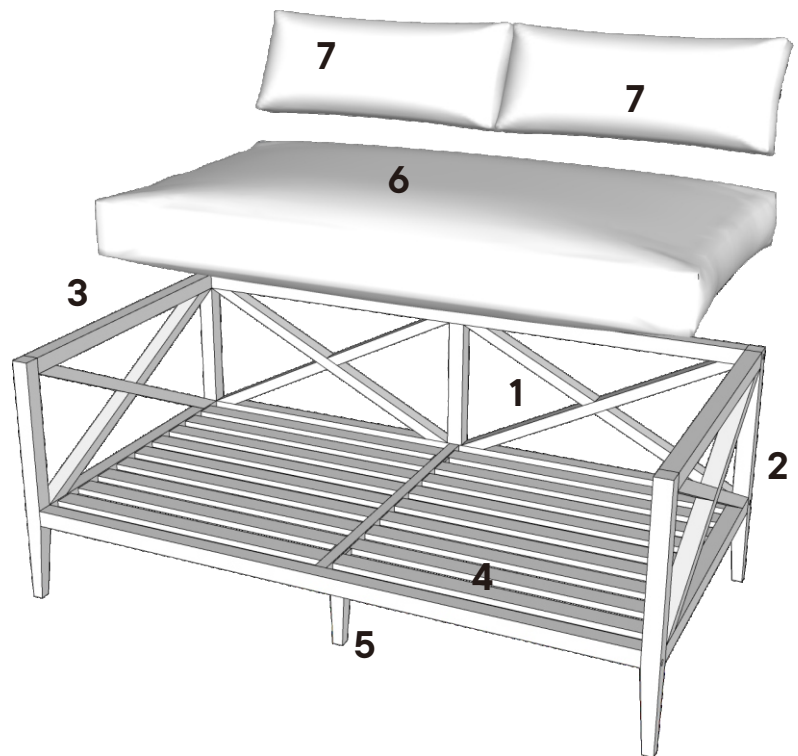
Do not over-tighten screws and bolts to avoid stripping the hardware or cracking the item.

Assemble your item on a flat, carpeted area, with plenty of space to work. This will prevent damage and scratches to your floors or the item while you're assembling the product.




Keep all components and packaging out of reach of children or animals to avoid risk of choking or suffocation.

Furniture components:

| | | |
|---|------------------|----|
| 1 | Backrest | x1 |
| 2 | Right Frame | x1 |
| 3 | Left Frame | x1 |
| 4 | Seat Base | x1 |
| 5 | Middle Legs | x2 |
| 6 | Seat Cushion | x1 |
| 7 | Backrest Cushion | x2 |



Provided hardware:

| | | |
|---|--|-----|
| A |  JCBC M6x40mm | x18 |
| B |  Allen Key | x1 |
| C |  Dowel Plug | x10 |

Wait!

Missing parts or hardware? Need assistance?

Contact us before returning your item. We're here to help!

609.256.9000 • cs@modway.com

Step 1

COMPONENTS

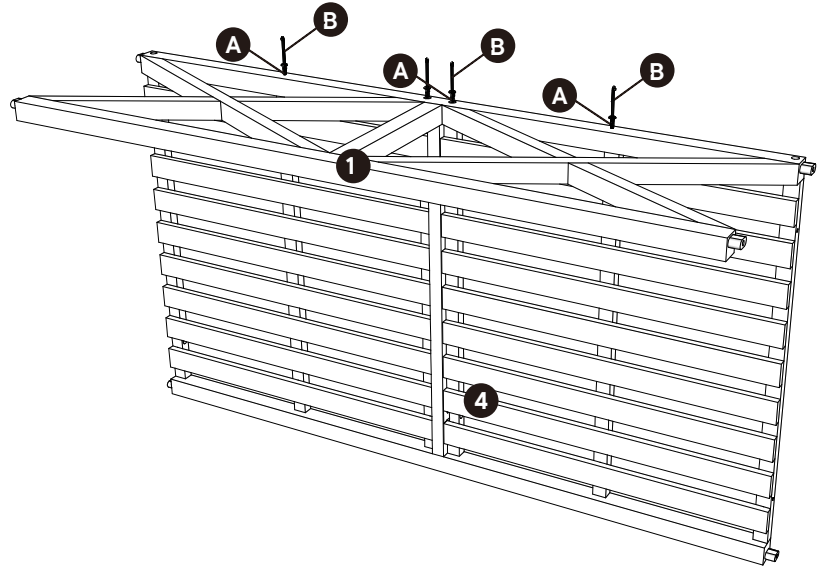
- 1** Backrest x1
- 4** Seat Base x1

HARDWARE

- A** JCBC M6 x 40mm x4

TOOLS

- B** Allen Key x1



Step 2

COMPONENTS

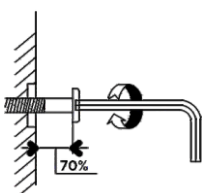
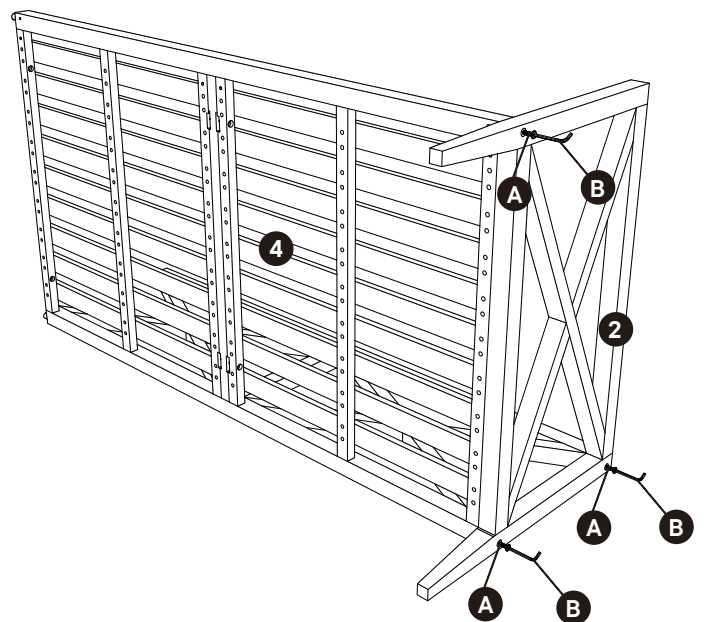
- 2** Right Frame x1

HARDWARE

- A** JCBC M6 x 40mm x3

TOOLS

- B** Allen Key x1



NOTE : Do not fully tighten the bolt

Step 3

COMPONENTS

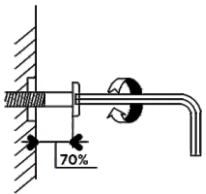
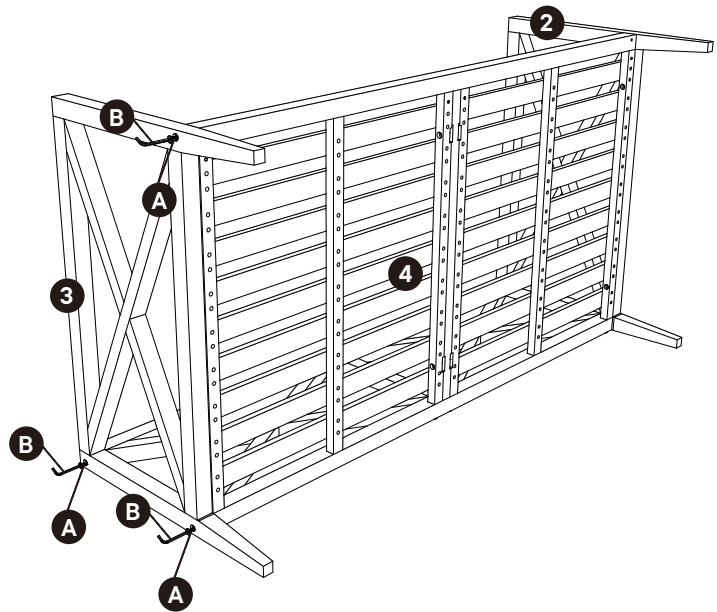
③ Left Frame x1

HARDWARE

Ⓐ JCBC M6 x 40mm x3

TOOLS

Ⓑ Allen Key x1

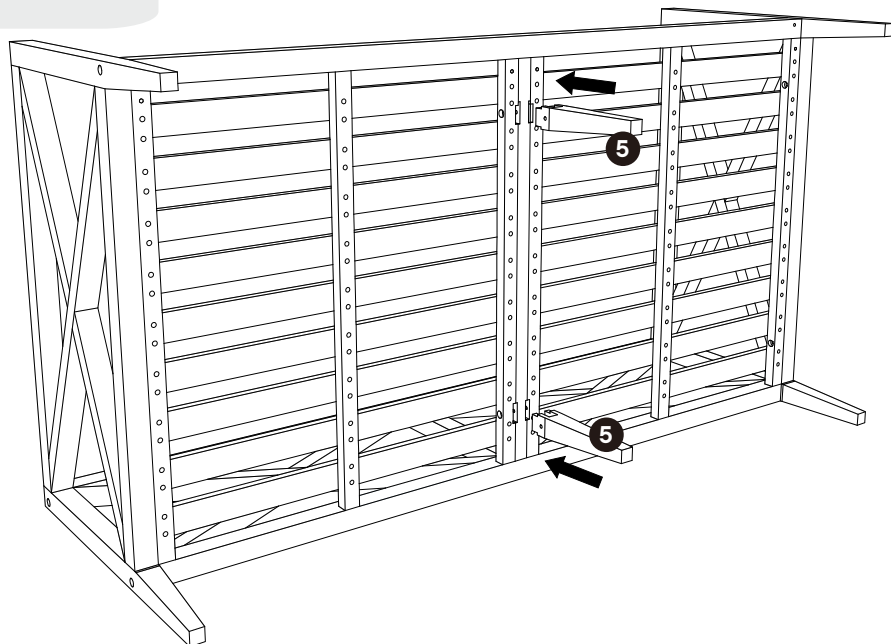


NOTE : Do not fully tighten the bolt

Step 4

COMPONENTS

⑤ Middle Legs x2



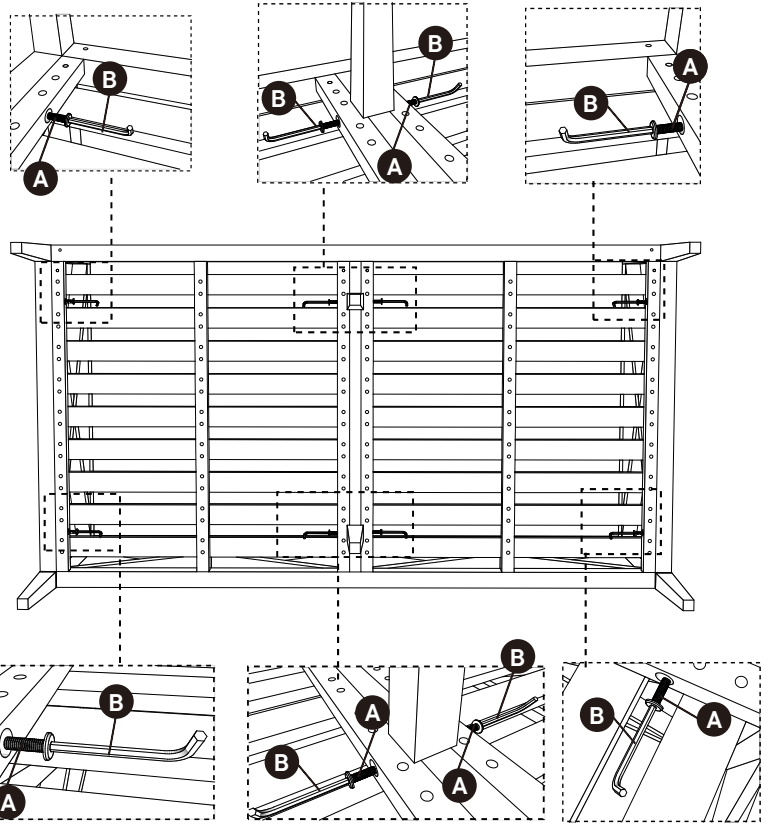
Step 5

HARDWARE

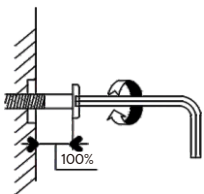
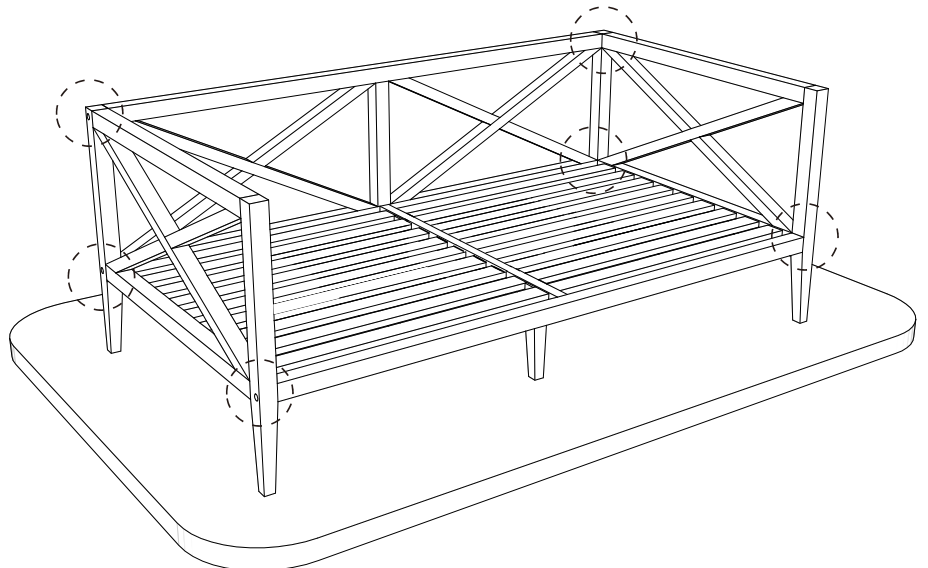
A JCBC M6 x 40mm x8

TOOLS

B Allen Key x1



Step 6

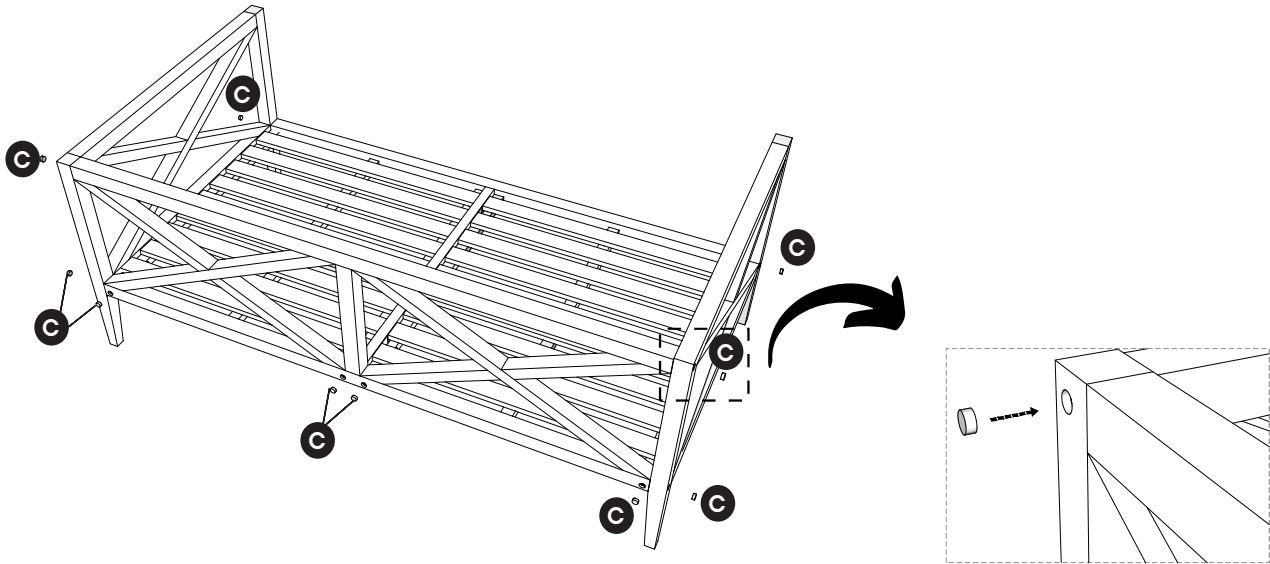


NOTE : Use the allen key to tighten all the bolts securely.

Step 7

HARDWARE

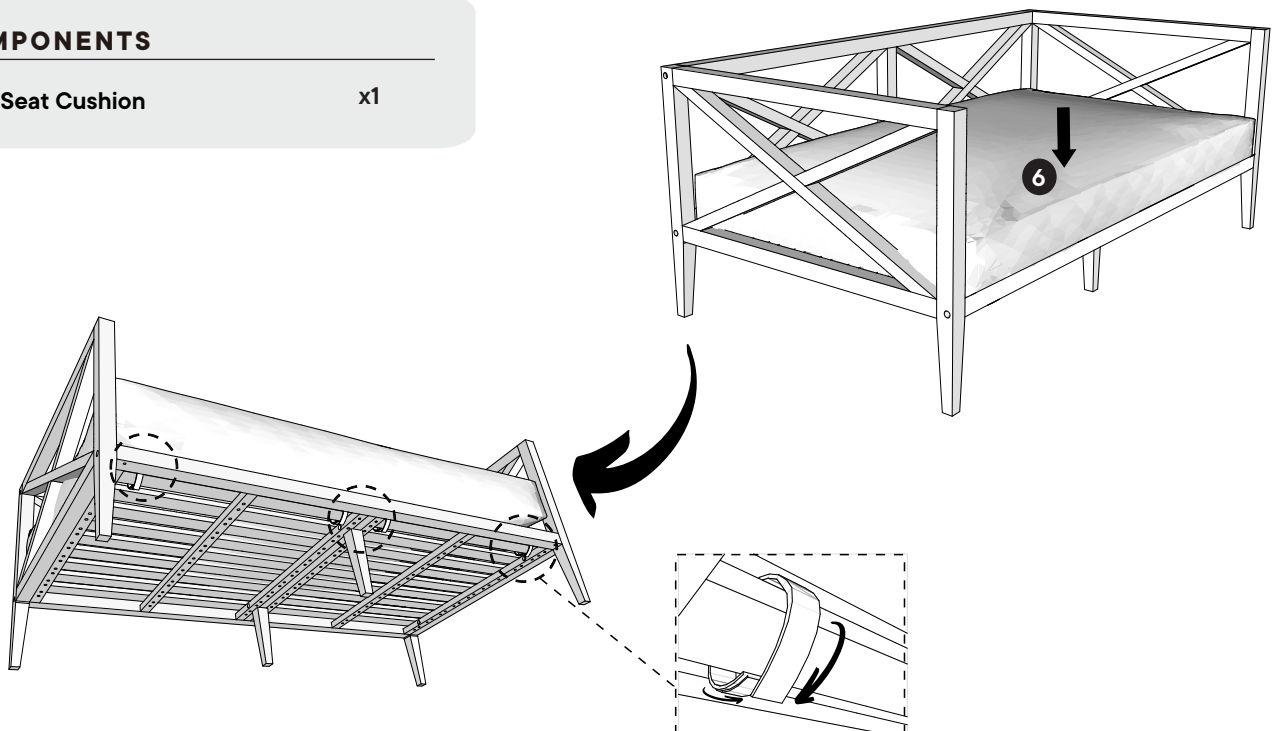
C  Dowel Plug x10



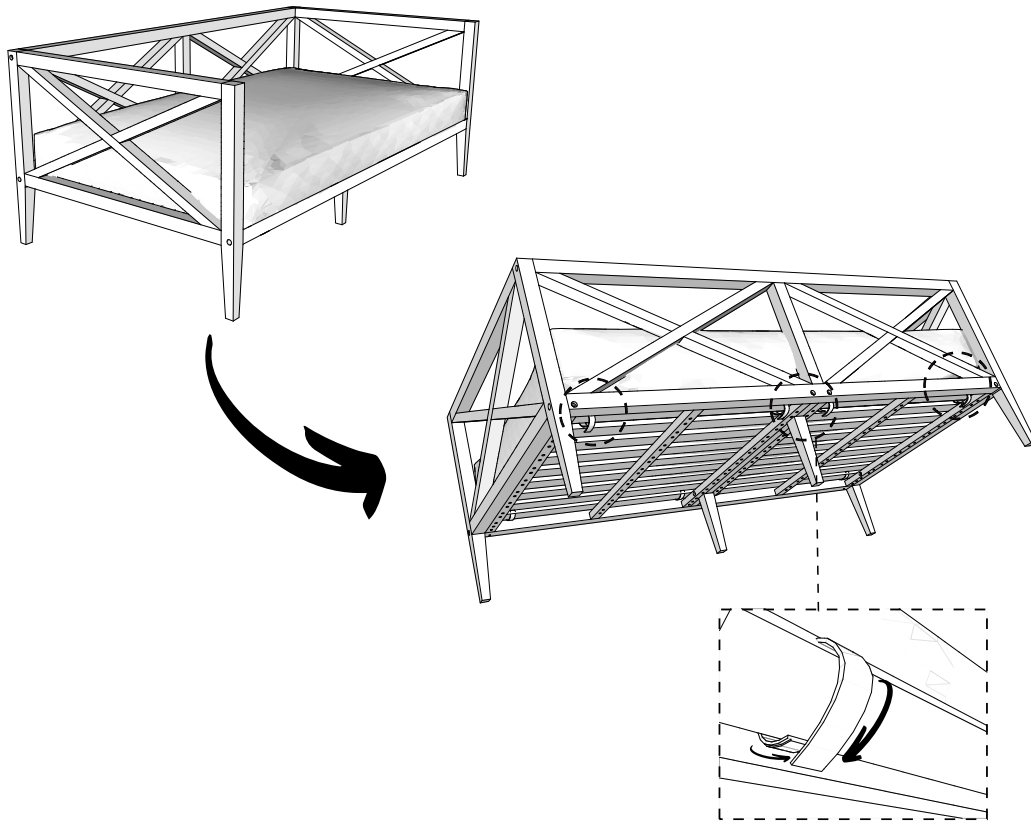
Step 8

COMPONENTS

6 Seat Cushion x1



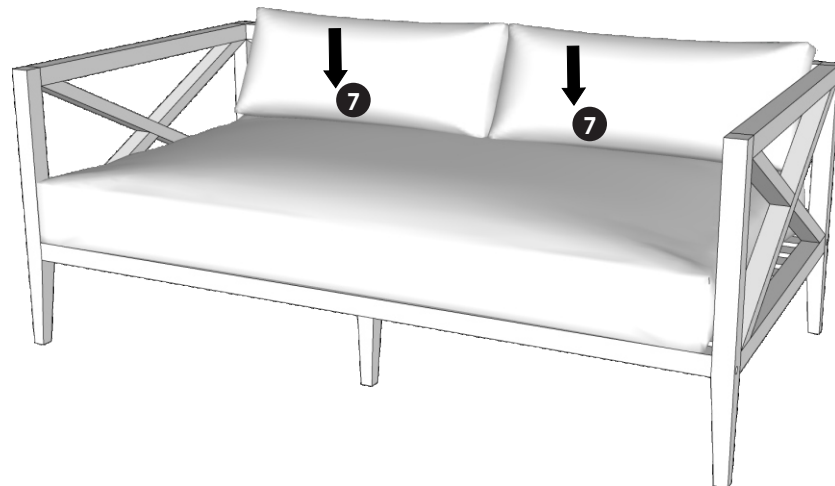
Step 9



Step 10

COMPONENTS

7 Backrest Cushion x2



Great job!

Your new sofa is complete.

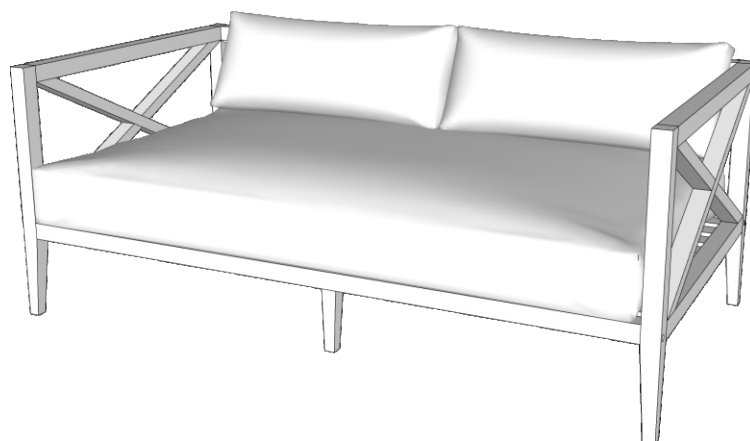
♥ CARING FOR YOUR ITEM

Depending on use, it may be necessary to tighten the hardware from time to time, so please save the tools that have been provided.

Not contract grade.

Clean using a non-abrasive cloth and a mild cleaner.

Retain the rich wood color by occasionally sanding lightly and applying a teak cleaner and protectant. The oils nourish and help restore the original look.



CONNECT WITH US!   

Tag us [@modway_furniture](#) and [#modway](#) for a chance to be featured.