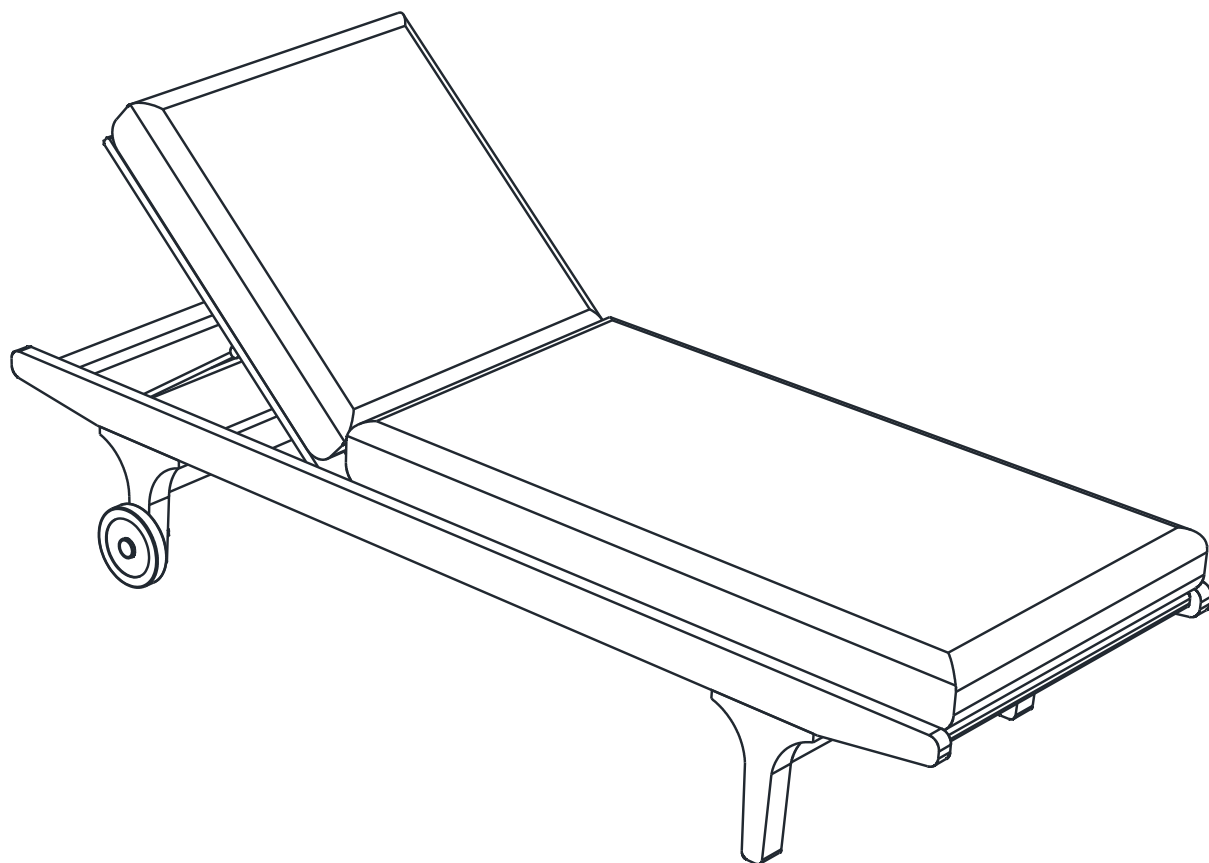


ASSEMBLY INSTRUCTIONS

EEI-7251

V0.10.23.24



Questions? Contact us!

609.256.9000 • cs@modway.com
www.modway.com

***modway**

Let's get started!

*modway



Read through all of the instructions before starting



Care instructions are listed in the last step of this manual



Approx. 30 minutes assembly time



Make sure you have all parts and components before discarding any packing materials



2 people recommended for assembly

Only use hand tools to assemble this item. Do not use power tools. Do not tighten bolts or screws completely until all hardware is lined up

Do not over-tighten screws and bolts to avoid stripping the hardware or cracking the item.








Assemble your item on a flat, carpeted area, with plenty of space to work. This will prevent damage and scratches to your floors or the item while you're assembling the product.

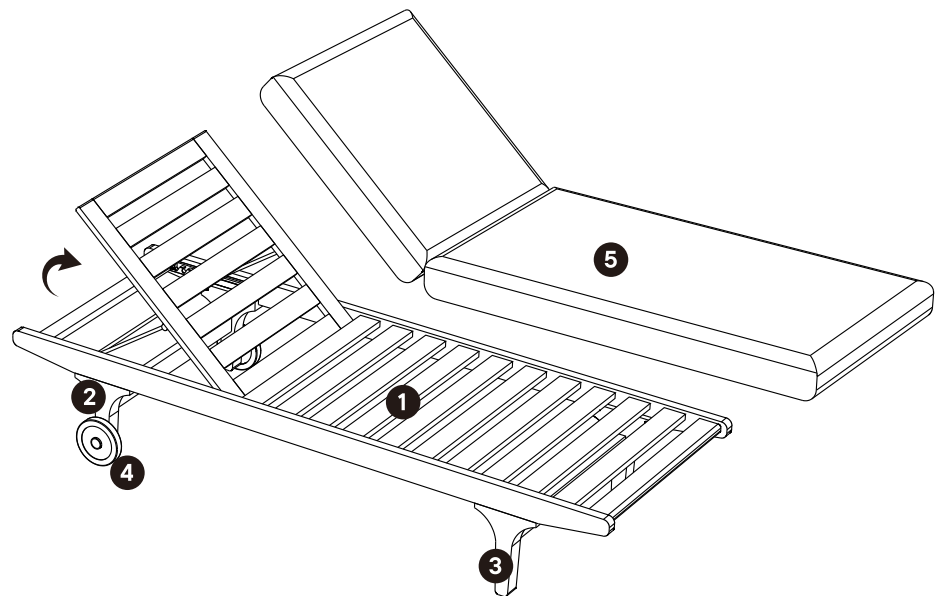
Keep all components and packaging out of reach of children or animals to avoid risk of choking or suffocation.

Furniture components:

1	Lounger Frame	x1
2	Back Leg	x1
3	Front Leg	x1
4	Wheels	x2
5	Cushion	x1

Provided hardware:

A	 JCBC M8x40mm	x8
B	 Allen Key M8	x1
C	 Wrench 17	x1
D	 Bolt	x2
E	 Flat Washer Ø25mm	x2
F	 Flat Washer Ø20mm	x2
G	 Nuts	x2



Wait!

Missing parts or hardware? Need assistance?

Contact us before returning your item. We're here to help!

609.256.9000 • cs@modway.com

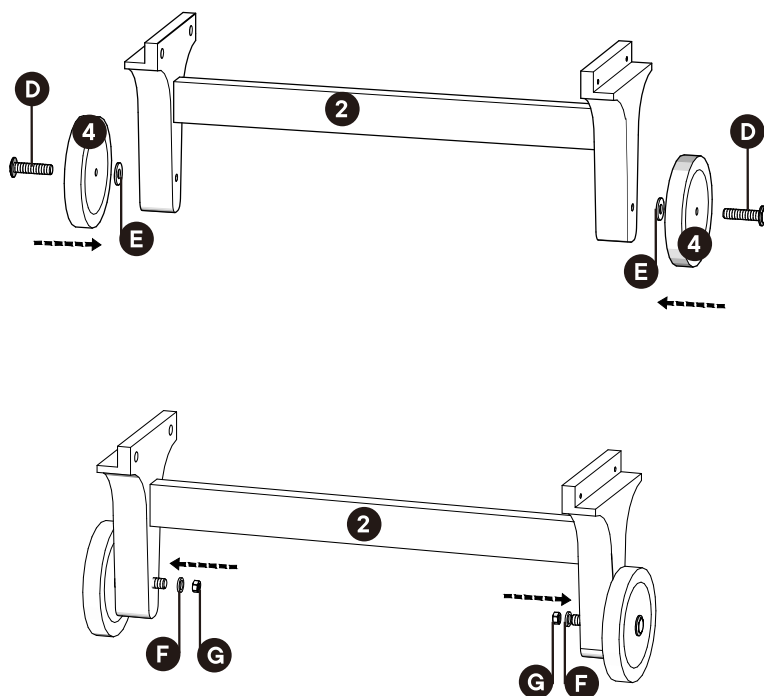
Step 1

COMPONENTS

- 2 Back Leg x1
- 4 Wheels x2

HARDWARE

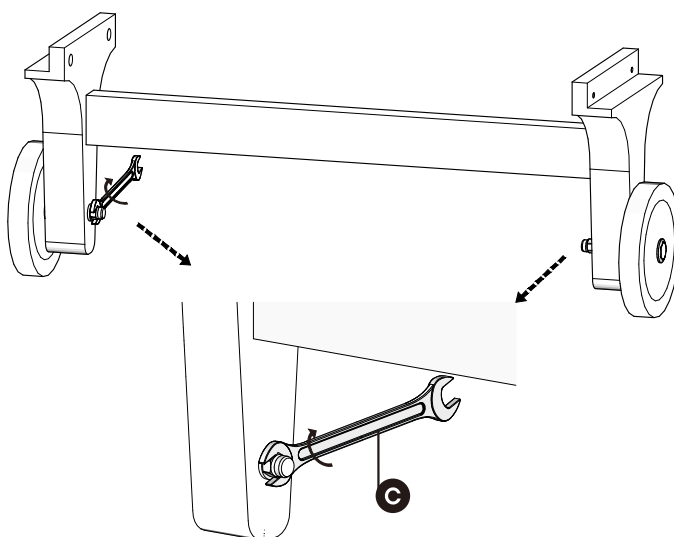
- D Bolt x2
- E Flat Washer $\varnothing 25$ mm x2
- F Flat Washer $\varnothing 20$ mm x2
- G Nuts x2



Step 2

TOOLS

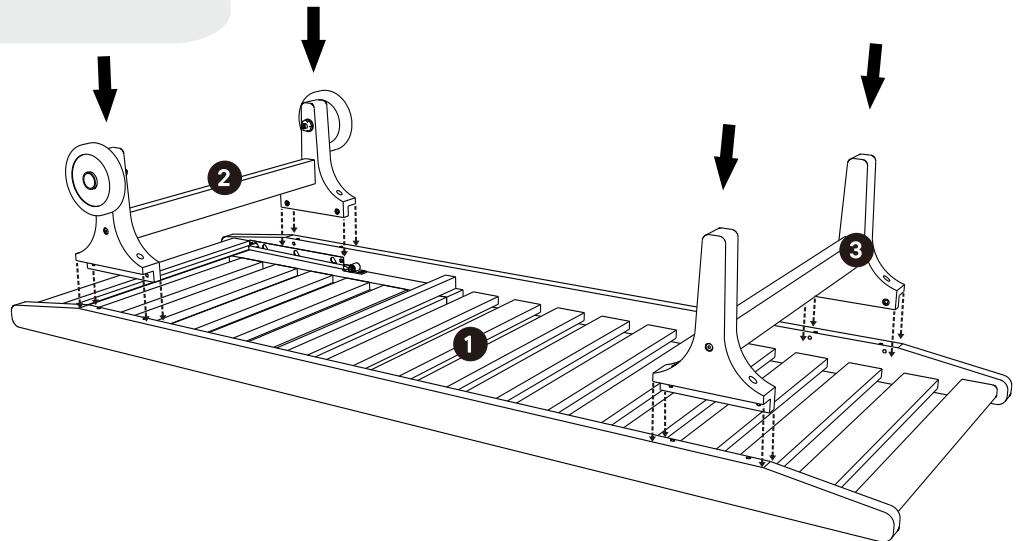
- C Wrench 17 x1



Step 3

COMPONENTS

1	Lounger Frame	x1
2	Back Leg	x1
3	Front Leg	x1



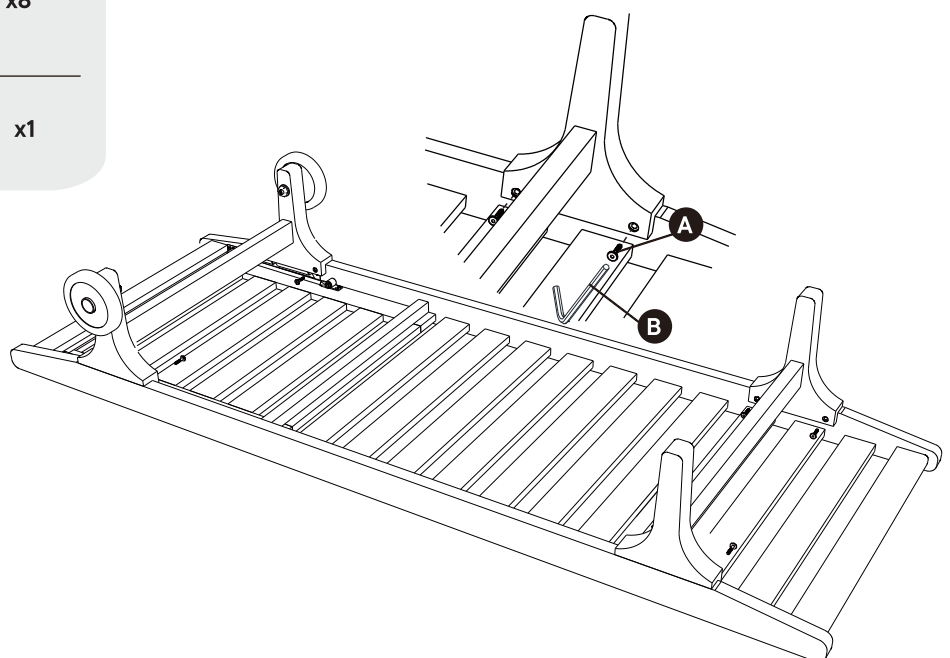
Step 4

HARDWARE

A	JCBC M8 x 40mm	x8
---	----------------	----

TOOLS

B	Allen Key M8	x1
---	--------------	----



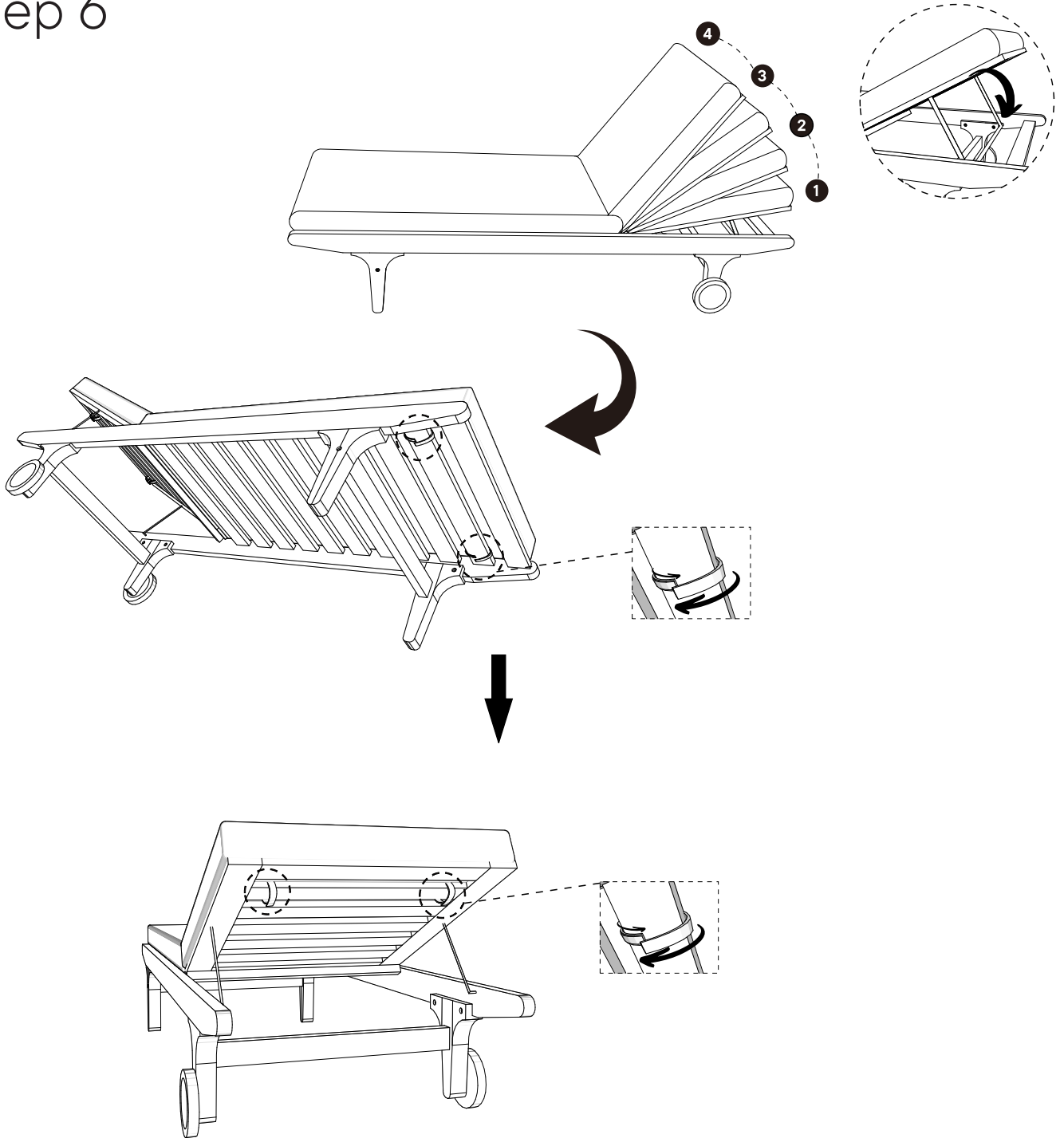
Step 5

COMPONENTS

- 5 Cushion x1



Step 6



Great job!

Your new chaise is complete.

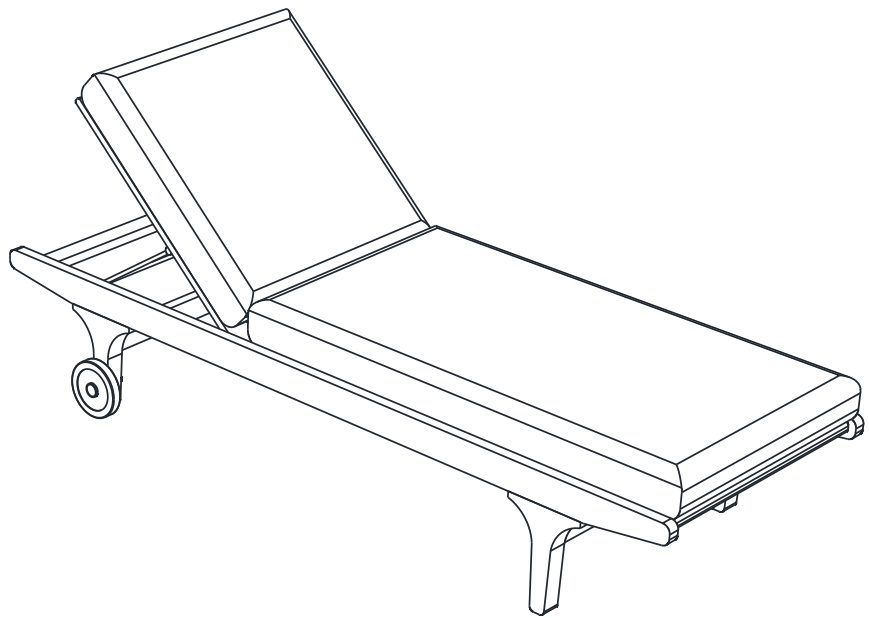
♥ CARING FOR YOUR ITEM

Depending on use, it may be necessary to tighten the hardware from time to time, so please save the tools that have been provided.

Not contract grade.

Clean using a non-abrasive cloth and a mild cleaner.

Retain the rich wood color by occasionally sanding lightly and applying a teak cleaner and protectant. The oils nourish and help restore the original look.



CONNECT WITH US!   

Tag us [@modway_furniture](#) and [#modway](#) for a chance to be featured.