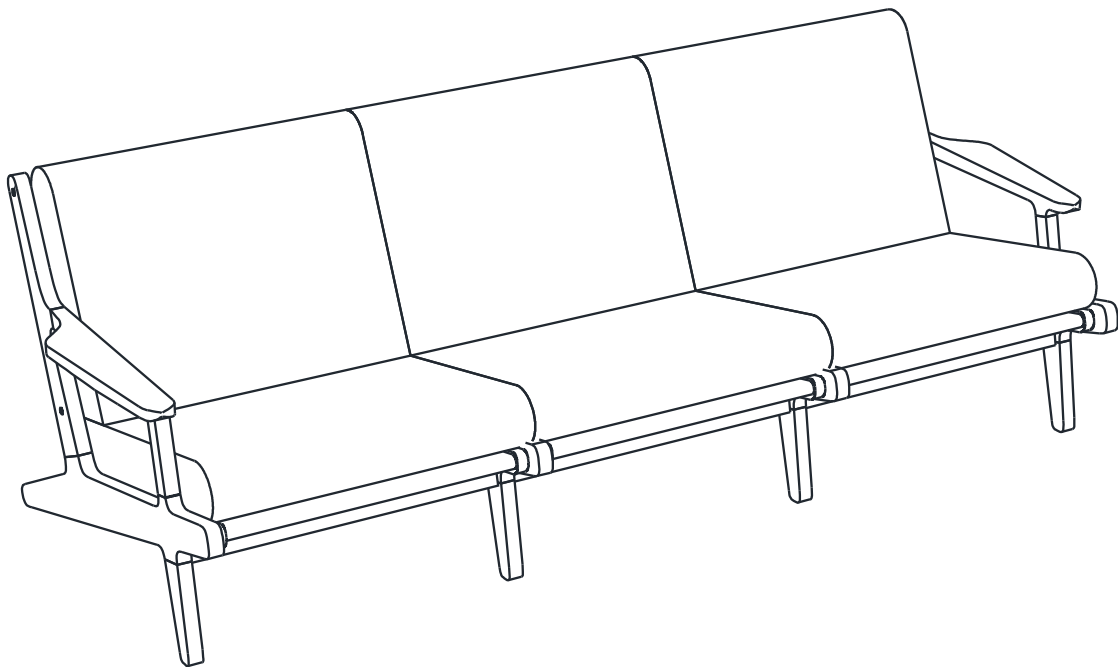


ASSEMBLY INSTRUCTIONS

EEI-7249

V0.10.23.24



Questions? Contact us!

609.256.9000 • cs@modway.com
www.modway.com

*modway

Let's get started!

*modway



Read through all of the instructions before starting



Care instructions are listed in the last step of this manual



Approx. 30 minutes assembly time



Make sure you have all parts and components before discarding any packing materials



2 people recommended for assembly

Only use hand tools to assemble this item. Do not use power tools. Do not tighten bolts or screws completely until all hardware is lined up

Do not over-tighten screws and bolts to avoid stripping the hardware or cracking the item.






Assemble your item on a flat, carpeted area, with plenty of space to work. This will prevent damage and scratches to your floors or the item while you're assembling the product.

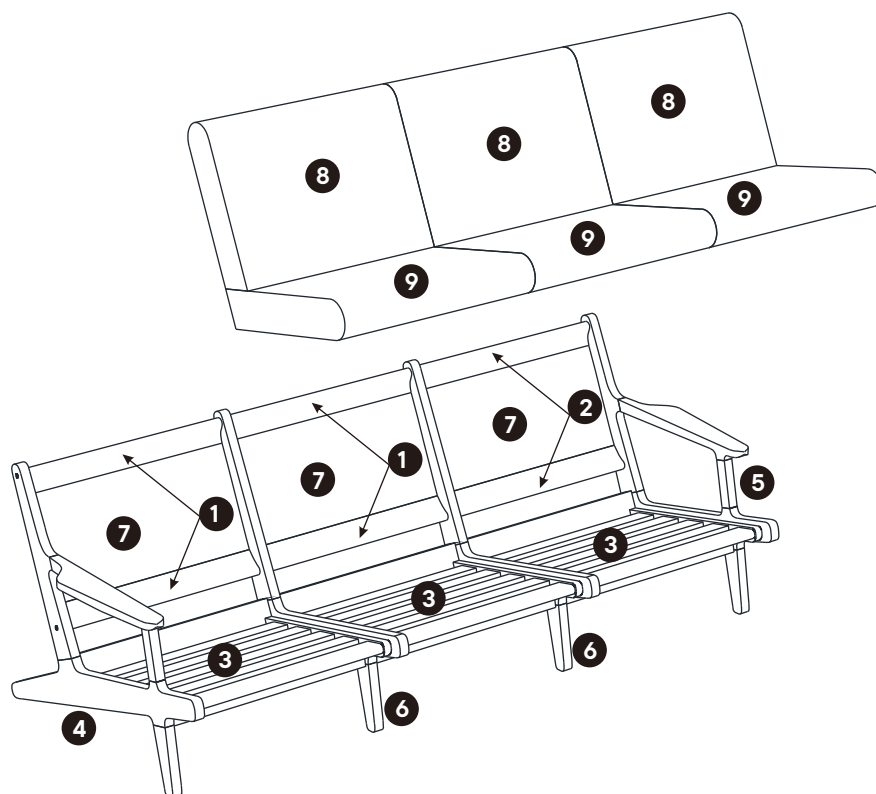
Keep all components and packaging out of reach of children or animals to avoid risk of choking or suffocation.

Furniture components:

1	Back Rail (With Bolt)	x4
2	Back Rail 2	x2
3	Seat Base	x3
4	Left Frame	x1
5	Right Frame	x1
6	Middle Frame	x2
7	Batyline	x3
8	Back Cushion	x3
9	Seat Cushion	x2

Provided hardware:

A	 JCBC M8x40mm	x12
B	 JCBC M6x30mm	x4
C	 Allen Key M8	x1
D	 Allen Key M6	x1
E	 Dowel Plug	x4



Wait!

Missing parts or hardware? Need assistance?

Contact us before returning your item. We're here to help!

609.256.9000 • cs@modway.com

Step 1

COMPONENTS

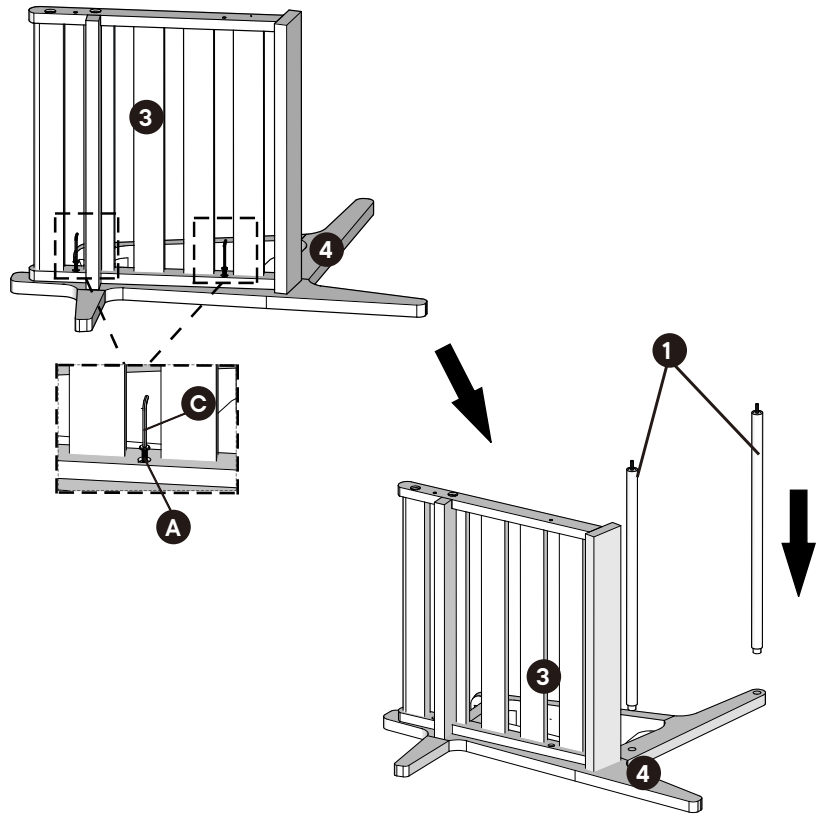
- 1** Back Rail 1 (With Bolt) x2
- 3** Seat Base x1
- 4** Left Frame x1

HARDWARE

- A** JCBC M8 x 40mm x2

TOOLS

- C** Allen Key M8 x1



Step 2

COMPONENTS

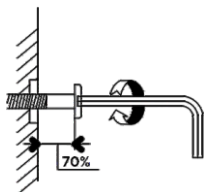
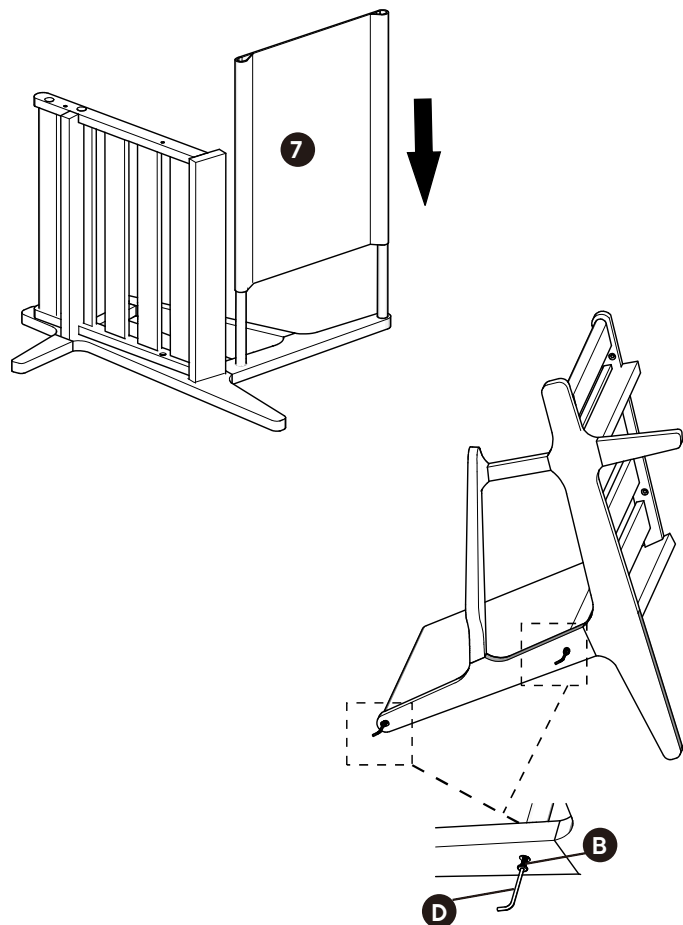
- 7** Batyline x1

HARDWARE

- B** JCBC M6 x 30mm x2

TOOLS

- D** Allen Key M6 x1



NOTE : Do not fully tighten the bolt

Step 3

COMPONENTS

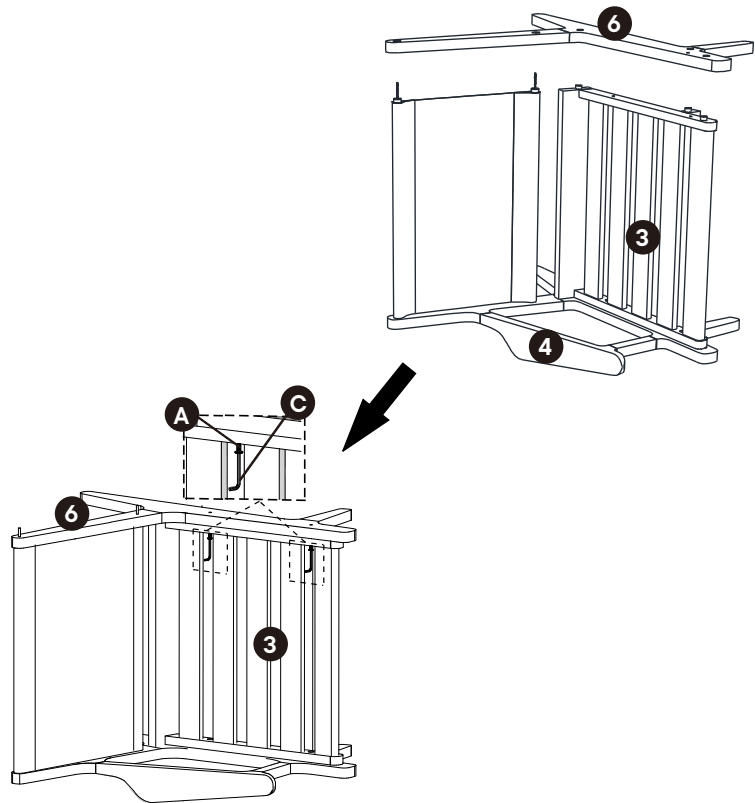
6 Middle Frame x1

HARDWARE

A JCBC M8 x 40mm x2

TOOLS

C Allen Key M8 x1



Step 4

COMPONENTS

1 Back Rail (With Bolt) x2

3 Seat Base x1

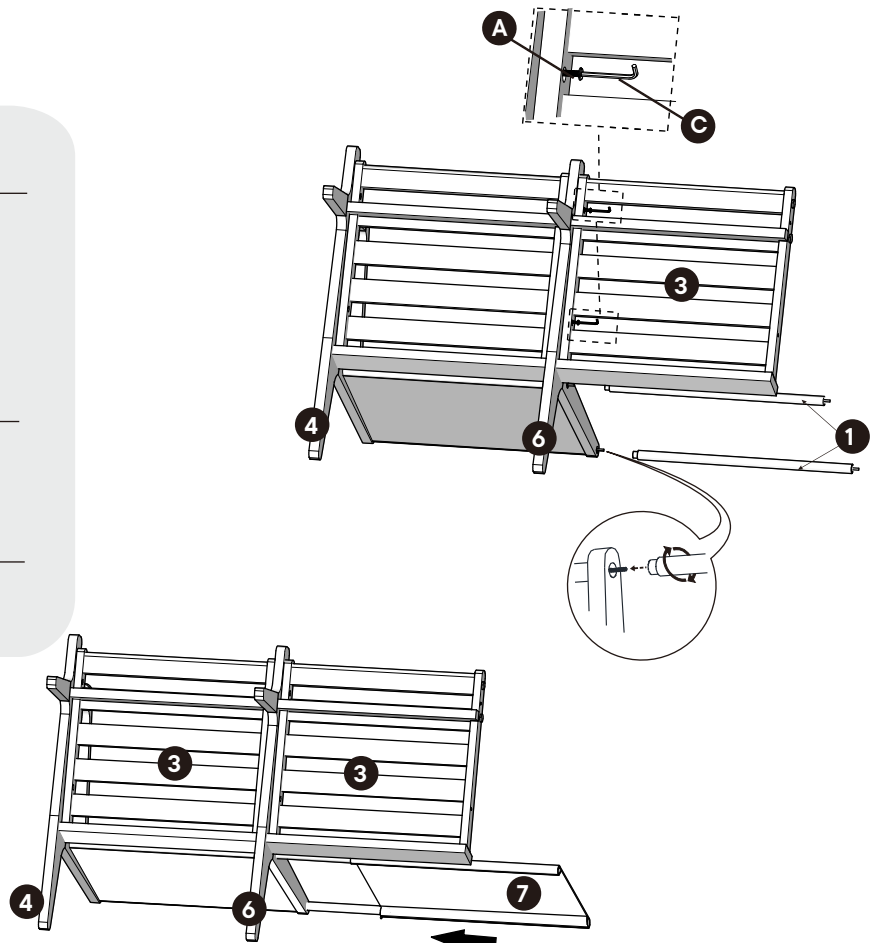
7 Batyline x1

HARDWARE

A JCBC M8 x 40mm x2

TOOLS

C Allen Key M8 x1



Step 5

COMPONENTS

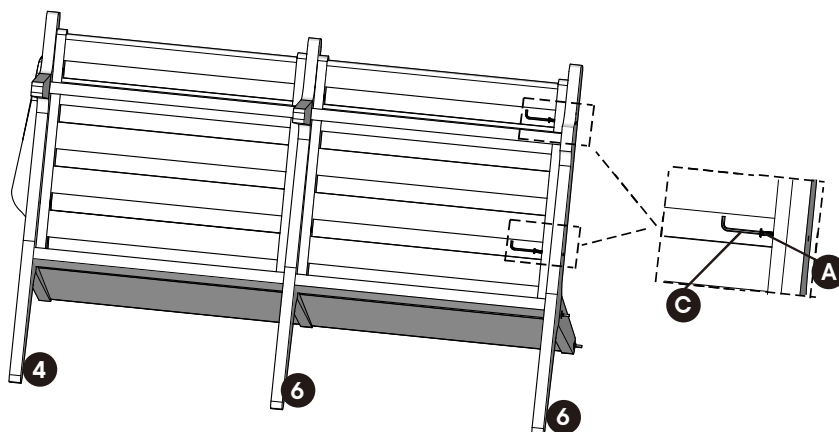
6 Middle Frame x1

HARDWARE

A JCBC M8 x 40mm x2

TOOLS

C Allen Key M8 x1



Step 6

COMPONENTS

2 Back Rail 2 x1

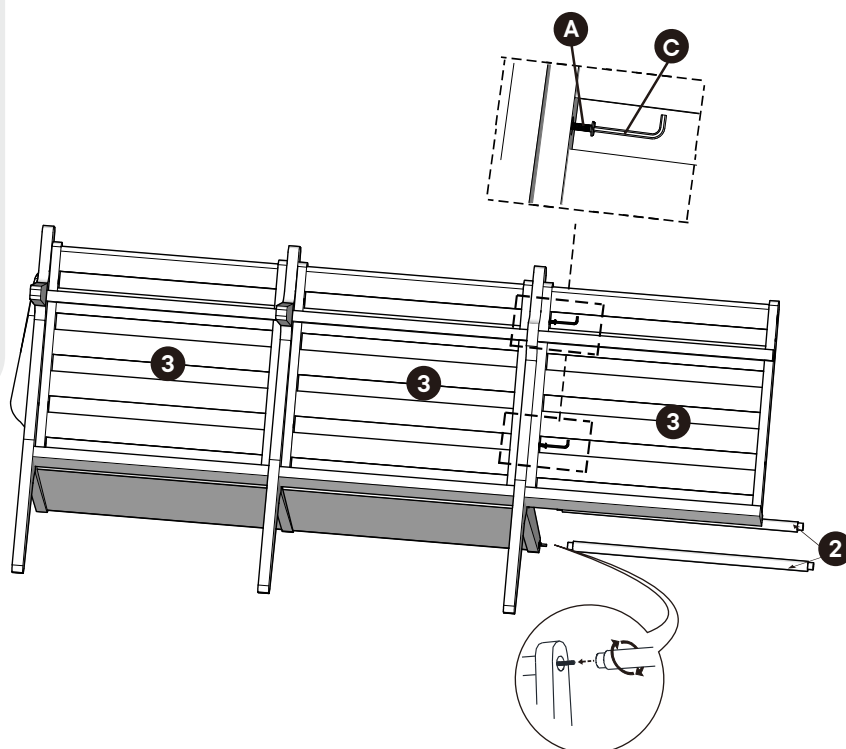
3 Seat Base x1

HARDWARE

A JCBC M8 x 40mm x2

TOOLS

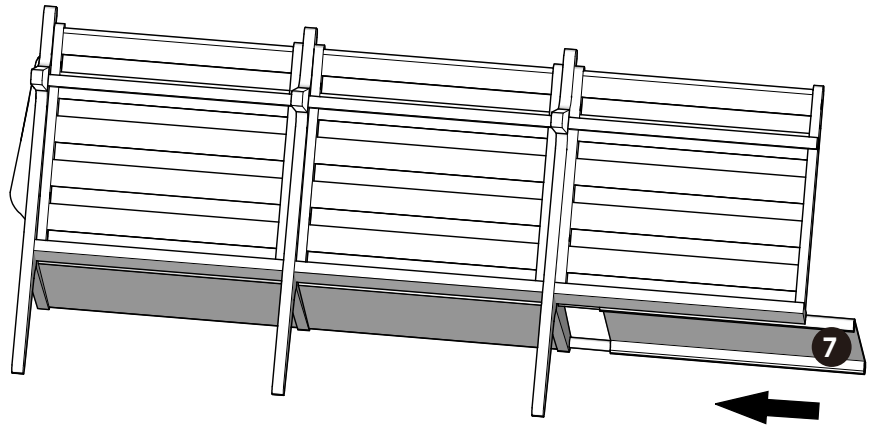
C Allen Key M8 x1



Step 7

COMPONENTS

- 7** Batyline x1



Step 8

COMPONENTS

- 5** Right Frame x1

HARDWARE

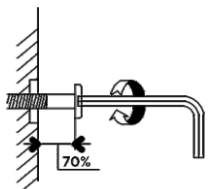
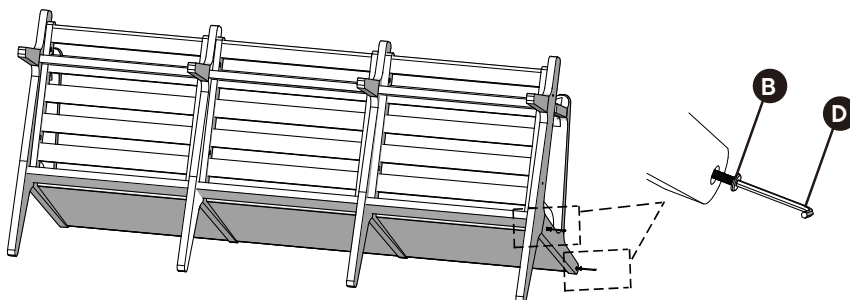
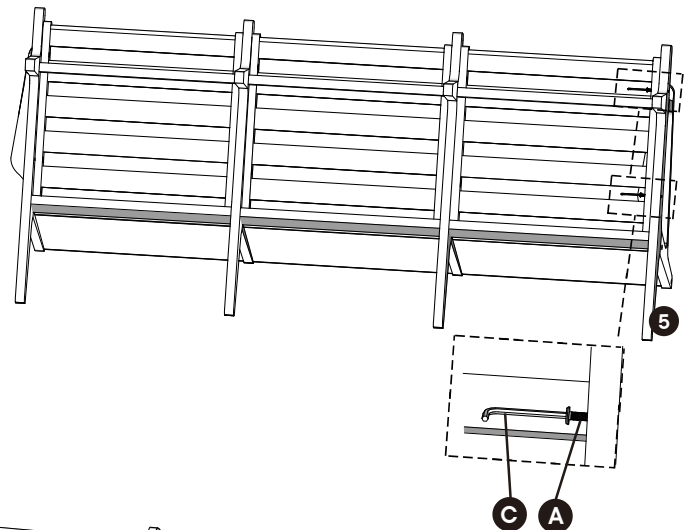
- A** JCBC M8 x 40mm x2

- B** JCBC M6 x 30mm x2

TOOLS

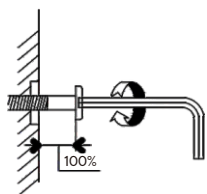
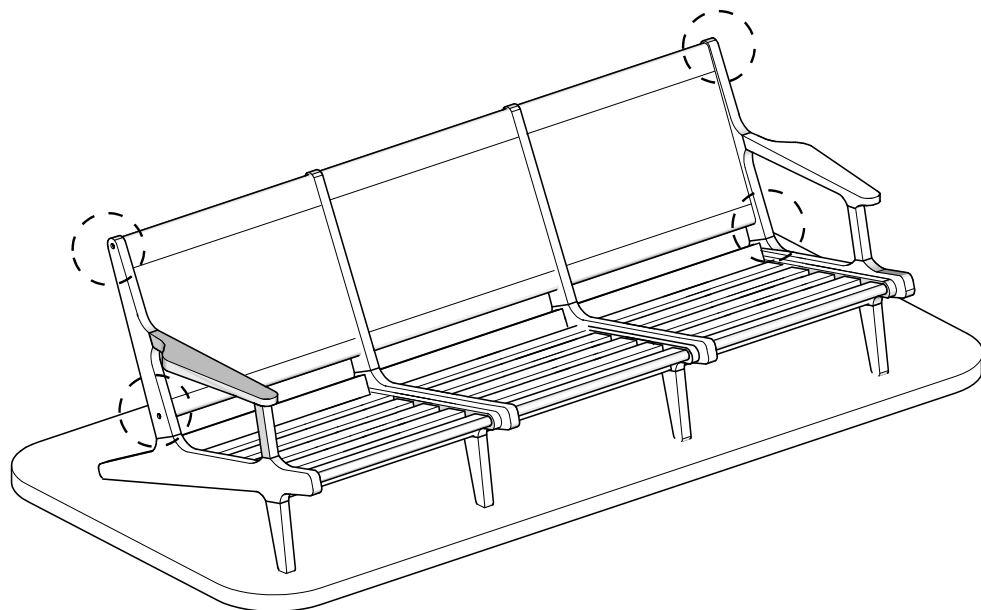
- C** Allen Key M8 x1

- D** Allen Key M6 x1



NOTE : Do not fully tighten the bolt

Step 9

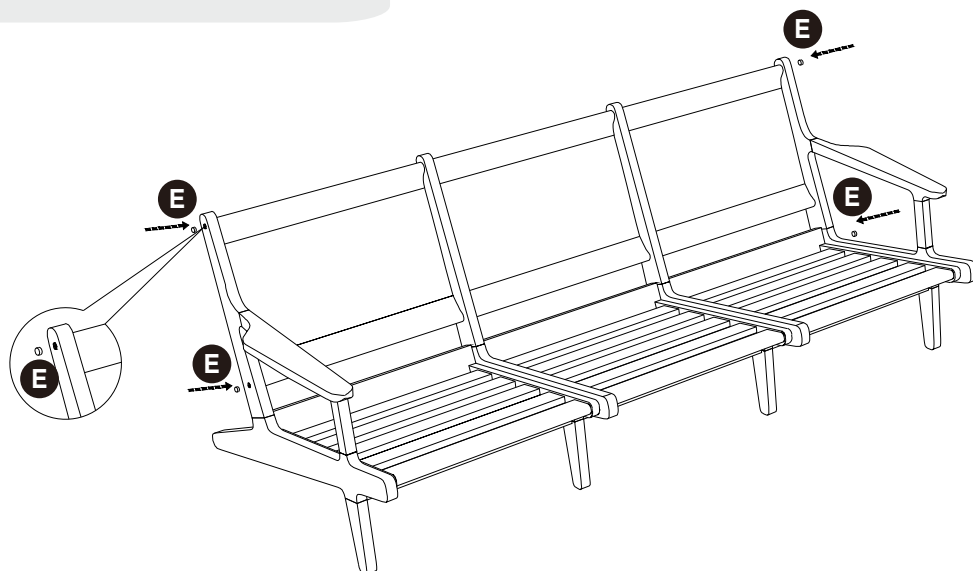


NOTE : Use the allen key to tighten all the bolts securely.

Step 10

COMPONENTS

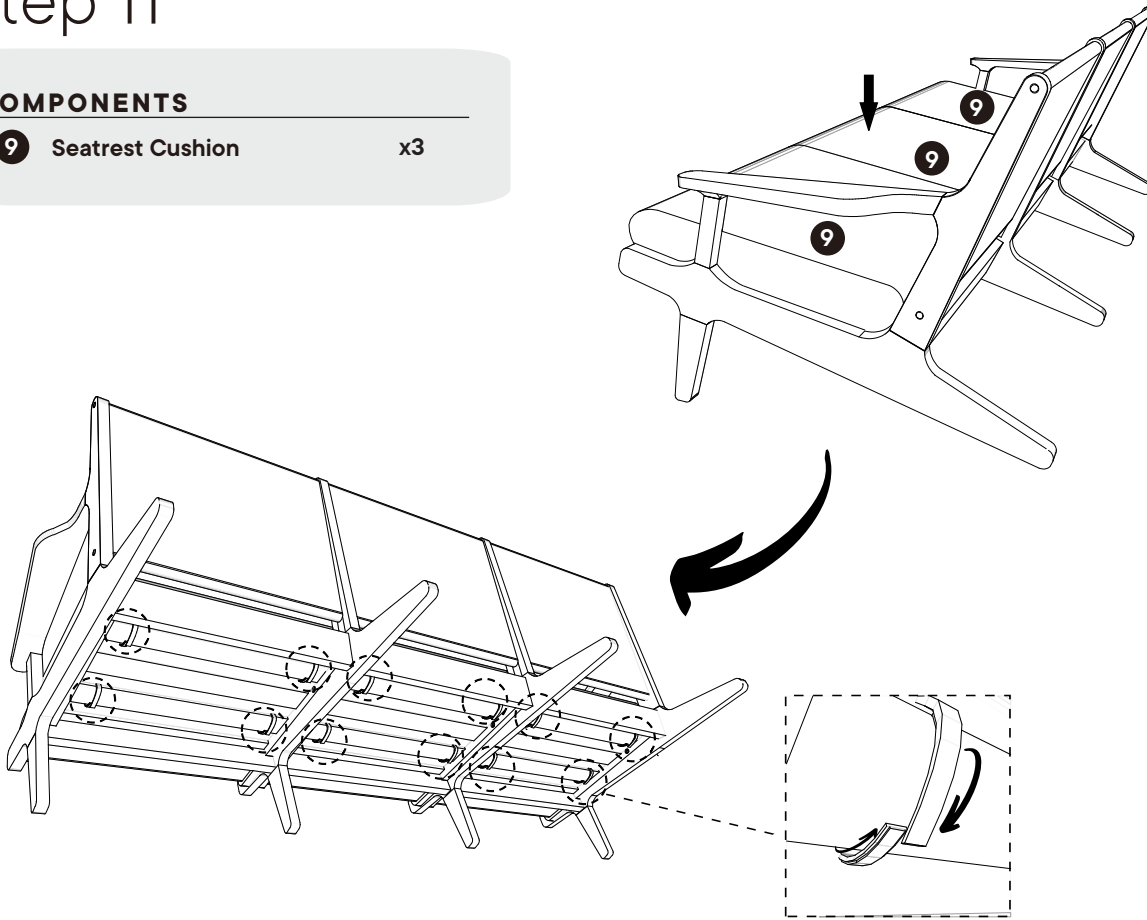
E Dowel Plug x4



Step 11

COMPONENTS

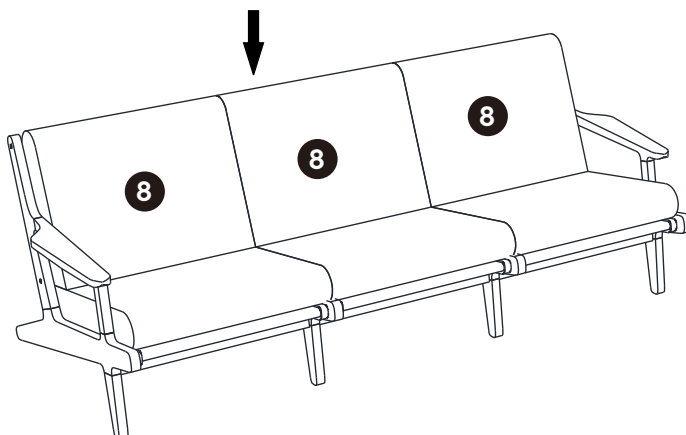
9 Seatrest Cushion x3



Step 10

COMPONENTS

8 Backrest Cushion x3



Great job!

Your new sofa is complete.

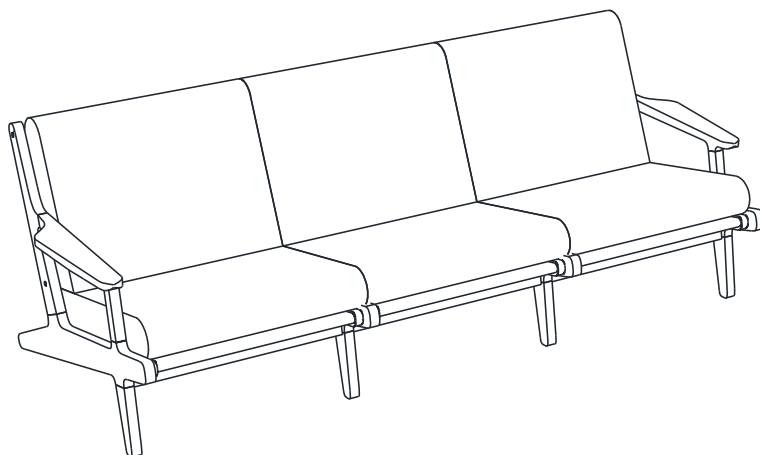
♥ CARING FOR YOUR ITEM

Depending on use, it may be necessary to tighten the hardware from time to time, so please save the tools that have been provided.

Not contract grade.

Clean using a non-abrasive cloth and a mild cleaner.

Retain the rich wood color by occasionally sanding lightly and applying a teak cleaner and protectant. The oils nourish and help restore the original look.



CONNECT WITH US!   

Tag us [@modway_furniture](#) and [#modway](#) for a chance to be featured.