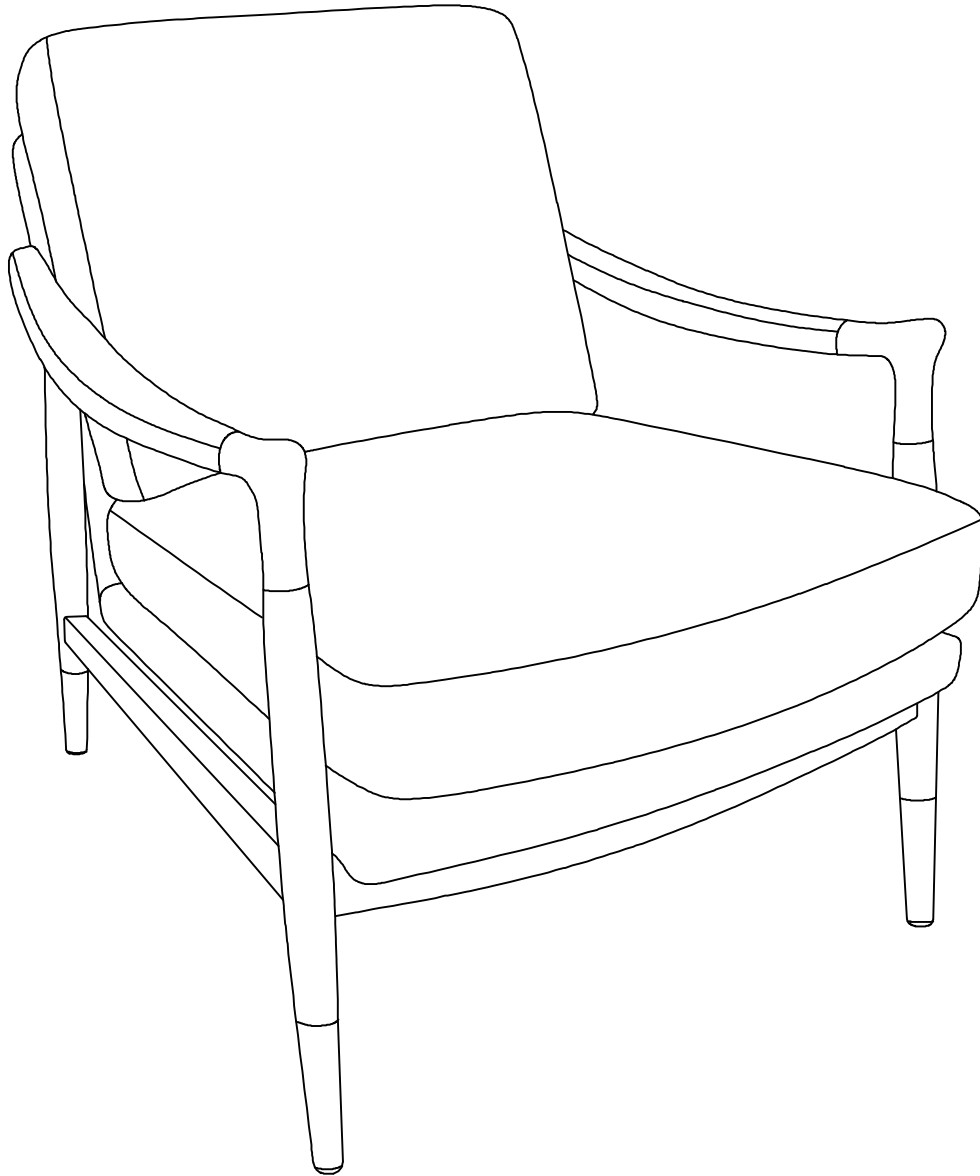


ASSEMBLY INSTRUCTIONS

EEI-7056/7138

V0.02.10.24



Questions? Contact us!

609.256.9000 • cs@modway.com
www.modway.com

***modway**



Read through all of the instructions before starting



Care instructions are listed in the last step of this manual



Approx. 30 minutes assembly time



Make sure you have all parts and components before discarding any packing materials



2 people recommended for assembly

Only use hand tools to assemble this item. Do not use power tools. Do not tighten bolts or screws completely until all hardware is lined up and inserted into the holes.

Do not over-tighten screws and bolts to avoid stripping the hardware or cracking the item.





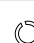

Assemble your item on a flat, carpeted area, with plenty of space to work. This will prevent damage and scratches to your floors or the item while you're assembling the product.

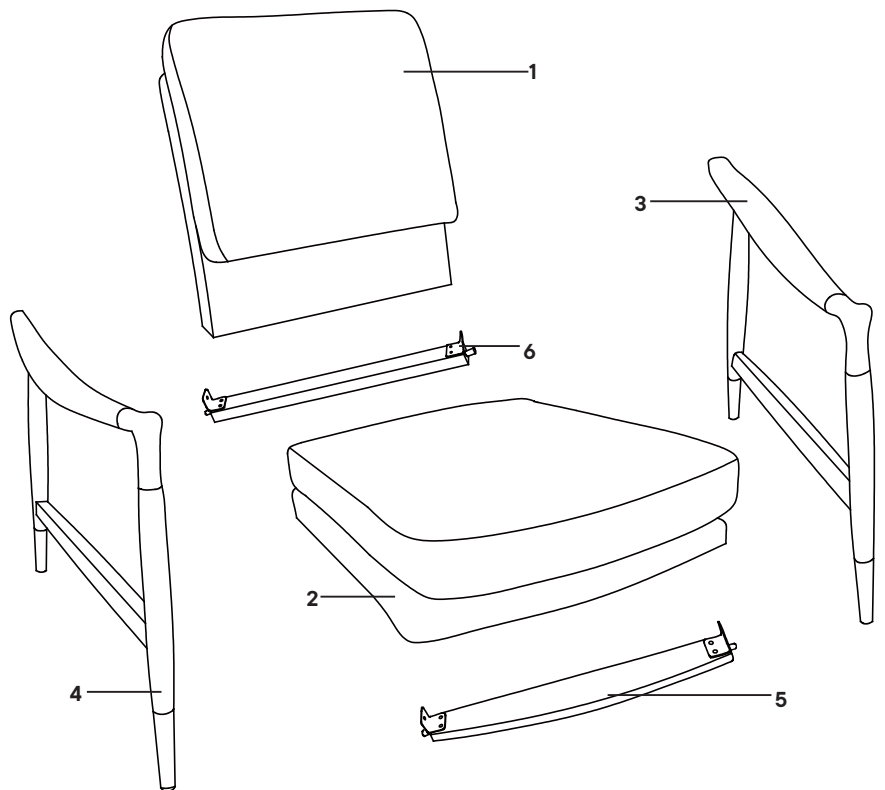
Keep all components and packaging out of reach of children or animals to avoid risk of choking or suffocation.

Furniture components:

1	Back Frame	x1
2	Seat	x1
3	Right arm	x1
4	Left arm	x1
5	Front rail	x1
6	Rear rail	x1

Provided hardware:

A		Bolt M8x20mm	x4
B		Bolt M8x45mm	x2
C		Bolt M8x60mm	x4
D		Flat washer	x10
E		Spring washer	x10
F		Allen key	x1



Wait!

Missing parts or hardware? Need assistance?

Contact us before returning your item. We're here to help!

609.256.9000 • cs@modway.com

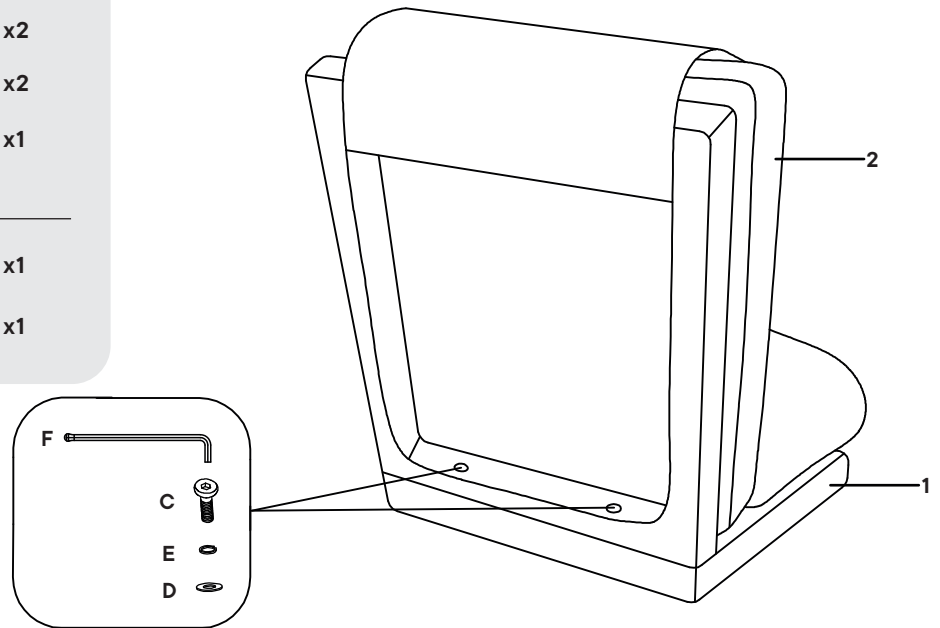
Step 1

HARDWARE

- C** Bolt M8 x 60 mm x2
- D** Flat Washer x2
- E** Spring washer x2
- F** Allen Key x1

COMPONENTS

- 1** Back Frame x1
- 2** Seat x1



Note : Do not fully tighten the bolts. Tighten each bolt to about 90% of its maximum tension.

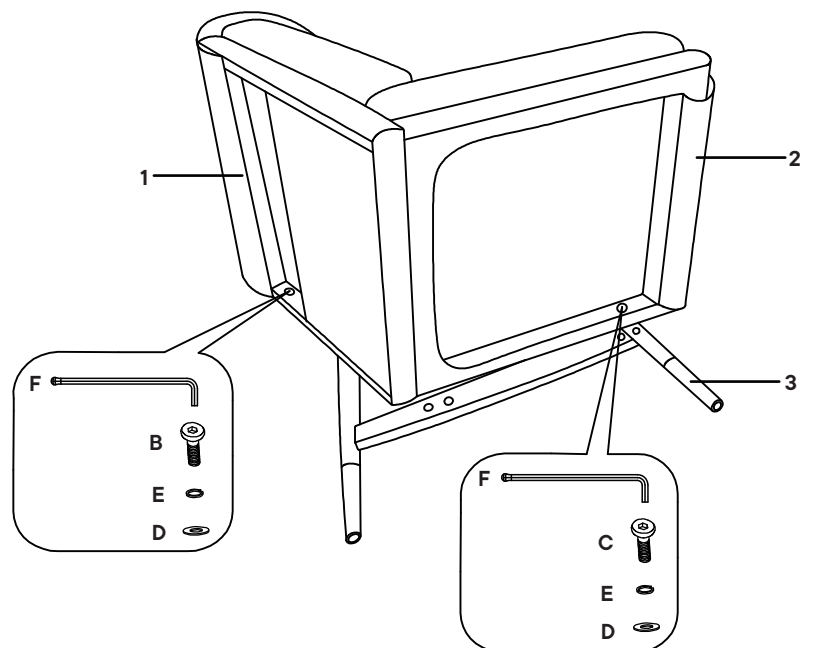
Step 2

HARDWARE

- B** Bolt M8 x 45 mm x1
- C** Bolt M8 x 60 mm x1
- D** Flat Washer x2
- E** Spring washer x2
- F** Allen Key x1

COMPONENTS

- 1** Back Frame x1
- 2** Seat x1
- 3** Right arm x1



Note : Do not fully tighten the bolts. Tighten each bolt to about 90% of its maximum tension.

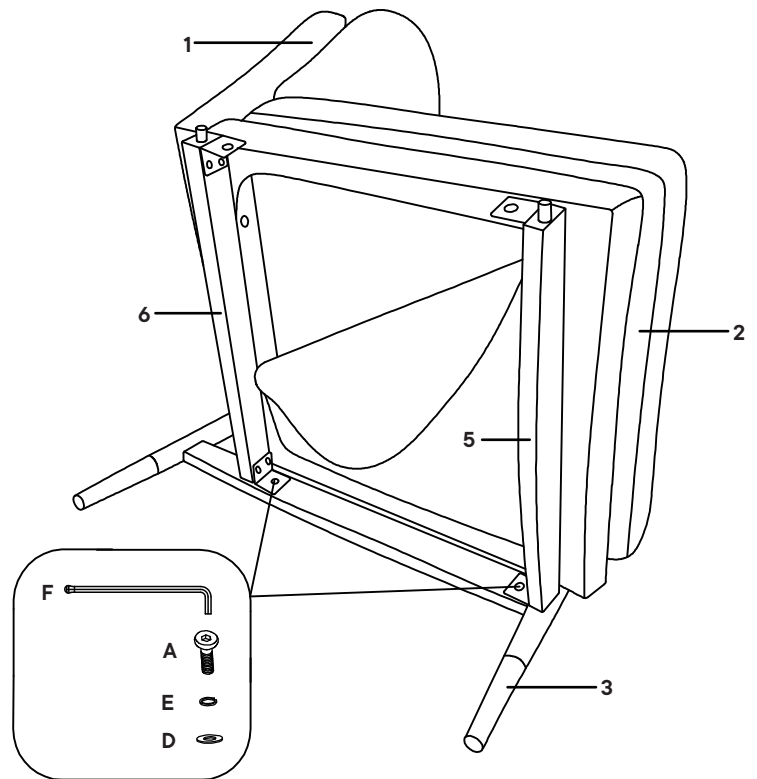
Step 3

HARDWARE

A	Bolt M8 x 20 mm	x2
D	Flat Washer	x2
E	Spring washer	x2
F	Allen Key	x1

COMPONENTS

1	Back Frame	x1
2	Seat	x1
3	Right arm	x1
5	Front rail	x1
6	Rear rail	x1



Note : Do not fully tighten the bolts. Tighten each bolt to about 90% of its maximum tension.

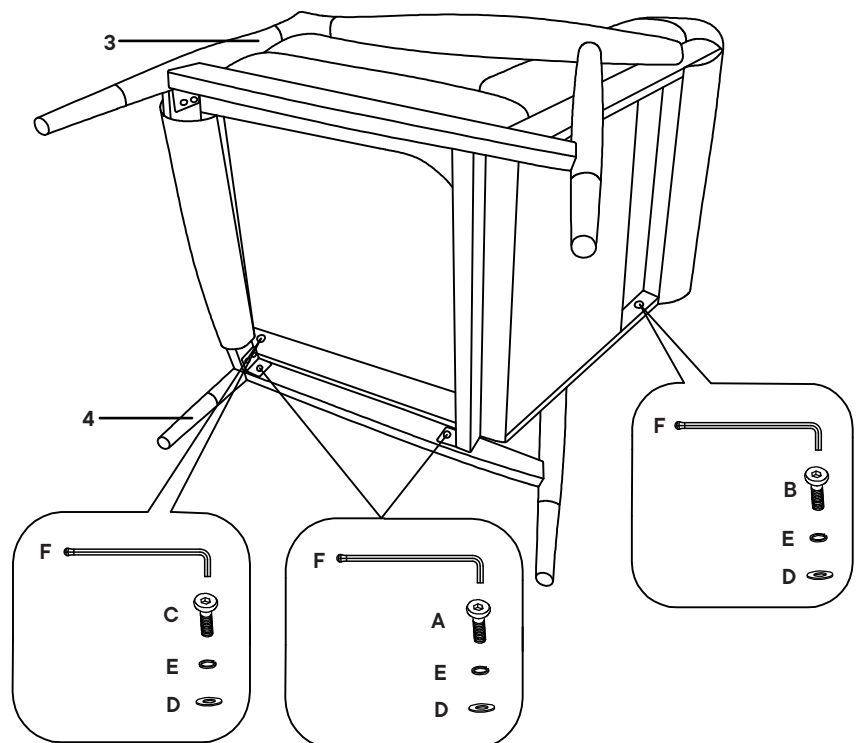
Step 4

HARDWARE

A	Bolt M8 x 20 mm	x2
B	Bolt M8 x 45 mm	x1
C	Bolt M8 x 60 mm	x1
D	Flat Washer	x4
E	Spring washer	x4
F	Allen Key	x1

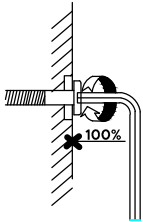
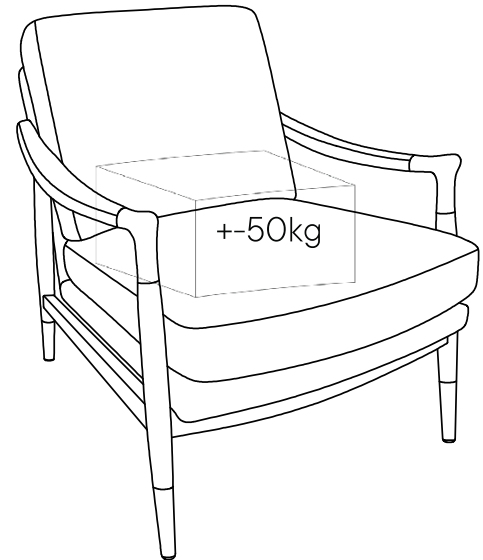
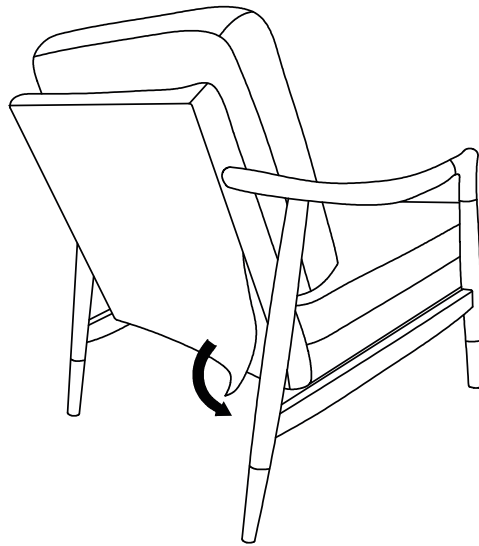
COMPONENTS

3	Right arm	x1
4	Left arm	x1



Note : Do not fully tighten the bolts. Tighten each bolt to about 90% of its maximum tension.

Step 5



To ensure the chair is level, either place a heavy object weighing around 50kg on it or ask an adult to sit on the seat while you use the Allen key to tighten all bolts securely.

Great job!

Your chair assembly is complete

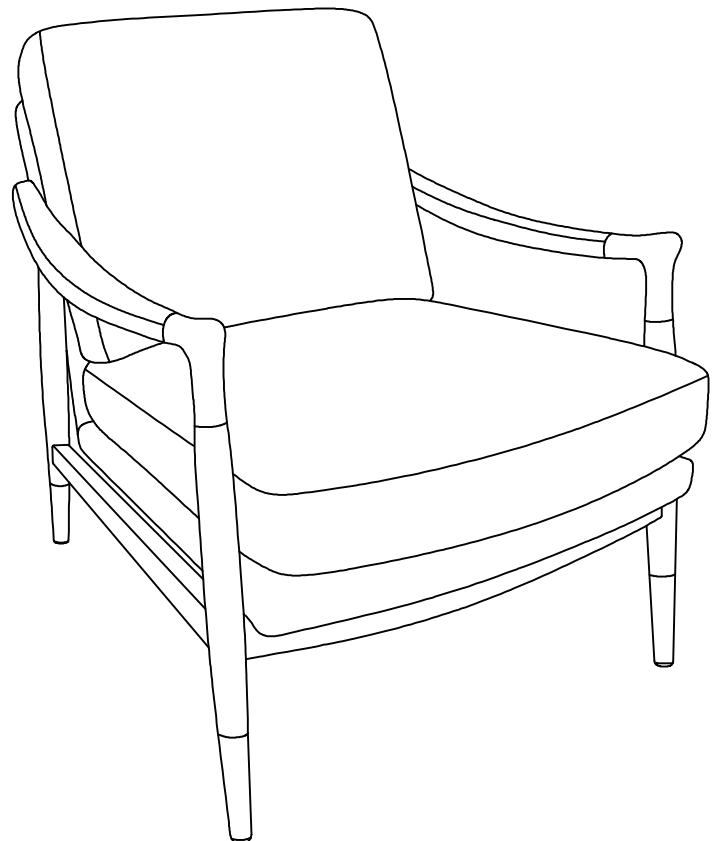
♥ CARING FOR YOUR ITEM

Indoor use only

Not contract grade.

Clean using a non-abrasive cloth and a mild cleaner.

Never use harsh chemicals, as they could damage the finish or integrity of the item.



CONNECT WITH US!   

Tag us @modway_furniture and #modway for a chance to be featured.