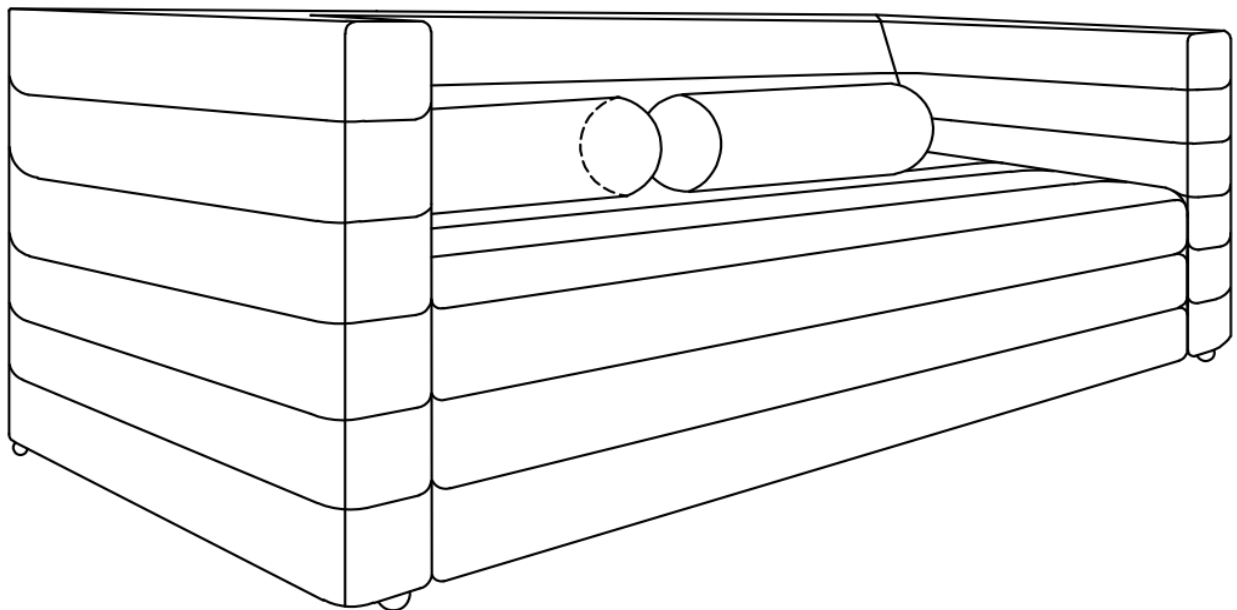


ASSEMBLY INSTRUCTIONS

EEI-7137

V0.24.08.20



Questions? Contact us!

609.256.9000 • cs@modway.com
www.modway.com

*modway

Let's get started!

*modway



Read through all of the instructions before starting



Care instructions are listed in the last step of this manual

Only use hand tools to assemble this item. Do not use power tools. Do not tighten bolts or screws completely until all hardware is lined up and inserted into the holes.

Do not over-tighten screws and bolts to avoid stripping the hardware or cracking the item.



Approx. 15 minutes assembly time



Make sure you have all parts and components before discarding any packing materials

Assemble your item on a flat, carpeted area, with plenty of space to work. This will prevent damage and scratches to your floors or the item while you're assembling the product.

Keep all components and packaging out of reach of children or animals to avoid risk of choking or suffocation.

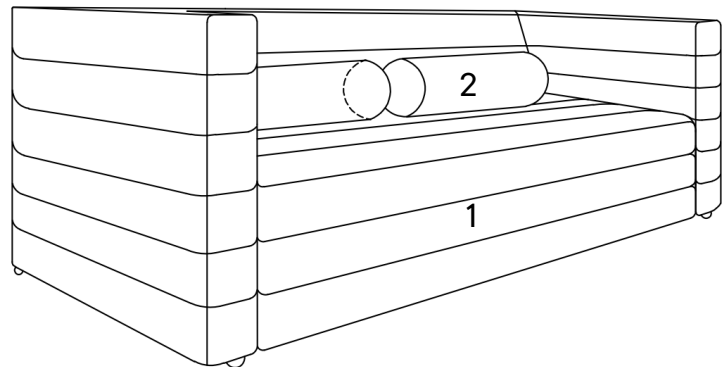


2 people recommended for assembly

Furniture components:

1	Loveseat	x1
---	----------	----

2	Bolster	x2
---	---------	----



Provided hardware:

A		Plastic washer	x4
---	---	----------------	----

B		Leg	x4
---	---	-----	----

Wait!

Missing parts or hardware? Need assistance?

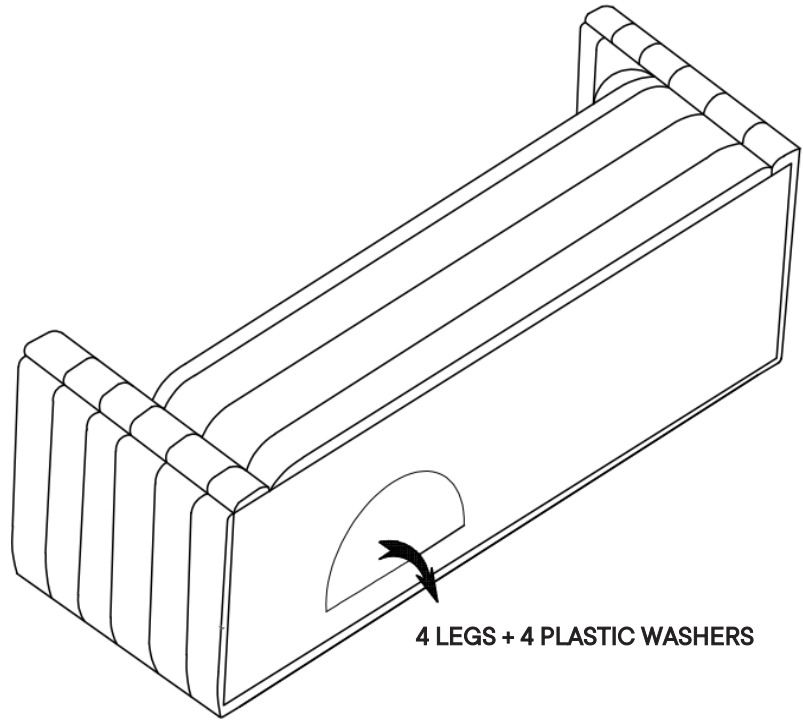
Contact us before returning your item. We're here to help!

609.256.9000 • cs@modway.com

Step 1

HARDWARE

- A** Plastic washer x4
- B** Leg x4



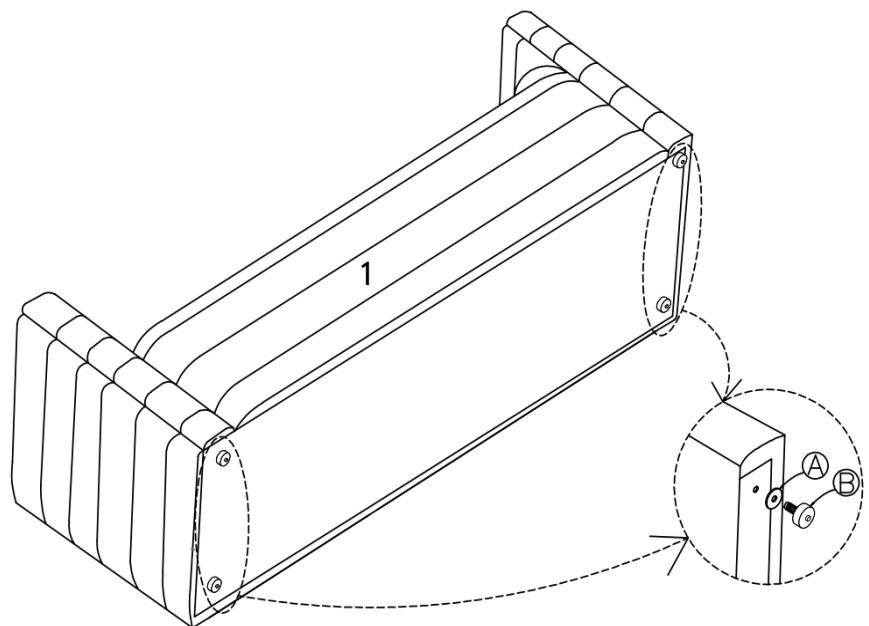
Step 2

COMPONENTS

- 1** Sofa x1

HARDWARE

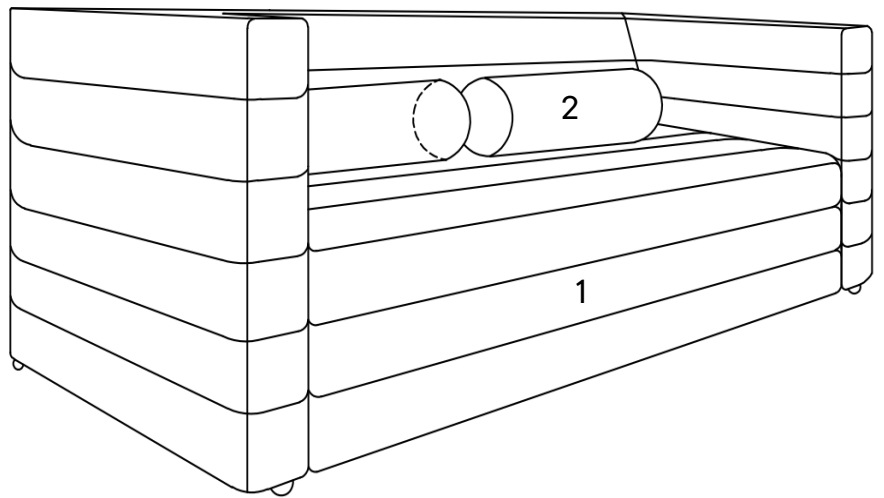
- A** Plastic washer x4
- B** Leg x4



Step 3

COMPONENTS

2 Bolster x2



Great job!

Your sofa is complete and ready to enjoy.

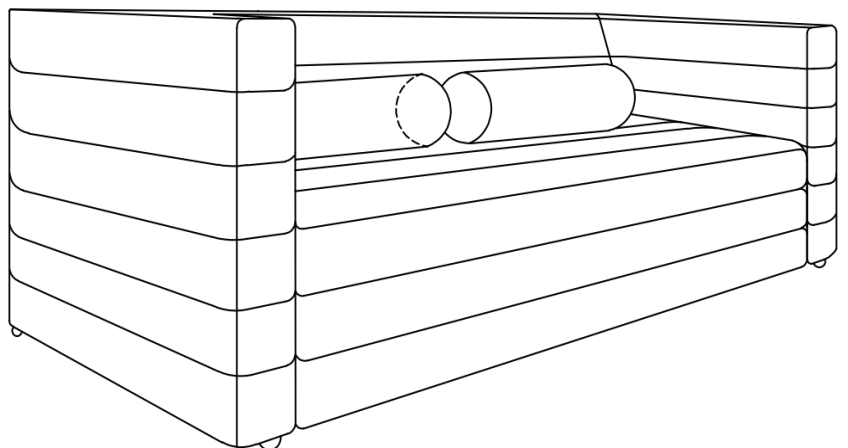
♥ CARING FOR YOUR ITEM

Indoor use only.

Not contract grade.

Spot clean using a non-abrasive cloth and a mild cleaner.

Never use harsh chemicals, as they could damage the finish or integrity of the item.



CONNECT WITH US!   

Tag us @modway_furniture and #modway for a chance to be featured.