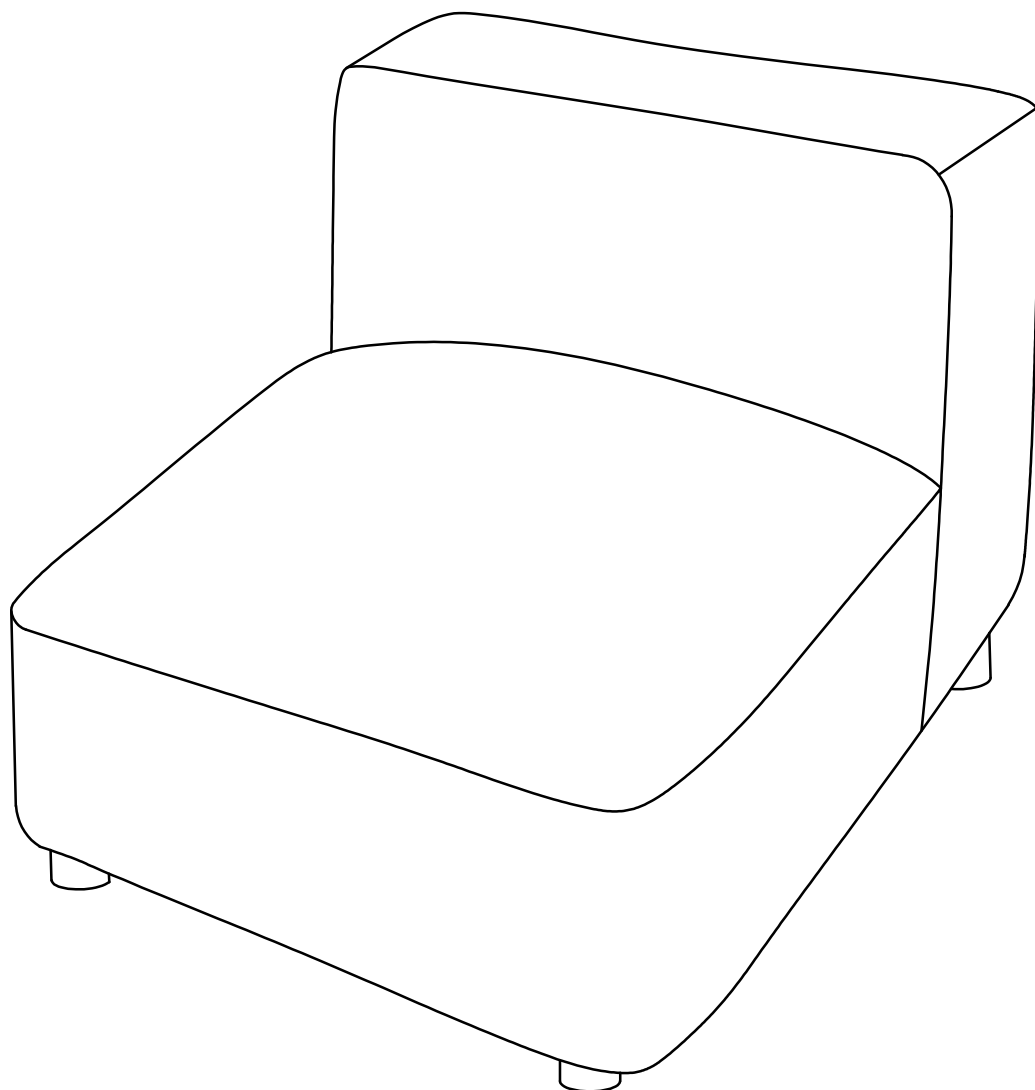


ASSEMBLY INSTRUCTIONS

EEI-7121

V0.09.08.24



Questions? Contact us!

609.256.9000 • cs@modway.com
www.modway.com

***modway**

Let's get started!

*modway



Read through all of the instructions before starting



Care instructions are listed in the last step of this manual



Approx. 30 minutes assembly time



Make sure you have all parts and components before discarding any packing materials



2 people recommended for assembly

Only use hand tools to assemble this item. Do not use power tools. Do not tighten bolts or screws completely until all hardware is lined up and inserted into the holes.

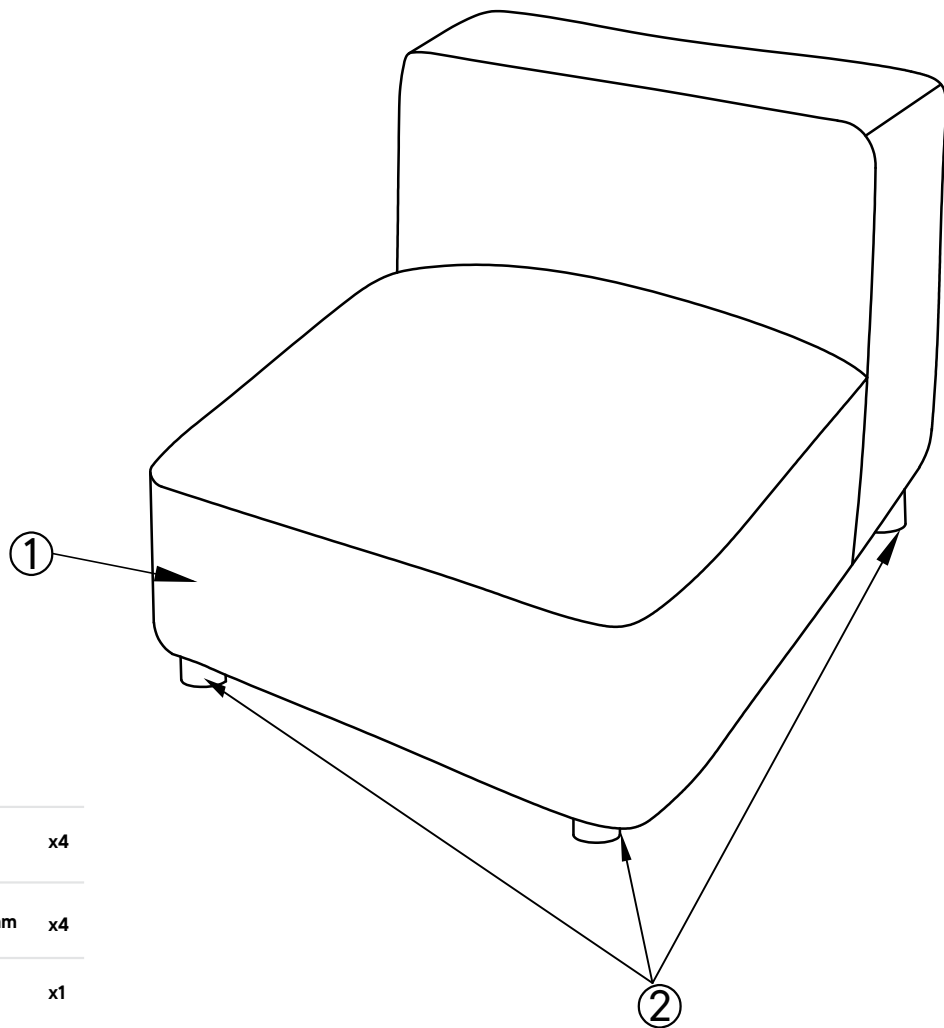
Do not over-tighten screws and bolts to avoid stripping the hardware or cracking the item.

Assemble your item on a flat, carpeted area, with plenty of space to work. This will prevent damage and scratches to your floors or the item while you're assembling the product.

Keep all components and packaging out of reach of children or animals to avoid risk of choking or suffocation.

Furniture components:

1	Frame Body	x1
2	Leg	x4



Provided hardware:

A		Bolt 1/4 x 60 mm	x4
B		Flat Washer 1/4 x 19 mm	x4
C		Allen Wrench	x1
D		Felt Pad	x4

Wait!

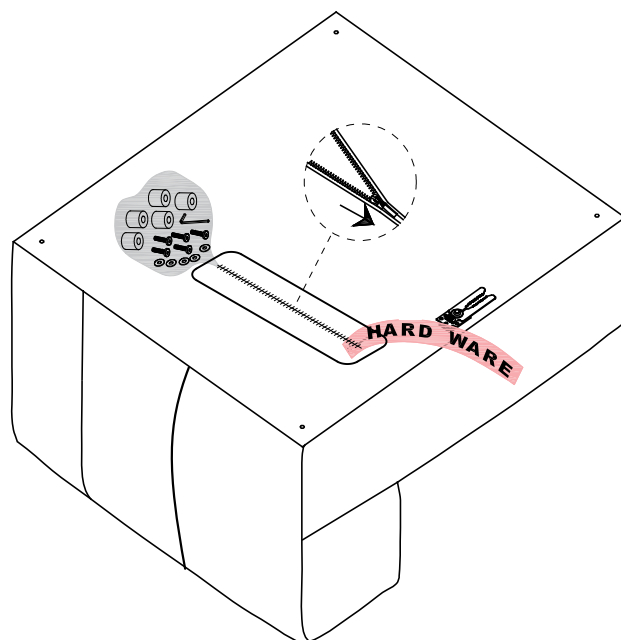
Missing parts or hardware? Need assistance?
Contact us before returning your item. We're here to help!
609.256.9000 • cs@modway.com

Step 1

Remove all parts from the carton and place them on a protected surface or carpet.

Place the Frame Body (1) upside down and open the bottom zipper.

Take the Legs (2), Bolts (A), Flat Washers (B), Allen Wrench (C), Felt pad (D) out of the locking zipper bag.



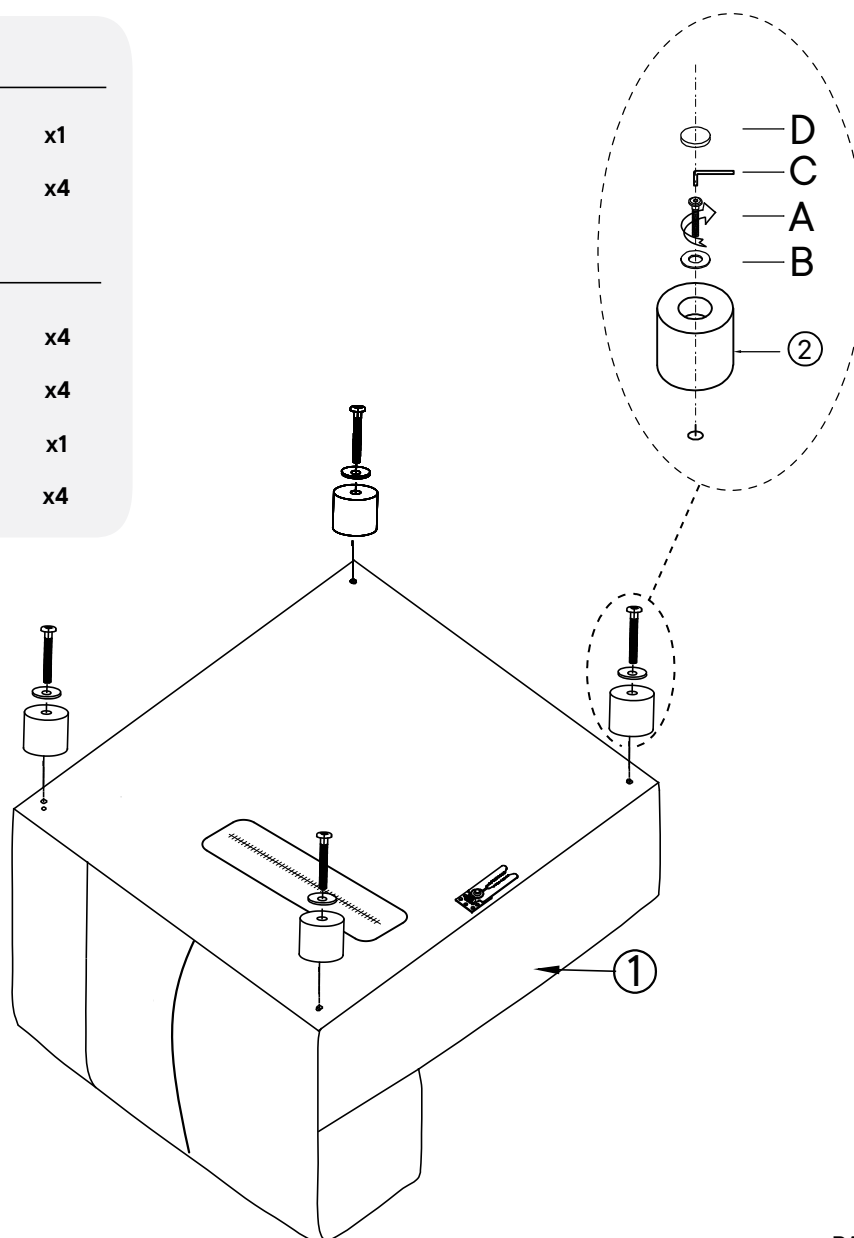
Step 2

COMPONENTS

1	Frame Body	x1
2	Leg	x4

HARDWARE

A	Bolt 1/4 x 60 mm	x4
B	Flat Washer 1/4 x 19 mm	x4
C	Allen Wrench	x1
D	Felt Pad	x4



Great job!

Your armless chair is complete and ready to enjoy.

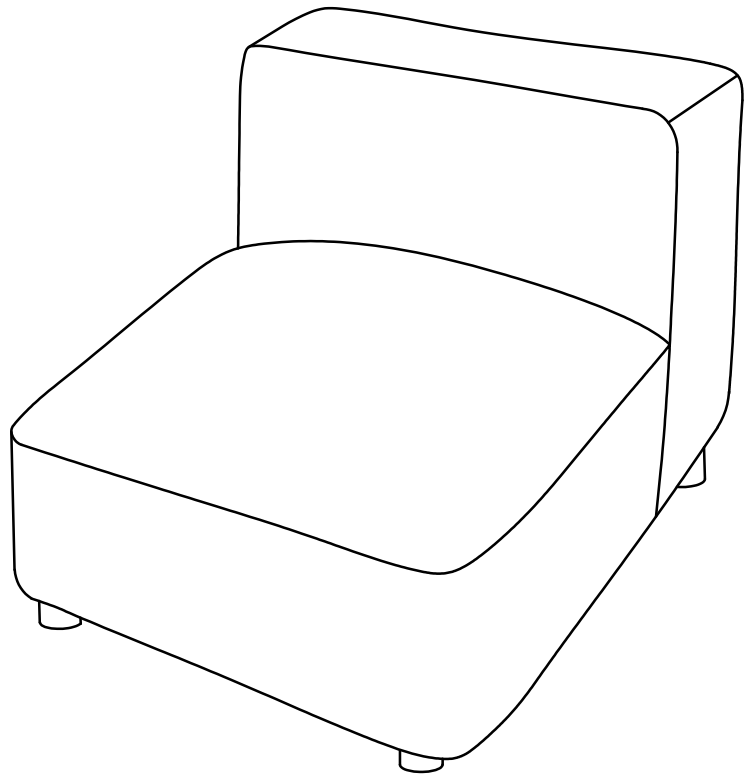
♥ CARING FOR YOUR ITEM

Indoor use.

Not contract grade.

Clean using a non-abrasive cloth and a mild cleaner.

Never use harsh chemicals, as they could damage the finish or integrity of the item.

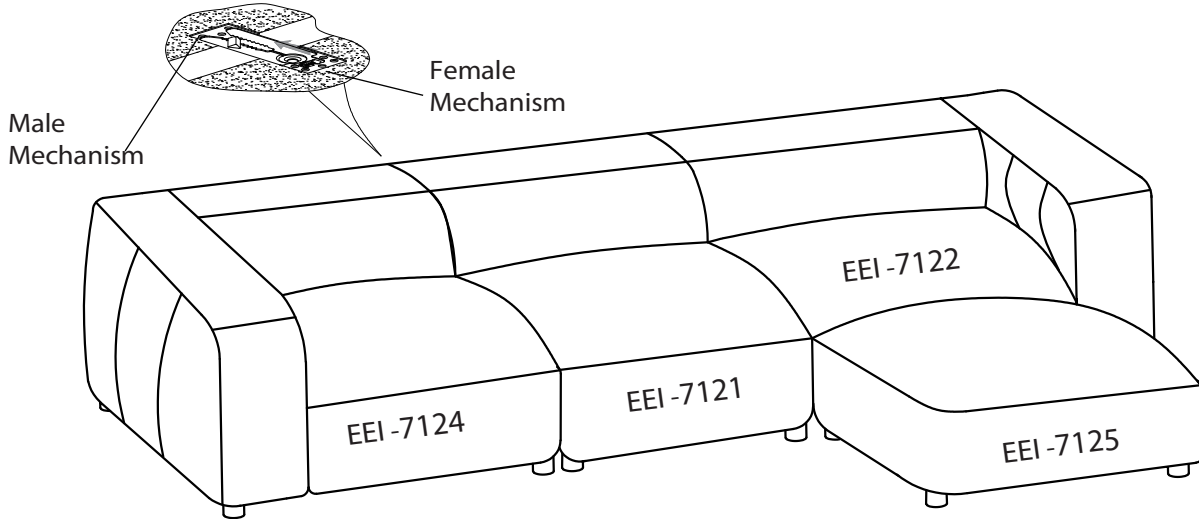


CONNECT WITH US!   

Tag us @modway_furniture and #modway for a chance to be featured.

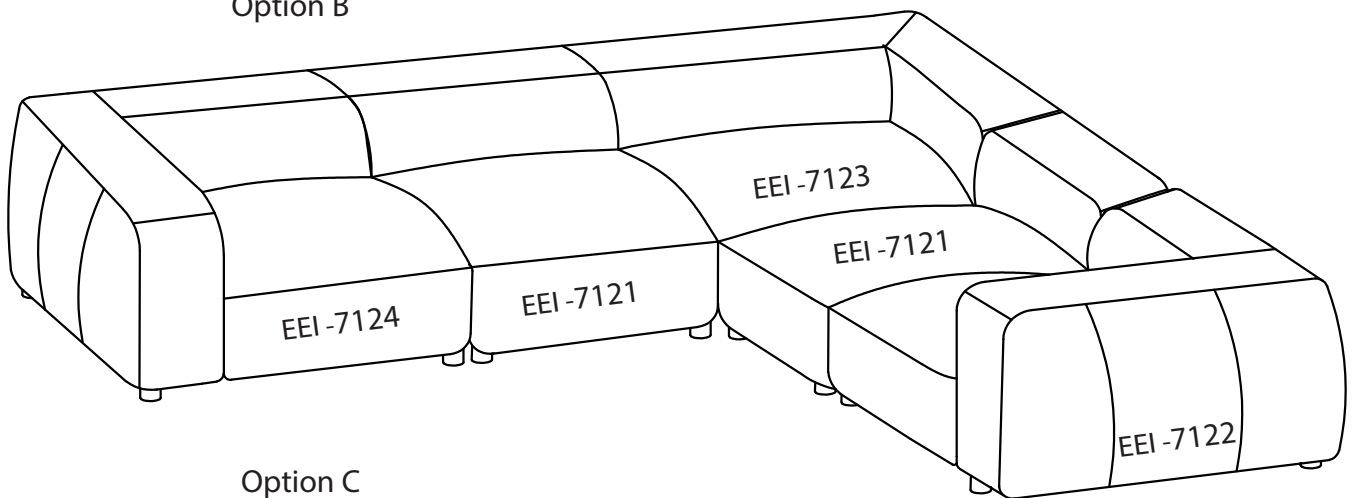
E EI-7124 LAF Chair size with, EEI-7121 Armless Chair, EEI-7122 RAF Chair, EEI-7125 Ottoman
EEI - 7123 Corner have three Combination of options as shown below.

Option A: Align the pre - installed Female mechanism to the pre installed Male mechanism as shown.
Push EEI-7124 LAF Chair size with EEI- 7121 Armless Chair, EEI- 7122 RAF Chair, EEI - 7125 Ottoman
EEI - 7123 Corner lowly until the Female mechanism and the Male mechanism click together tightly.

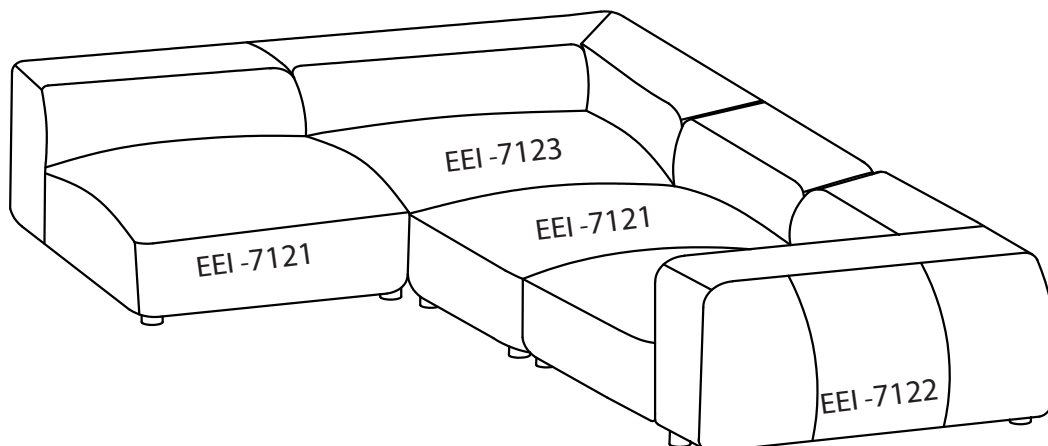


If you want to unlock the sofa Combination: Lift the male section in order to unattach sectional pieces.

Option B



Option C

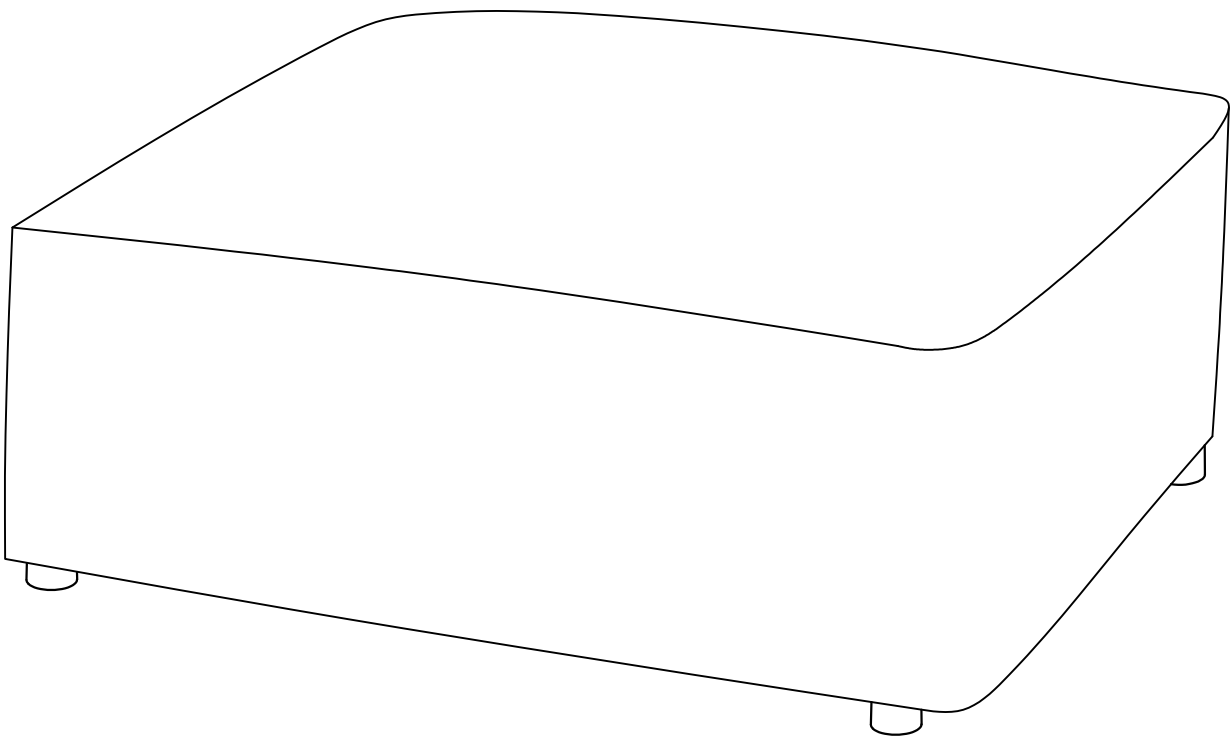


Assembly is complete. The sectional sofa is ready to enjoy now.

ASSEMBLY INSTRUCTIONS

EEI-7125

V0.09.08.24



Questions? Contact us!

609.256.9000 • cs@modway.com
www.modway.com

***modway**

Let's get started!

*modway



Read through all of the instructions before starting



Care instructions are listed in the last step of this manual



Approx. 30 minutes assembly time



Make sure you have all parts and components before discarding any packing materials



2 people recommended for assembly

Only use hand tools to assemble this item. Do not use power tools. Do not tighten bolts or screws completely until all hardware is lined up and inserted into the holes.

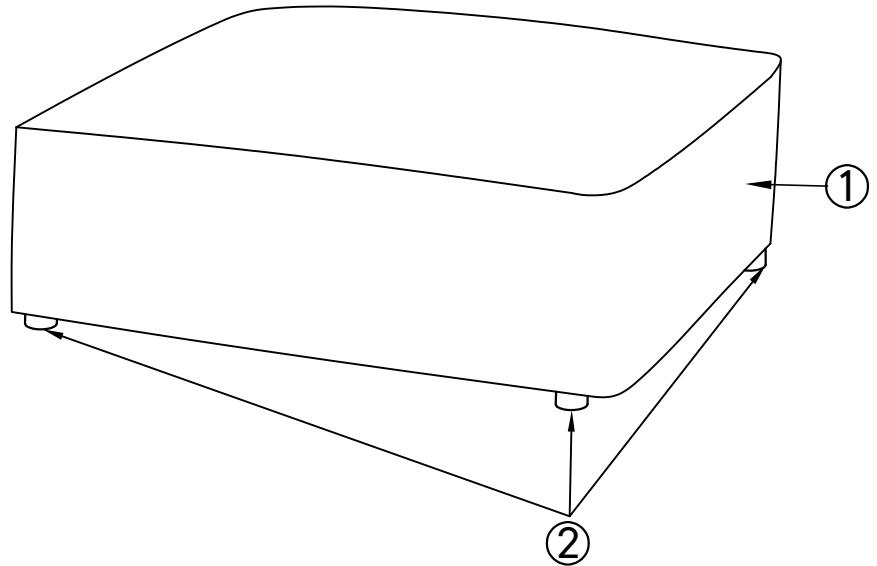
Do not over-tighten screws and bolts to avoid stripping the hardware or cracking the item.

Assemble your item on a flat, carpeted area, with plenty of space to work. This will prevent damage and scratches to your floors or the item while you're assembling the product.

Keep all components and packaging out of reach of children or animals to avoid risk of choking or suffocation.

Furniture components:

1	Frame Body	x1
2	Leg	x4



Provided hardware:

A		Bolt 1/4 x 60 mm	x4
B		Flat Washer 1/4 x 19 mm	x4
C		Allen Wrench	x1
D		Felt Pad	x4

Wait!

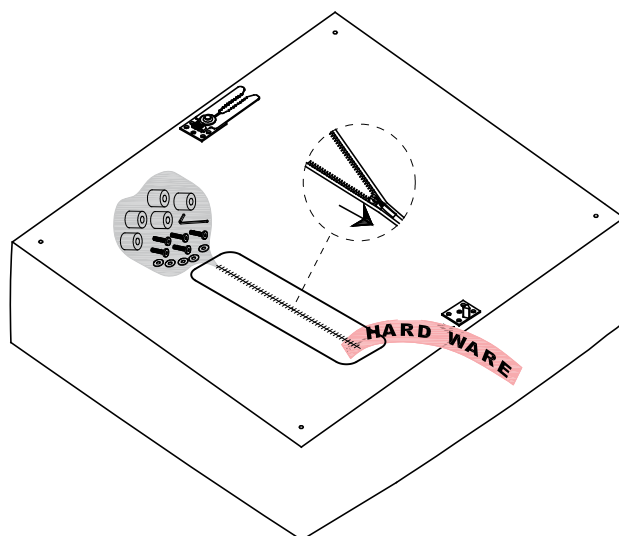
Missing parts or hardware? Need assistance?
Contact us before returning your item. We're here to help!
609.256.9000 • cs@modway.com

Step 1

Remove all parts from the carton and place them on a protected surface or carpet.

Place the Frame Body (1) upside down and open the bottom zipper.

Take the Legs (2), Bolts (A), Flat Washers (B), Allen Wrench (C), Felt pad (D) out of the locking zipper bag.



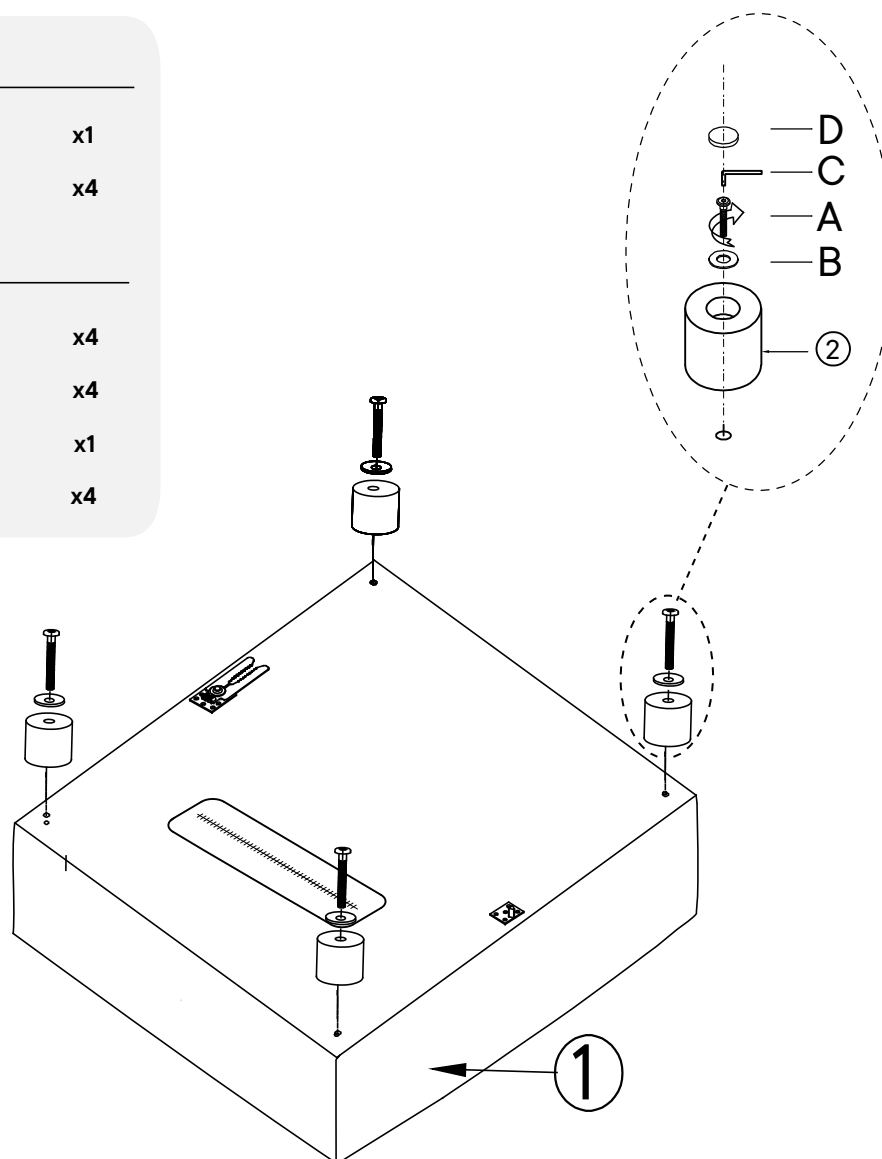
Step 2

COMPONENTS

1	Frame Body	x1
2	Leg	x4

HARDWARE

A	Bolt 1/4 x 60 mm	x4
B	Flat Washer 1/4 x 19 mm	x4
C	Allen Wrench	x1
D	Felt Pad	x4



Great job!

Your ottoman is complete and ready to enjoy.

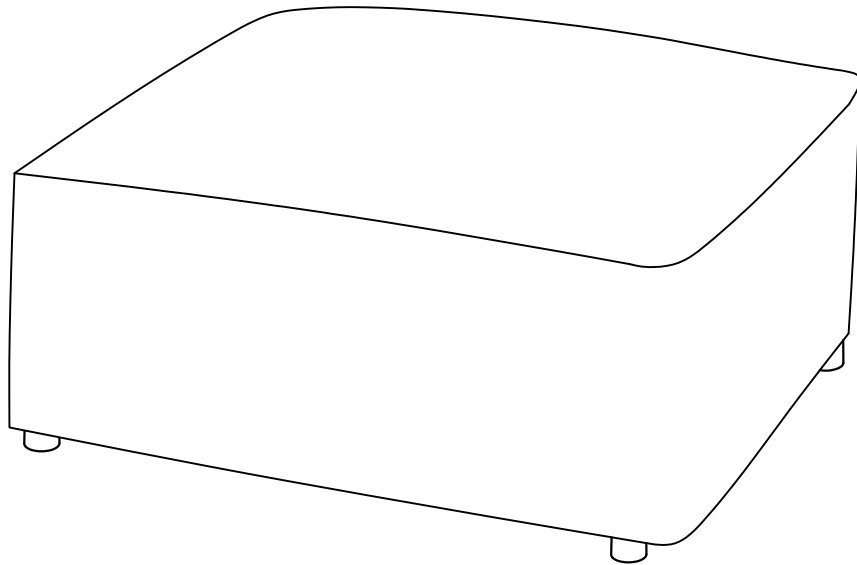
♥ CARING FOR YOUR ITEM

Indoor use.

Not contract grade.

Clean using a non-abrasive cloth and a mild cleaner.

Never use harsh chemicals, as they could damage the finish or integrity of the item.

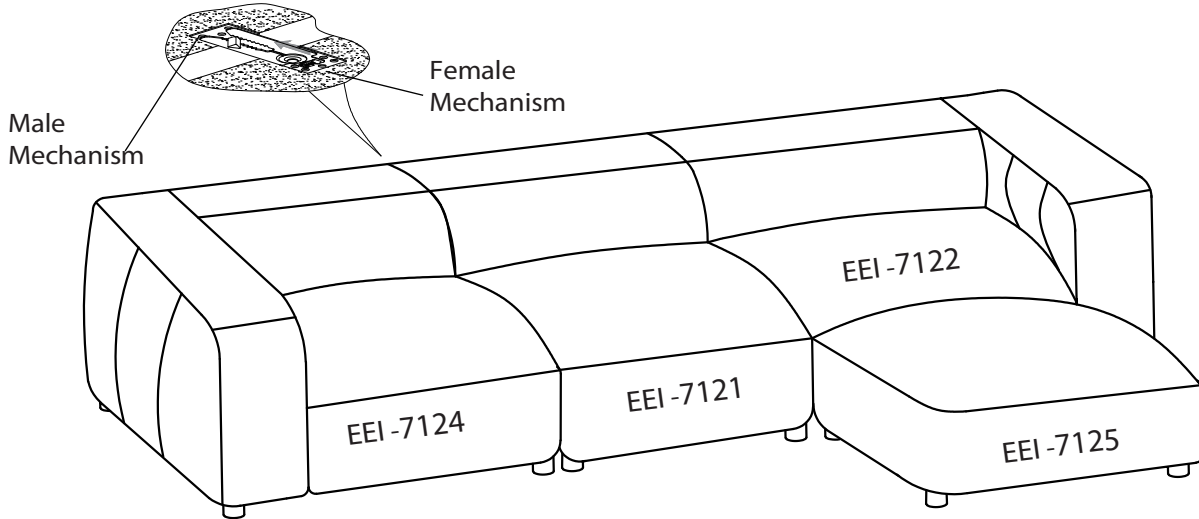


CONNECT WITH US!   

Tag us @modway_furniture and #modway for a chance to be featured.

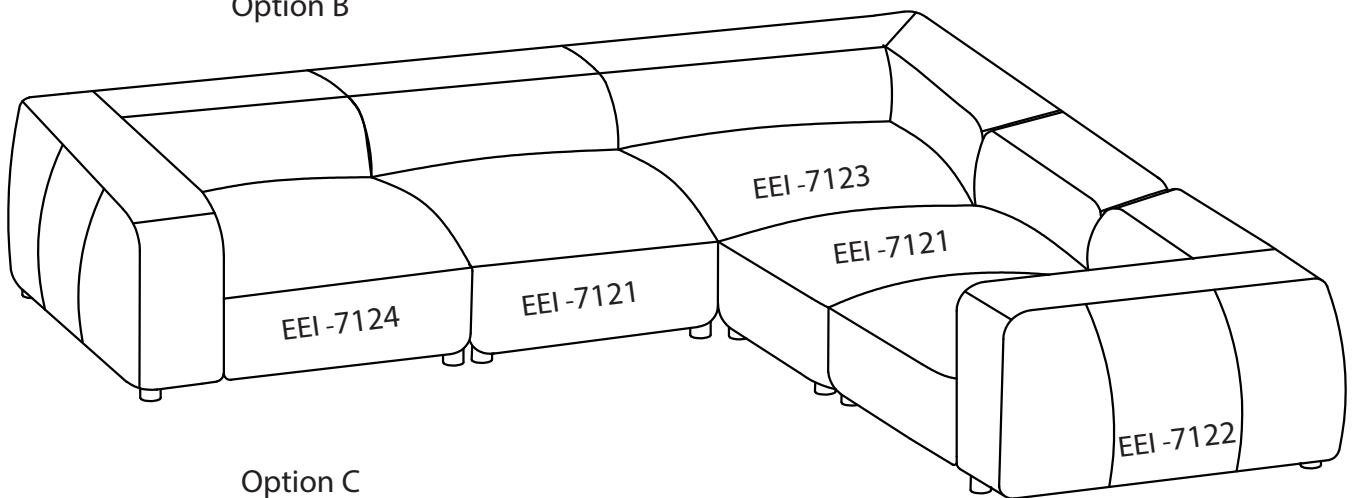
E EI-7124 LAF Chair size with, EEI-7121 Armless Chair, EEI-7122 RAF Chair, EEI-7125 Ottoman
EEI - 7123 Corner have three Combination of options as shown below.

Option A: Align the pre - installed Female mechanism to the pre installed Male mechanism as shown.
Push EEI-7124 LAF Chair size with EEI- 7121 Armless Chair, EEI- 7122 RAF Chair, EEI - 7125 Ottoman
EEI - 7123 Corner lowly until the Female mechanism and the Male mechanism click together tightly.

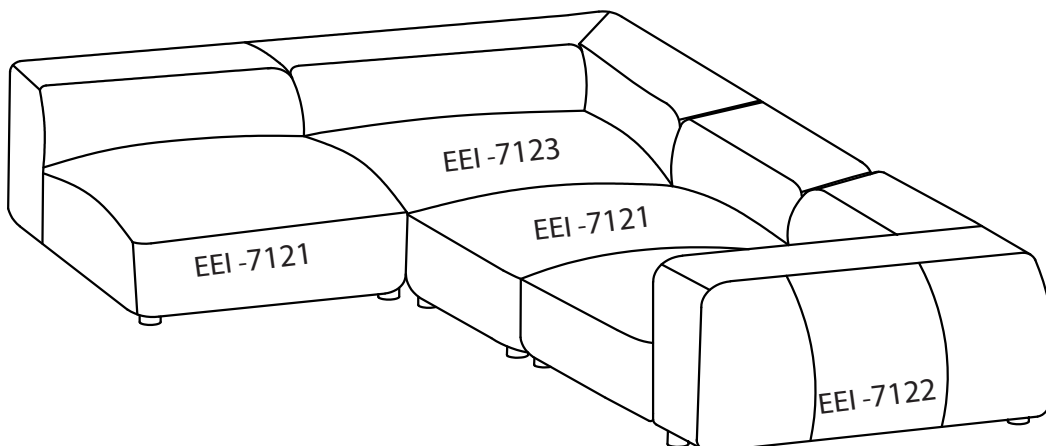


If you want to unlock the sofa Combination: Lift the male section in order to unattach sectional pieces.

Option B



Option C



Assembly is complete. The sectional sofa is ready to enjoy now.