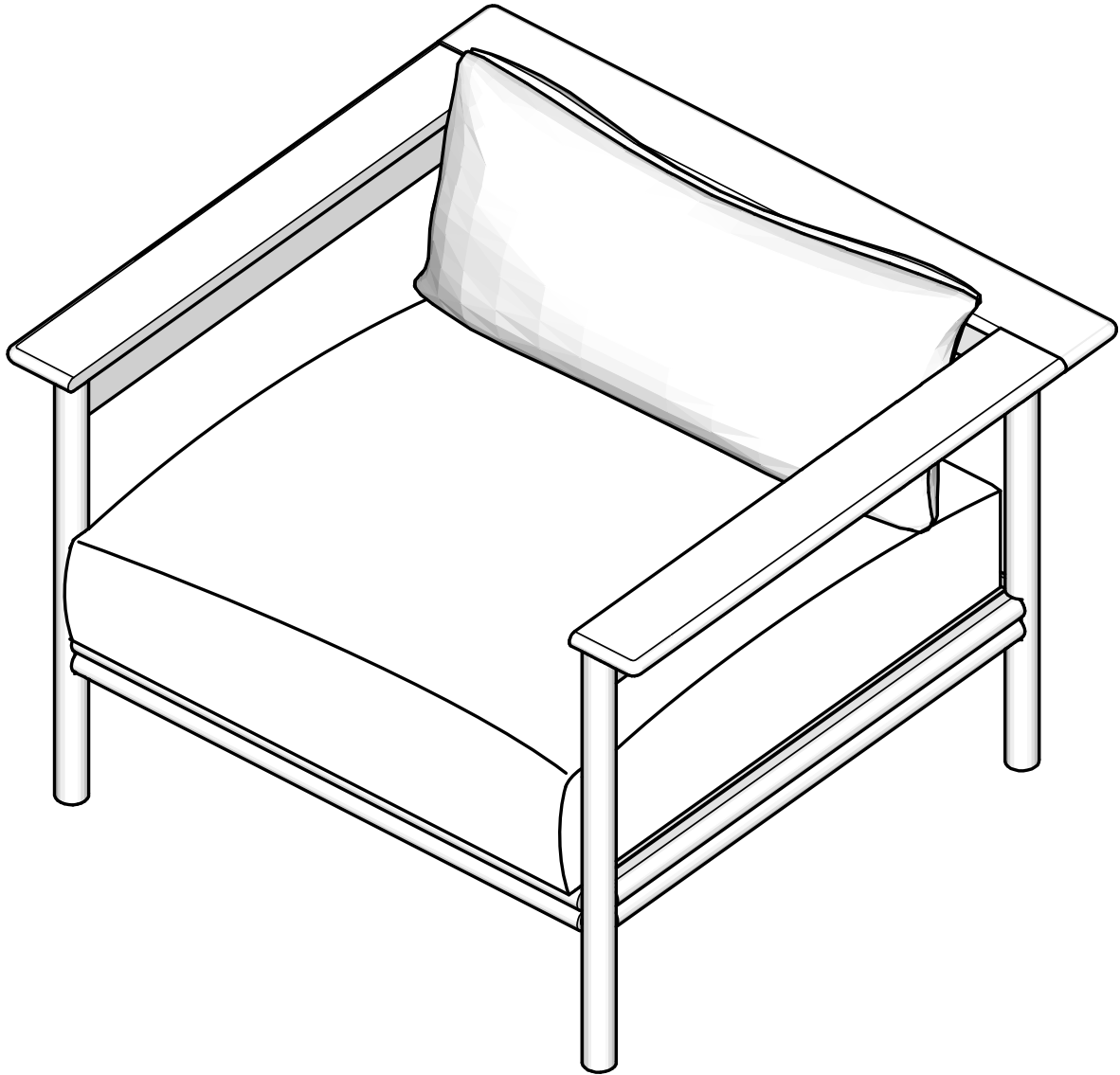


# ASSEMBLY INSTRUCTIONS

# EEI-7007

V0.25.03.24



## Questions? Contact us!

609.256.9000 • [cs@modway.com](mailto:cs@modway.com)  
[www.modway.com](http://www.modway.com)

\*modway

# Let's get started!

\*modway



Read through all of the instructions before starting



Care instructions are listed in the last step of this manual



Approx. 30 minutes assembly time



Make sure you have all parts and components before discarding any packing materials



2 people recommended for assembly

**Only use hand tools to assemble this item.** Do not use power tools. Do not tighten bolts or screws completely until all hardware is lined up

Do not over-tighten screws and bolts to avoid stripping the hardware or cracking the item.





Assemble your item on a flat, carpeted area, with plenty of space to work. This will prevent damage and scratches to your floors or the item while you're assembling the product.

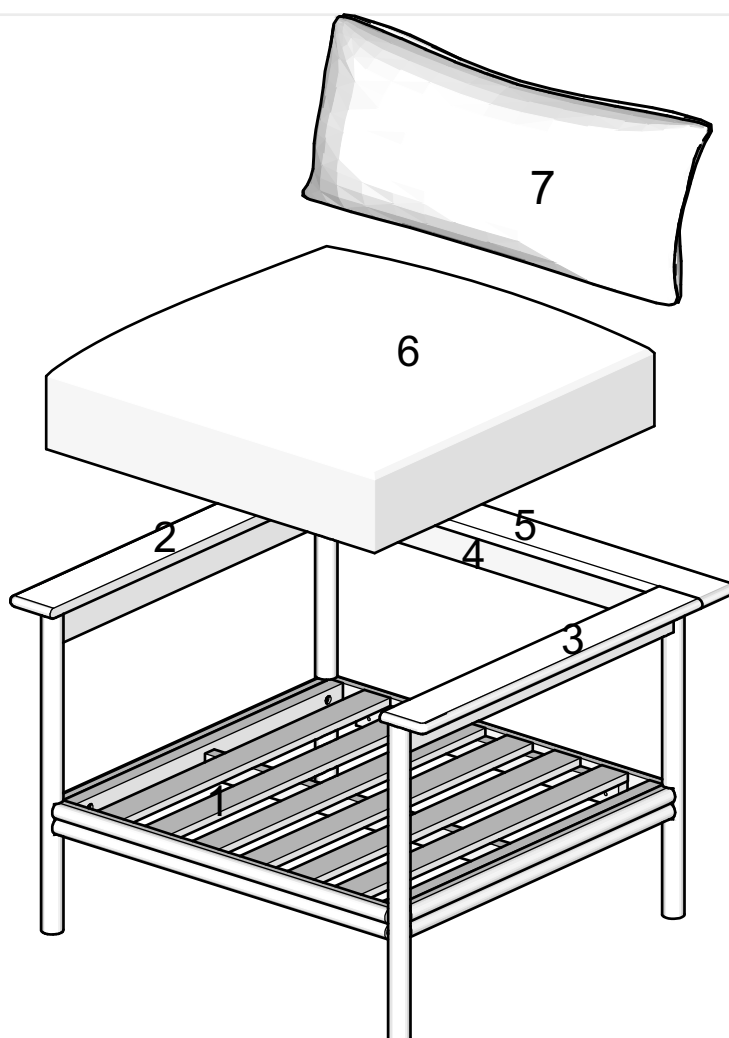
Keep all components and packaging out of reach of children or animals to avoid risk of choking or suffocation.

## Furniture components:

1	Lounge Seat	x1
2	Left Frame	x1
3	Right Frame	x1
4	Back Rail	x1
5	Top Rail	x1
6	Seat Cushion	x1
7	Back Cushion	x1

## Provided hardware:

A		JCBC Bolt M6x40mm	x10
B		JCBC Bolt M6x50mm	x3
C		Allen Key	x1
D		Dowel Plug	x2



**Wait!**

**Missing parts or hardware? Need assistance?**

Contact us before returning your item. We're here to help!

609.256.9000 • [cs@modway.com](mailto:cs@modway.com)

# Step 1

## COMPONENTS

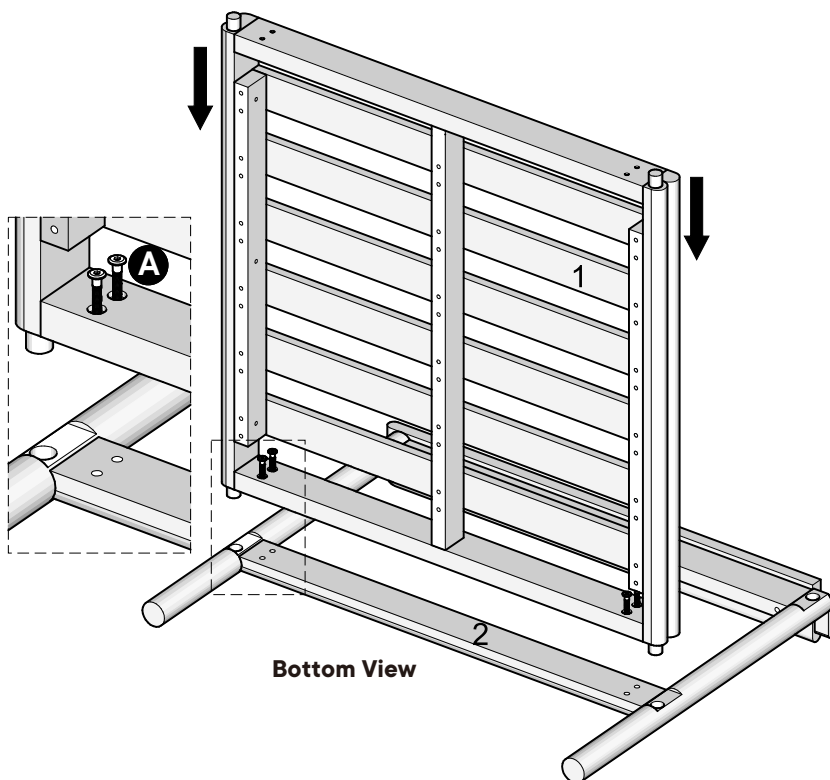
- ① Lounge Seat x1
- ② Left Frame x1

## HARDWARE

- Ⓐ JCBC Bolt M6 x 40mm x4

## TOOLS

- Ⓒ Allen Key x1



Bottom View

# Step 2

## COMPONENTS

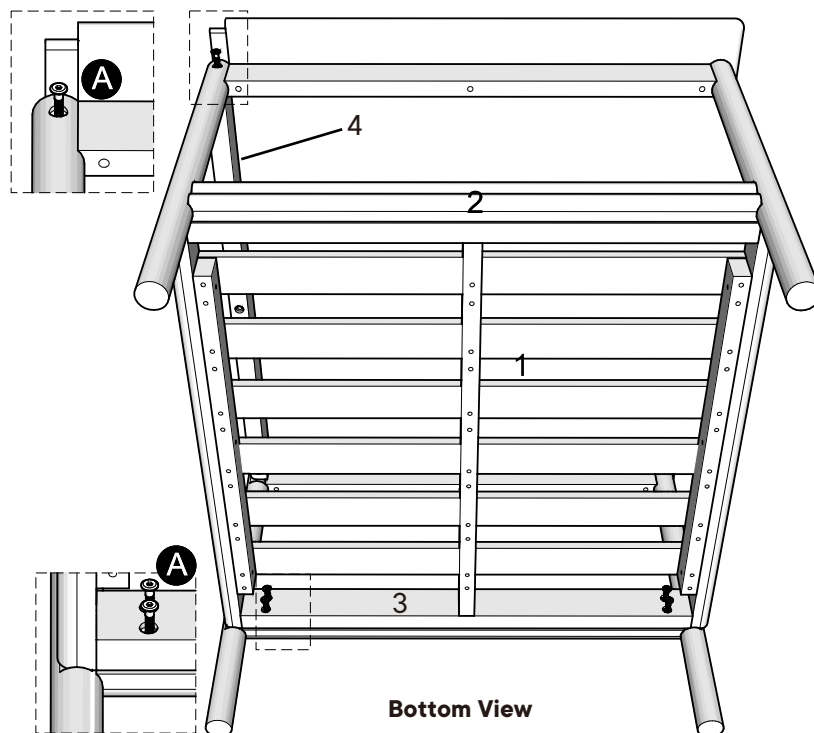
- ① Lounge Seat x1
- ② Left Frame x1
- ③ Right Frame x1
- ④ Back Rail x1

## HARDWARE

- Ⓐ JCBC Bolt M6 x 40mm x6

## TOOLS

- Ⓒ Allen Key x1



Bottom View

## Step 3

### COMPONENTS

5 Top Rail x1

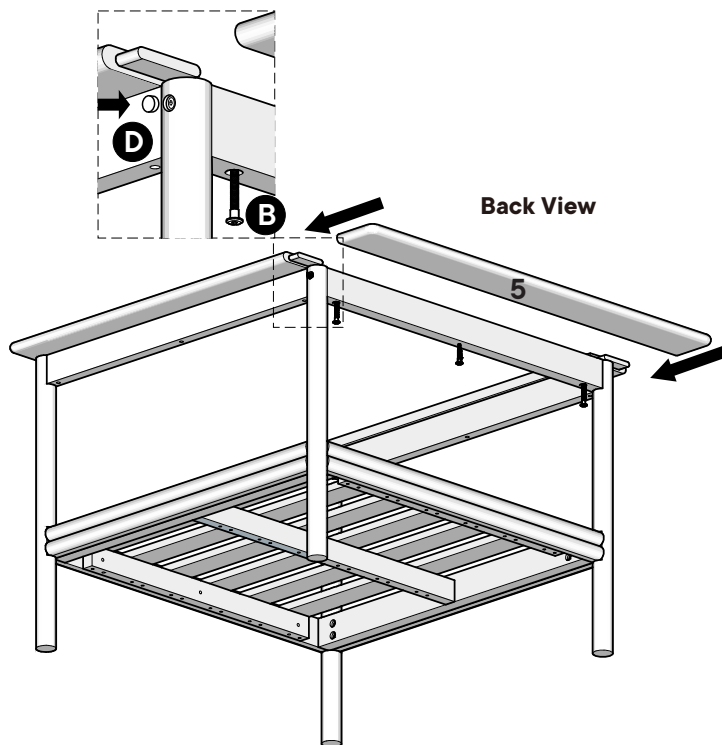
### HARDWARE

B JCBC Bolt M6 x 50mm x3

D Dowel Plug x2

### TOOLS

C Allen Key x1

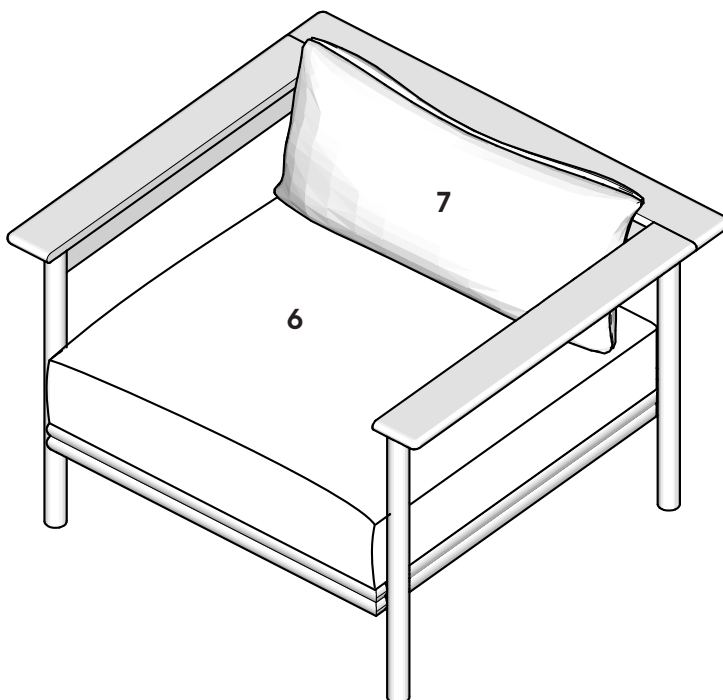


## Step 4

### COMPONENTS

6 Seat Cushion x1

7 Back Cushion x1



# Great job!

Your new chair is complete.

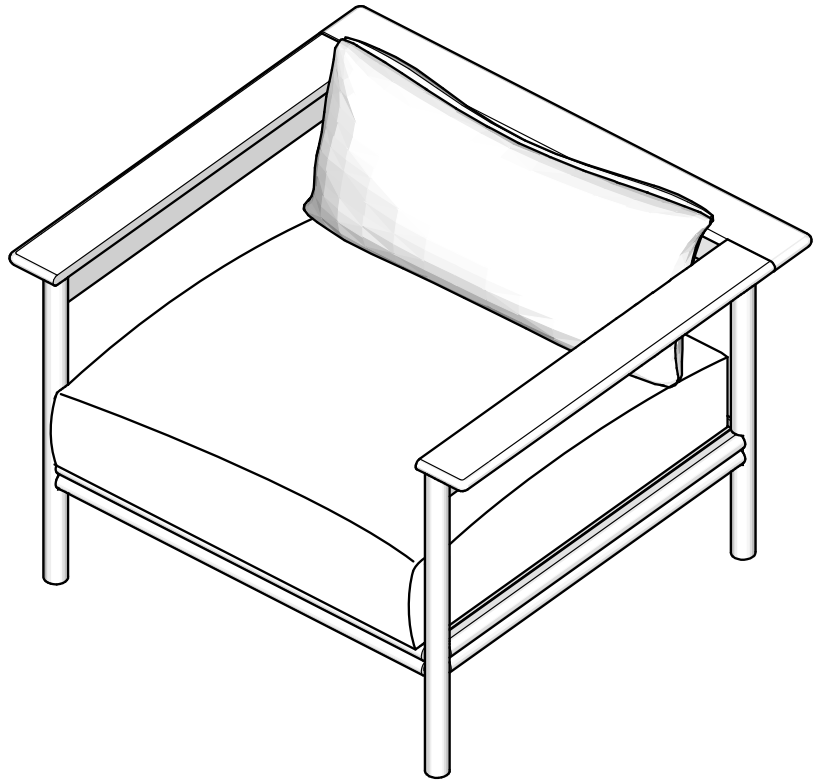
## ♥ CARING FOR YOUR ITEM

Depending on use, it may be necessary to tighten the hardware from time to time, so please save the tools that have been provided.

Not contract grade.

Clean using a non-abrasive cloth and a mild cleaner.

Retain the rich wood color by occasionally sanding lightly and applying a teak cleaner and protectant. The oils nourish and help restore the original look.



**CONNECT WITH US!**   

Tag us [@modway\\_furniture](#) and [#modway](#) for a chance to be featured.