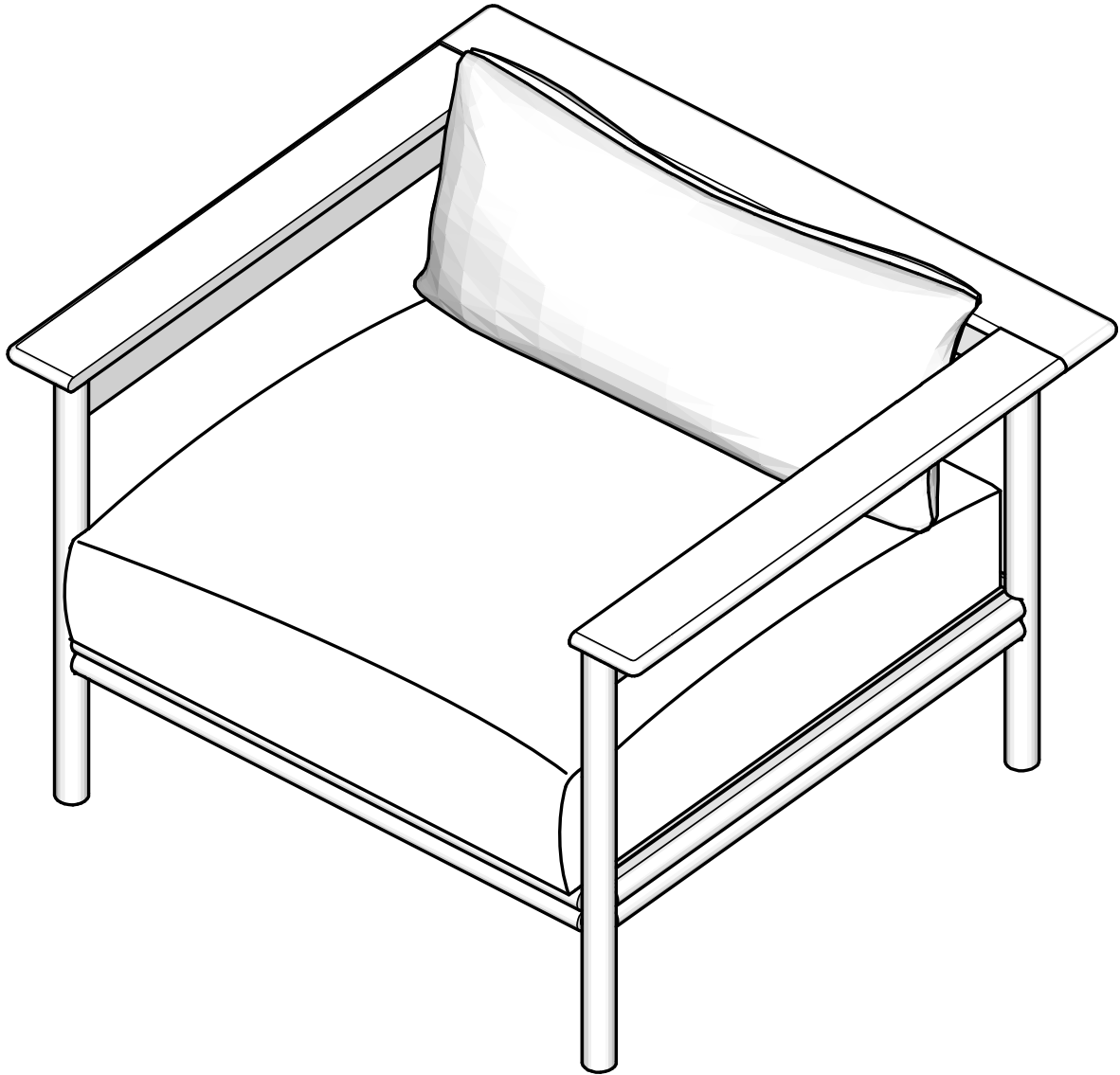


ASSEMBLY INSTRUCTIONS

EEI-7007

V0.25.03.24



Questions? Contact us!

609.256.9000 • cs@modway.com
www.modway.com

*modway

Let's get started!

*modway



Read through all of the instructions before starting



Care instructions are listed in the last step of this manual



Approx. 30 minutes assembly time



Make sure you have all parts and components before discarding any packing materials



2 people recommended for assembly

Only use hand tools to assemble this item. Do not use power tools. Do not tighten bolts or screws completely until all hardware is lined up

Do not over-tighten screws and bolts to avoid stripping the hardware or cracking the item.





Assemble your item on a flat, carpeted area, with plenty of space to work. This will prevent damage and scratches to your floors or the item while you're assembling the product.

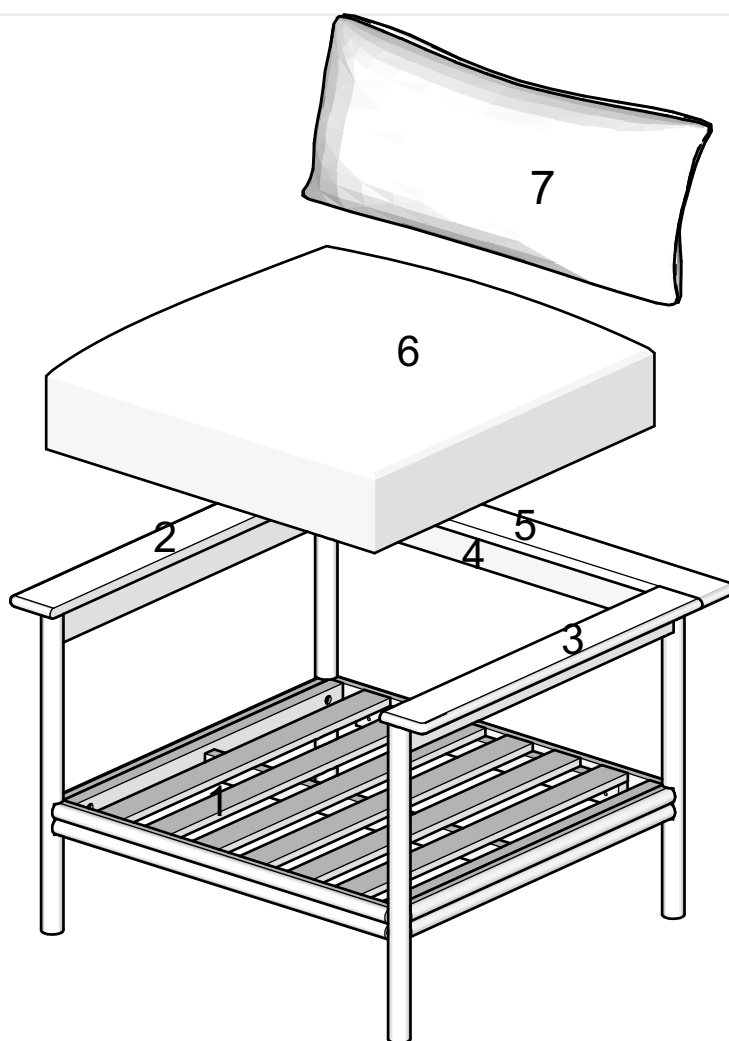
Keep all components and packaging out of reach of children or animals to avoid risk of choking or suffocation.

Furniture components:

1	Lounge Seat	x1
2	Left Frame	x1
3	Right Frame	x1
4	Back Rail	x1
5	Top Rail	x1
6	Seat Cushion	x1
7	Back Cushion	x1

Provided hardware:

A		JCBC Bolt M6x40mm	x10
B		JCBC Bolt M6x50mm	x3
C		Allen Key	x1
D		Dowel Plug	x2



Wait!

Missing parts or hardware? Need assistance?

Contact us before returning your item. We're here to help!

609.256.9000 • cs@modway.com

Step 1

COMPONENTS

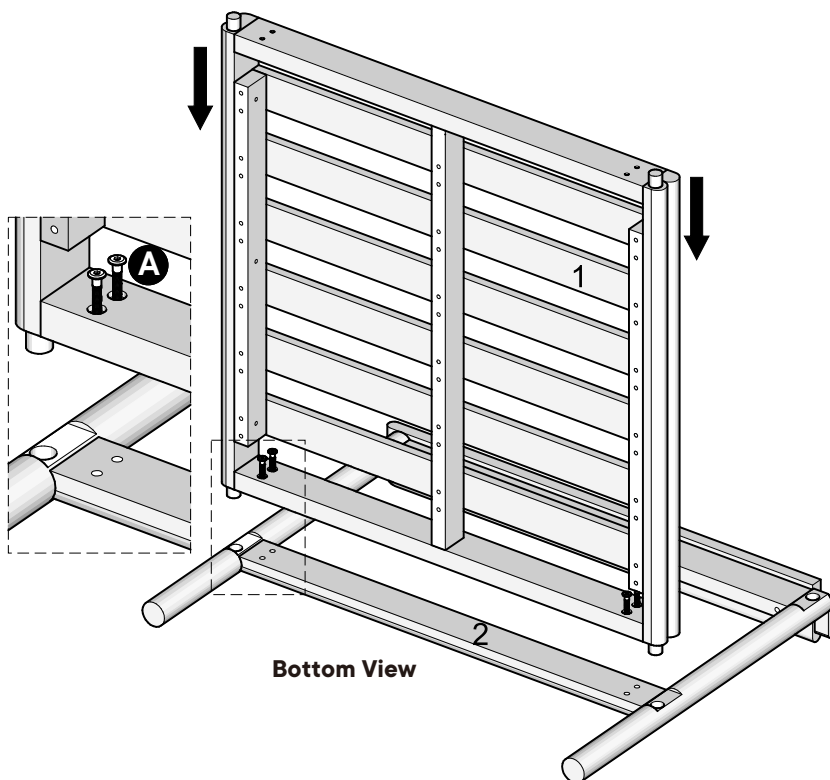
- ① Lounge Seat x1
- ② Left Frame x1

HARDWARE

- Ⓐ JCBC Bolt M6 x 40mm x4

TOOLS

- Ⓒ Allen Key x1



Bottom View

Step 2

COMPONENTS

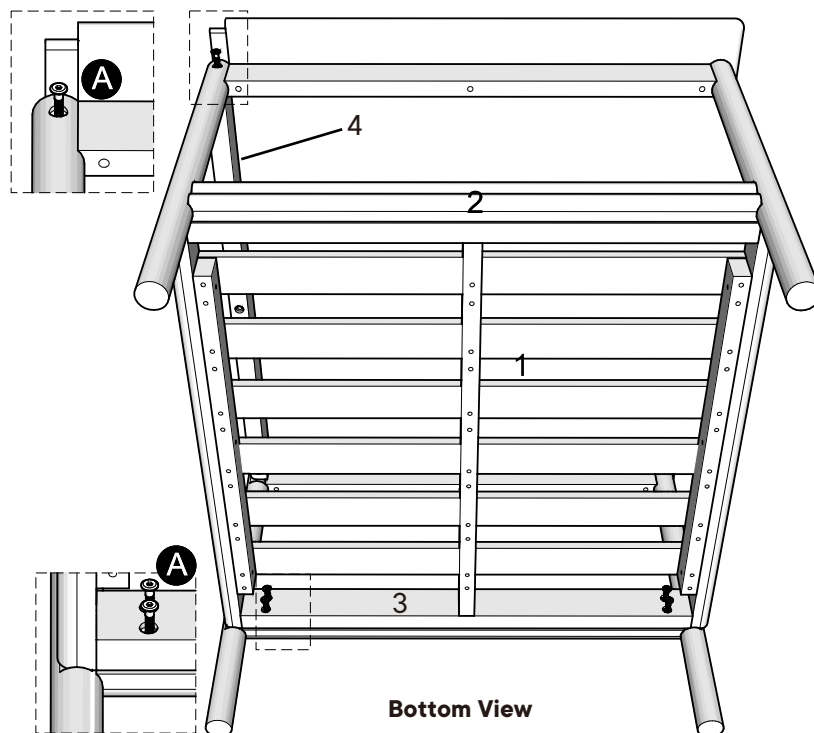
- ① Lounge Seat x1
- ② Left Frame x1
- ③ Right Frame x1
- ④ Back Rail x1

HARDWARE

- Ⓐ JCBC Bolt M6 x 40mm x6

TOOLS

- Ⓒ Allen Key x1



Bottom View

Step 3

COMPONENTS

5 Top Rail x1

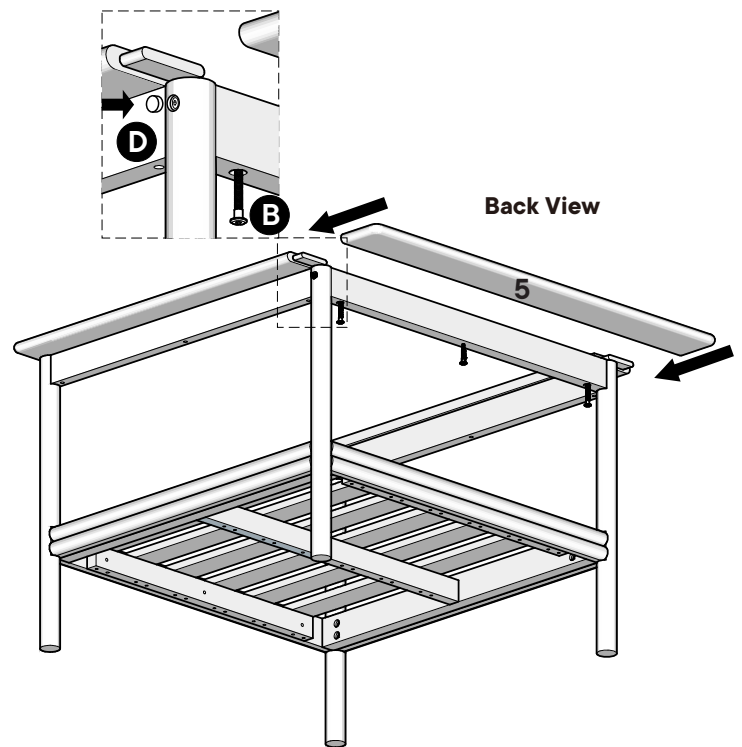
HARDWARE

B JCBC Bolt M6 x 50mm x3

D Dowel Plug x2

TOOLS

C Allen Key x1

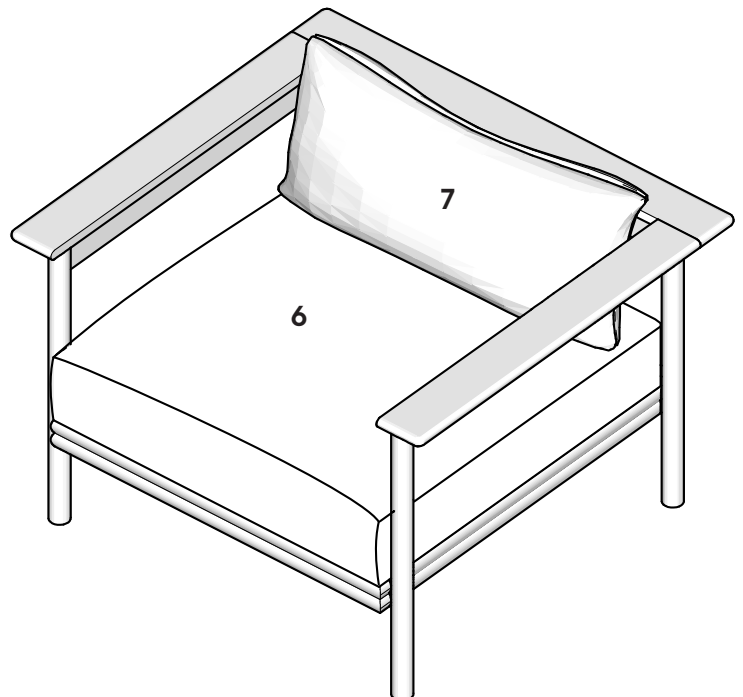


Step 4

COMPONENTS

6 Seat Cushion x1

7 Back Cushion x1



Great job!

Your new chair is complete.

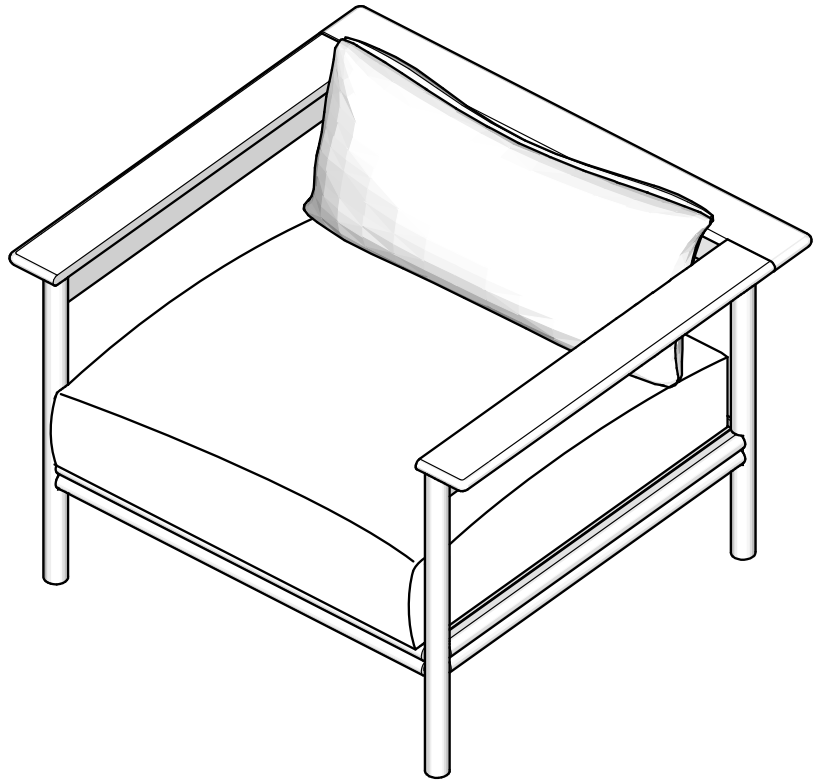
♥ CARING FOR YOUR ITEM

Depending on use, it may be necessary to tighten the hardware from time to time, so please save the tools that have been provided.

Not contract grade.

Clean using a non-abrasive cloth and a mild cleaner.

Retain the rich wood color by occasionally sanding lightly and applying a teak cleaner and protectant. The oils nourish and help restore the original look.



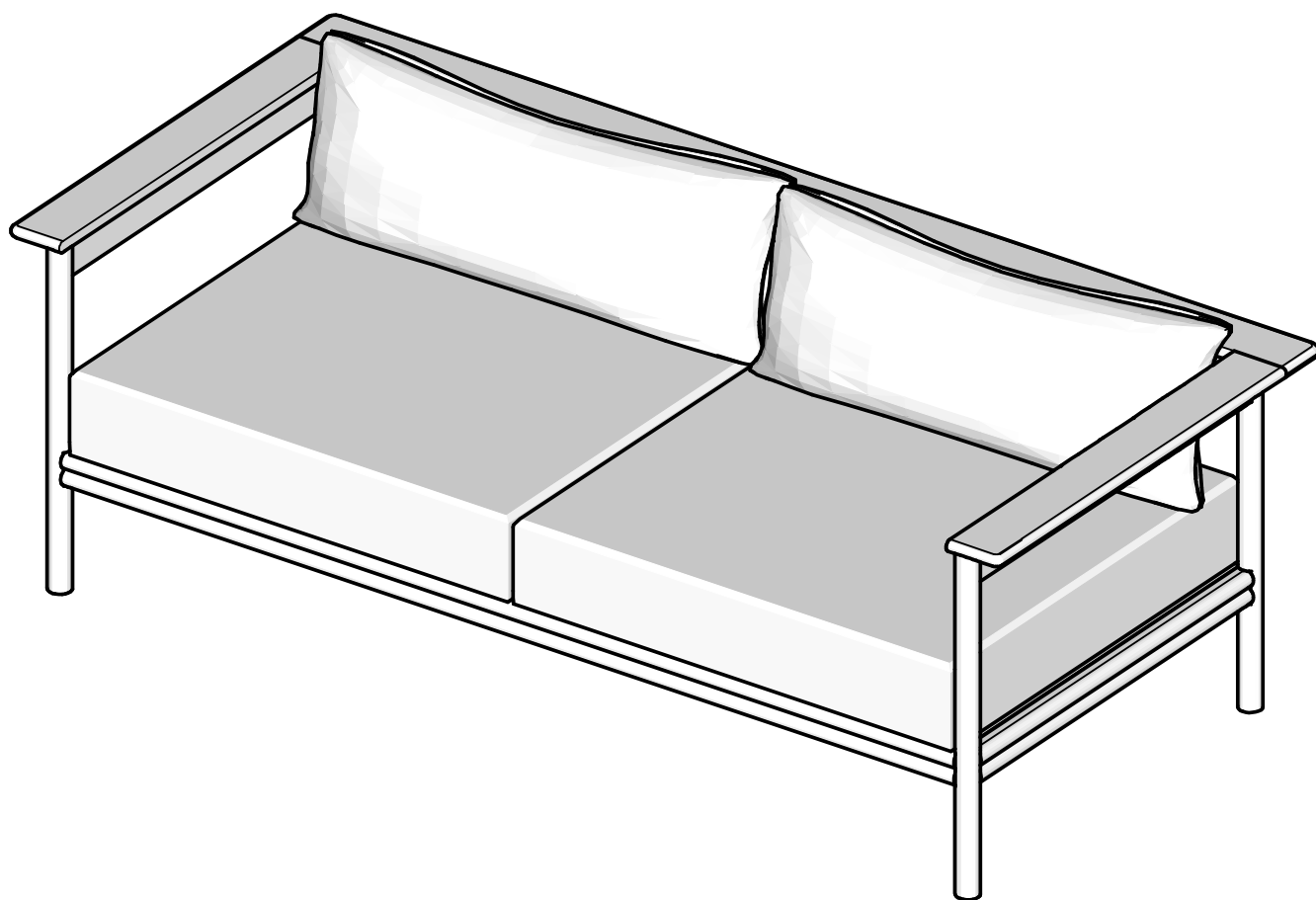
CONNECT WITH US!   

Tag us [@modway_furniture](#) and [#modway](#) for a chance to be featured.

ASSEMBLY INSTRUCTIONS

EEI-7008

V0.25.03.24



Questions? Contact us!

609.256.9000 • cs@modway.com
www.modway.com

*modway

Let's get started!

*modway



Read through all of the instructions before starting



Care instructions are listed in the last step of this manual



Approx. 30 minutes assembly time



Make sure you have all parts and components before discarding any packing materials



2 people recommended for assembly

Only use hand tools to assemble this item. Do not use power tools. Do not tighten bolts or screws completely until all hardware is lined up

Do not over-tighten screws and bolts to avoid stripping the hardware or cracking the item.

Assemble your item on a flat, carpeted area, with plenty of space to work. This will prevent damage and scratches to your floors or the item while you're assembling the product.

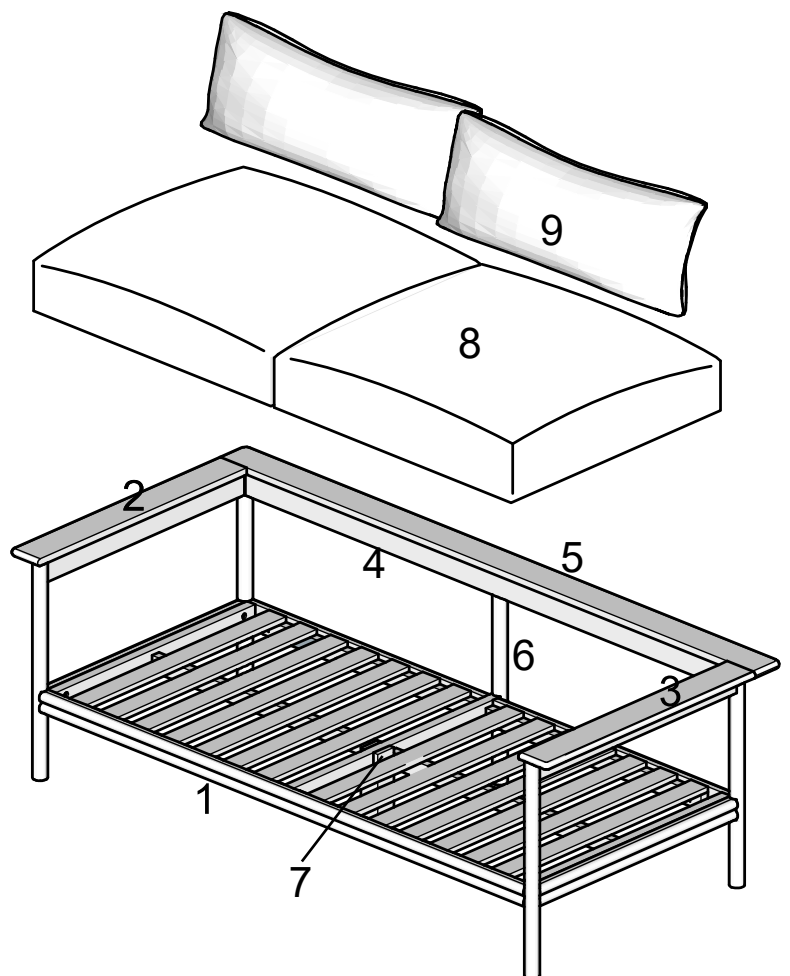
Keep all components and packaging out of reach of children or animals to avoid risk of choking or suffocation.

Furniture components:

1	Lounge Seat	x1
2	Le F rame	x1
3	Right Frame	x1
4	Back Rail	x1
5	Top Rail	x1
6	Back Leg	x1
7	Middle Leg	x1
8	Seat Cushion	x2
9	Back Cushion	x2

Provided hardware:

A		JCBC Bolt M6x50mm	x5
B		JCBC Bolt M6x40mm	x10
C		JCBC Bolt M6x35mm	x2
D		JCBC Bolt M6x20mm	x1
E		Allen Key	x1
D		Dowel Plug	x3



Wait!

Missing parts or hardware? Need assistance?

Contact us before returning your item. We're here to help!

609.256.9000 • cs@modway.com

Step 1

COMPONENTS

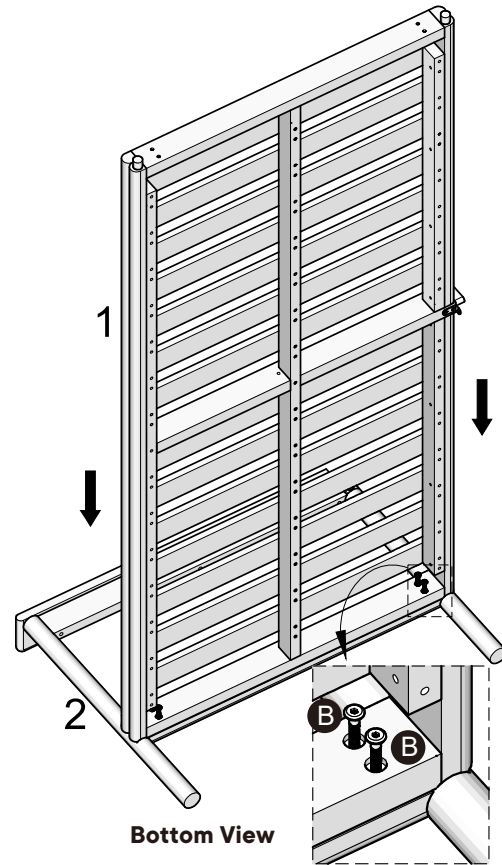
- 1 Lounge Seat x1
- 2 Left Frame x1

HARDWARE

- B JCBC Bolt M6 x 40mm x4

TOOLS

- E Allen Key x1



Step 2

COMPONENTS

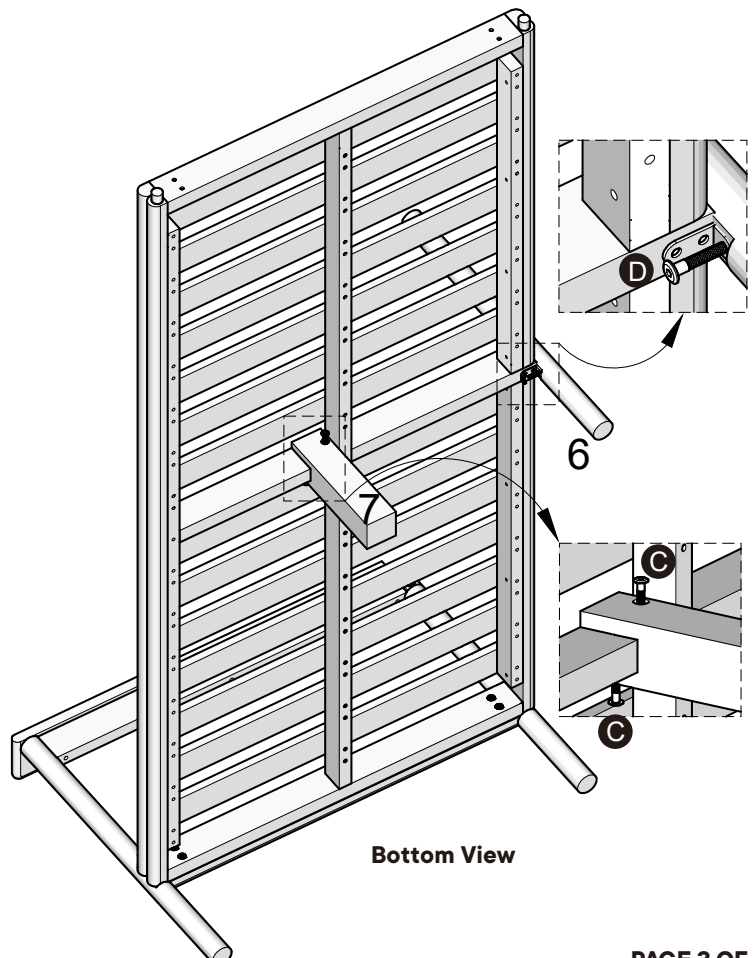
- 6 Back Leg x1
- 7 Middle Leg x1

HARDWARE

- C JCBC Bolt M6 x 35mm x2
- D JCBC Bolt M6 x 20mm x1

TOOLS

- E Allen Key x1



Step 3

COMPONENTS

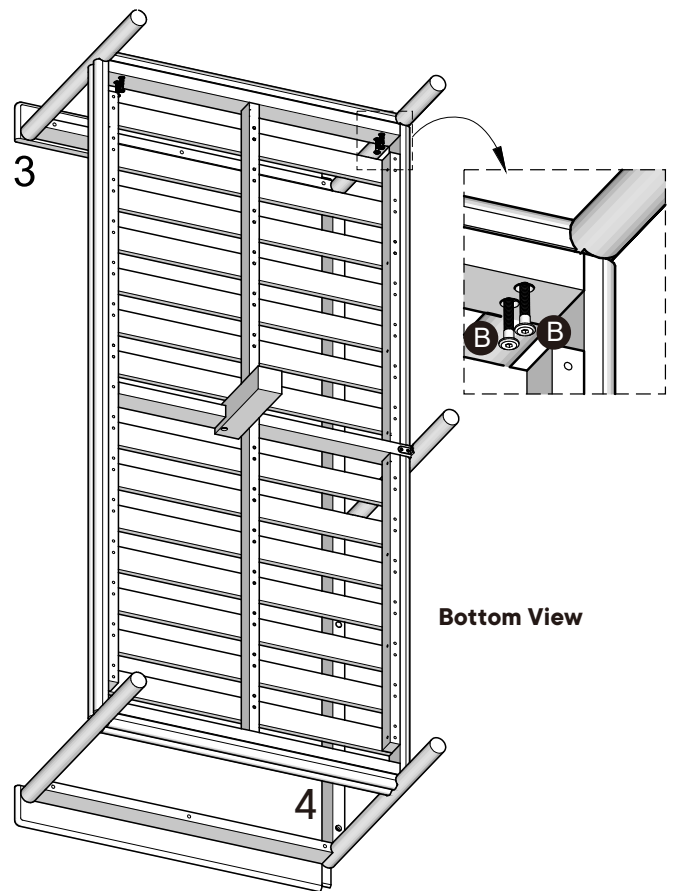
- ③ Right Frame x1
- ④ Back Rail x1

HARDWARE

- Ⓑ JCBC Bolt M6 x 40mm x4

TOOLS

- Ⓔ Allen Key x1



Step 4

COMPONENTS

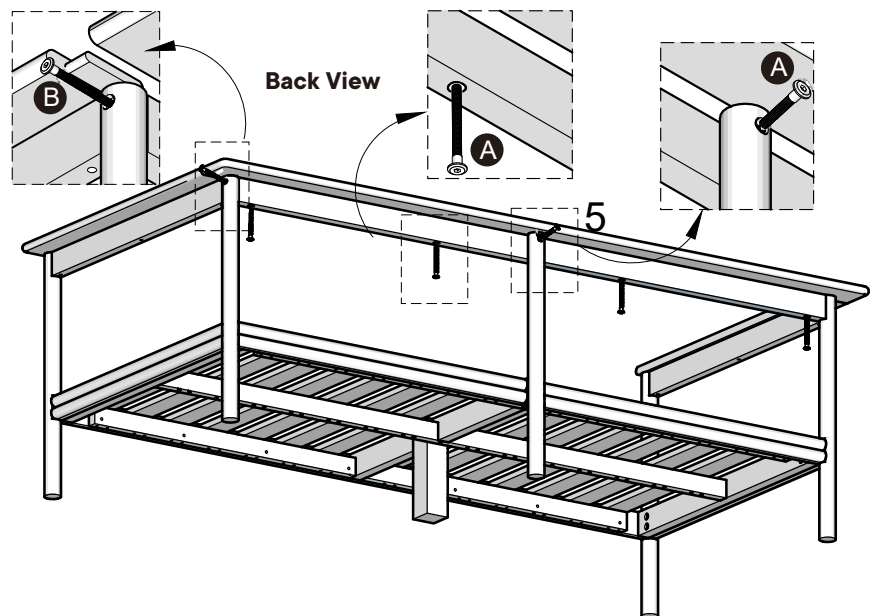
- ⑤ Top Rail x1

HARDWARE

- Ⓐ JCBC Bolt M6 x 50mm x5
- Ⓑ JCBC Bolt M6 x 40mm x2

TOOLS

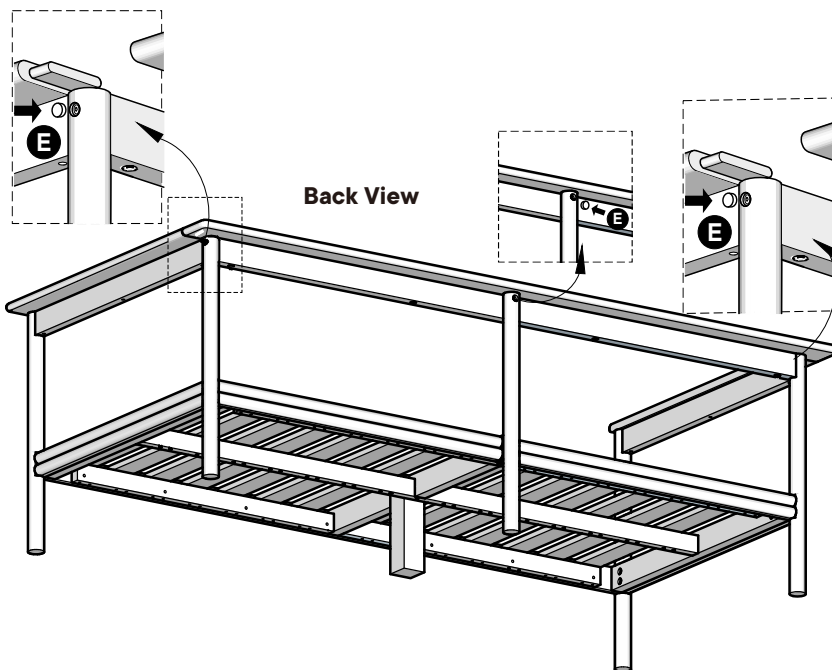
- Ⓓ Allen Key x1



Step 5

HARDWARE

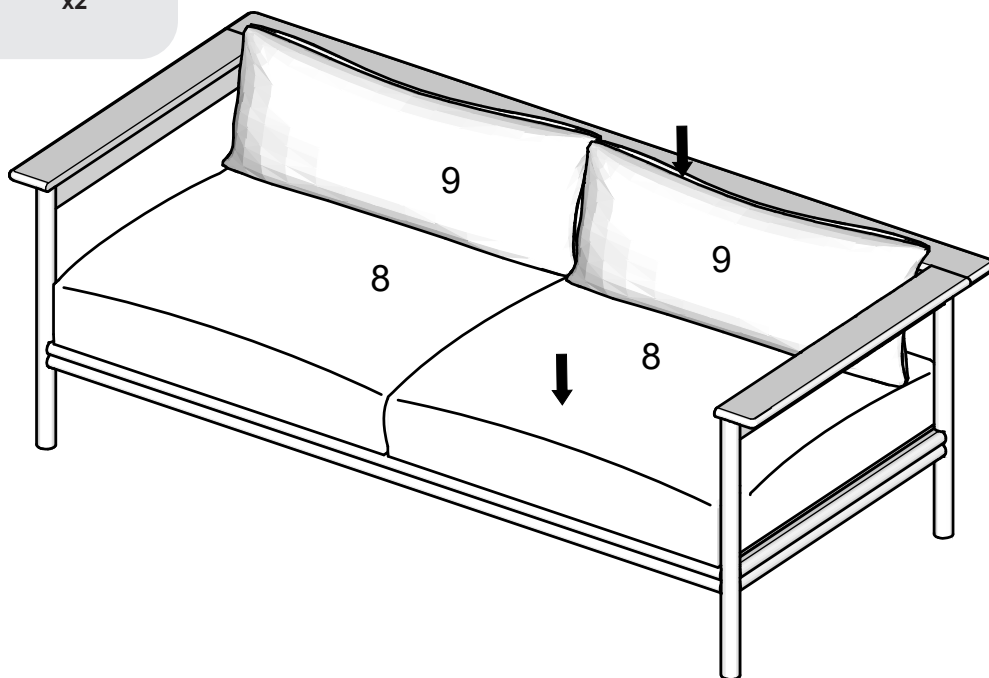
- E** Dowel Plug x3



Step 6

COMPONENTS

- 8** Seat Cushion x2
- 9** Back Cushion x2



Great job!

Your new sofa is complete.

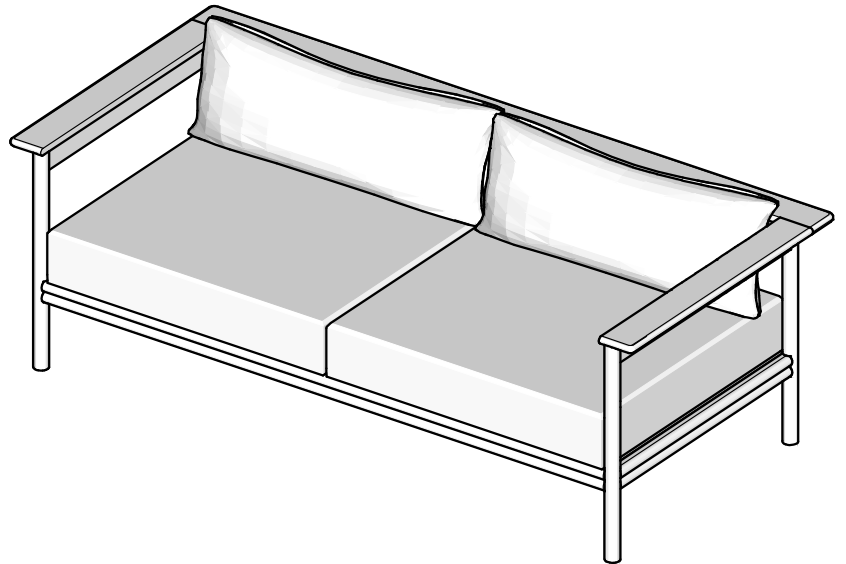
♥ CARING FOR YOUR ITEM

Depending on use, it may be necessary to tighten the hardware from time to time, so please save the tools that have been provided.

Not contract grade.

Clean using a non-abrasive cloth and a mild cleaner.

Retain the rich wood color by occasionally sanding lightly and applying a teak cleaner and protectant. The oils nourish and help restore the original look.



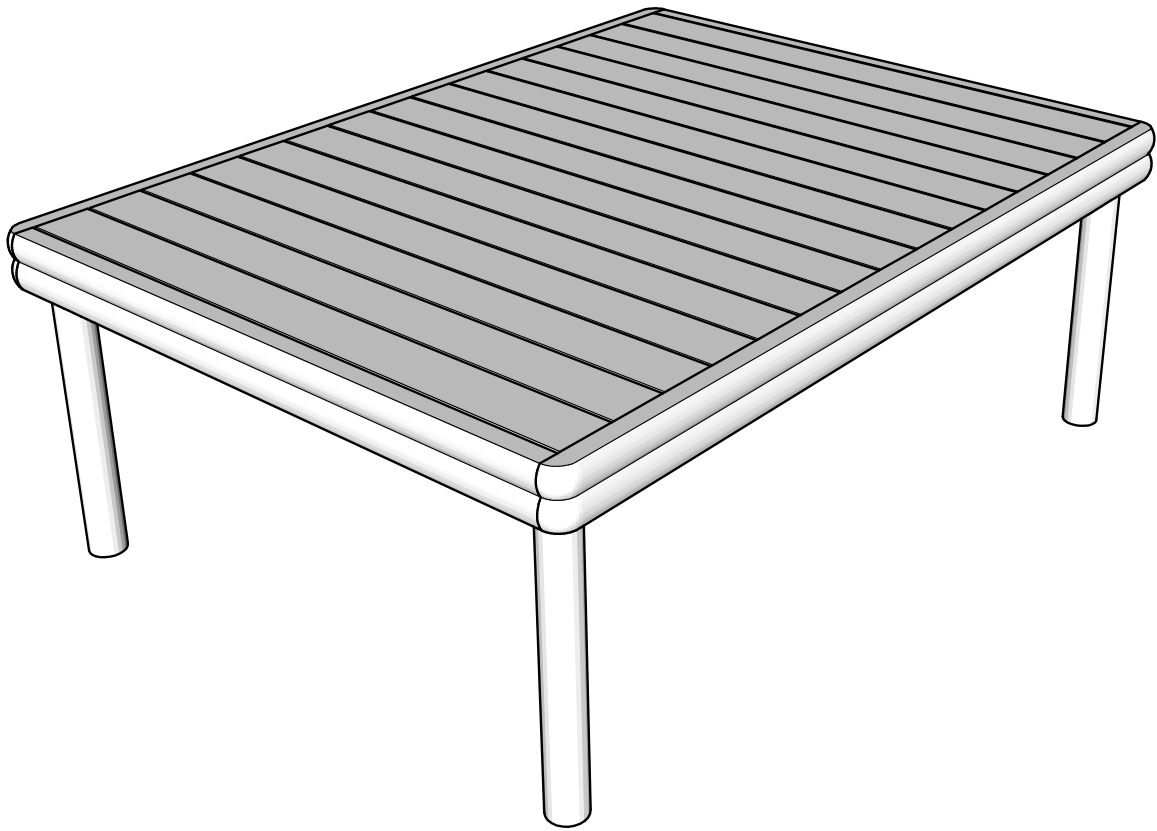
CONNECT WITH US!

Tag us [@modway_furniture](#) and [#modway](#) for a chance to be featured.

ASSEMBLY INSTRUCTIONS

EEI-7010

V0.25.03.24



Questions? Contact us!

609.256.9000 • cs@modway.com
www.modway.com

*modway

Let's get started!

*modway



Read through all of the instructions before starting



Care instructions are listed in the last step of this manual



Approx. 30 minutes assembly time



Make sure you have all parts and components before discarding any packing materials



2 people recommended for assembly

Only use hand tools to assemble this item. Do not use power tools. Do not tighten bolts or screws completely until all hardware is lined up and inserted into the holes.

Do not over-tighten screws and bolts to avoid stripping the hardware or cracking the item.

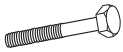


Assemble your item on a flat, carpeted area, with plenty of space to work. This will prevent damage and scratches to your floors or the item while you're assembling the product.

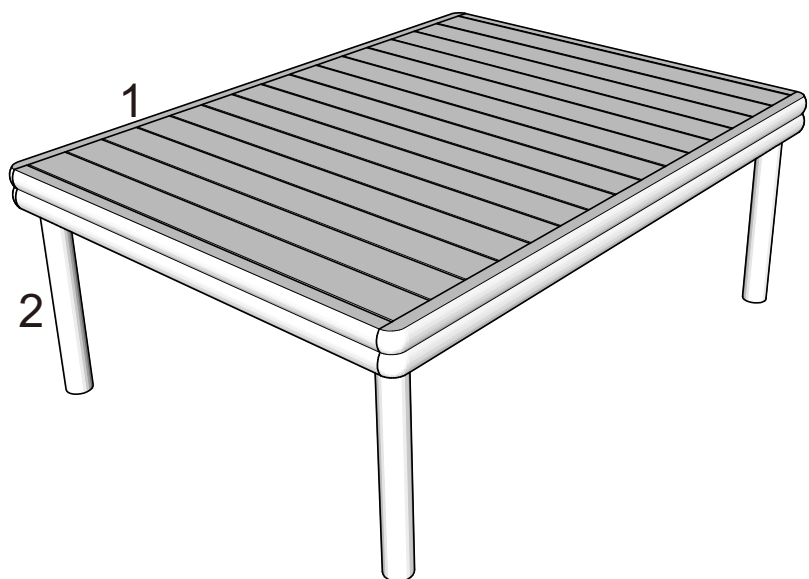
Keep all components and packaging out of reach of children or animals to avoid risk of choking or suffocation.

Furniture components:

1	Table Top	x1
2	Leg	x4

Provided hardware:

A		Bolt M8x40mm	x8
B		Flat Washer	x8
C		Wrench	x1



Wait!

Missing parts or hardware? Need assistance?

Contact us before returning your item. We're here to help!
609.256.9000 • cs@modway.com

Step 1

COMPONENTS

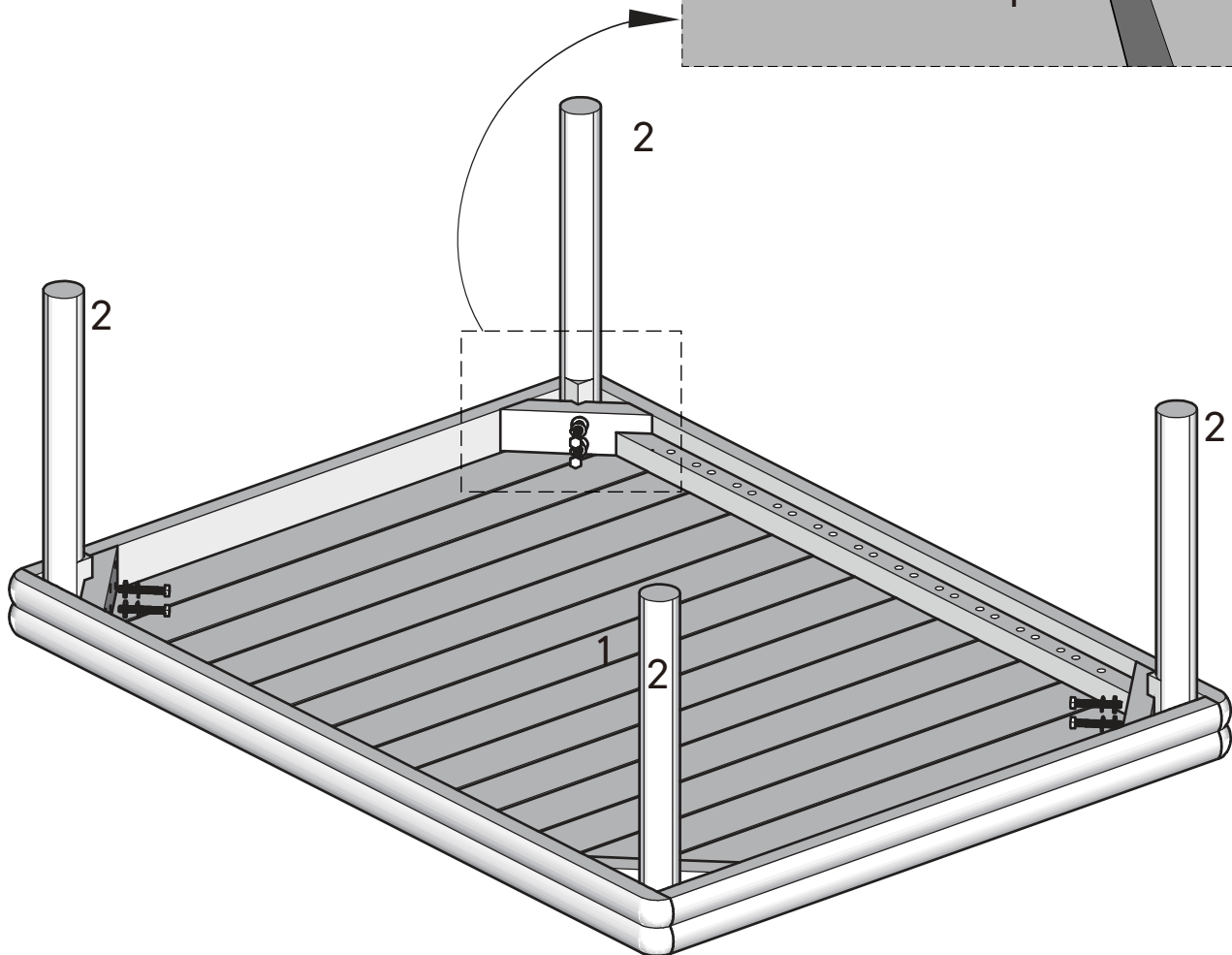
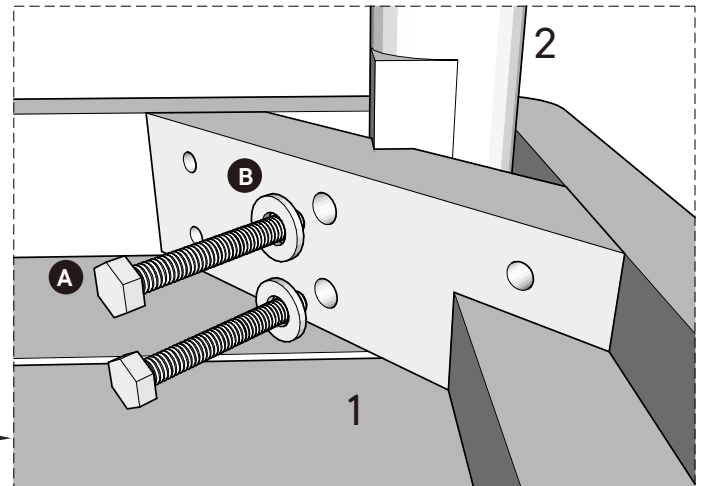
- 1 Table Top x1
- 2 Leg x4

HARDWARE

- A Bolt M8 x 40 mm x8
- B Flat Washer x8

TOOLS

- C Wrench x1



Great job!

Your new coffee table is complete.

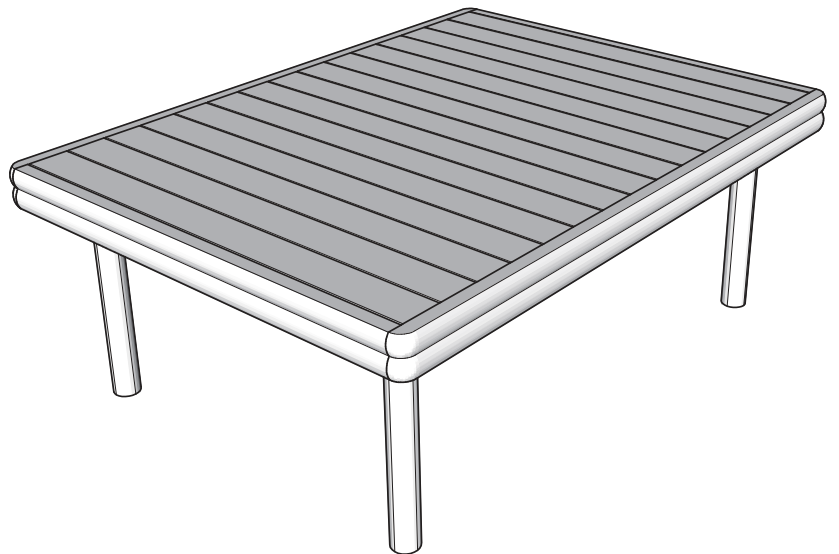
♡ CARING FOR YOUR ITEM

Depending on use, it may be necessary to tighten the hardware from time to time, so please save the tools that have been provided.

Not contract grade.

Clean using a non-abrasive cloth and a mild cleaner.

Retain the rich wood color by occasionally sanding lightly and applying a teak cleaner and protectant. The oils nourish and help restore the original look.



CONNECT WITH US!

Tag us [@modway_furniture](#) and [#modway](#) for a chance to be featured.