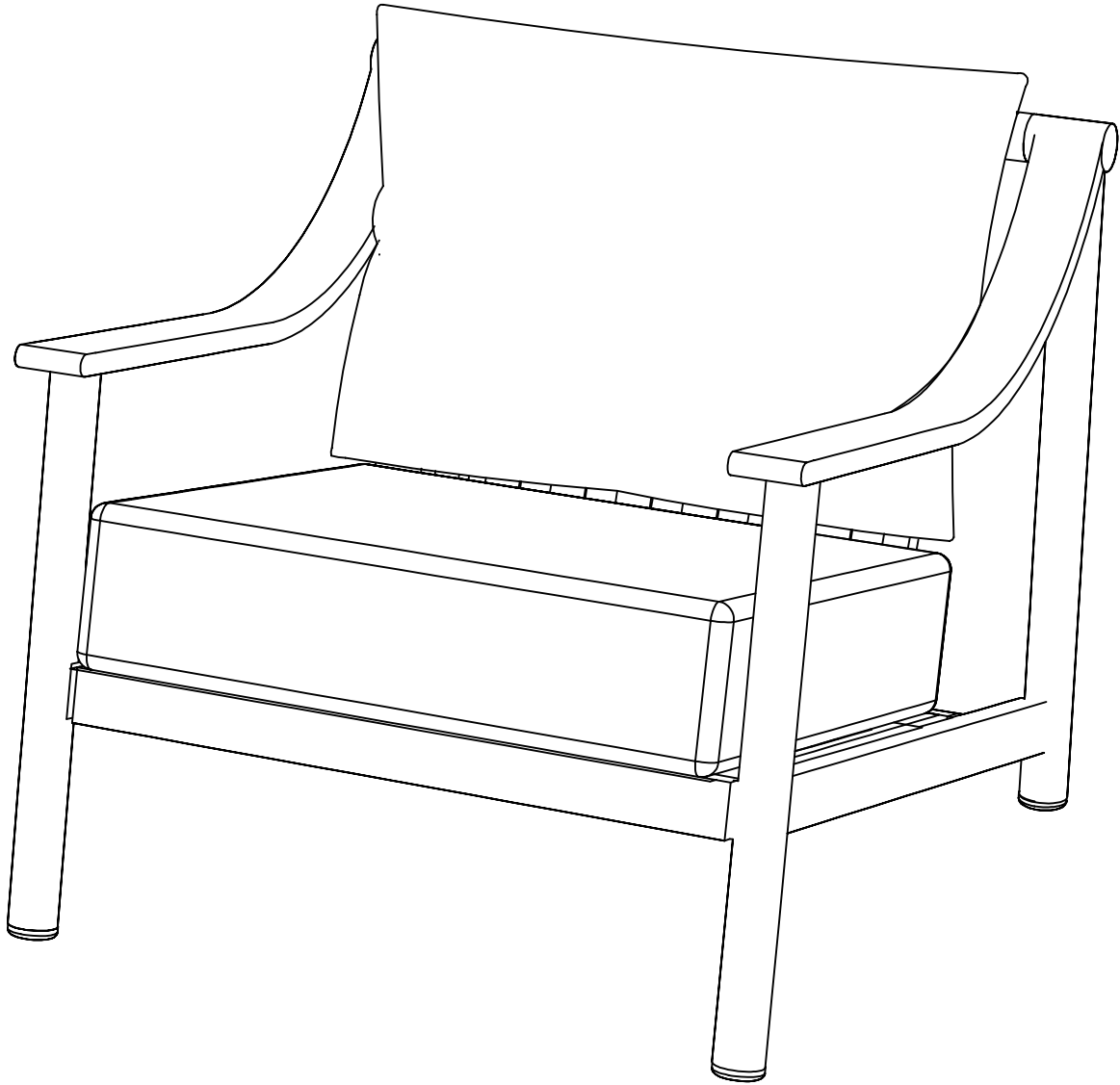


ASSEMBLY INSTRUCTIONS

EEI-6976

V0.20.04.24



Questions? Contact us!

609.256.9000 • cs@modway.com

www.modway.com

***modway**

Let's get started!

*modway



Read through all of the instructions before starting



Care instructions are listed in the last step of this manual



Approx. 30 minutes assembly time



Make sure you have all parts and components before discarding any packing materials



2 people recommended for assembly

Only use hand tools to assemble this item. Do not use power tools. Do not tighten bolts or screws completely until all hardware is lined up and inserted into the holes.

Do not over-tighten screws and bolts to avoid stripping the hardware or cracking the item.


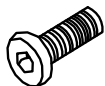

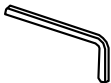
Assemble your item on a flat, carpeted area, with plenty of space to work. This will prevent damage and scratches to your floors or the item while you're assembling the product.

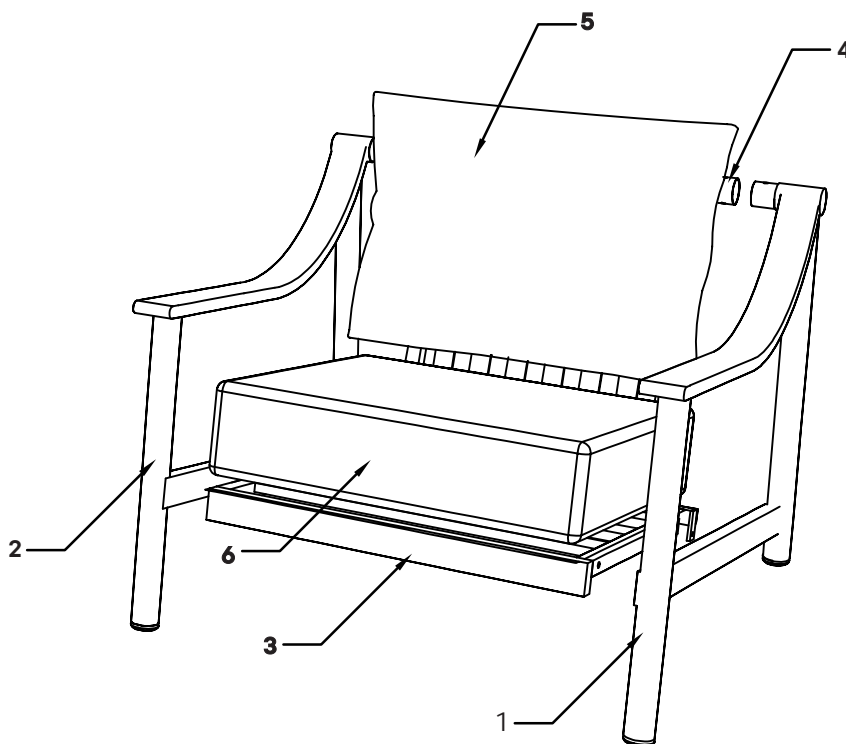
Keep all components and packaging out of reach of children or animals to avoid risk of choking or suffocation.

Furniture components:

1	Right Armrest	x1
2	Left Armrest	x1
3	Seat Plate	x1
4	Backrest	x1
5	Back Cushion	x1
6	Seat Cushion	x1

Provided hardware:

A		Cam Bolt M6 x 15mm	x4
B		Cam Bolt M6 x 35mm	x4
C		Flat Washer M6	x8
D		Allen Key	x1



Wait!

Missing parts or hardware? Need assistance?

Contact us before returning your item. We're here to help!
609.256.9000 • cs@modway.com

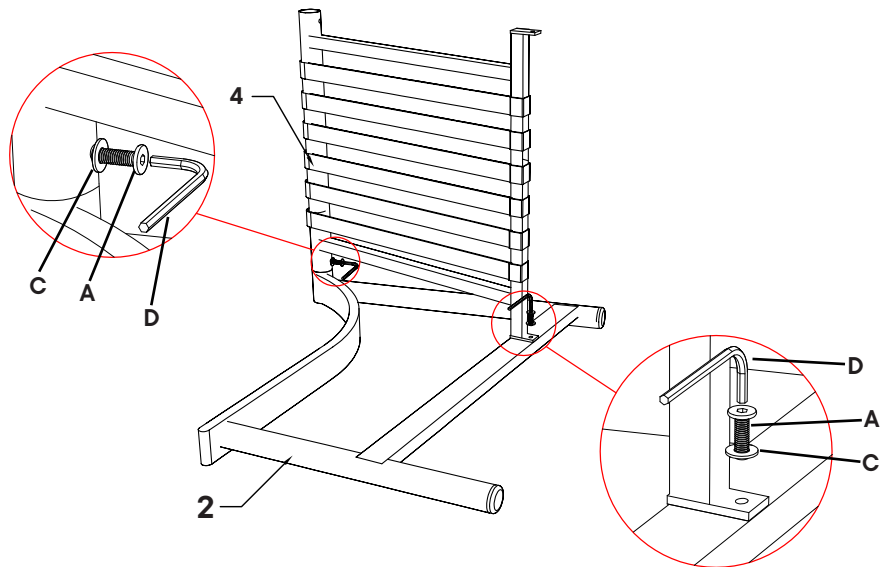
Step 1

COMPONENTS

- 1 Right Armrest x1
- 4 Backrest x1

HARDWARE

- A Cam Bolt M6 x 15mm x2
- C Flat Washer M6 x2
- D Allen Key x1



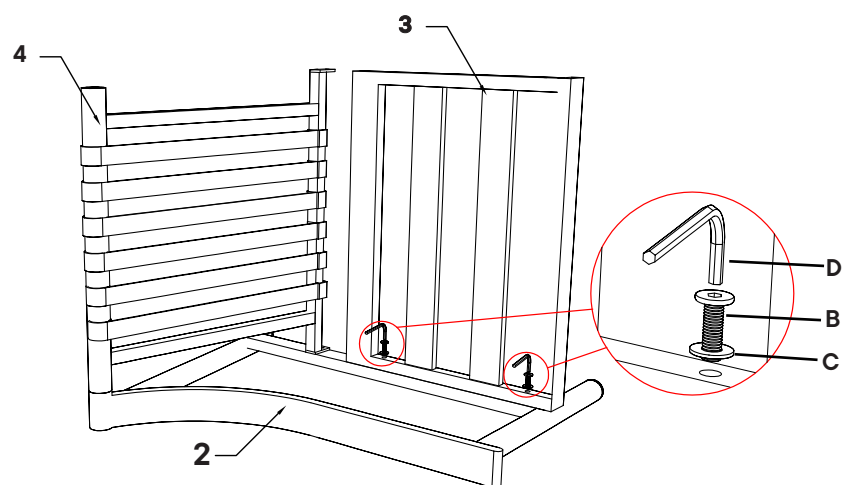
Step 2

COMPONENTS

- 1 Right Armrest x1
- 3 Seat Plate x1
- 4 Backrest x1

HARDWARE

- B Cam Bolt M6 x 35mm x2
- C Flat Washer M6 x2
- D Allen Key x1



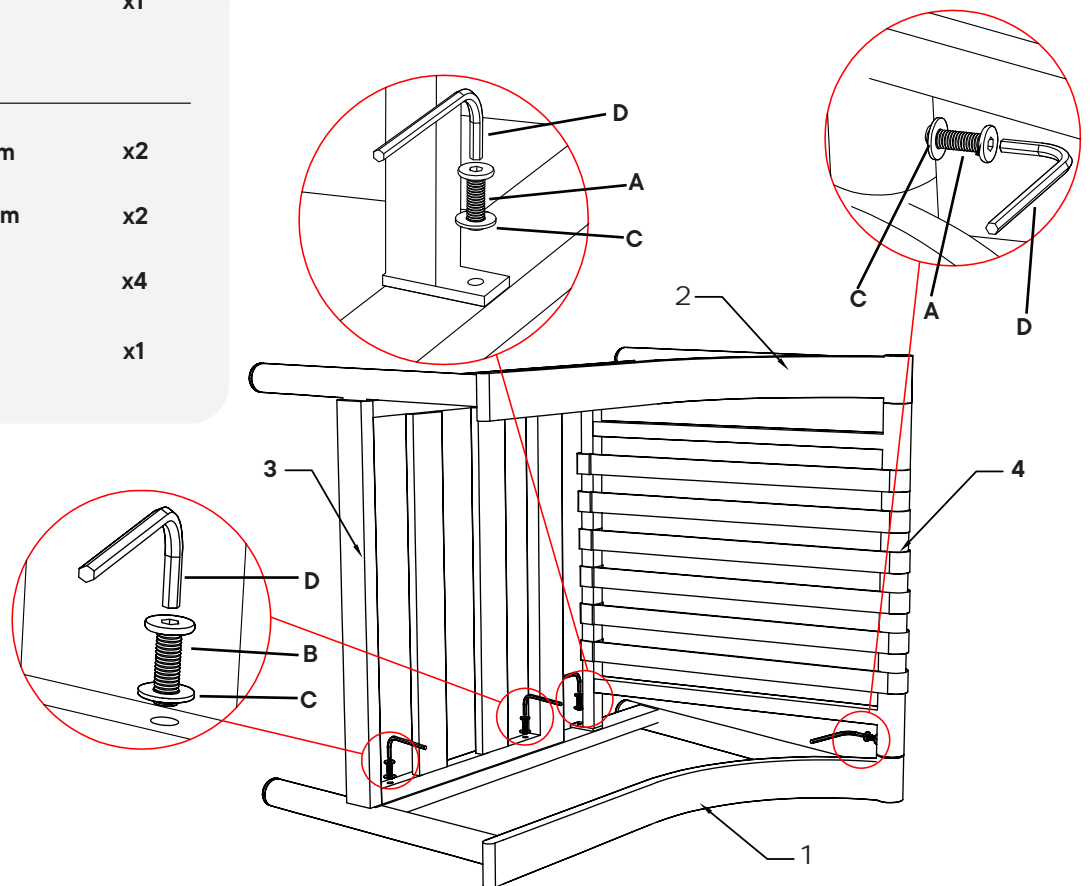
Step 3

COMPONENTS

1	Right Armrest	x1
2	Left Armrest	x1
3	Seat Plate	x1
4	Backrest	x1

HARDWARE

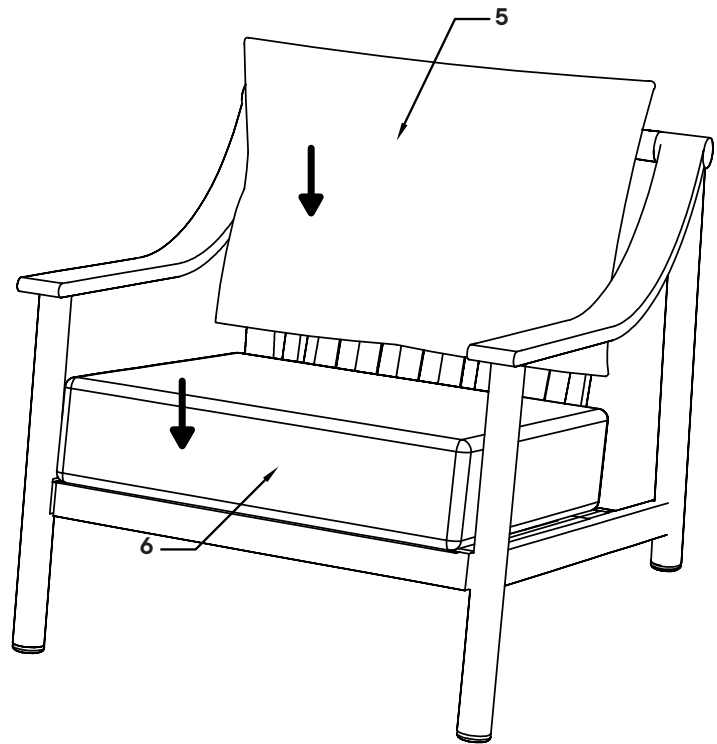
A	Cam Bolt M6 x 15mm	x2
B	Cam Bolt M6 x 35mm	x2
C	Flat Washer M6	x4
D	Allen Key	x1



Step 4

COMPONENTS

- 5 Back Cushion x1
- 6 Seat Cushion x1



Great job!

Your new sofa is complete.

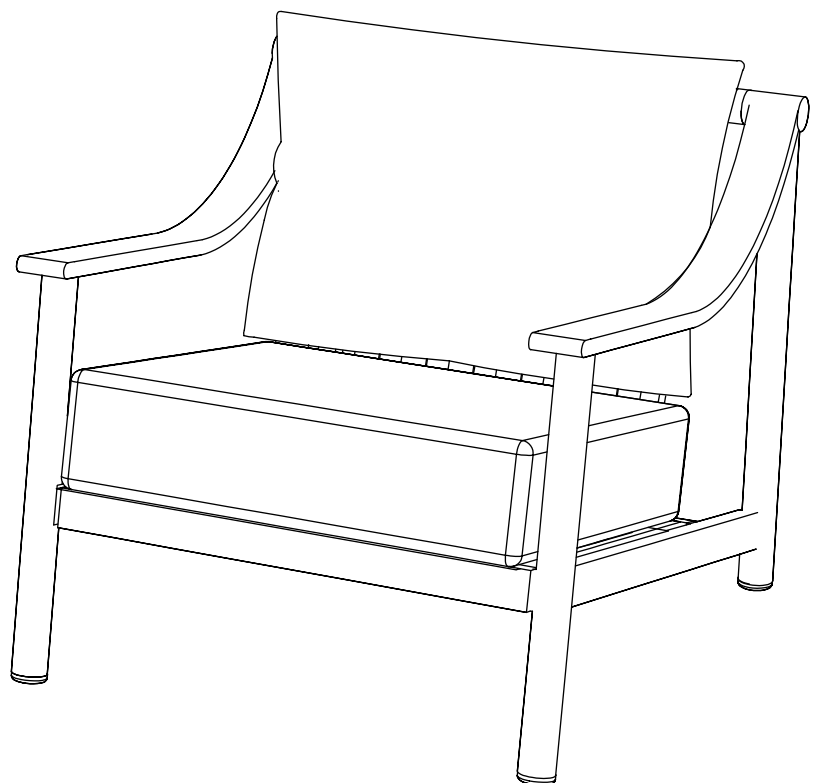
♥ CARING FOR YOUR ITEM

Indoor and outdoor use.

Not contract grade.

Spot clean using a non-abrasive cloth and a mild cleaner.

Never use harsh chemicals, as they could damage the finish or integrity of the item.



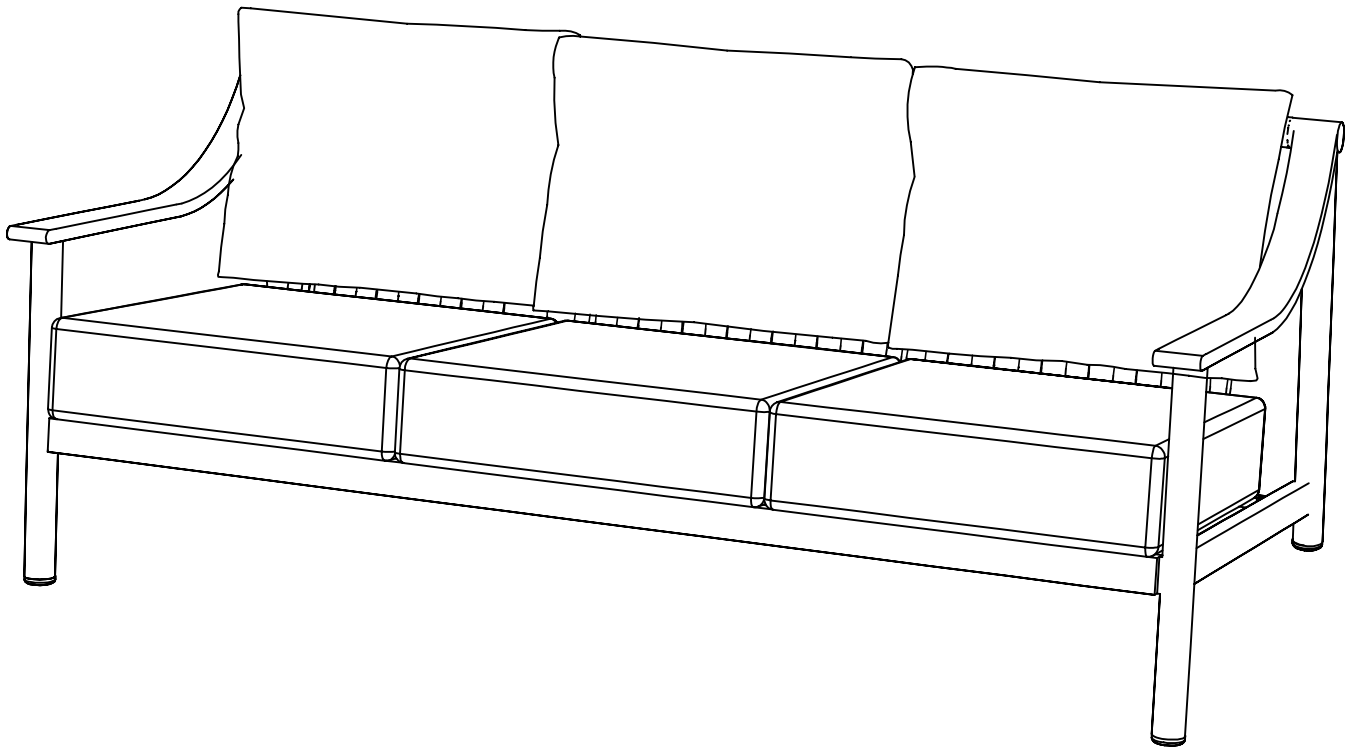
CONNECT WITH US!   

Tag us @modway_furniture and #modway for a chance to be featured.

ASSEMBLY INSTRUCTIONS

EEI-6977

V0.20.04.24



Questions? Contact us!

609.256.9000 • cs@modway.com

www.modway.com

***modway**

Let's get started!

*modway



Read through all of the instructions before starting



Care instructions are listed in the last step of this manual



Approx. 30 minutes assembly time



Make sure you have all parts and components before discarding any packing materials



2 people recommended for assembly

Only use hand tools to assemble this item. Do not use power tools. Do not tighten bolts or screws completely until all hardware is lined up and inserted into the holes.

Do not over-tighten screws and bolts to avoid stripping the hardware or cracking the item.




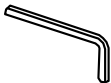
Assemble your item on a flat, carpeted area, with plenty of space to work. This will prevent damage and scratches to your floors or the item while you're assembling the product.

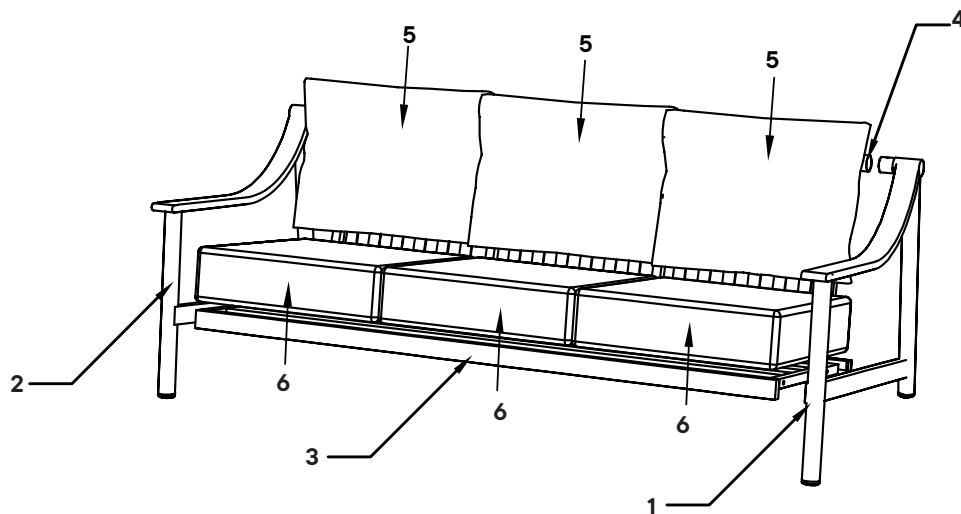
Keep all components and packaging out of reach of children or animals to avoid risk of choking or suffocation.

Furniture components:

1	Right Armrest	x1
2	Left Armrest	x1
3	Seat Plate	x1
4	Backrest	x1
5	Back Cushion	x3
6	Seat Cushion	x3

Provided hardware:

A		Cam Bolt M6 x 15mm	x8
B		Cam Bolt M6 x 35mm	x4
C		Flat Washer M6	x12
D		Allen Key	x1



Wait!

Missing parts or hardware? Need assistance?

Contact us before returning your item. We're here to help!
609.256.9000 • cs@modway.com

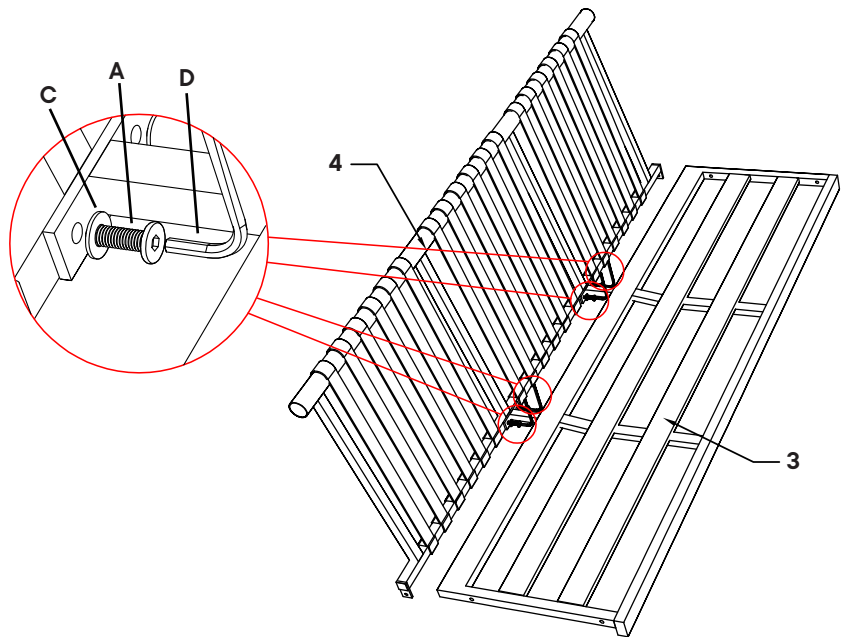
Step 1

COMPONENTS

- ③ Seat Plate x1
- ④ Backrest x1

HARDWARE

- Ⓐ Cam Bolt M6 x 15mm x4
- Ⓒ Flat Washer M6 x4
- Ⓓ Allen Key x1



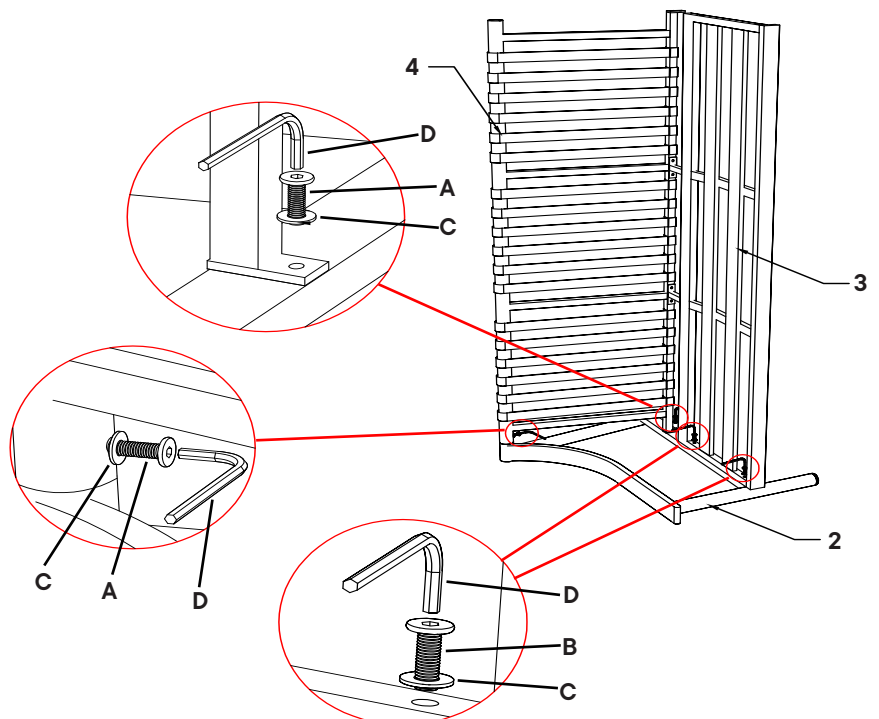
Step 2

COMPONENTS

- ① Right Armrest x1
- ③ Seat Plate x1
- ④ Backrest x1

HARDWARE

- Ⓐ Cam Bolt M6 x 15mm x2
- Ⓑ Cam Bolt M6 x 35mm x2
- Ⓒ Flat Washer M6 x4
- Ⓓ Allen Key x1



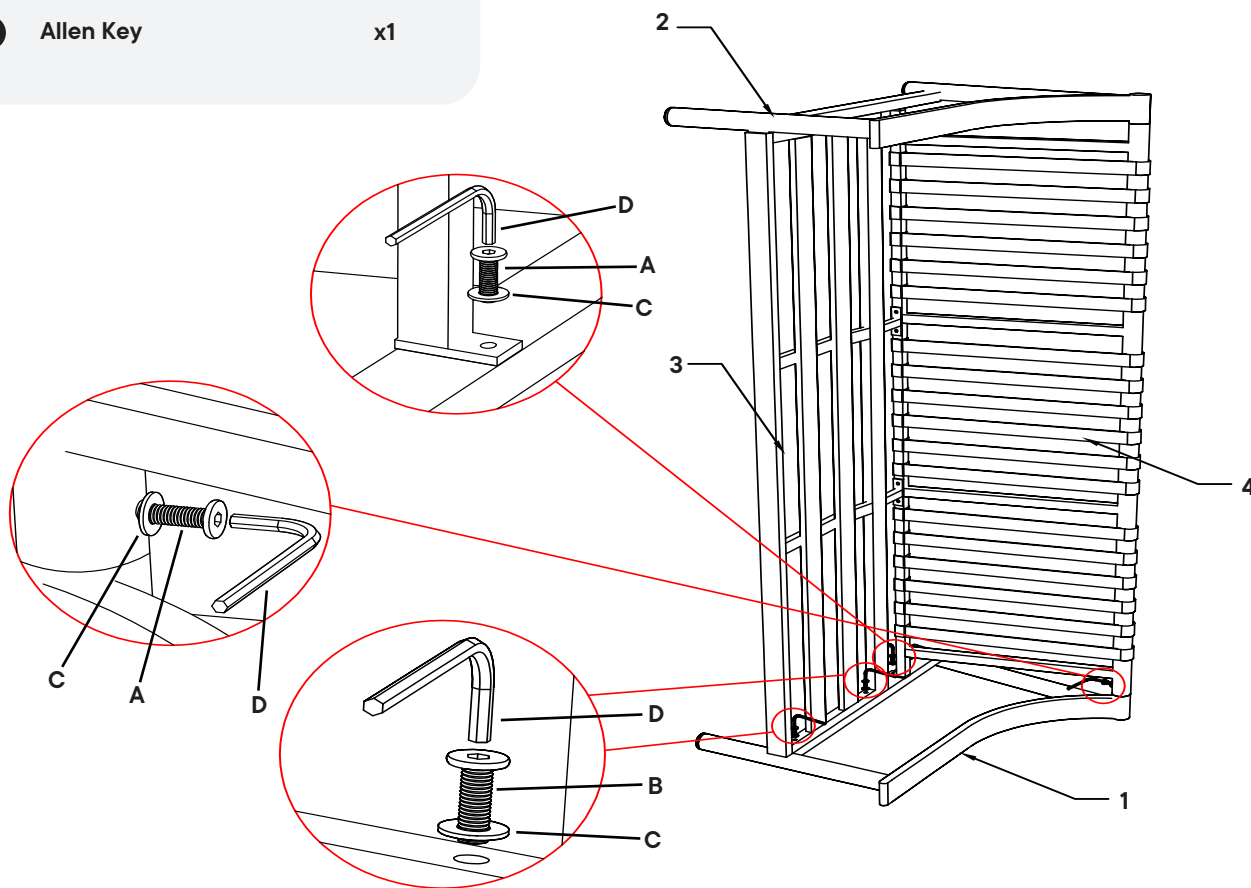
Step 3

COMPONENTS

1	Right Armrest	x1
2	Left Armrest	x1
3	Seat Plate	x1
4	Backrest	x1

HARDWARE

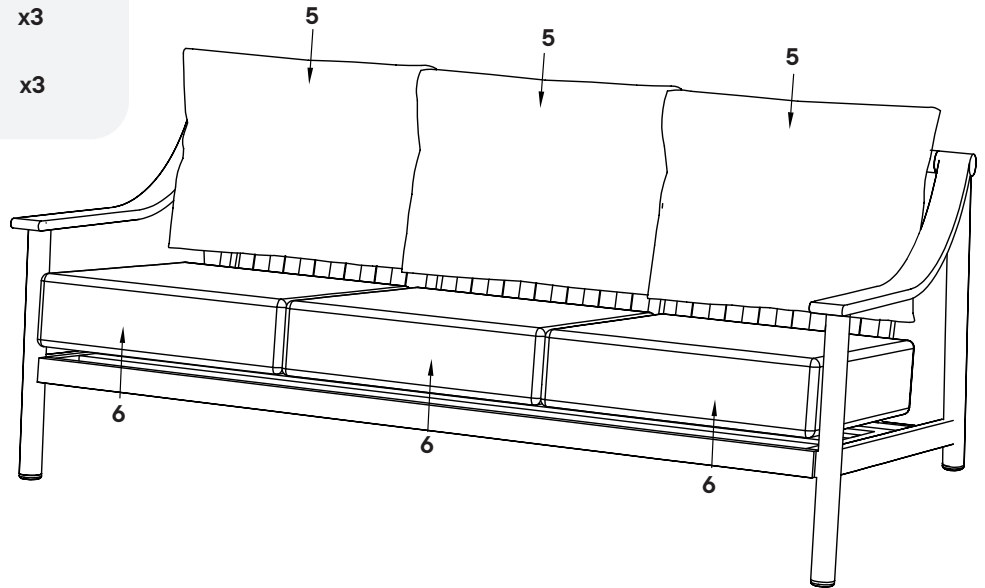
A	Cam Bolt M6 x 15mm	x2
B	Cam Bolt M6 x 35mm	x2
C	Flat Washer M6	x4
D	Allen Key	x1



Step 4

COMPONENTS

- 5 Back Cushion x3
- 6 Seat Cushion x3



Great job!

Your new sofa is complete.

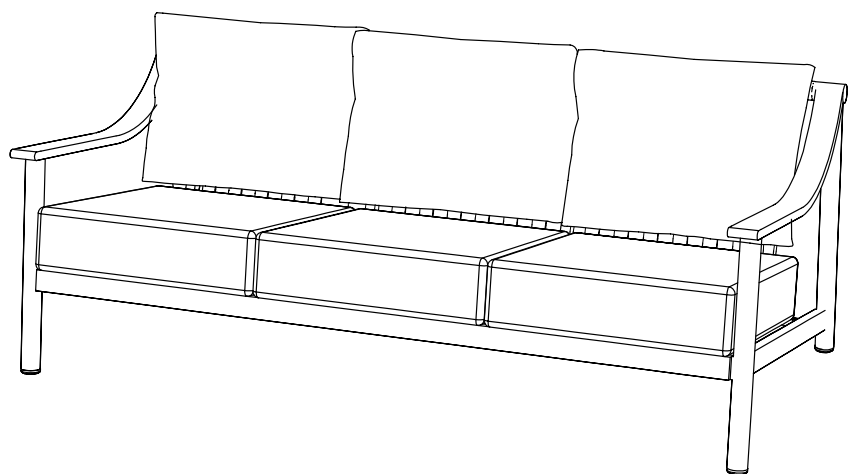
♥ CARING FOR YOUR ITEM

Indoor and outdoor use.

Not contract grade.

Spot clean using a non-abrasive cloth and a mild cleaner.

Never use harsh chemicals, as they could damage the finish or integrity of the item.



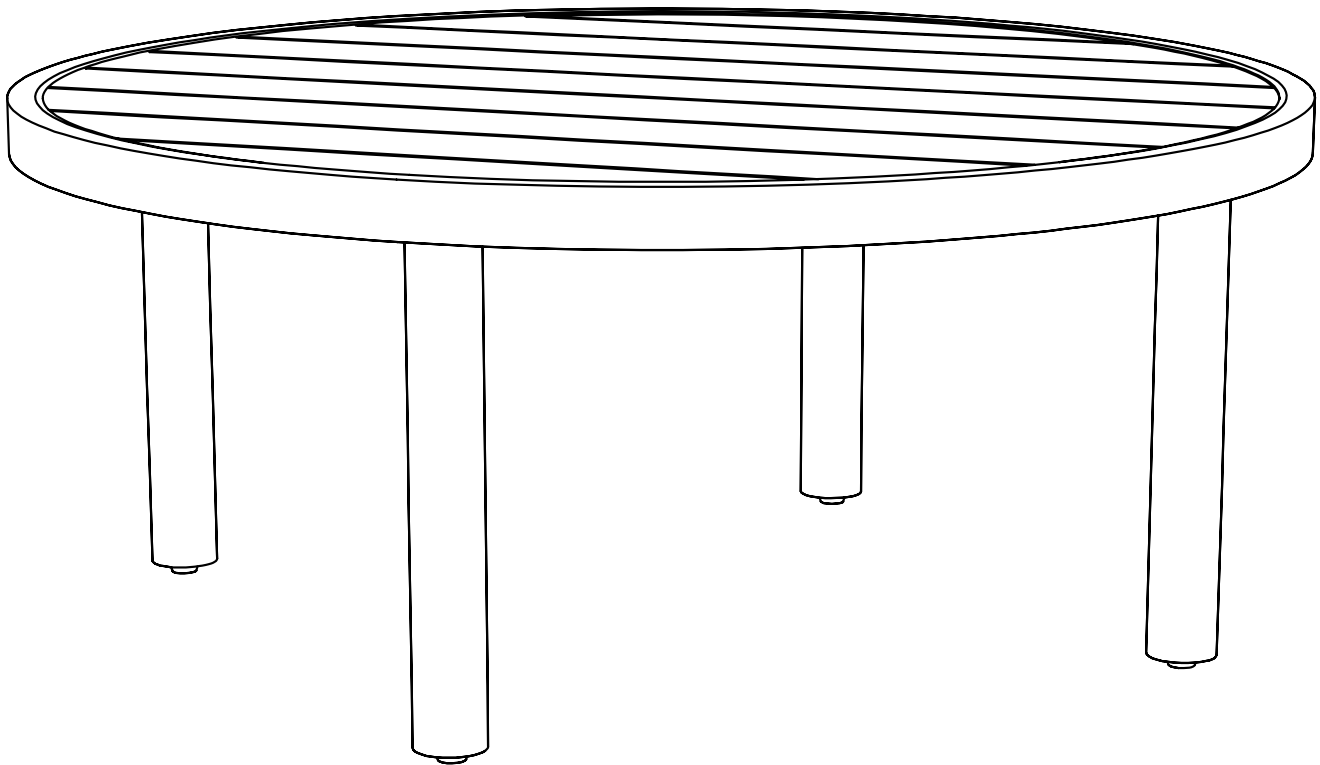
CONNECT WITH US!   

Tag us @modway_furniture and #modway for a chance to be featured.

ASSEMBLY INSTRUCTIONS

EEI-6978

V0.20.04.24



Questions? Contact us!

609.256.9000 • cs@modway.com
www.modway.com

***modway**

Let's get started!

*modway



Read through all of the instructions before starting



Care instructions are listed in the last step of this manual



Approx. 30 minutes assembly time



Make sure you have all parts and components before discarding any packing materials



1 people recommended for assembly

Only use hand tools to assemble this item. Do not use power tools. Do not tighten bolts or screws completely until all hardware is lined up and inserted into the holes.

Do not over-tighten screws and bolts to avoid stripping the hardware or cracking the item.

Assemble your item on a flat, carpeted area, with plenty of space to work. This will prevent damage and scratches to your floors or the item while you're assembling the product.

Keep all components and packaging out of reach of children or animals to avoid risk of choking or suffocation.

Furniture components:

1	Table Top	x1
---	-----------	----

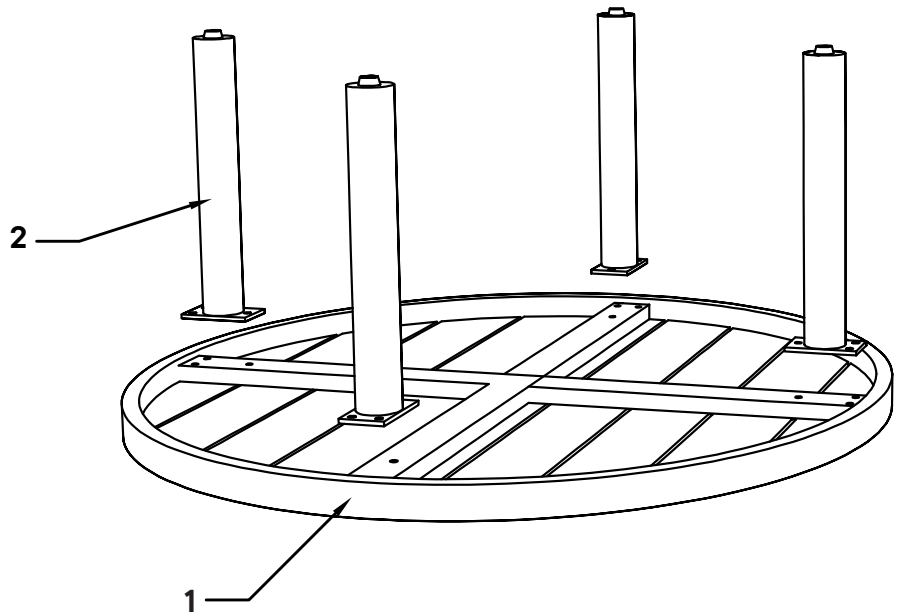
2	Table Leg	x4
---	-----------	----

Provided hardware:

A		Cam Bolt M6 x 20mm	x12
---	---	--------------------	-----

B		Flat Washer M6	x12
---	---	----------------	-----

C		Allen Key	x1
---	---	-----------	----



Wait!

Missing parts or hardware? Need assistance?

Contact us before returning your item. We're here to help!
609.256.9000 • cs@modway.com

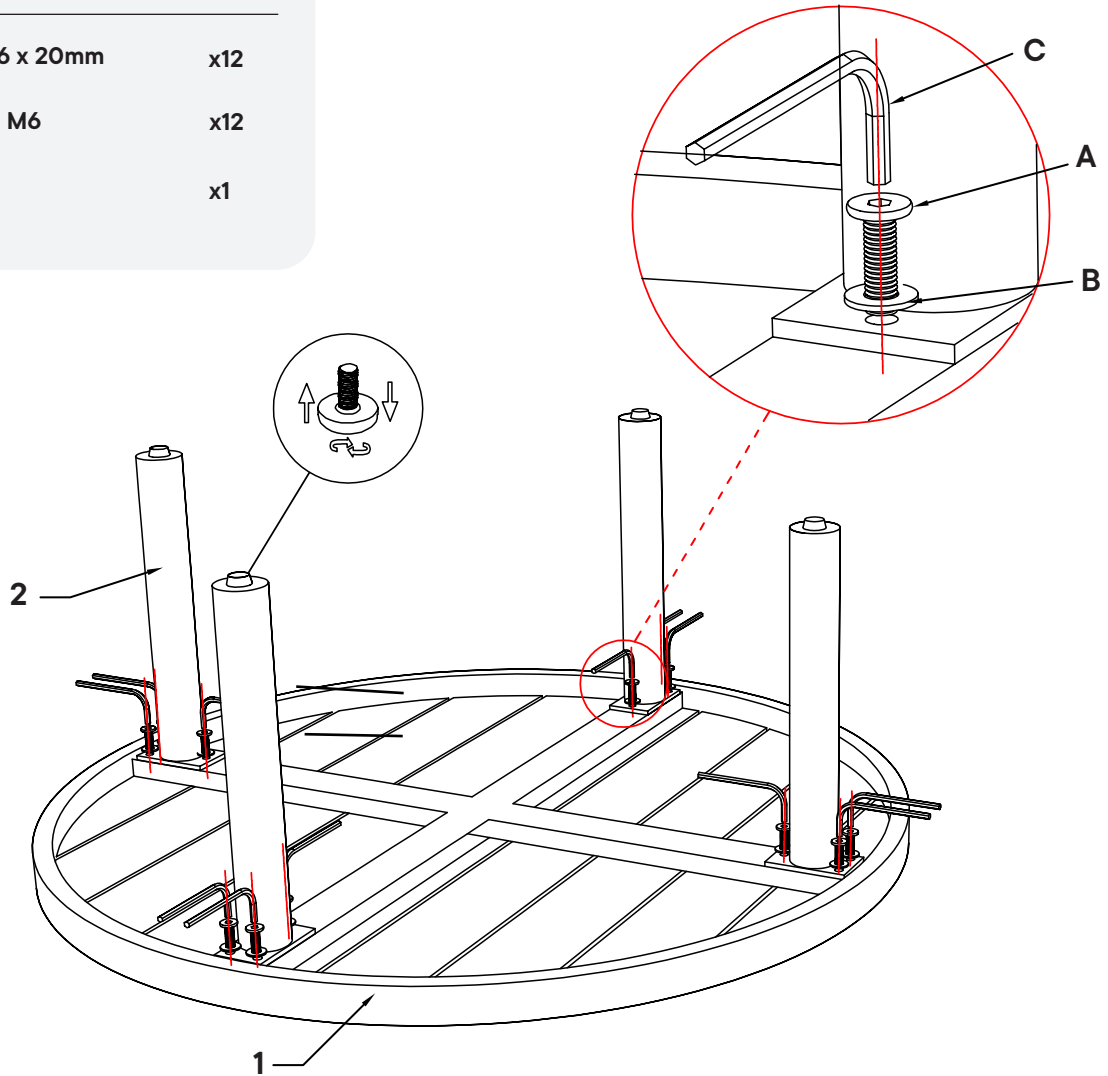
Step 1

COMPONENTS

- 1 Table Top x1
- 2 Table Leg x4

HARDWARE

- A Cam Bolt M6 x 20mm x12
- B Flat Washer M6 x12
- C Allen Key x1



Great job!

Your new table is complete.

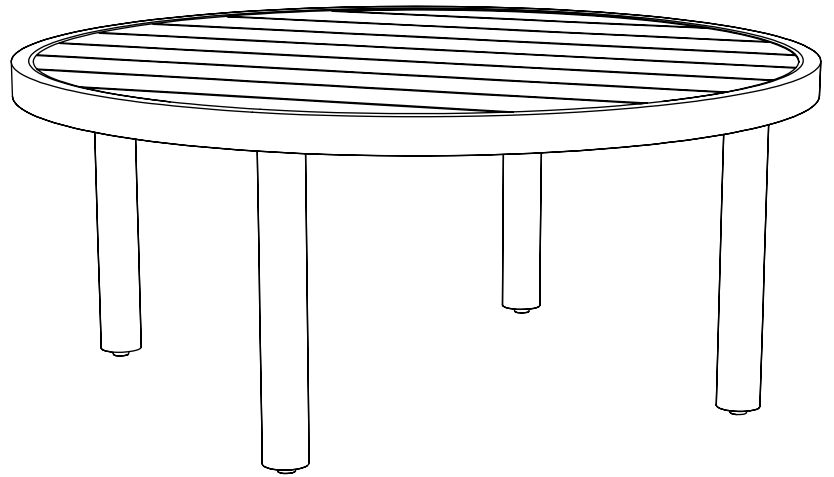
♥ CARING FOR YOUR ITEM

Indoor and outdoor use.

Not contract grade.

Spot clean using a non-abrasive cloth and a mild cleaner.

Never use harsh chemicals, as they could damage the finish or integrity of the item.



CONNECT WITH US!   

Tag us [@modway_furniture](#) and [#modway](#) for a chance to be featured.