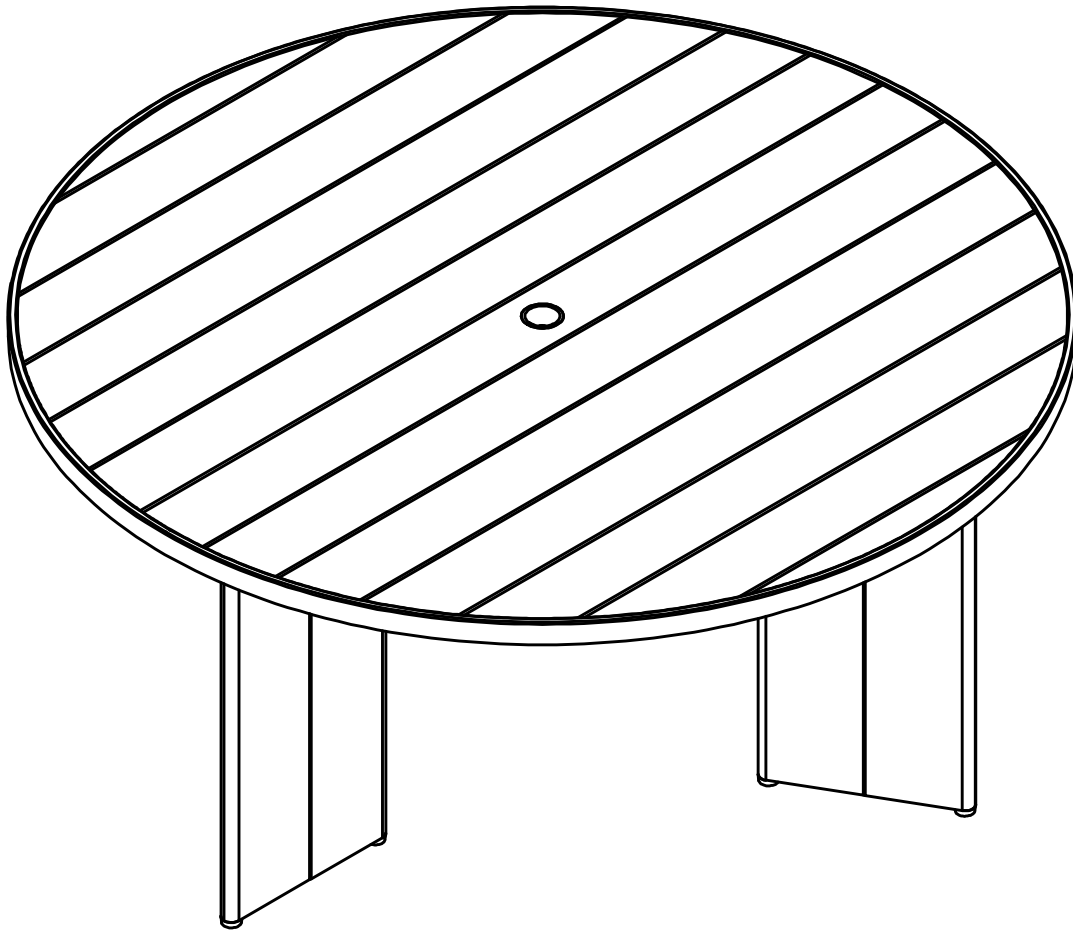


ASSEMBLY INSTRUCTIONS

EEI-7055

V0.05.27.25



Questions? Contact us!

609.256.9000 • cs@modway.com
www.modway.com

***modway**

Let's get started!

*modway



Read through all of the instructions before starting



Care instructions are listed in the last step of this manual



Approx. 30 minutes assembly time



Make sure you have all parts and components before discarding any packing materials



2 people recommended for assembly

Only use hand tools to assemble this item. Do not use power tools. Do not tighten bolts or screws completely until all hardware is lined up and inserted into the holes.

Do not over-tighten screws and bolts to avoid stripping the hardware or cracking the item.

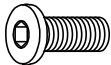



Assemble your item on a flat, carpeted area, with plenty of space to work. This will prevent damage and scratches to your floors or the item while you're assembling the product.

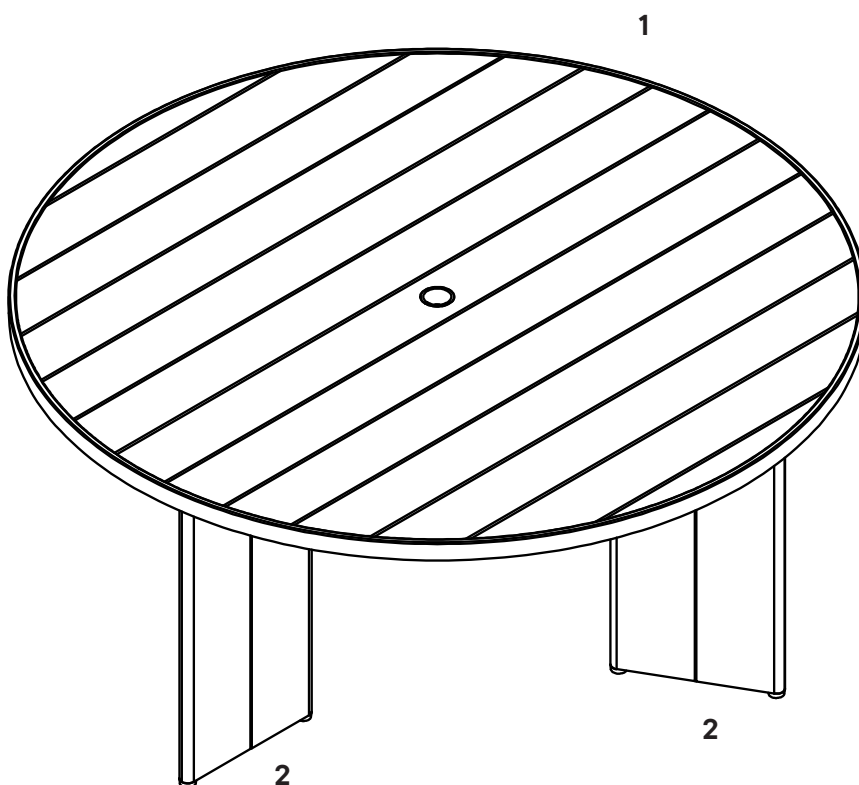
Keep all components and packaging out of reach of children or animals to avoid risk of choking or suffocation.

Furniture components:

| | | |
|---|-----------|----|
| 1 | Table Top | x1 |
| 2 | Leg | x3 |

Provided hardware:

| | | | |
|---|---|--------------------------|-----|
| A |  | JCBC Bolt M6 x 15mm | x12 |
| B |  | Flat Washer 16mm x 6.5mm | x12 |
| C |  | Cap Cover | x1 |
| D |  | Allen Key | x1 |



Wait!

Missing parts or hardware? Need assistance?

Contact us before returning your item. We're here to help!
609.256.9000 • cs@modway.com

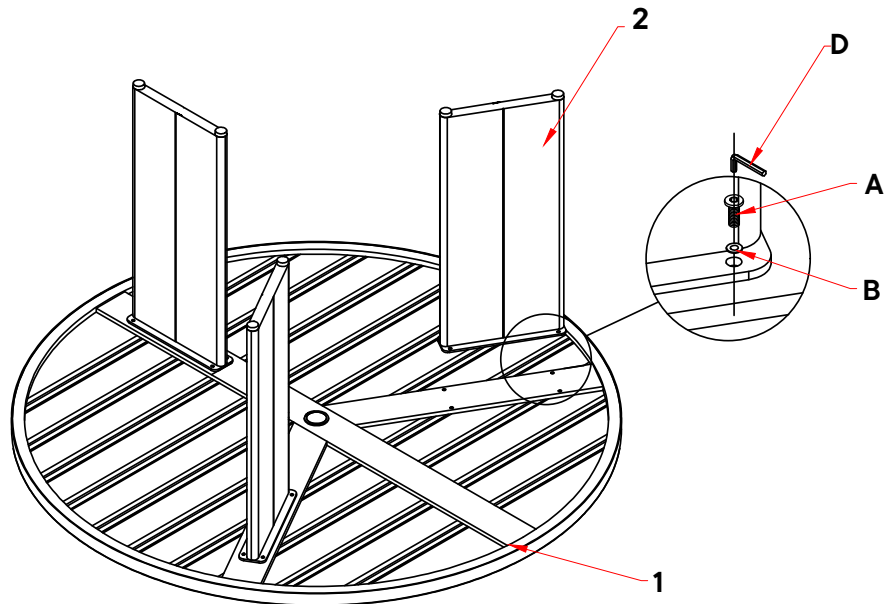
Step 1

COMPONENTS

- 1 Table Top x1
- 2 Leg x3

HARDWARE

- A JCBC Bolt M6 x 15mm Flat x12
- B Washer 16mm x 6.5mm x12
- D Allen Key 4mm x1

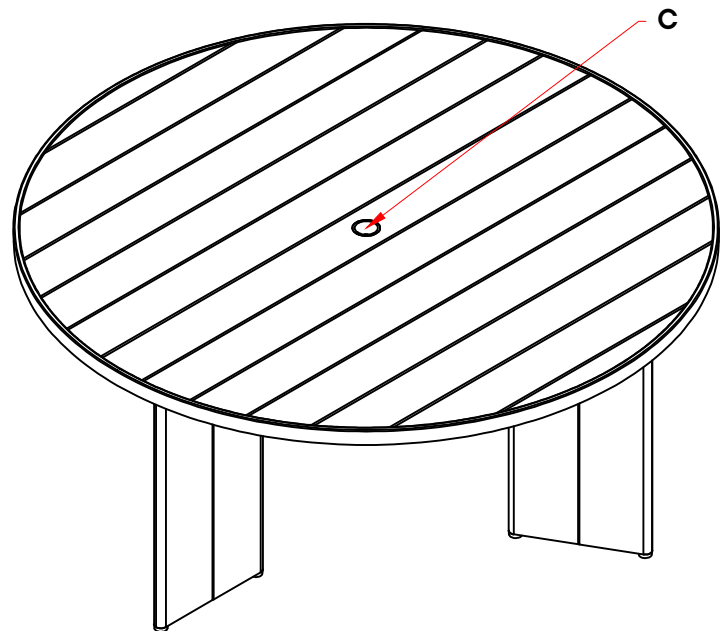


Note : First, assemble all the components, then securely tighten all the screws.

Step 2

HARDWARE

- C Cap Cover x1



Great job!

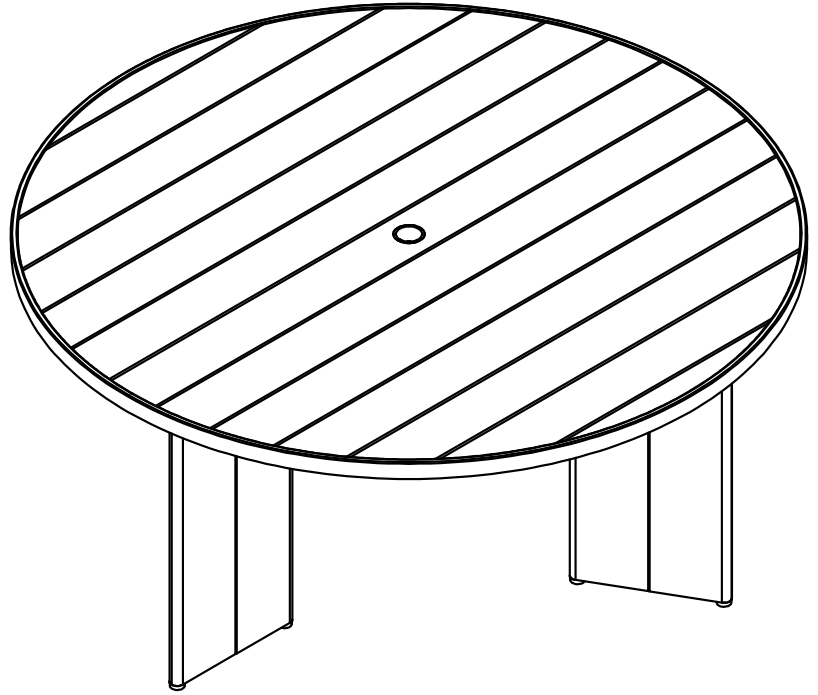
Your new table is complete.

♥ CARING FOR YOUR ITEM

Depending on use, it may be necessary to tighten the hardware from time to time, so please save the tools that have been provided.

Not contract grade.

Clean using a non-abrasive cloth and a mild cleaner.



CONNECT WITH US!   

Tag us @modway_furniture and #modway for a chance to be featured.