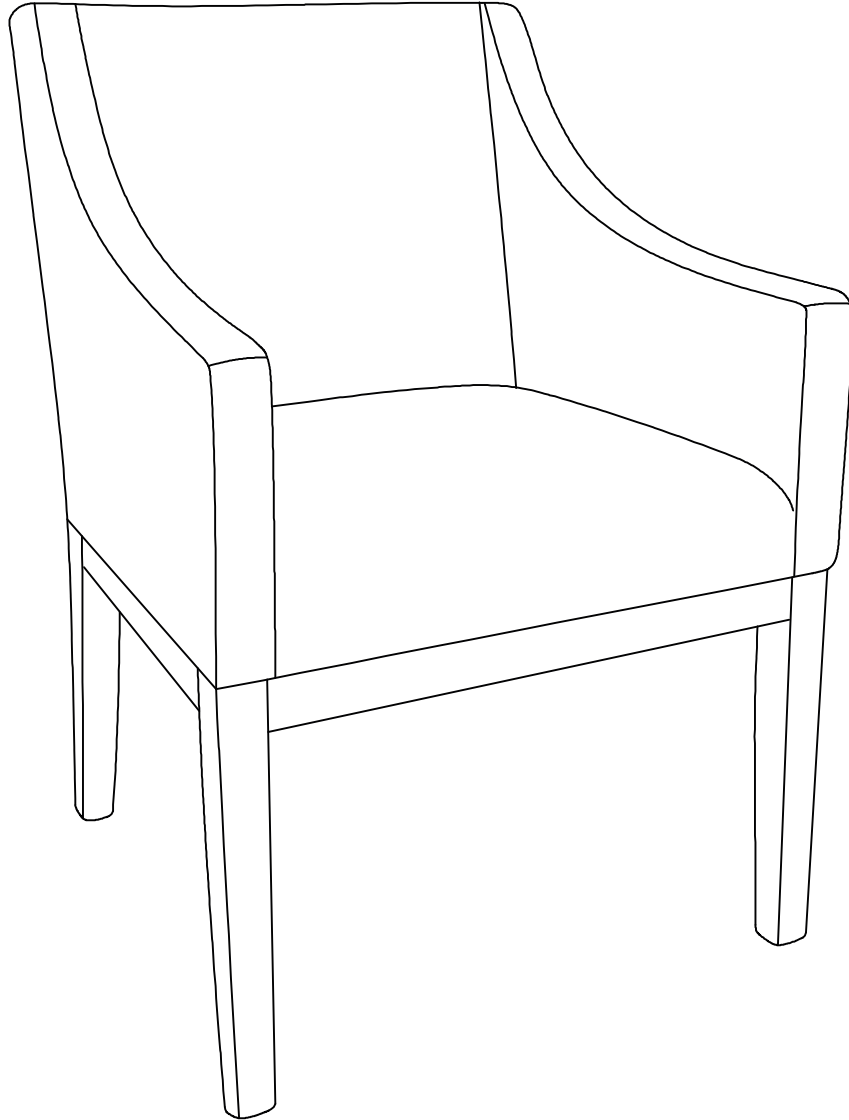


# ASSEMBLY INSTRUCTIONS

# EEI-7058

V0.02.10.24



**Questions? Contact us!**

609.256.9000 • [cs@modway.com](mailto:cs@modway.com)  
[www.modway.com](http://www.modway.com)

**\*modway**



Read through all of the instructions before starting



Care instructions are listed in the last step of this manual



Approx. 30 minutes assembly time



Make sure you have all parts and components before discarding any packing materials



2 people recommended for assembly

**Only use hand tools to assemble this item.** Do not use power tools. Do not tighten bolts or screws completely until all hardware is lined up and inserted into the holes.

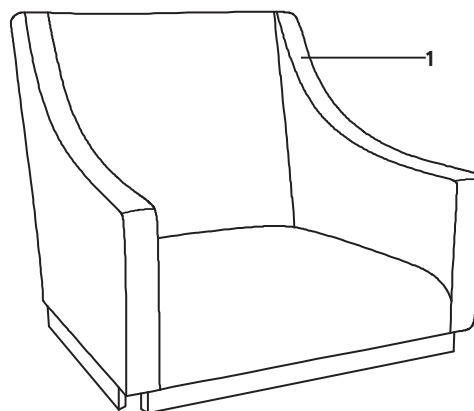
Do not over-tighten screws and bolts to avoid stripping the hardware or cracking the item.

Assemble your item on a flat, carpeted area, with plenty of space to work. This will prevent damage and scratches to your floors or the item while you're assembling the product.

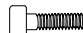



Keep all components and packaging out of reach of children or animals to avoid risk of choking or suffocation.

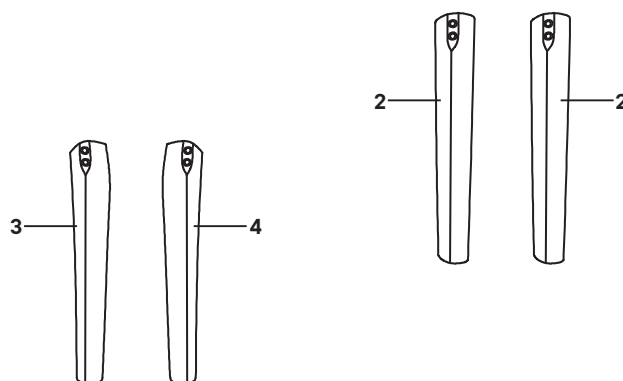
## Furniture components:

1	Seat	x1
2	Front legs	x2
3	Right back leg	x1
4	Left back leg	x1



## Provided hardware:

A		Bolt M8x60mm	x8
B		Flat washer	x8
C		Spring washer	x8
D		Allen key	x1



**Wait!**

**Missing parts or hardware? Need assistance?**

Contact us before returning your item. We're here to help!

609.256.9000 • [cs@modway.com](mailto:cs@modway.com)

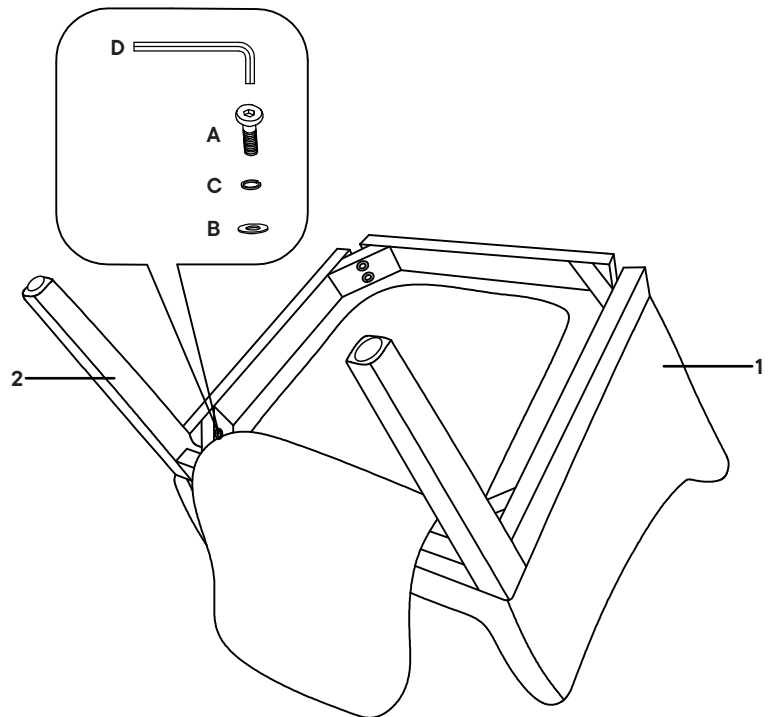
# Step 1

## HARDWARE

- |          |                 |    |
|----------|-----------------|----|
| <b>A</b> | Bolt M8 x 60 mm | x4 |
| <b>B</b> | Flat Washer     | x4 |
| <b>C</b> | Spring washer   | x4 |
| <b>D</b> | Allen Key       | x1 |

## COMPONENTS

- |          |            |    |
|----------|------------|----|
| <b>1</b> | Seat       | x1 |
| <b>2</b> | Front legs | x2 |



**Note :** Do not fully tighten the bolts. Tighten each bolt to about 90% of its maximum tension.

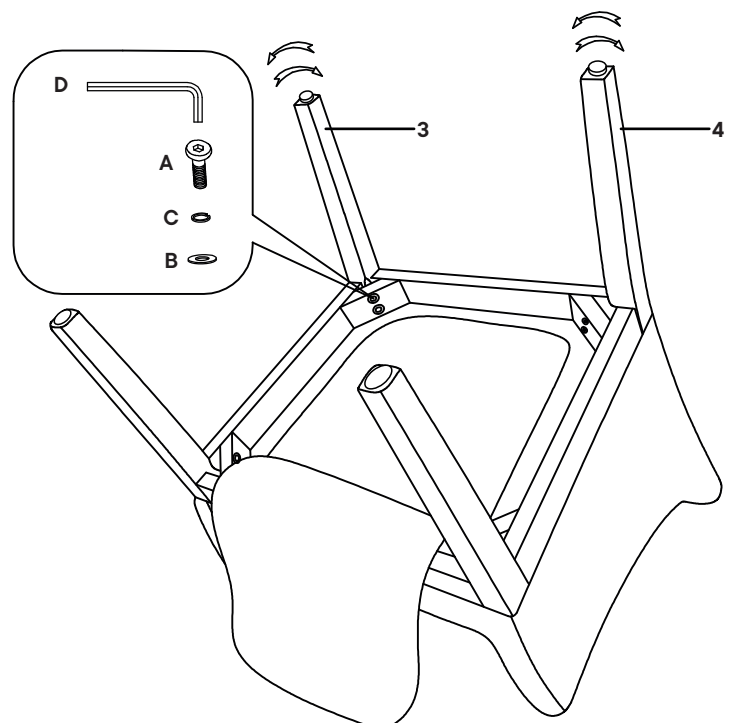
# Step 2

## HARDWARE

- |          |                 |    |
|----------|-----------------|----|
| <b>A</b> | Bolt M8 x 60 mm | x4 |
| <b>B</b> | Flat Washer     | x4 |
| <b>C</b> | Spring washer   | x4 |
| <b>D</b> | Allen Key       | x1 |

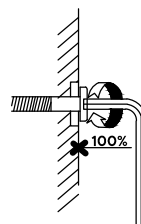
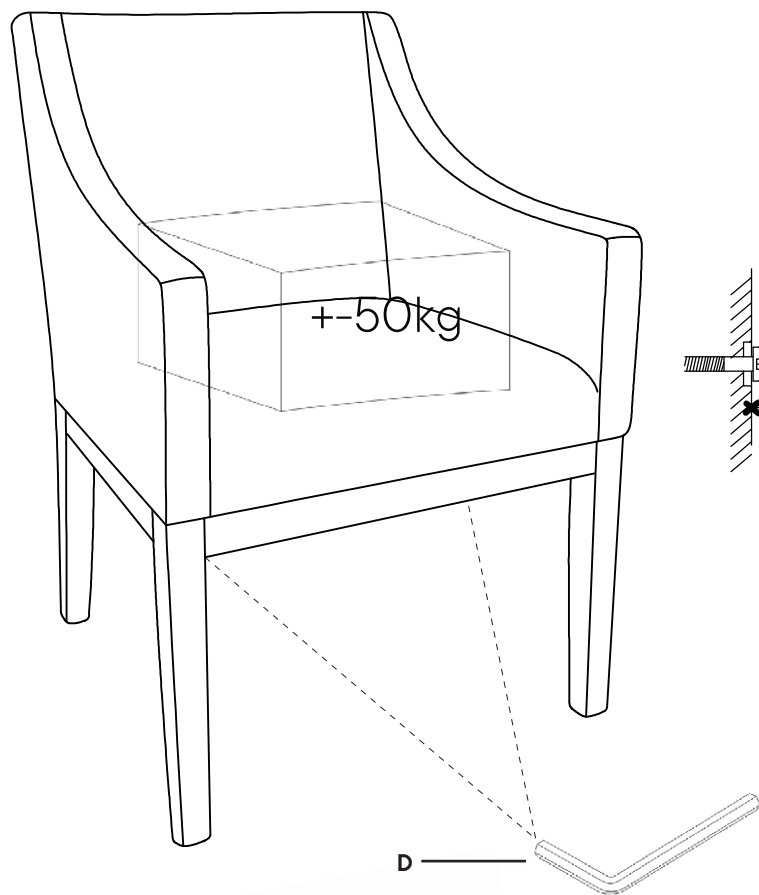
## COMPONENTS

- |          |                |    |
|----------|----------------|----|
| <b>3</b> | Right back leg | x1 |
| <b>4</b> | Left back leg  | x1 |

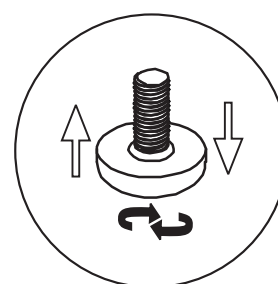
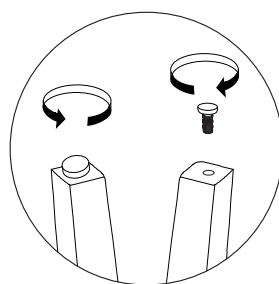


**Note :** Do not fully tighten the bolts. Tighten each bolt to about 90% of its maximum tension.

# Step 3



To ensure the chair is level, either place a heavy object weighing around 50kg on it or ask an adult to sit on the seat while you use the Allen key to tighten all bolts securely.



Notes: If there is un-stable, it may be caused by an uneven floor, which can be adjusted by leveller .

# Great job!

Your chair assembly is complete

## ♥ CARING FOR YOUR ITEM

Indoor use only

Not contract grade.

Clean using a non-abrasive cloth and a mild cleaner.

Never use harsh chemicals, as they could damage the finish or integrity of the item.

CONNECT WITH US!   

Tag us [@modway\\_furniture](#) and [#modway](#) for a chance to be featured.

