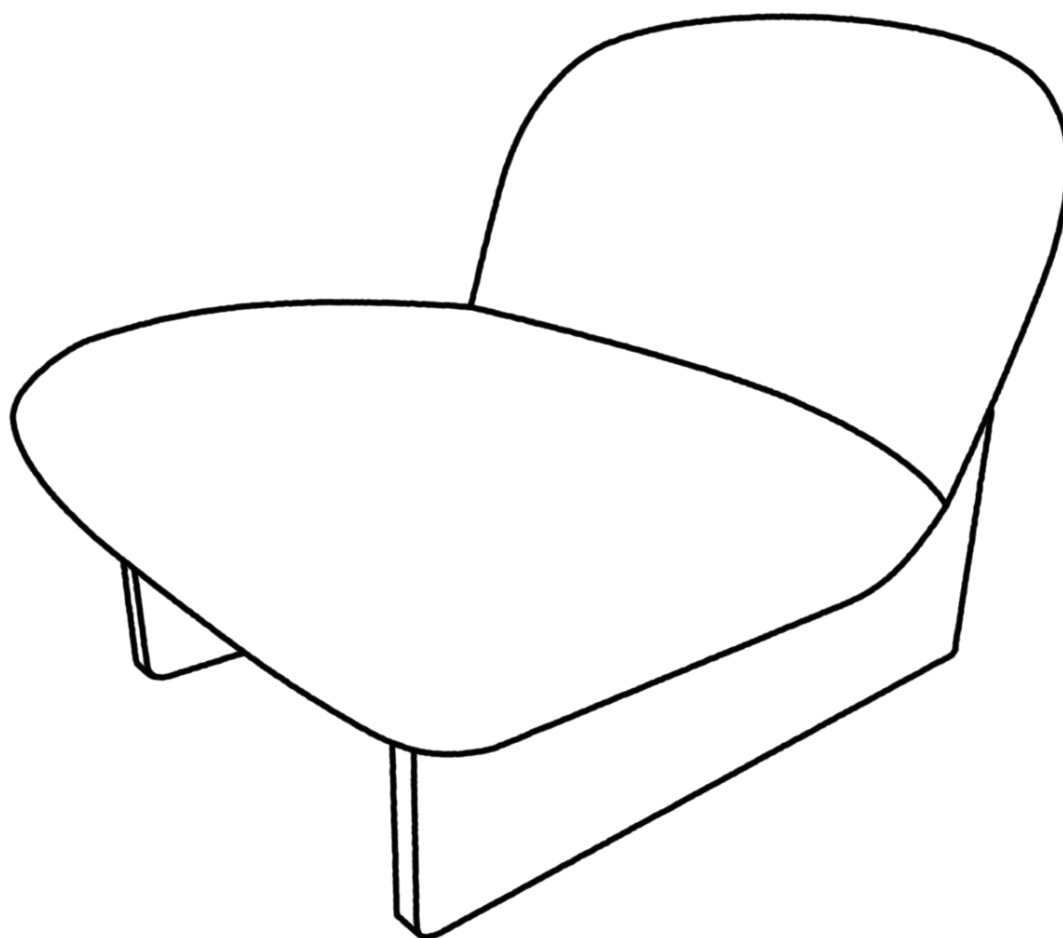


ASSEMBLY INSTRUCTIONS

EEI-6988

V1.01.05.24



Questions? Contact us!

609.256.9000 • cs@modway.com
www.modway.com

*modway

Let's get started!

*modway



Read through all of the instructions before starting



Care instructions are listed in the last step of this manual



Approx. 30 minutes assembly time



Make sure you have all parts and components before discarding any packing materials



2 people recommended for assembly

Only use hand tools to assemble this item. Do not use power tools. Do not tighten bolts or screws completely until all hardware is lined up and inserted into the holes.

Do not over-tighten screws and bolts to avoid stripping the hardware or cracking the item.

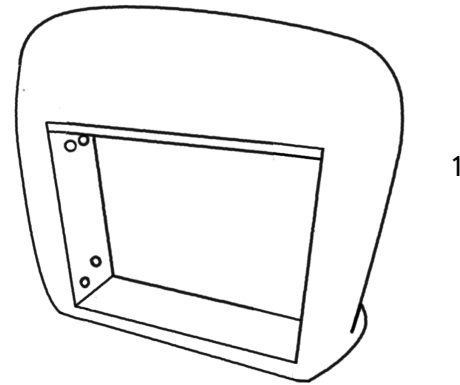
Assemble your item on a flat, carpeted area, with plenty of space to work. This will prevent damage and scratches to your floors or the item while you're assembling the product.

Keep all components and packaging out of reach of children or animals to avoid risk of choking or suffocation.

Furniture components:

1	Chair Body	x1
---	------------	----

2	Chair Leg	x2
---	-----------	----



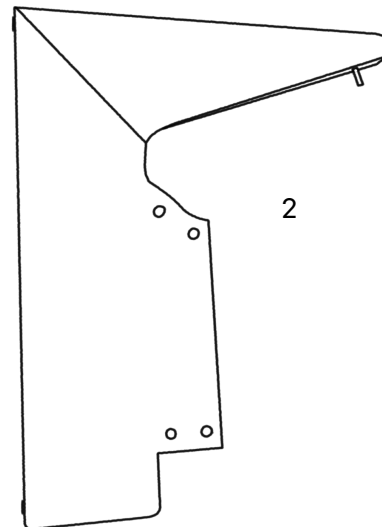
Provided hardware:

A		Bolt M8 x 65mm	x8
---	--	----------------	----

B		Spring Washer	x8
---	--	---------------	----

C		Flat Washer	x8
---	--	-------------	----

D		Allen Wrench	x1
---	--	--------------	----



Wait!

Missing parts or hardware? Need assistance?
Contact us before returning your item. We're here to help!
609.256.9000 • cs@modway.com

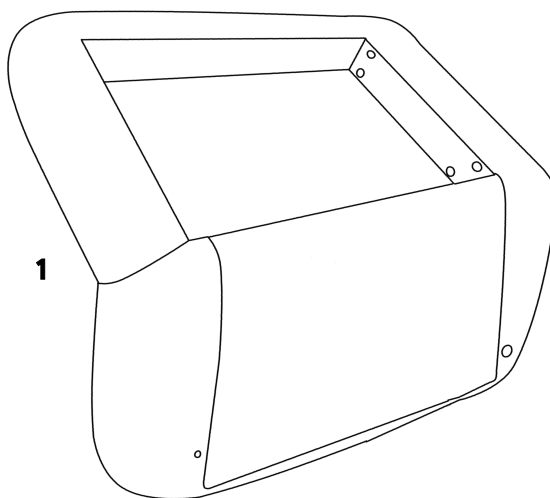
Step 1

COMPONENTS

- | | | |
|---|------------|----|
| 1 | Chair Body | x1 |
| 2 | Chair Leg | x2 |

HARDWARE

- | | | |
|---|----------------|----|
| A | Bolt M8 x 65mm | x8 |
| B | Spring Washer | x8 |
| C | Flat Washer | x8 |
| D | Allen Wrench | x1 |



Unzip the bottom cover show

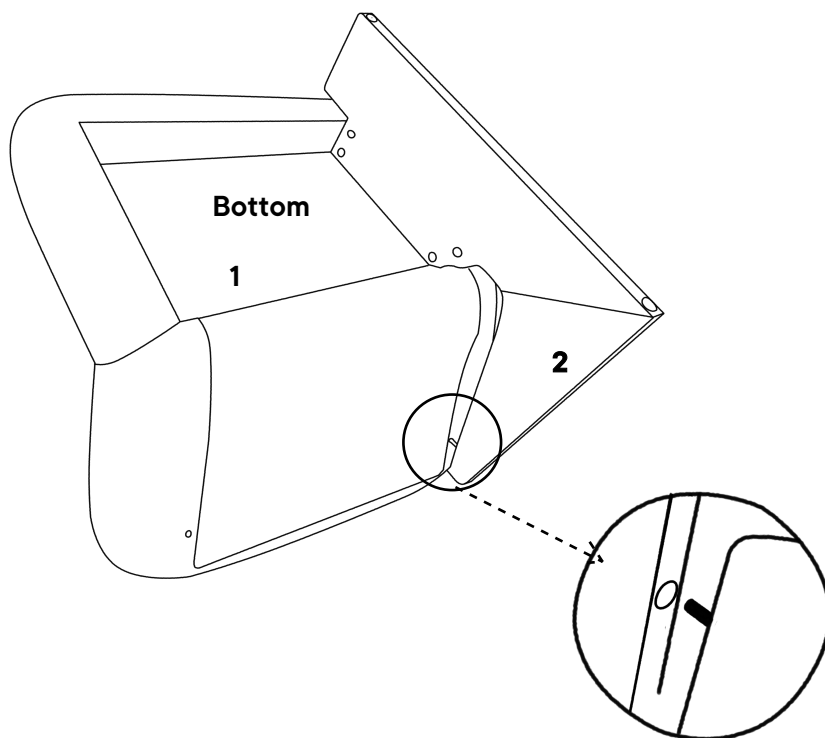
Step 2

COMPONENTS

- | | | |
|---|------------|----|
| 1 | Chair Body | x1 |
| 2 | Chair Leg | x2 |

HARDWARE

- | | | |
|---|----------------|----|
| A | Bolt M8 x 65mm | x8 |
| B | Spring Washer | x8 |
| C | Flat Washer | x8 |
| D | Allen Wrench | x1 |



Attach one side of the legs and insert the preattached bolt as shown.

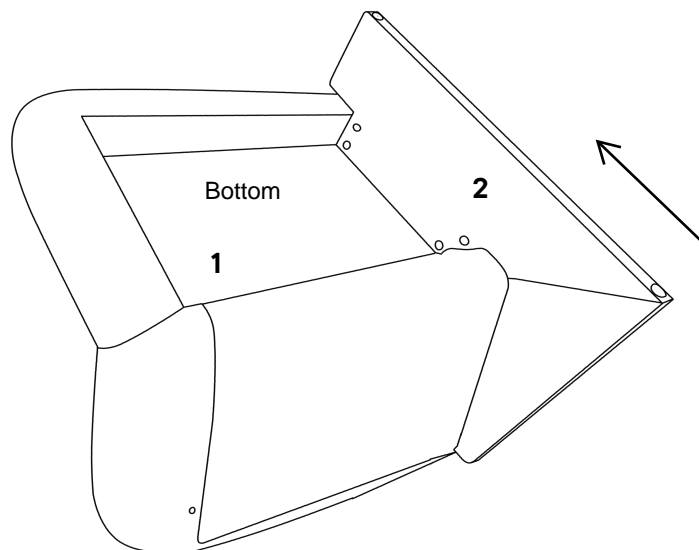
Step 3

COMPONENTS

1	Chair Body	x1
2	Chair Leg	x2

HARDWARE

A	Bolt M8 x 65mm	x8
B	Spring Washer	x8
C	Flat Washer	x8
D	Allen Wrench	x1



Push the leg until there is no space between the chair body and the leg.

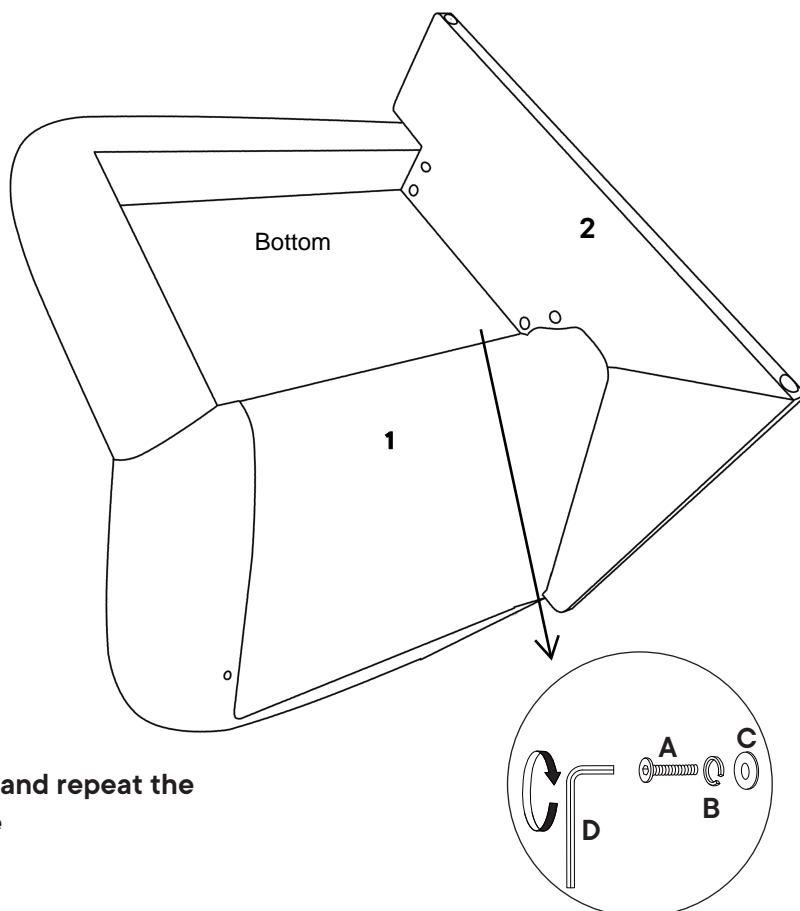
Step 4

COMPONENTS

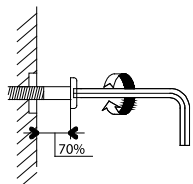
1	Chair Body	x1
2	Chair Leg	x2

HARDWARE

A	Bolt M8 x 65mm	x8
B	Spring Washer	x8
C	Flat Washer	x8
D	Allen Wrench	x1

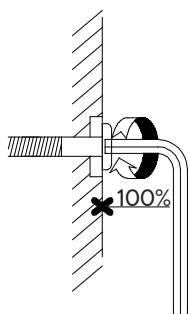
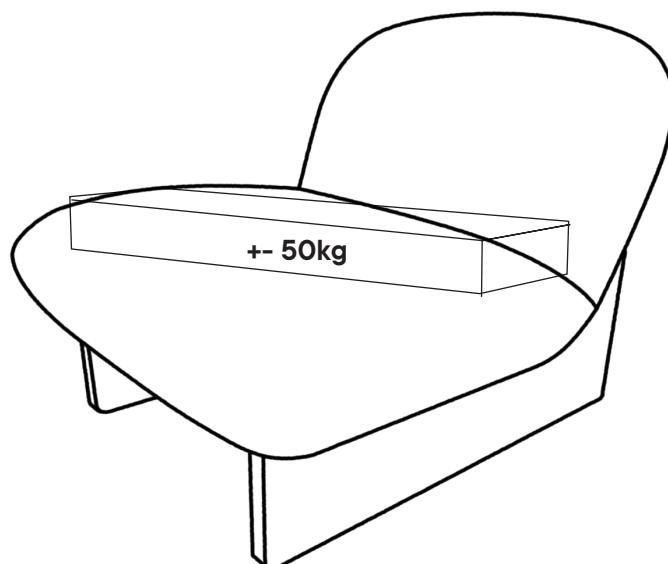


Attach bolts clockwise and repeat the steps for the other side



NOTE : Do not fully tighten the bolt

Step 5



NOTE: To assist with leveling the chair, place a heavy object or have an adult sit on the Chair Body(1) to pressure it for leveling and fully tighten all bolts with Allen Wrench (D) to secure all legs.

Close the zipper on the bottom of the Chair Body (1).
Carefully turn over the assembled Chair Body (1) by two adults to avoid leg crack.

Great job!

Your chair is complete and ready to enjoy.

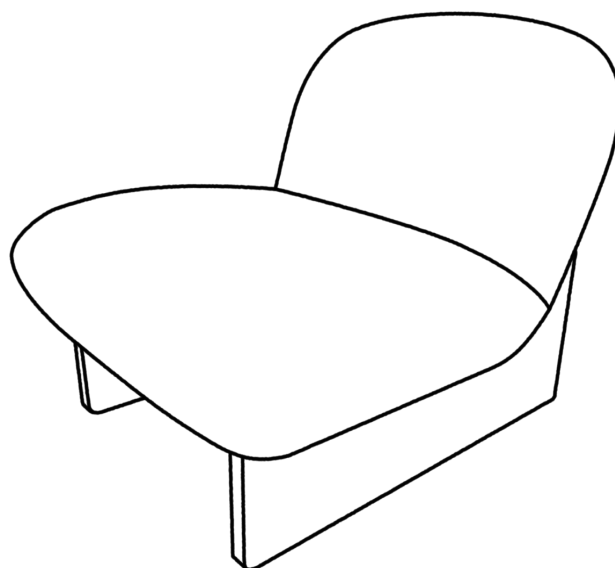
♥ CARING FOR YOUR ITEM

Indoor use only.

Not contract grade.

Clean using a non-abrasive cloth and a mild cleaner.

Never use harsh chemicals, as they could damage the finish or integrity of the item.



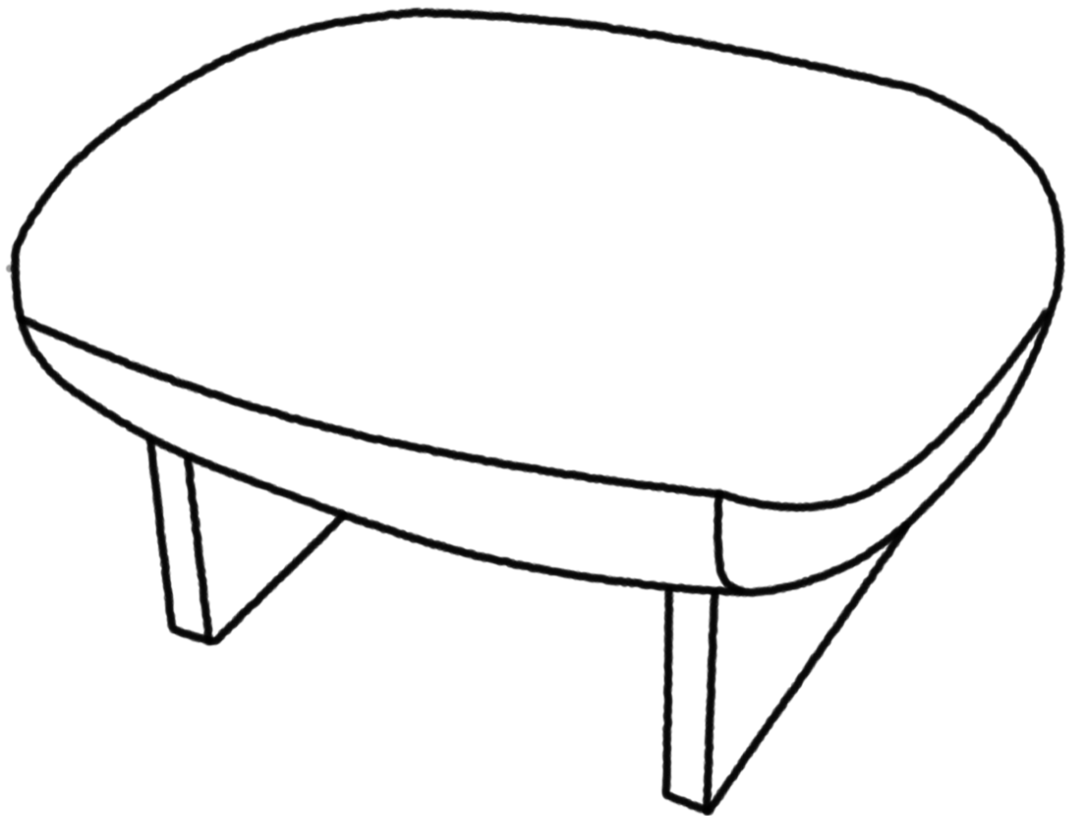
CONNECT WITH US!   

Tag us [@modway_furniture](#) and [#modway](#) for a chance to be featured.

ASSEMBLY INSTRUCTIONS

EEI-6988

V1.01.05.24



Questions? Contact us!

609.256.9000 • cs@modway.com
www.modway.com

*modway

Let's get started!

*modway



Read through all of the instructions before starting



Care instructions are listed in the last step of this manual



Approx. 30 minutes assembly time



Make sure you have all parts and components before discarding any packing materials



2 people recommended for assembly

Only use hand tools to assemble this item. Do not use power tools. Do not tighten bolts or screws completely until all hardware is lined up and inserted into the holes.

Do not over-tighten screws and bolts to avoid stripping the hardware or cracking the item.

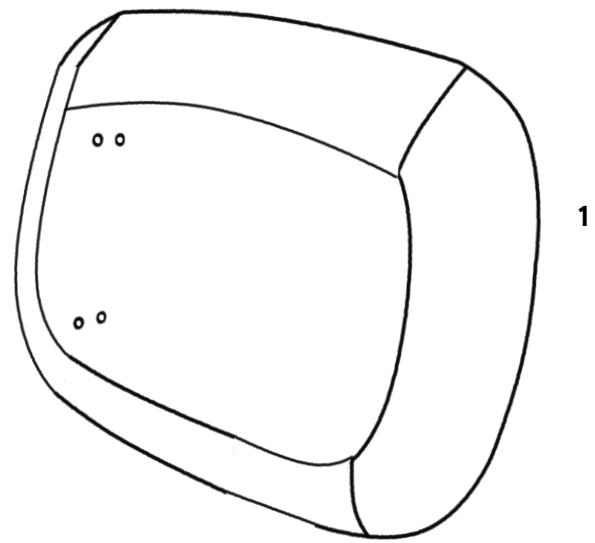
Assemble your item on a flat, carpeted area, with plenty of space to work. This will prevent damage and scratches to your floors or the item while you're assembling the product.

Keep all components and packaging out of reach of children or animals to avoid risk of choking or suffocation.

Furniture components:


1	Ottoman Body	x1
---	--------------	----

2	Ottoman Leg	x2
---	-------------	----



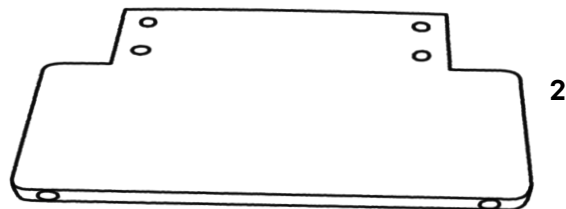
Provided hardware:

A	 Bolt M8 x 65mm	x8
---	--	----

B	 Spring Washer	x8
---	---	----

C	 Flat Washer	x8
---	---	----

D	 Allen Wrench	x1
---	--	----



Wait!

Missing parts or hardware? Need assistance?
Contact us before returning your item. We're here to help!
609.256.9000 • cs@modway.com

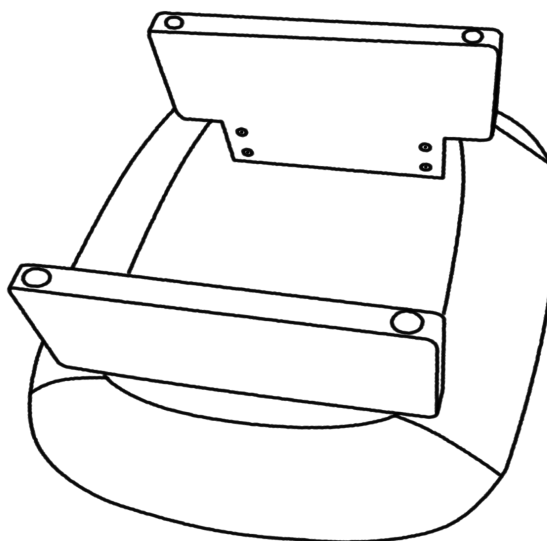
Step 1

COMPONENTS

- 1 Ottoman Body x1
- 2 Ottoman Leg x2

HARDWARE

- A Bolt M8 x 65mm x8
- B Spring Washer x8
- C Flat Washer x8
- D Allen Wrench x1



Unzip the bottom cover and locate the Ottoman Leg + Hardware package.

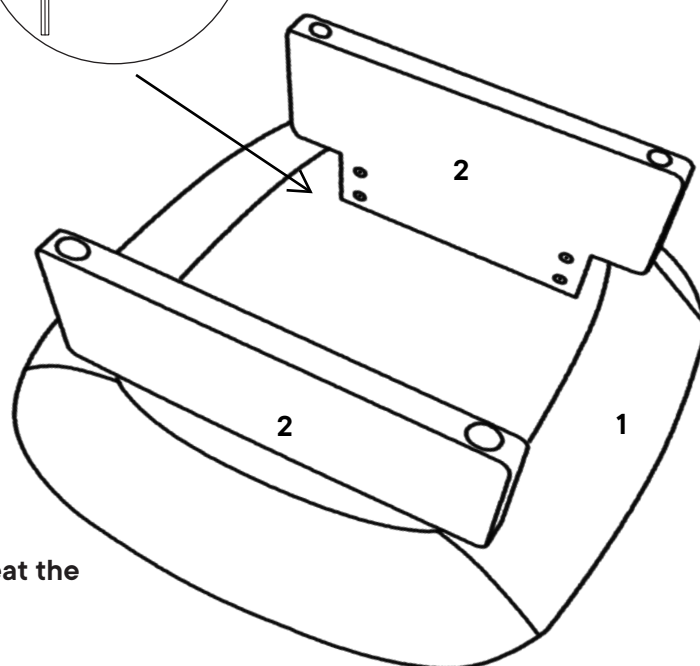
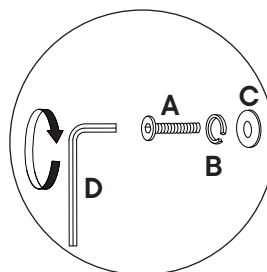
Step 2

COMPONENTS

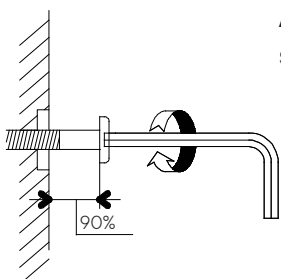
- 1 Ottoman Body x1
- 2 Ottoman Leg x2

HARDWARE

- A Bolt M8 x 65mm x8
- B Spring Washer x8
- C Flat Washer x8
- D Allen Wrench x1

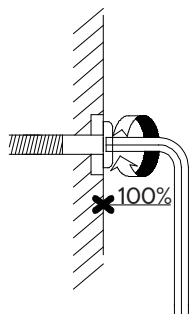
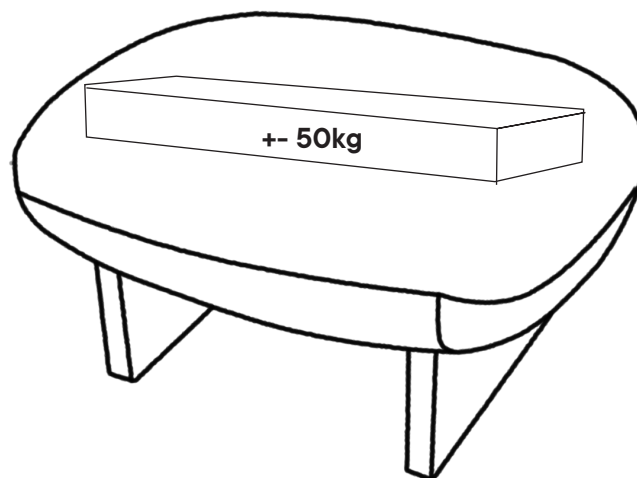


Attach bolts clockwise and repeat the steps for the other side



NOTE : Do not fully tighten the bolt

Step 3



NOTE: To assist with leveling the bench, place a heavy object or have an adult sit on the Ottoman Body(1) to pressure it for leveling and fully tighten all bolts with Allen Wrench (D) to secure all legs.

Close the zipper on the bottom of the Ottoman Body (1).
Carefully turn over the assembled Ottoman Body (1) by two adults to avoid leg crack

Great job!

Your ottoman is complete and ready to enjoy.

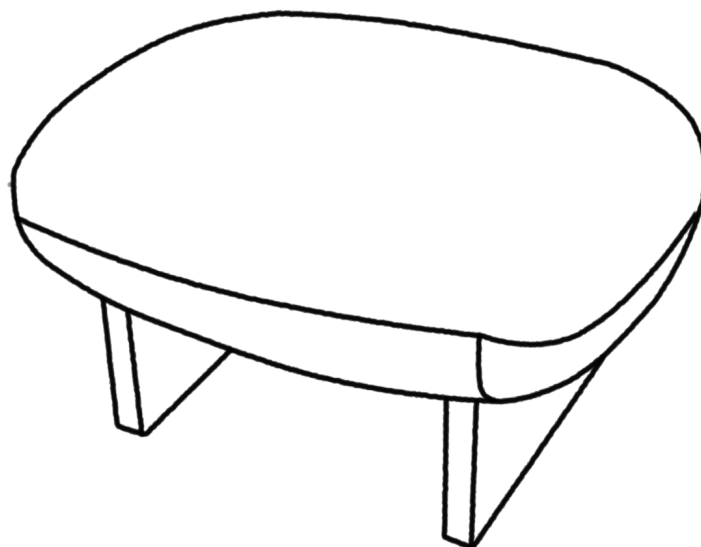
♥ CARING FOR YOUR ITEM

Indoor use only.

Not contract grade.

Clean using a non-abrasive cloth and a mild cleaner.

Never use harsh chemicals, as they could damage the finish or integrity of the item.



CONNECT WITH US!   

Tag us @modway_furniture and #modway for a chance to be featured.