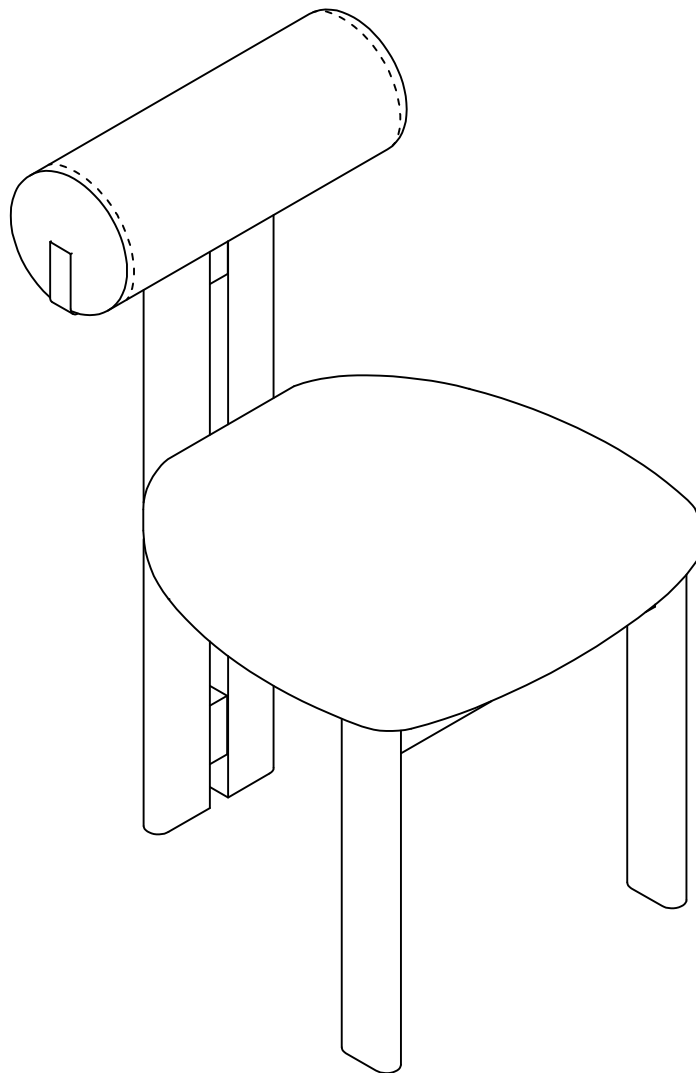


ASSEMBLY INSTRUCTIONS

EEI-6960

V0.03.22.23



Questions? Contact us!

609.256.9000 · cs@modway.com
www.modway.com

*modway

Let's get started!

*modway



Read through all of the instructions before starting



Care instructions are listed in the last step of this manual



Approx. 30 minutes assembly time



Make sure you have all parts and components before discarding any packing materials



2 people recommended for assembly

Only use hand tools to assemble this item. Do not use power tools. Do not tighten bolts or screws completely until all hardware is lined up and inserted into the holes.

Do not over-tighten screws and bolts to avoid stripping the hardware or cracking the item.

Assemble your item on a flat, carpeted area, with plenty of space to work. This will prevent damage and scratches to your floors or the item while you're assembling the product.

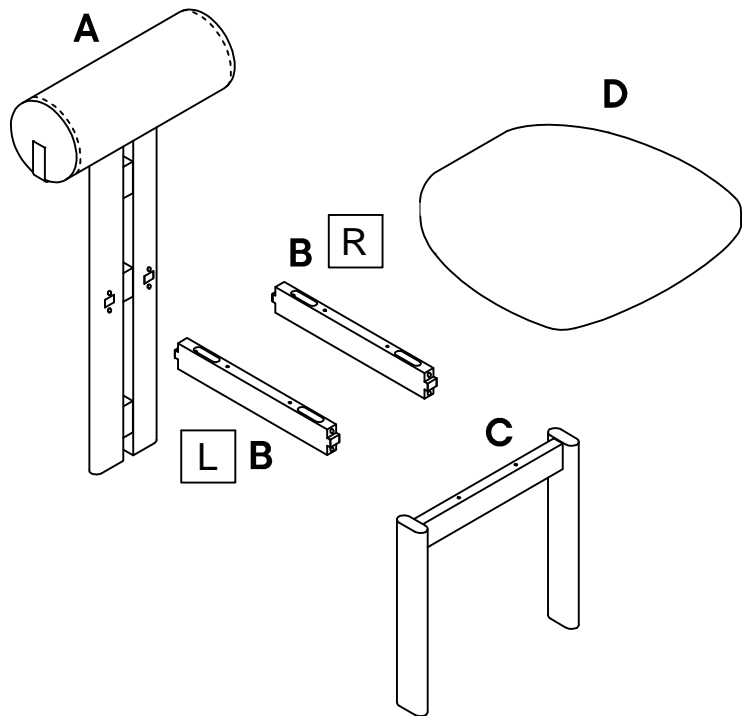
Keep all components and packaging out of reach of children or animals to avoid risk of choking or suffocation.

Furniture components:

A	Back	x1
B	Center Wood	x2
C	Leg Front	x1
D	Cushion	x1

Provided hardware:

1	 JCBC M6 x 50mm	x8
2	 C95 Nylon Washer (Black)	x8
3	 Wood Screw M4 X 35mm	x6
4	 M4 Allen Key	x1



What you need:



Phillips Head Screwdriver

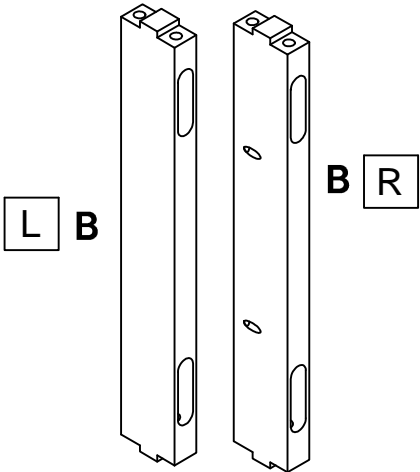
Wait!

Missing parts or hardware? Need assistance?
Contact us before returning your item. We're here to help!
609.256.9000 - cs@modway.com

Step 1

COMPONENT

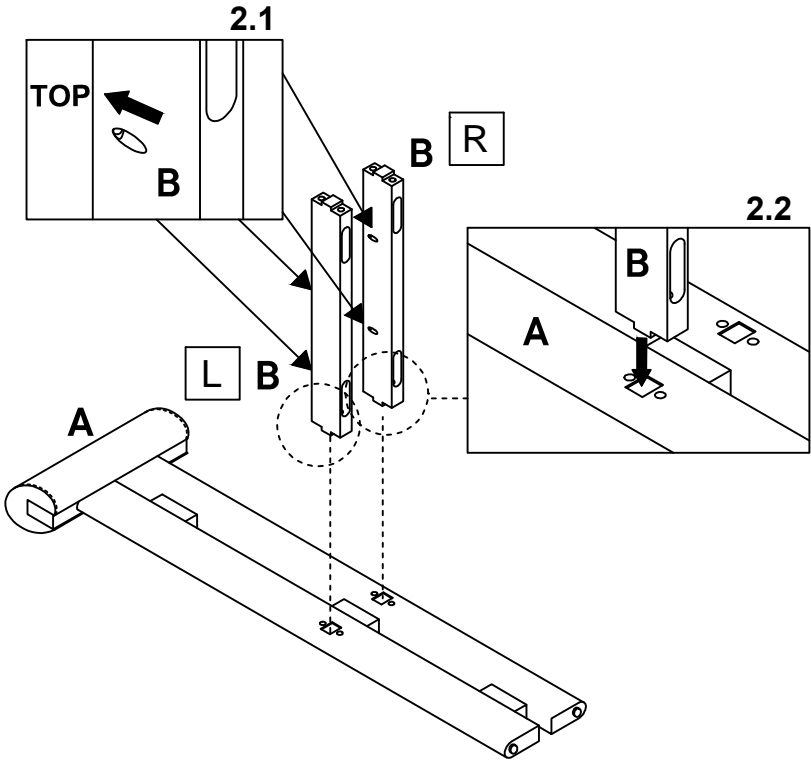
- B** Center Wood x2



Step 2

COMPONENT

- A** Back x1
- B** Center Wood x2



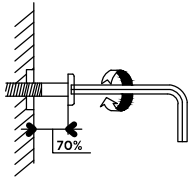
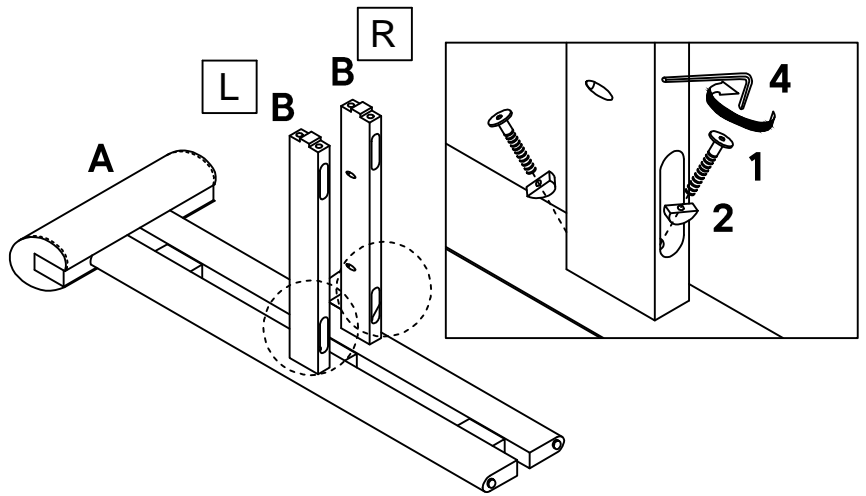
Step 3

COMPONENT

- A** Seat x1
- B** Center Wood x2

HARDWARE

- 1** JCBC M6 x 50mm x4
- 2** C95 Nylon Washer (Black) x4
- 4** M4 Allen Key x1

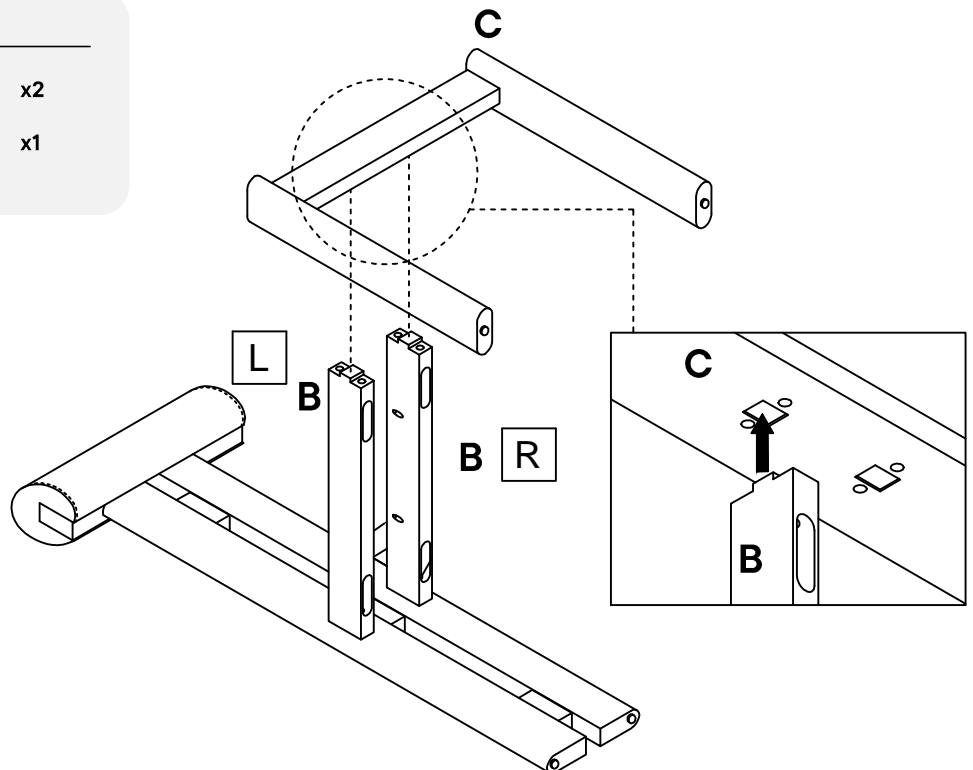


NOTE : Do not fully tighten the bolt

Step 4

COMPONENT

- B** Center Wood x2
- C** Leg Front x1



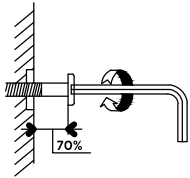
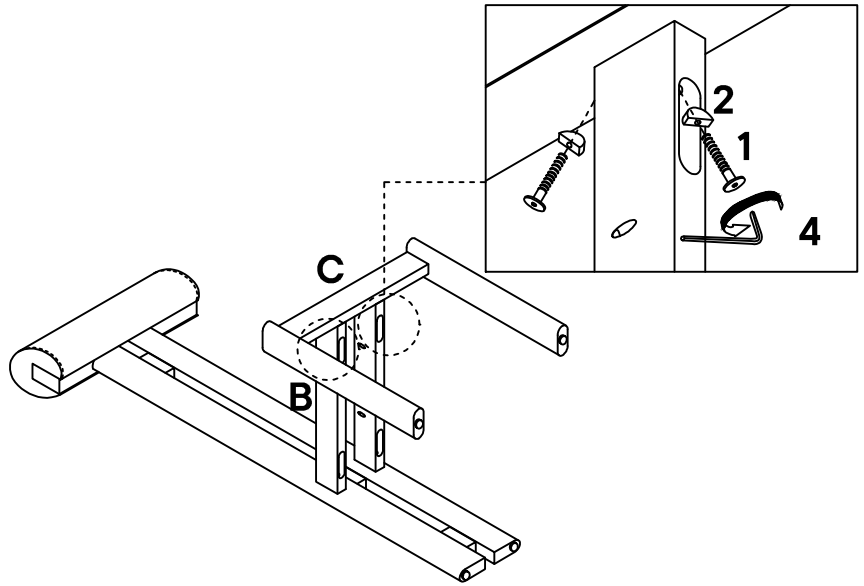
Step 5

COMPONENT

B	Center Wood	x2
C	Leg Front	x1

HARDWARE

1	JCBC M6 x 50mm	x4
2	C95 Nylon Washer (Black)	x4
4	M4 Allen Key	x1

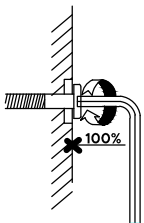
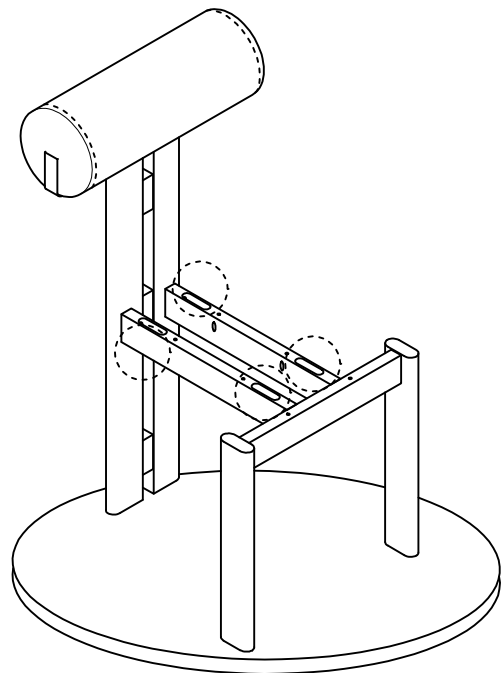


NOTE : Do not fully tighten the bolt

Step 6

COMPONENT

B	Center Wood	x2
C	Leg Front	x1

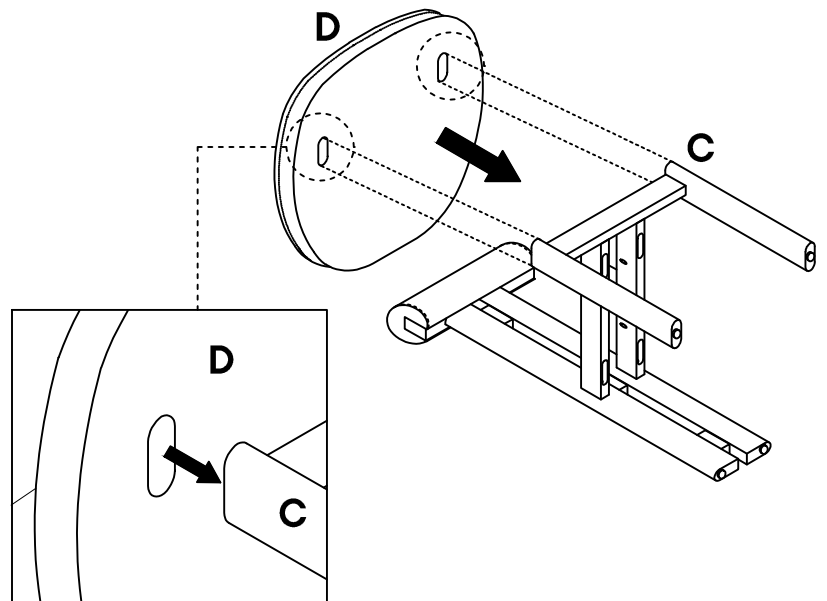


NOTE : To assist with leveling the chair, and fully tighten all bolts with Allen Key (5) to secure all legs,

Step 7

COMPONENT

- C** Leg Front x1
- D** Cushion x1



Step 8

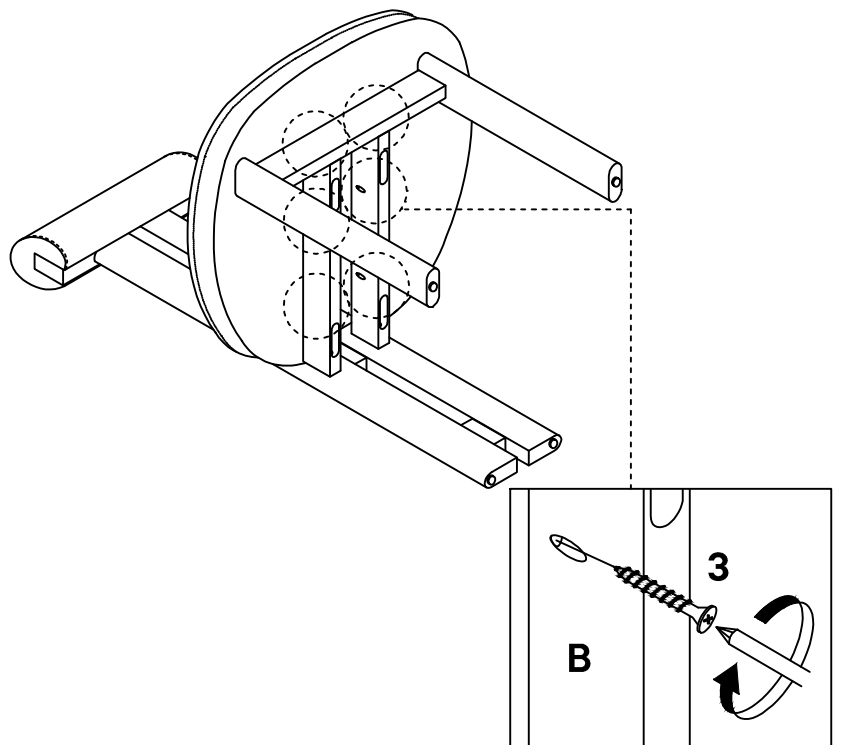
COMPONENT

- B** Center Wood x2

HARDWARE

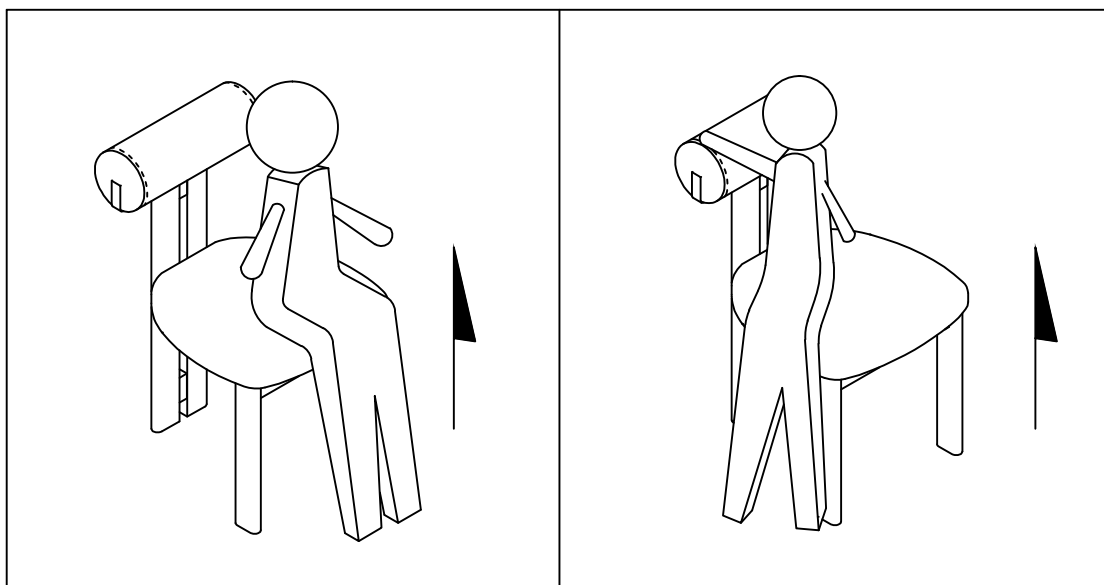
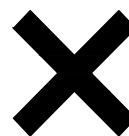
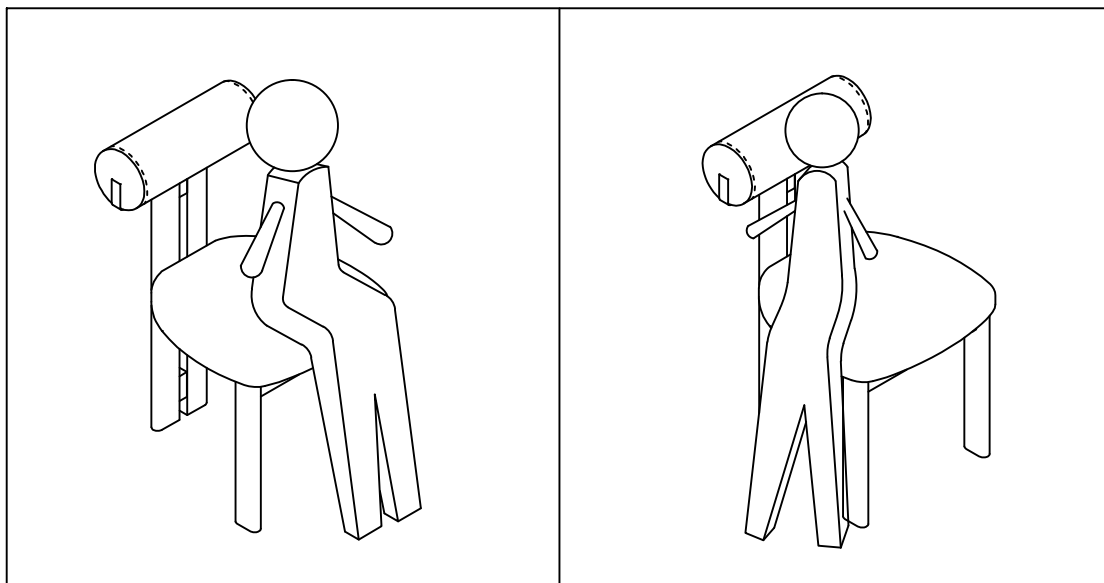
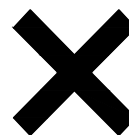
- 3** Wood Screw M4 X 35mm x6

Phillips Head Screwdriver



Appropriate sitting position

To ensure safety, maintain proper posture, and comfort, it is recommended to avoid sitting on the edges of the chair seat.



Great job!

Chair assembly is complete

♥ CARING FOR YOUR ITEM

Indoor use only.

Not contract grade.

Clean using a non-abrasive cloth and a mild cleaner

Never use harsh chemicals, as they could damage the finish or integrity of the item.

CONNECT WITH US!   

Tag us @modway_furniture and #modway for a chance to be featured.

