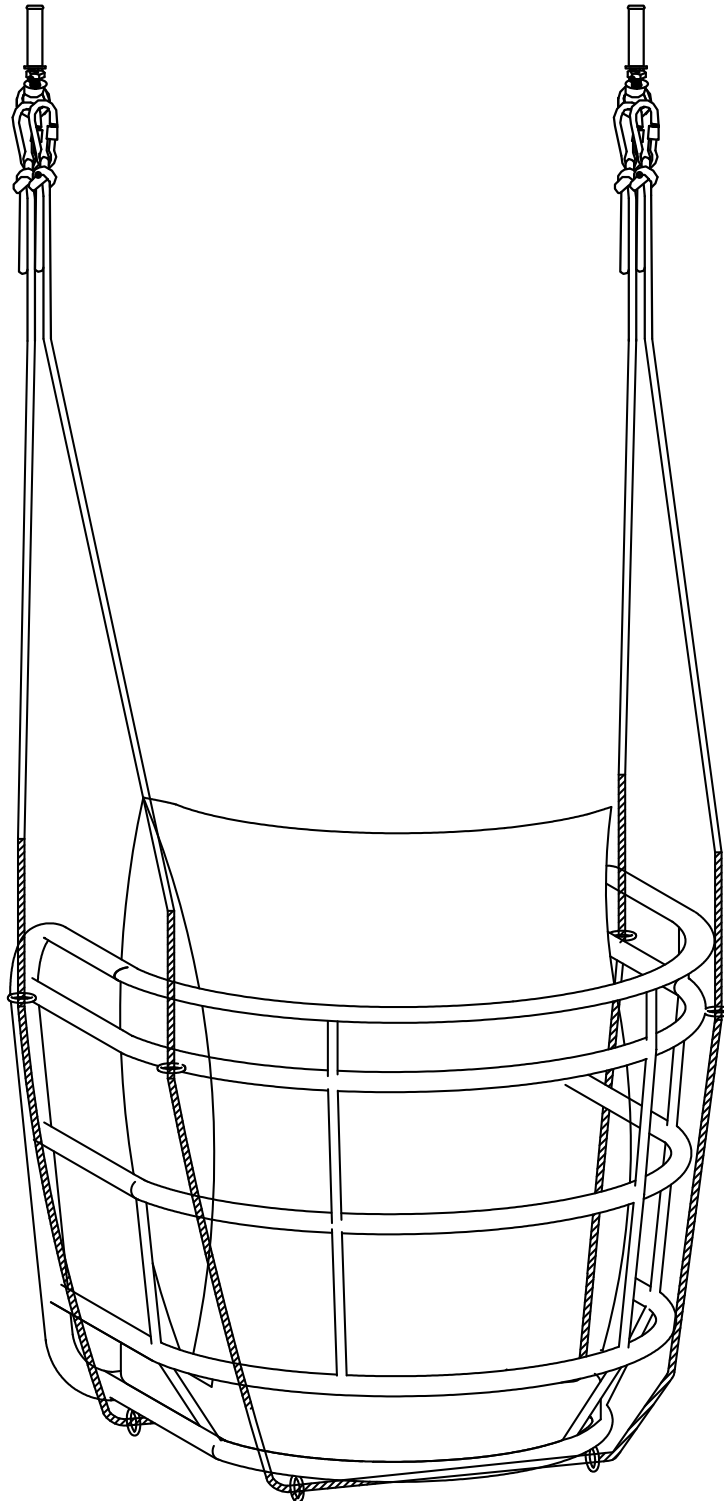


ASSEMBLY INSTRUCTIONS

EEI-6949

V0.04.04.24



Questions? Contact us!

609.256.9000 • cs@modway.com
www.modway.com

*modway



Read through all of the instructions before starting



Care instructions are listed in the last step of this manual



Approx. 30 minutes assembly time



Make sure you have all parts and components before discarding any packing materials



2 people recommended for assembly

Only use hand tools to assemble this item. Do not use power tools. Do not tighten bolts or screws completely until all hardware is lined up and inserted into the holes.

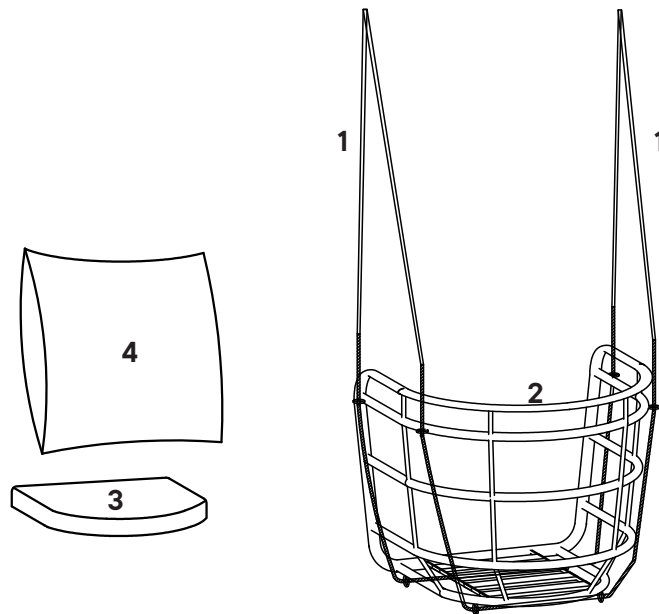
Do not over-tighten screws and bolts to avoid stripping the hardware or cracking the item.

Assemble your item on a flat, carpeted area, with plenty of space to work. This will prevent damage and scratches to your floors or the item while you're assembling the product.

Keep all components and packaging out of reach of children or animals to avoid risk of choking or suffocation.

Furniture components:

1	Rope	x2
2	Basket	x1
3	Seat Cushion	x1
4	Back Cushion	x1



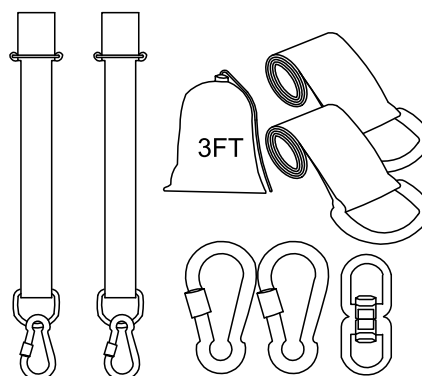
Provided hardware:

A		Buckle	x2
B		Expansion Screw 80mm x 20mm	x2
C		Button	x8
D		Adjustable Buckle	x4

You may also need:

- + Power Drill
- + Ladder
- + Hammer

The additional hanging kits as below that can be purchased and assembled for this swing chair.

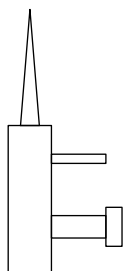
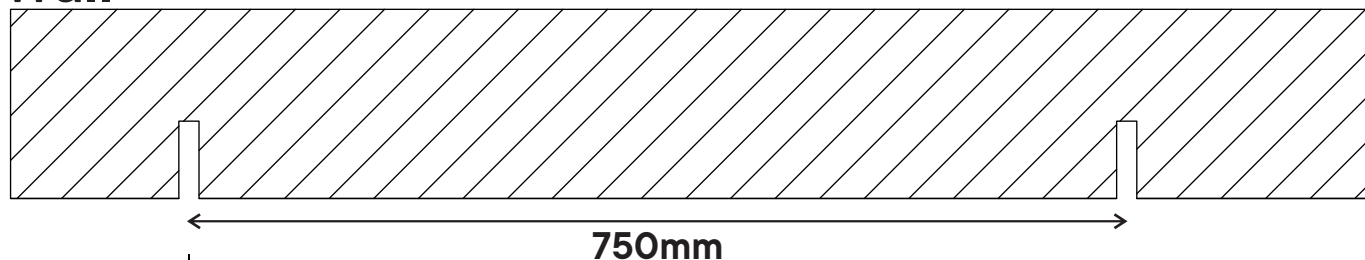


Wait!

Missing parts or hardware? Need assistance?
Contact us before returning your item. We're here to help!
609.256.9000 • cs@modway.com

Step 1

Wall



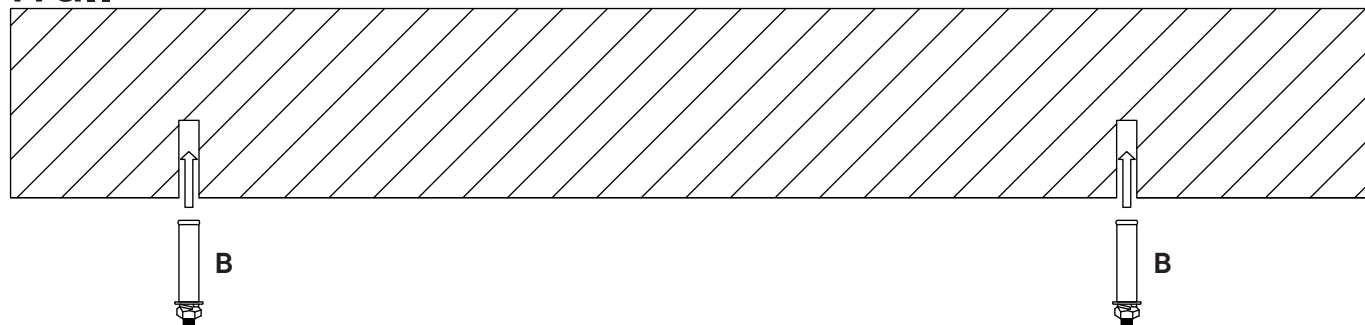
Electric Drill

Step 2

HARDWARE

- B** Expansion Screw 80mm x 20mm x2

Wall

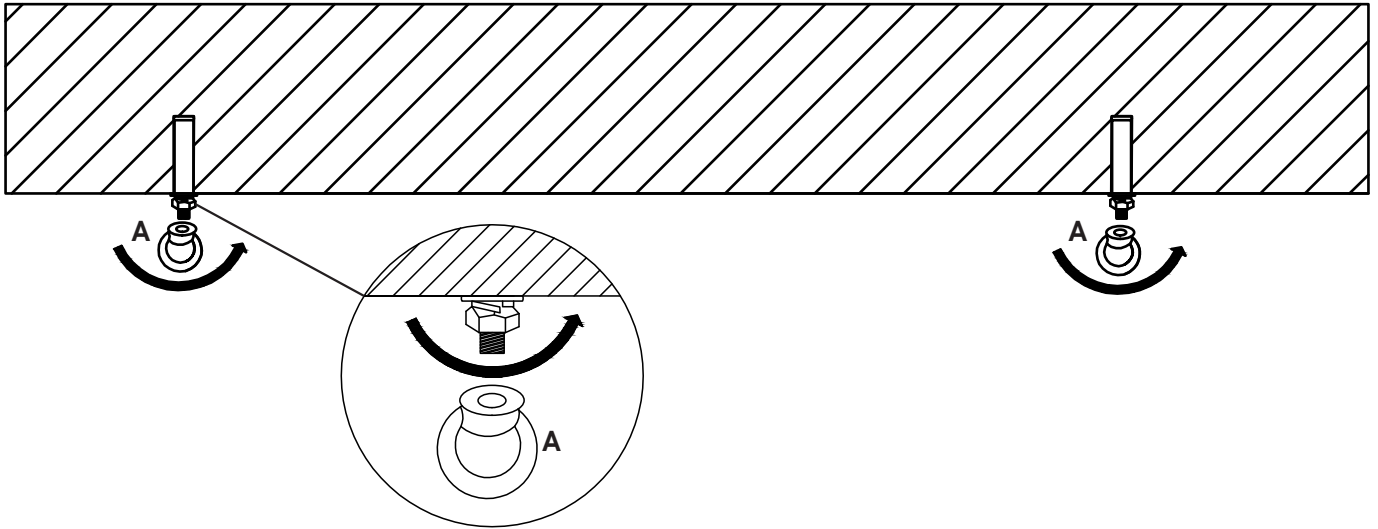


Step 3

HARDWARE

- A** Buckle x2

Wall



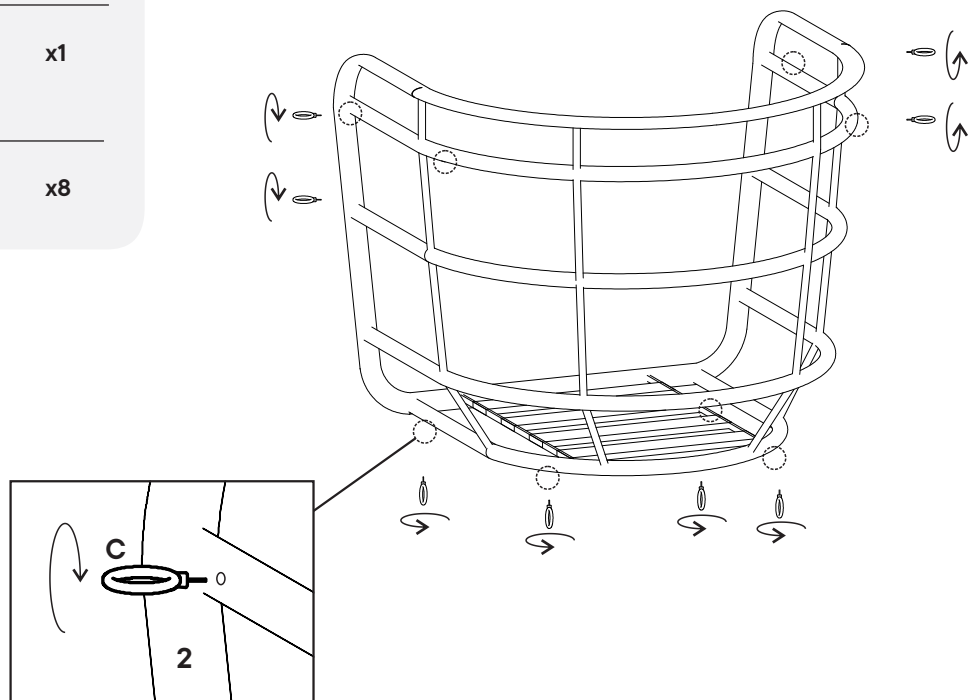
Step 4

COMPONENTS

- 2** Basket x1

HARDWARE

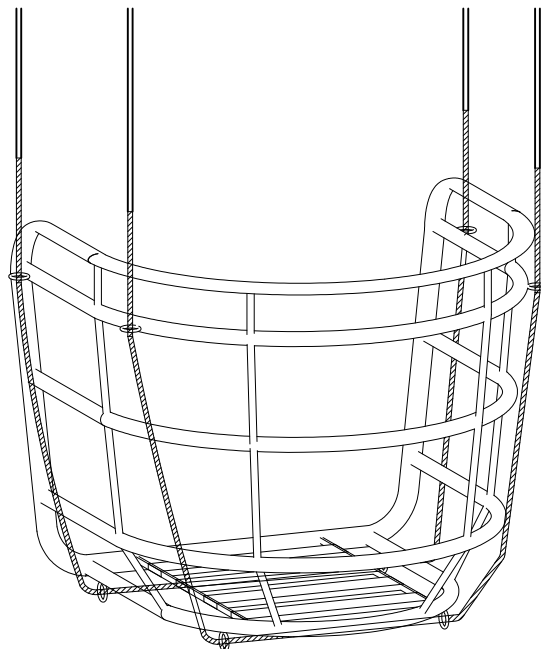
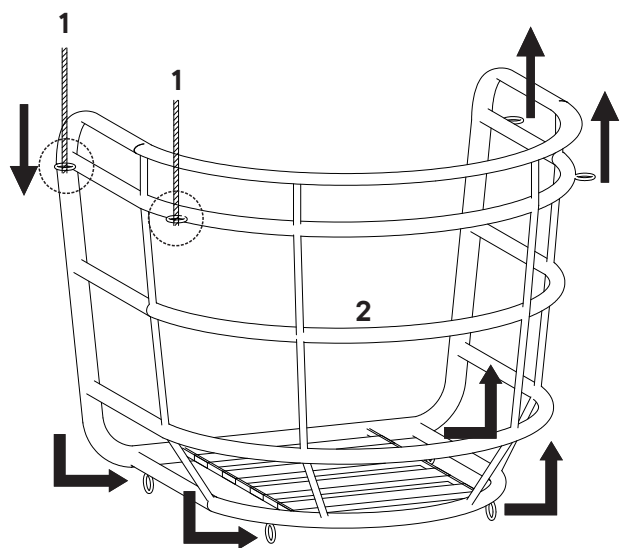
- C** Button x8



Step 5

COMPONENTS

- ① Rope x2
- ② Basket x1



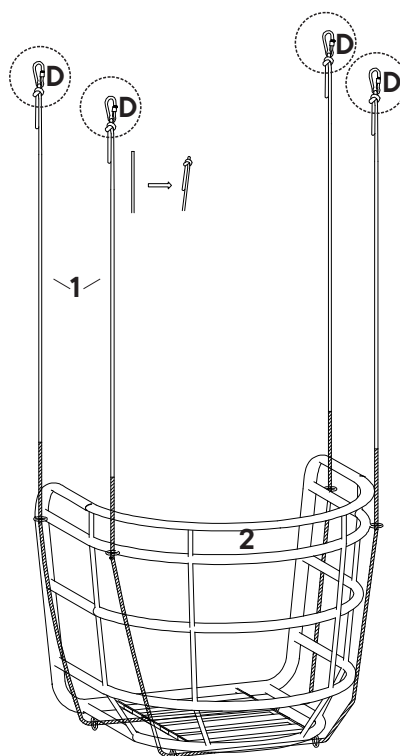
Step 6

COMPONENTS

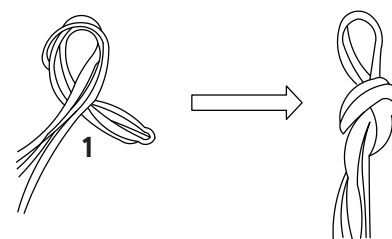
- ① Rope x2
- ② Basket x1

HARDWARE

- ⓓ Adjustable Buckle x4



Notes: Put the Rope(1) through the Adjustable Buckle(D) as in the below photo then tie the Rope(1) as in the following photo.



Step 7

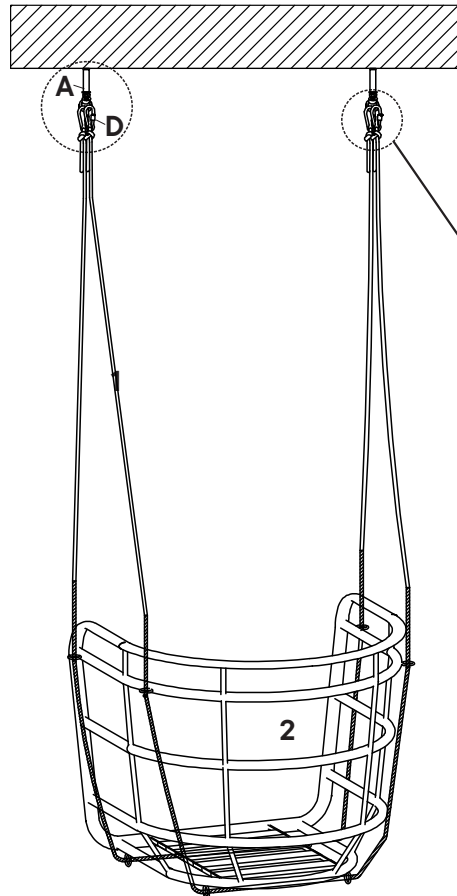
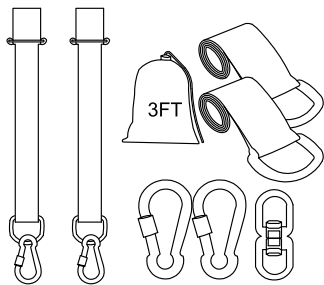
COMPONENTS

- 1 Rope x2
- 2 Basket x1

HARDWARE

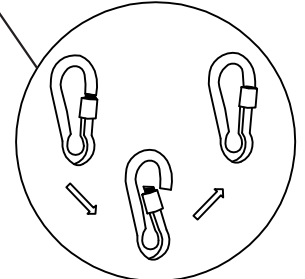
- A Buckle x2
- D Adjustable Buckle x4

The additional hanging kits as below that can be purchased and assembled for this swing chair.

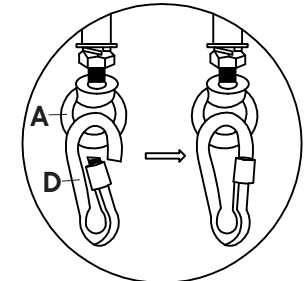


Notes: Put the Adjustable Buckle(D) to the Buckle(A) as the photo then adjust the suitable height.

Step 7.1



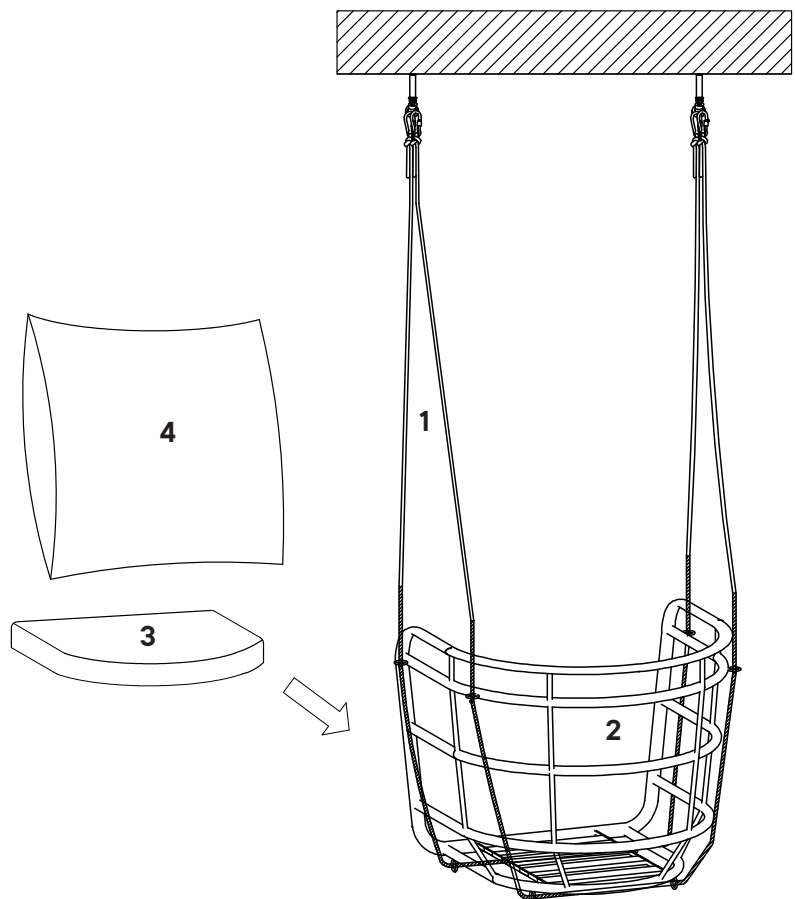
Step 7.2



Step 8

COMPONENTS

- 1 Rope x2
- 2 Basket x1
- 3 Seat Cushion x1
- 4 Back Cushion x1



Great job!

Your swing chair is complete and ready to enjoy.

♥ CARING FOR YOUR ITEM

Indoor and outdoor use.

Not contract grade.

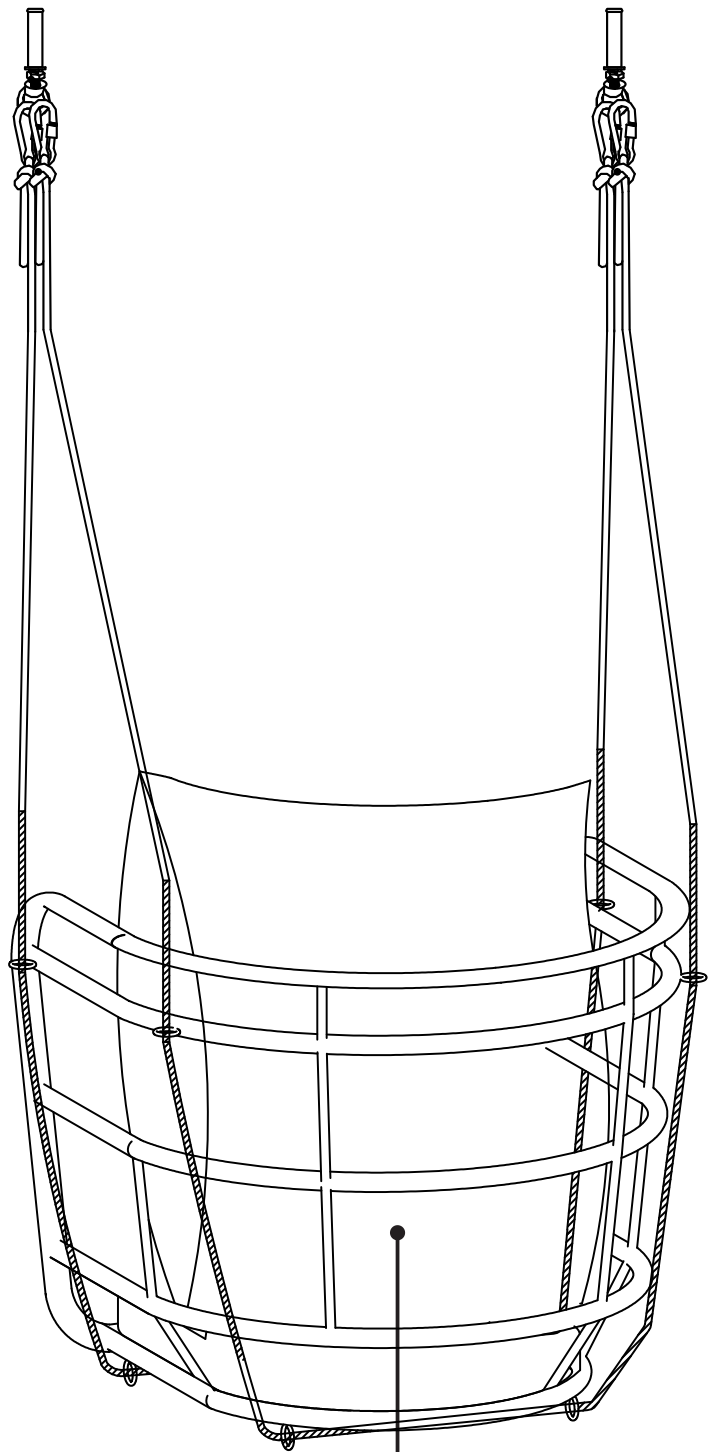
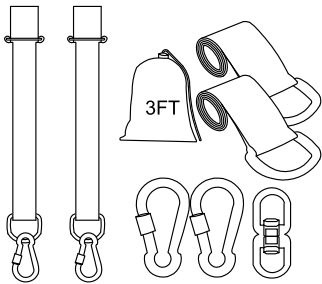
Clean using a non-abrasive cloth and a mild cleaner.

Never use harsh chemicals, as they could damage the finish or integrity of the item.

CONNECT WITH US!

Tag us @modway_furniture and #modway for a chance to be featured.

The additional hanging kits as below that can be purchased and assembled for this swing chair.



Max: 265lbs / 120kg