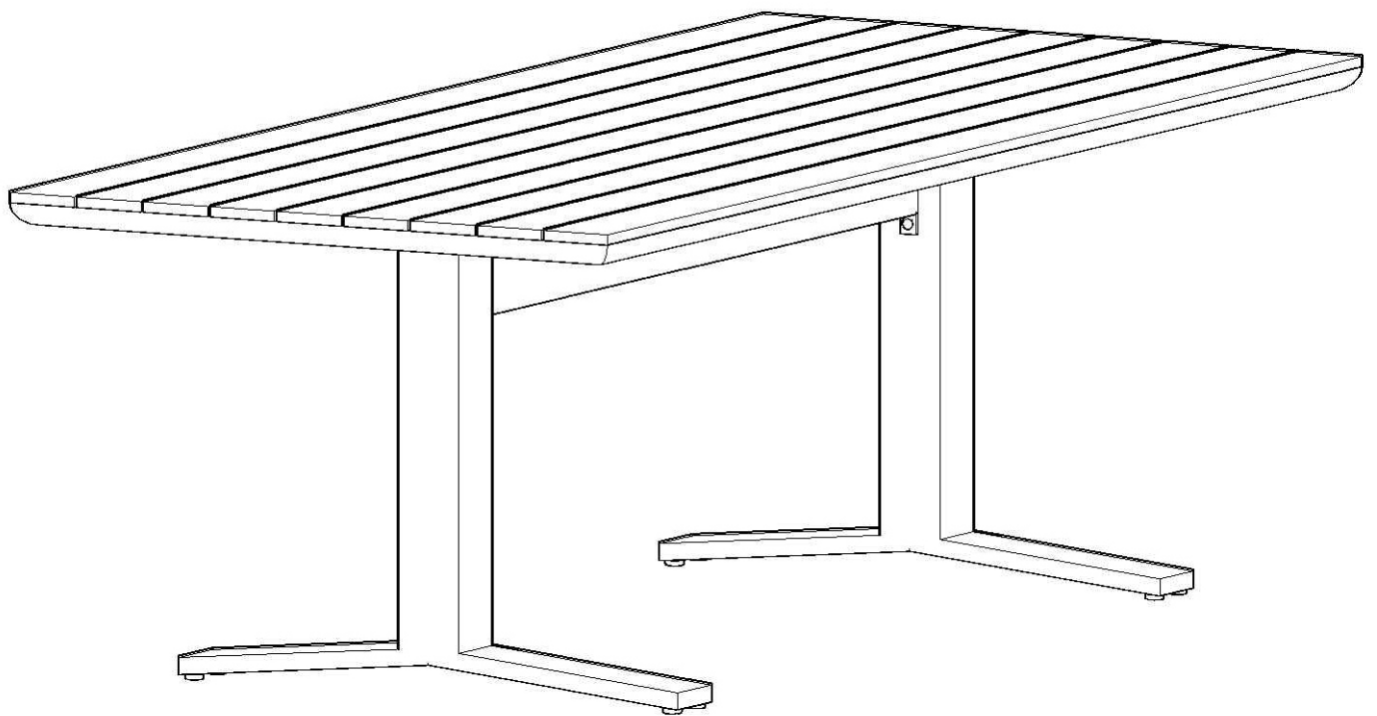


# ASSEMBLY INSTRUCTIONS

# EEI-6948

V0.04.04.24



**Questions? Contact us!**

609.256.9000 • [cs@modway.com](mailto:cs@modway.com)  
[www.modway.com](http://www.modway.com)

\*modway

# Let's get started!

\*modway



Read through all of the instructions before starting



Care instructions are listed in the last step of this manual



Approx. 30 minutes assembly time



Make sure you have all parts and components before discarding any packing materials



2 people recommended for assembly

**Only use hand tools to assemble this item.** Do not use power tools. Do not tighten bolts or screws completely until all hardware is lined up and inserted into the holes.

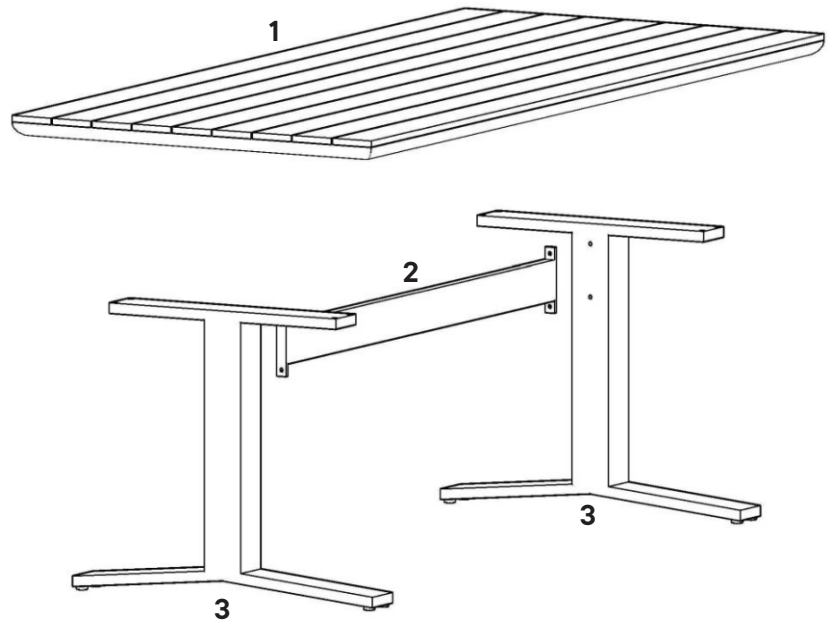
Do not over-tighten screws and bolts to avoid stripping the hardware or cracking the item.

Assemble your item on a flat, carpeted area, with plenty of space to work. This will prevent damage and scratches to your floors or the item while you're assembling the product.

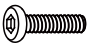
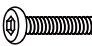


Keep all components and packaging out of reach of children or animals to avoid risk of choking or suffocation.

## Furniture components:

1	Table Top	x1
2	Support Bar	x1
3	Table Leg	x2



## Provided hardware:

A		JCBC M6 x 20mm	x4
B		JCBC M6 x 40mm	x8
C		Flat Washer M6	x12
D		Allen Key	x1

Wait!

Missing parts or hardware? Need assistance?  
Contact us before returning your item. We're here to help!  
609.256.9000 • cs@modway.com

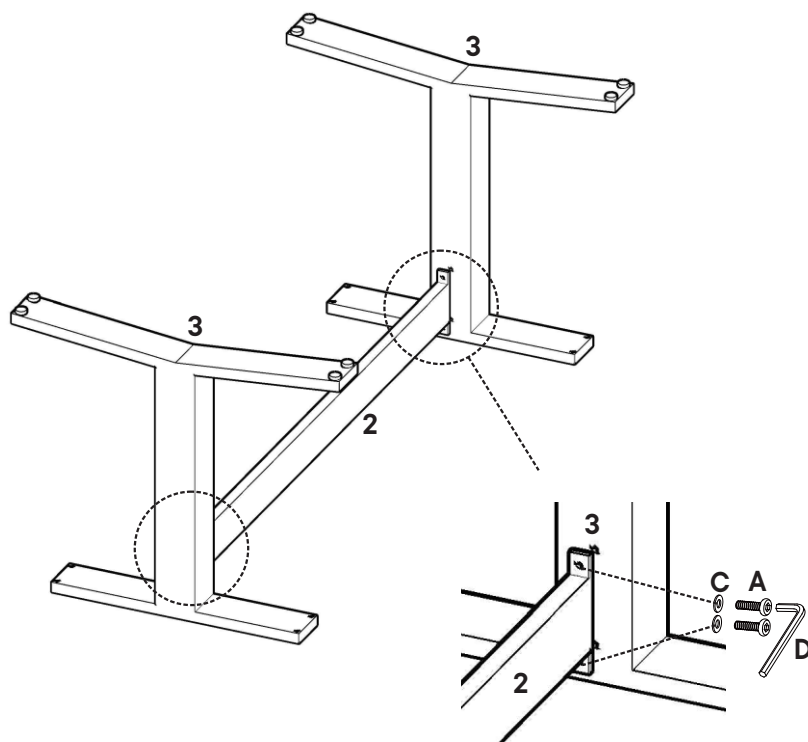
# Step 1

## COMPONENTS

- ② Support Bar x1
- ③ Table Leg x2

## HARDWARE

- Ⓐ JCBC M6 x 20mm x4
- Ⓒ Flat Washer M6 x4
- Ⓓ Allen Key x1



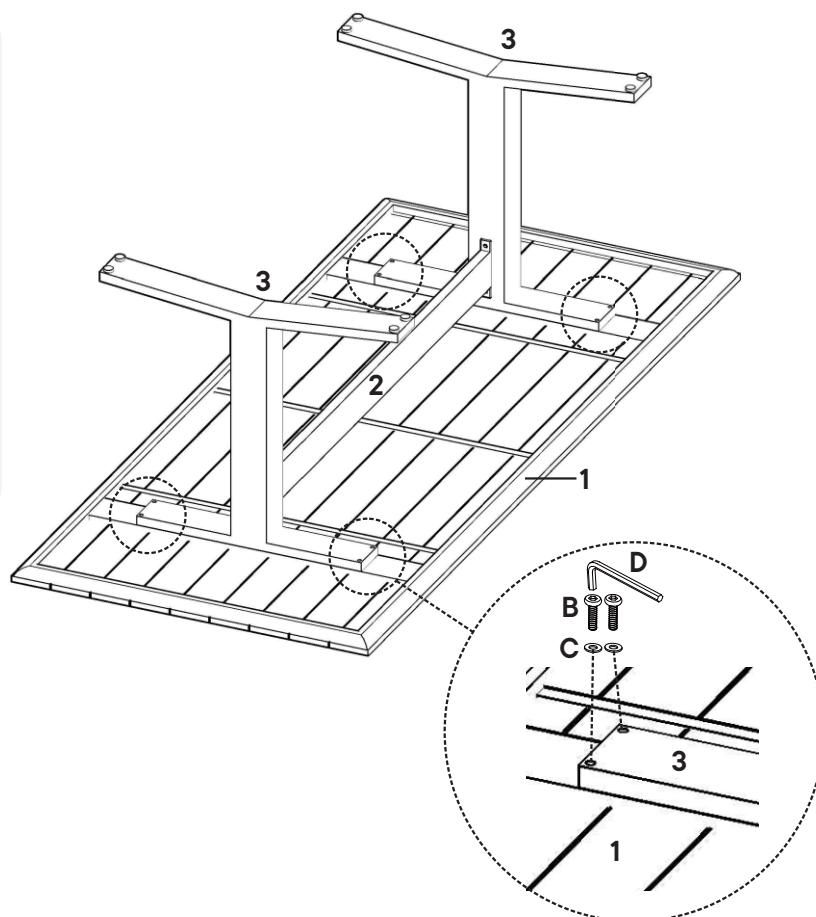
# Step 2

## COMPONENTS

- ① Table Top x1
- ② Support Bar x1
- ③ Table Leg x2

## HARDWARE

- Ⓑ JCBC M6 x 40mm x8
- Ⓒ Flat Washer M6 x8
- Ⓓ Allen Key x1



# Great job!

Your dining table is complete and ready to enjoy.

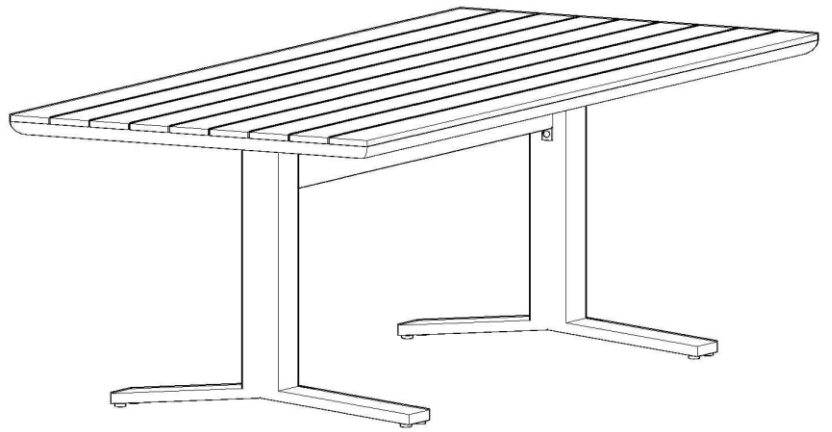
## ♥ CARING FOR YOUR ITEM

Indoor and outdoor use.

Not contract grade.

Clean using a non-abrasive cloth and a mild cleaner.

Never use harsh chemicals, as they could damage the finish or integrity of the item.



## CONNECT WITH US!

Tag us [@modway\\_furniture](#) and [#modway](#) for a chance to be featured.