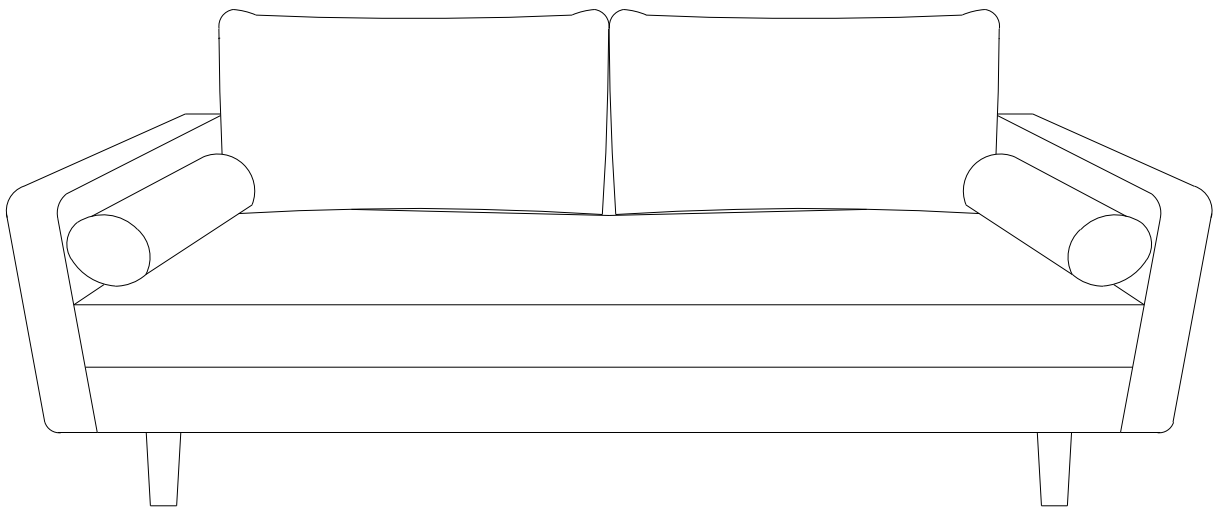


ASSEMBLY INSTRUCTIONS

EEI-6943/EEI-6945/EEI-6962

V0.17.07.24



Questions? Contact us!

609.256.9000 • cs@modway.com
www.modway.com

***modway**

Let's get started!

*modway



Read through all of the instructions before starting



Care instructions are listed in the last step of this manual



Approx. 30 minutes assembly time



Make sure you have all parts and components before discarding any packing materials



2 people recommended for assembly

Only use hand tools to assemble this item. Do not use power tools. Do not tighten bolts or screws completely until all hardware is lined up and inserted into the holes.

Do not over-tighten screws and bolts to avoid stripping the hardware or cracking the item.

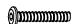



Assemble your item on a flat, carpeted area, with plenty of space to work. This will prevent damage and scratches to your floors or the item while you're assembling the product.

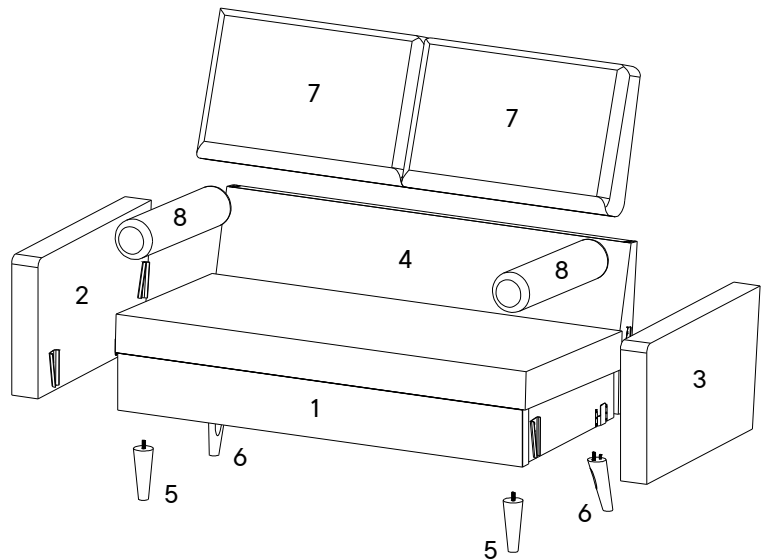
Keep all components and packaging out of reach of children or animals to avoid risk of choking or suffocation.

Furniture components:

1	Sofa Seat	x1	5	Front Leg	x2
2	Left Armrest	x1	6	Back Leg	x2
3	Right Armrest	x1	7	Back Cushion	x2
4	Backrest	x1	8	Bolster Pillow	x2

Provided hardware:

A		Bolt M8x60mm	x2
B		Spring Washer M8	x2
C		Allen Key M5	x1
D		Wood Dowel	x2



Wait!

Missing parts or hardware? Need assistance?

Contact us before returning your item. We're here to help!

609.256.9000 • cs@modway.com

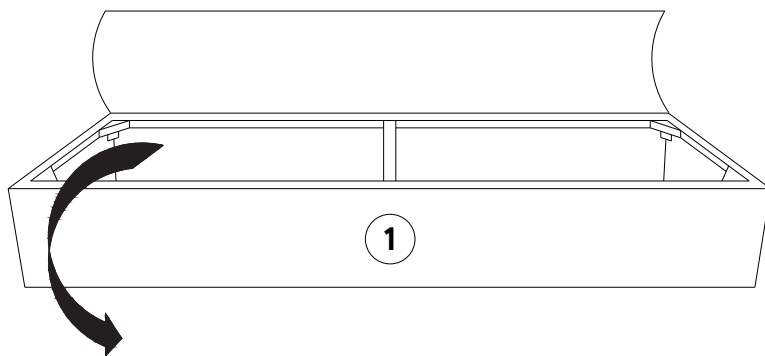
Step 1

COMPONENTS

1	Sofa Seat	x1
5	Front Legs	x2
6	Back Legs	x2
7	Back Cushion	x2
8	Bolster Pillow	x2

HARDWARE

A	Bolt M8 x 60mm	x2
B	Spring Washer M8	x2
C	Allenkey M5	x1
D	Wood Dowel	x2



1 Sofa Seat (1) + 2 Front Legs (5) + 2 Back Legs (6) + 2 Back Cushions (7) + 2 Bolster Pillows (8) + Hardware Package

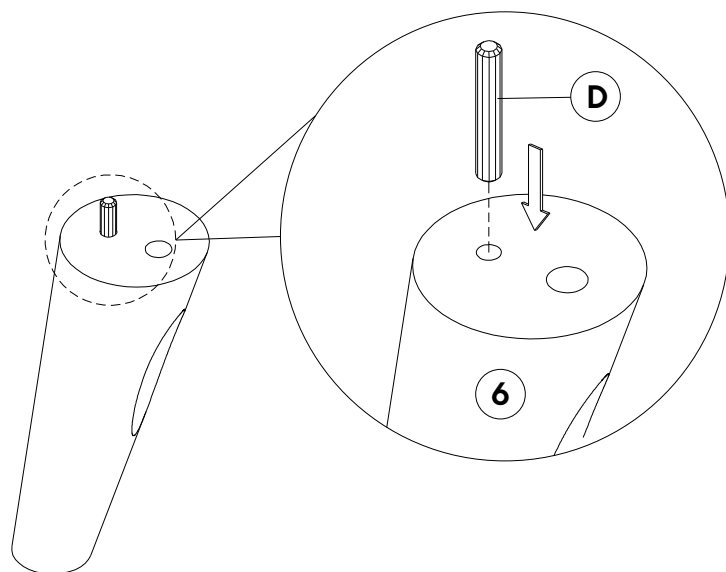
Step 2

HARDWARE

D	Wood Dowel	x2
---	------------	----

COMPONENTS

6	Back Legs	x2
---	-----------	----



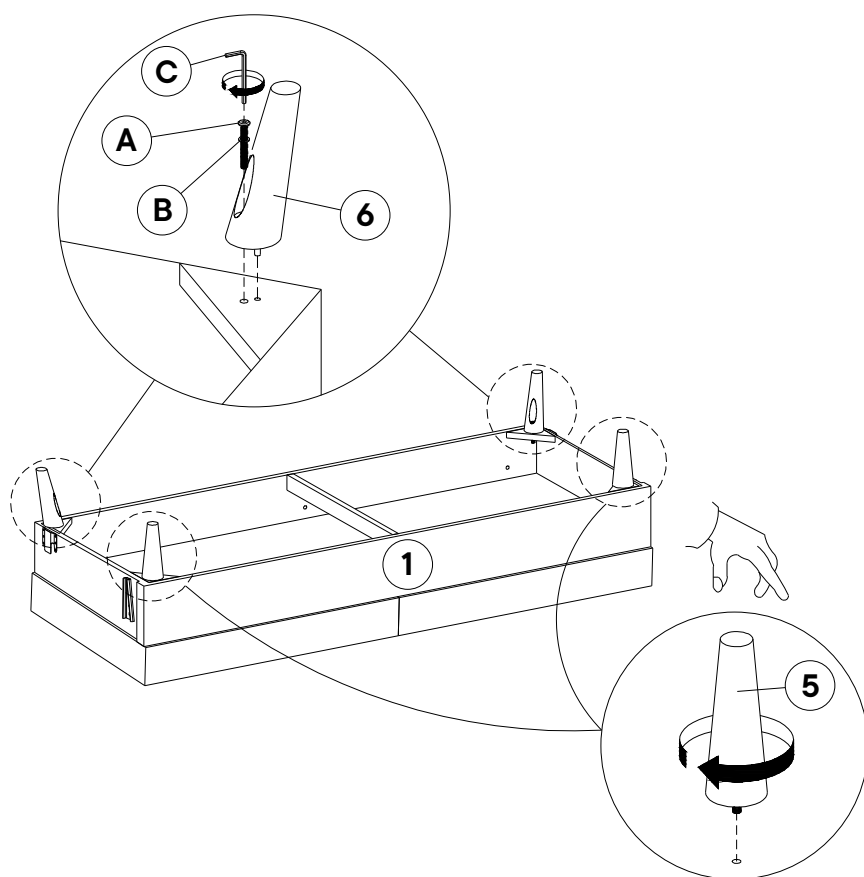
Step 3

COMPONENTS

1	Sofa Seat	x1
5	Front Legs	x2
6	Back Legs	x2

HARDWARE

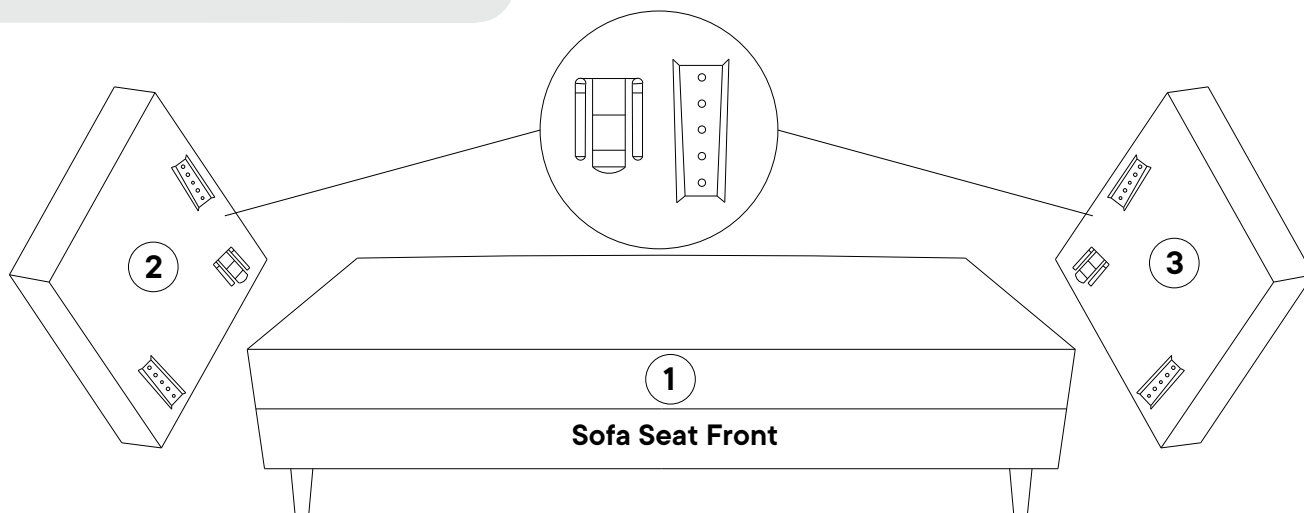
A	Bolt M8 x 60mm	x2
B	Spring Washer M8	x2
C	Allenkey M5	x1



Step 4

COMPONENTS

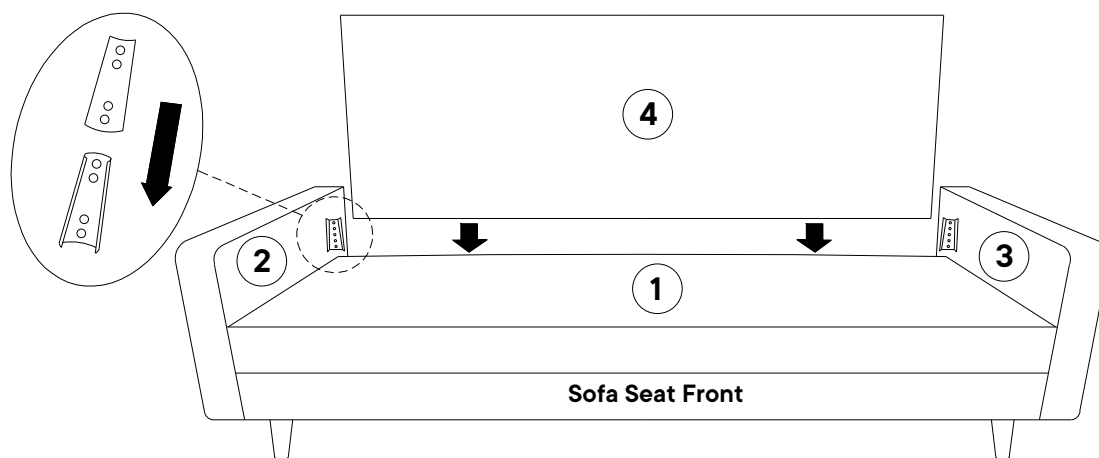
1	Sofa Seat	x1
2	Left Armrest	x1
3	Right Armrest	x1



Step 5

COMPONENTS

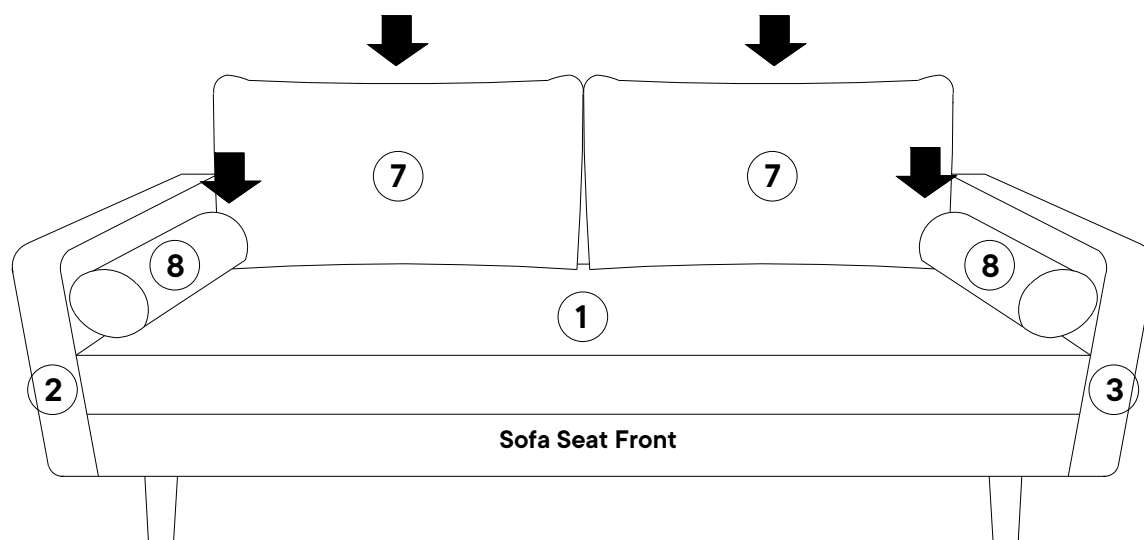
1	Sofa Seat	x1
2	Left Armrest	x1
3	Right Armrest	x1
4	Backrest	x1



Step 6

COMPONENTS

7	Back Cushion	x2
8	Bolster Pillow	x2



Great job!

Your sofa is complete and ready to enjoy.

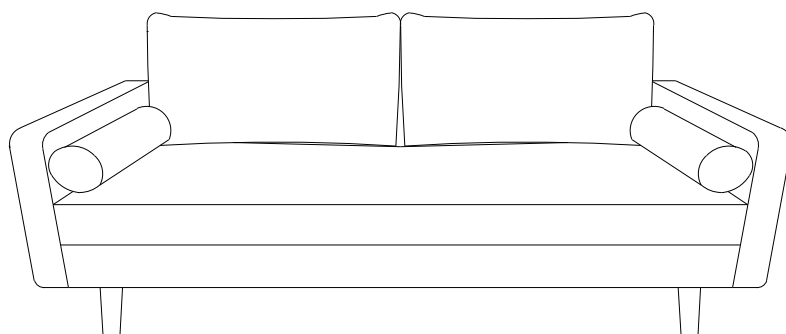
♥ CARING FOR YOUR ITEM

Indoor use only.

Not contract grade.

Spot clean using a non-abrasive cloth and a mild cleaner.

Never use harsh chemicals, as they could damage the finish or integrity of the item.



CONNECT WITH US!   

Tag us **@modway_furniture** and **#modway** for a chance to be featured.