

# ASSEMBLY INSTRUCTIONS

# EEI-6919

V0.03.06.24



**Questions? Contact us!**

609.256.9000 • [cs@modway.com](mailto:cs@modway.com)  
[www.modway.com](http://www.modway.com)

**\*modway**

# Let's get started!



Read through all of the instructions before starting



Care instructions are listed in the last step of this manual



Approx. 30 minutes assembly time



Make sure you have all parts and components before discarding any packing materials



2 people recommended for assembly

**Only use hand tools to assemble this item.** Do not use power tools. Do not tighten bolts or screws completely until all hardware is lined up and inserted into the holes.

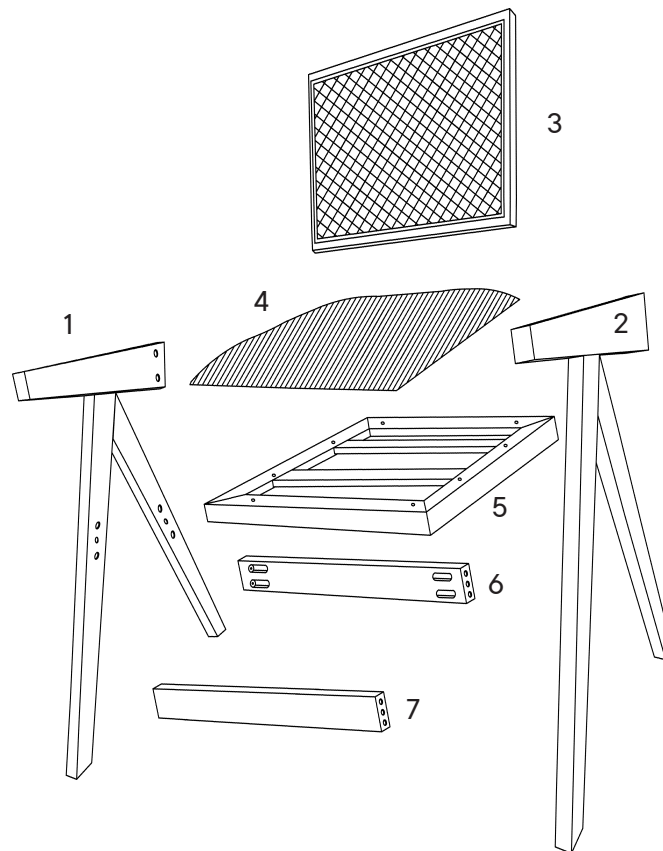
Do not over-tighten screws and bolts to avoid stripping the hardware or cracking the item.

Assemble your item on a flat, carpeted area, with plenty of space to work. This will prevent damage and scratches to your floors or the item while you're assembling the product.

Keep all components and packaging out of reach of children or animals to avoid risk of choking or suffocation.

## Furniture components:

1	Left Side Frame	x1
2	Right Side Frame	x1
3	Back Rest	x1
4	Cushion Seat	x1
5	Cushion Seat Frame	x1
6	Back Rail	x1
7	Front Rail	x1



## Provided hardware:

A		Allen Key	x1
B		JCBC M6 x 50mm	x12
C		Spring Washer	x12
D		Screw M4 x 32mm	x4
E		Screw M4 x 25mm	x8
F		Wood Dowel 8 x 30mm	x6

## What you need:



Phillips Head Screwdriver

**Wait!**

**Missing parts or hardware? Need assistance?**

Contact us before returning your item. We're here to help!  
609.256.9000 • [cs@modway.com](mailto:cs@modway.com)

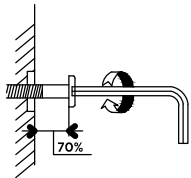
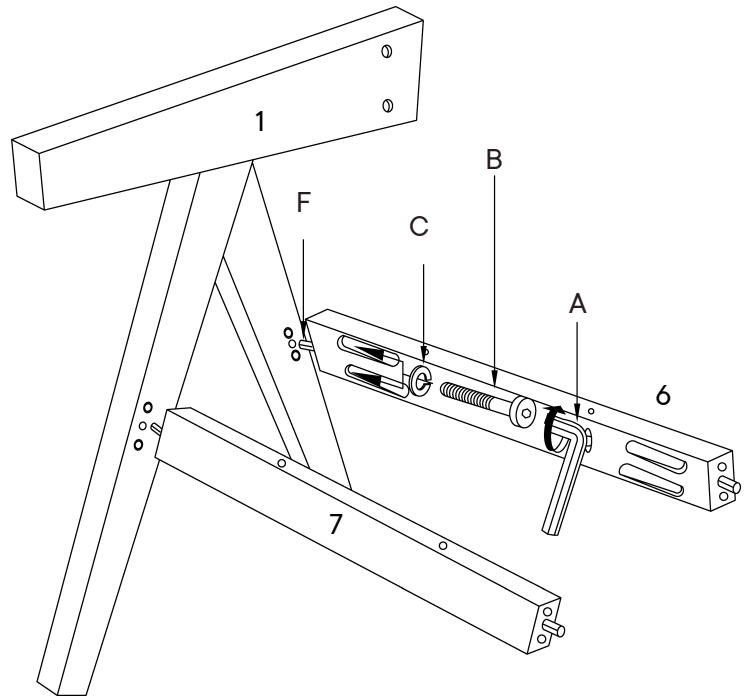
# Step 1

## COMPONENTS

- 1 Left Side Frame x1
- 6 Back Rail x1
- 7 Front Rail x1

## HARDWARE

- A Allen Key x1
- B JCBC M6 x 50mm x4
- C Spring Washer x4
- F Wood Dowel 8 x 30mm x2



**NOTE :** Do not fully tighten the bolt

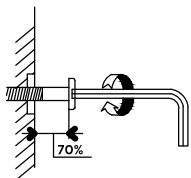
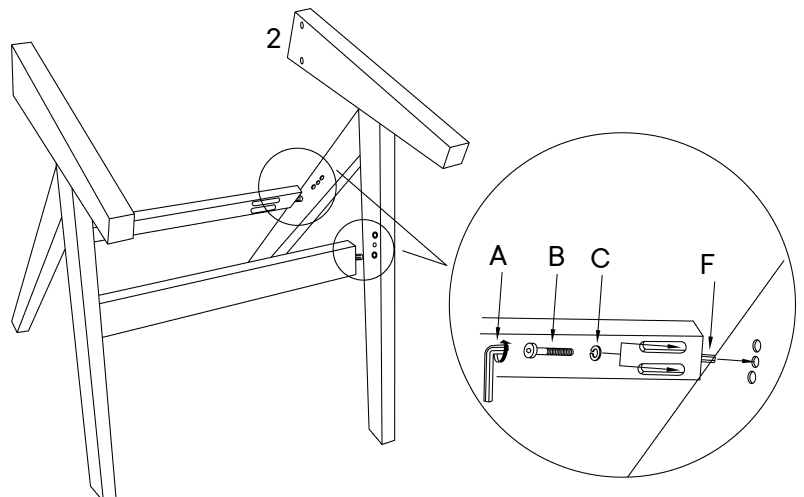
# Step 2

## COMPONENTS

- 2 Right Side Frame x1

## HARDWARE

- A Allen Key x1
- B JCBC M6 x 50mm x4
- C Spring Washer x4
- F Wood Dowel 8 x 30mm x2



**NOTE :** Do not fully tighten the bolt

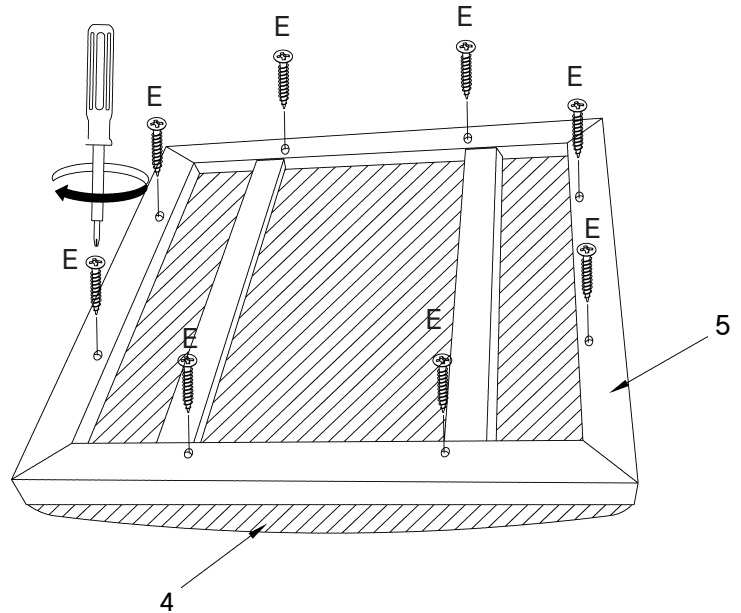
# Step 3

## COMPONENTS

- ④ Cushion Seat x1
- ⑤ Cushion Seat Frame x1

## HARDWARE

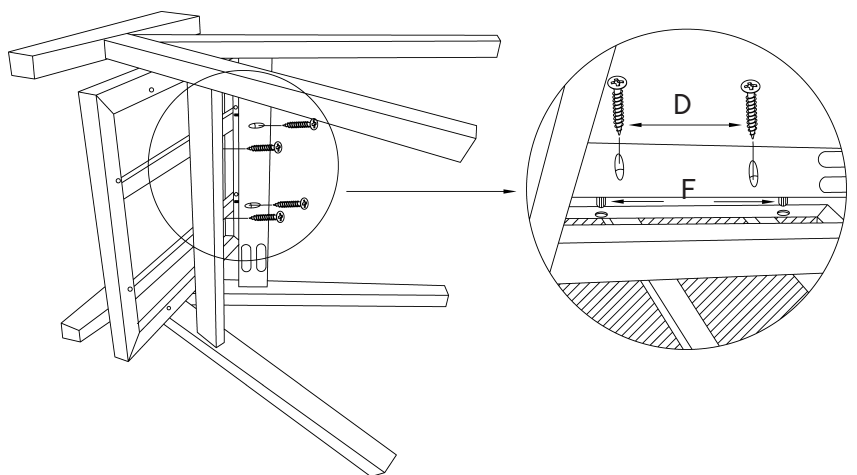
- Ⓔ Screw M4 x 25mm x8



# Step 4

## HARDWARE

- Ⓓ Screw m4 x 32mm x4
- Ⓕ Wood Dowel 8 x 30mm x2



# Step 5

## COMPONENTS

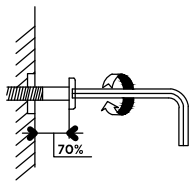
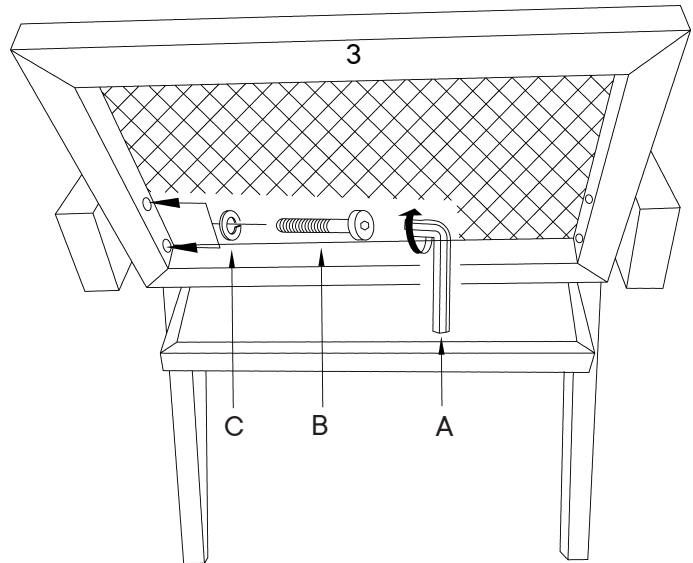
**3** Back Rest x1

## HARDWARE

**A** Allen Key x1

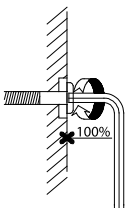
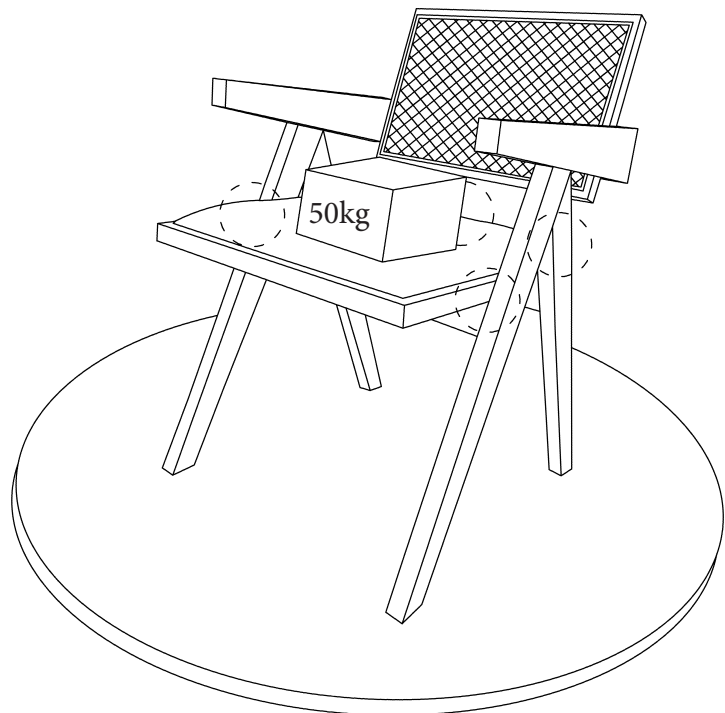
**B** JCBC M6 x 50mm x4

**C** Spring Washer x4



**NOTE :** Do not fully tighten the bolt

# Step 6



**NOTE :** To assist with leveling the chair, place a heavy object or have an adult sit on the Cushion Seat (4) to pressure the chair for leveling and fully tighten all bolts with Allen Key (A) to secure all the legs.

# Great job!

Your new armchair is complete

## ♥ CARING FOR YOUR ITEM

Indoor use only.

Not contract grade.

Spot clean using a non-abrasive cloth and a mild cleaner.

Never use harsh chemicals, as they could damage the finish or integrity of the item.

CONNECT WITH US!



Tag us @modway\_furniture and #modway for a chance to be featured.

