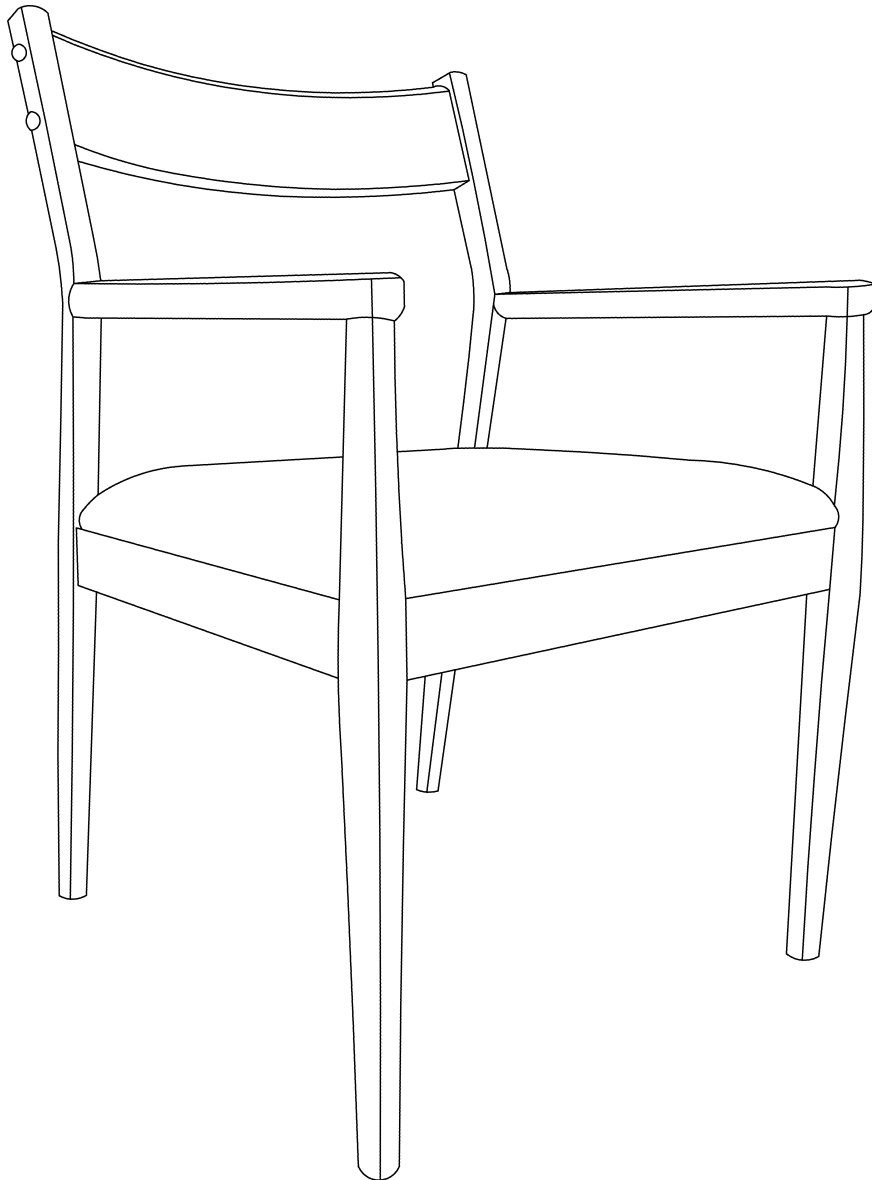


ASSEMBLY INSTRUCTIONS

EEI-6915/EEI-6916

VO.18.01.24



Questions? Contact us!

609.256.9000 • cs@modway.com
www.modway.com

***modway**

Let's get started!

*modway



Read through all of the instructions before starting



Care instructions are listed in the last step of this manual



Approx. 30 minutes assembly time



Make sure you have all parts and components before discarding any packing materials



2 people recommended for assembly

Only use hand tools to assemble this item. Do not use power tools. Do not tighten bolts or screws completely until all hardware is lined up and inserted into the holes.

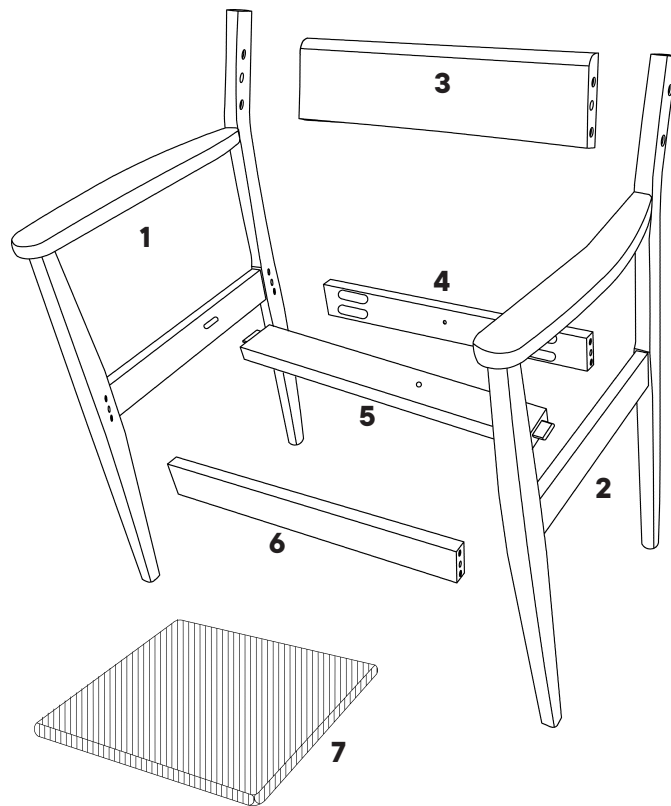
Do not over-tighten screws and bolts to avoid stripping the hardware or cracking the item.

Assemble your item on a flat, carpeted area, with plenty of space to work. This will prevent damage and scratches to your floors or the item while you're assembling the product.

Keep all components and packaging out of reach of children or animals to avoid risk of choking or suffocation.

Furniture components:

1	Left Side Frame	x1
2	Right Side Frame	x1
3	Back Rest	x1
4	Back Rail	x1
5	Center Rail	x1
6	Front Rail	x1
7	Cushion Seat	x1



Provided hardware:

A		Allen Key	x1
B		JCBC M6 x 50mm	x8
C		JCBC M6 x 35mm	x4
D		Spring Washer	x12
E		Screw M4 x 25mm	x1
F		Screw M4 x 32mm	x4
G		Wood Dowel 8 x 30mm	x6
H		Wood Button	x4

What you need:

Phillips Head Screwdriver

Wait!

Missing parts or hardware? Need assistance?
Contact us before returning your item. We're here to help!
609.256.9000 • cs@modway.com

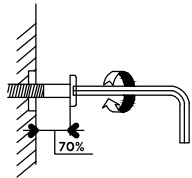
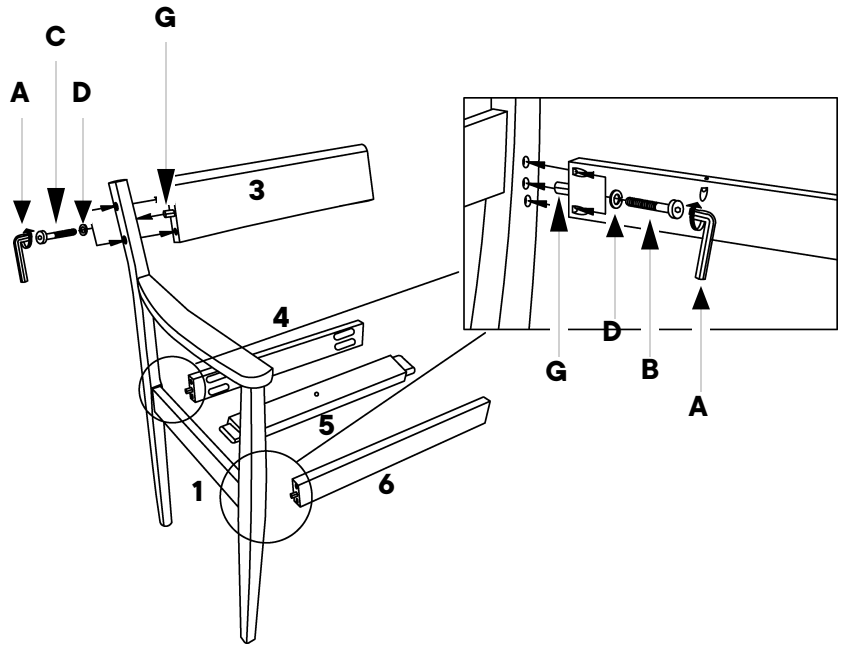
Step 1

COMPONENTS

- 1 Left Side Frame x1
- 3 Back Rest Back x1
- 4 Back Rail x1
- 5 Center Rail x1
- 6 Front Rail x1

HARDWARE

- A Allen Key x1
- B JCBC M6 x 50mm x4
- C JCBC M6 x 35mm x2
- D Spring Washer x6
- G Wood Dowel 8 x 30mm x3



NOTE : Do not fully tighten the bolt

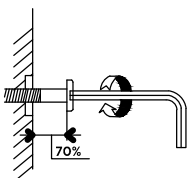
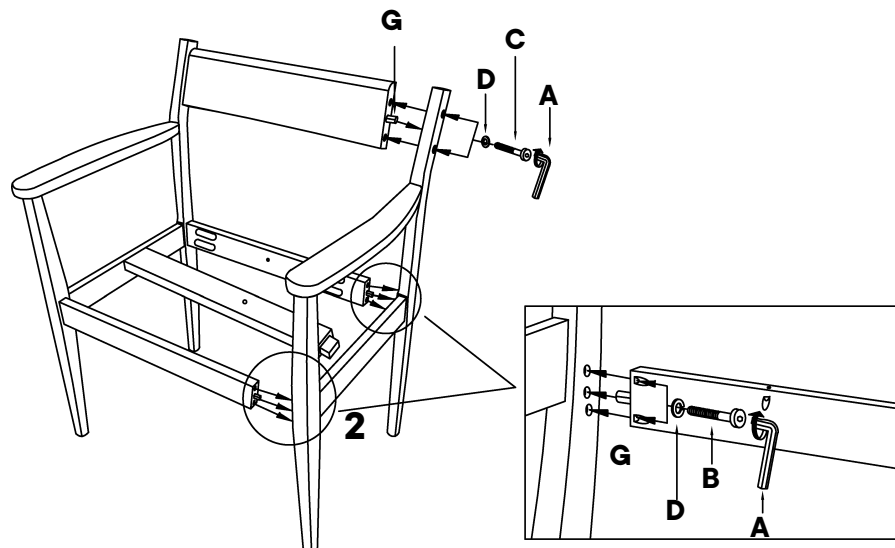
Step 2

COMPONENTS

- 2 Right Side Frame x1

HARDWARE

- A Allen Key x1
- B JCBC M6 x 50mm x4
- C JCBC M6 x 35mm x2
- D Spring Washer x6
- G Wood Dowel 8 x 30mm x3



NOTE : Do not fully tighten the bolt

Step 3

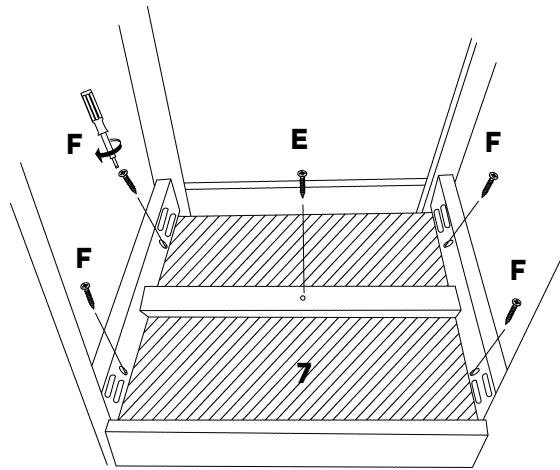
COMPONENTS

7 Cushion Seat x1

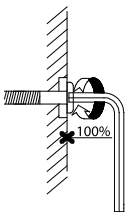
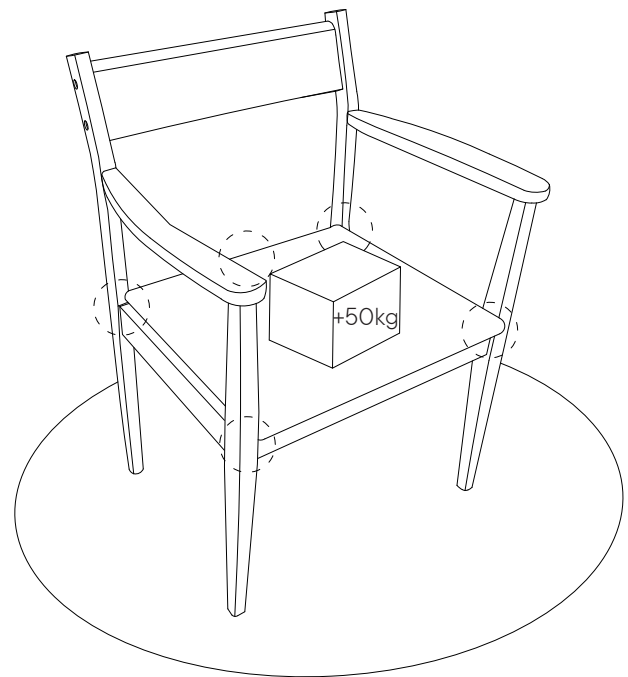
HARDWARE

E Screw M4 x 25mm x1

F Screw M4 x 32mm x4



Step 4

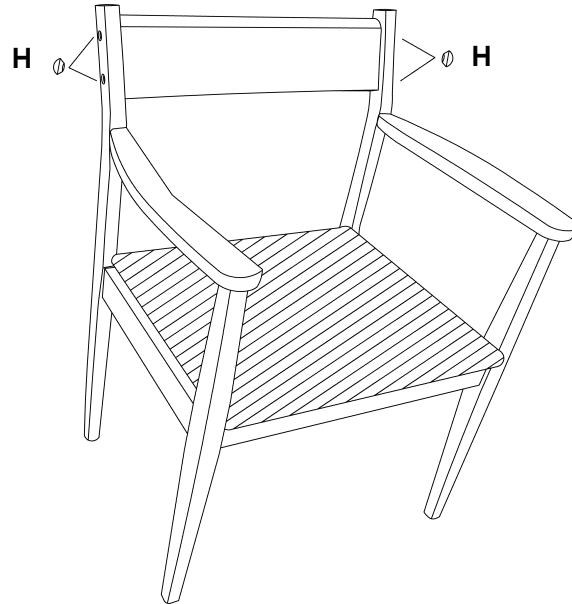


NOTE : To assist with leveling the chair, place a heavy object or have an adult sit on the Seat Cushion (7) to pressure the chair for leveling and fully tighten all bolts with Allen Key (A) to secure all the legs.

Step 5

HARDWARE

H Wood Button **x4**



Great job!

Your new arm chair is complete.

♥ CARING FOR YOUR ITEM

Indoor use only.

Not contract grade.

Spot clean using a non-abrasive cloth and a mild cleaner.

Never use harsh chemicals, as they could damage the finish or integrity of the item.

CONNECT WITH US!   

Tag us @modway_furniture and #modway for a chance to be featured.

