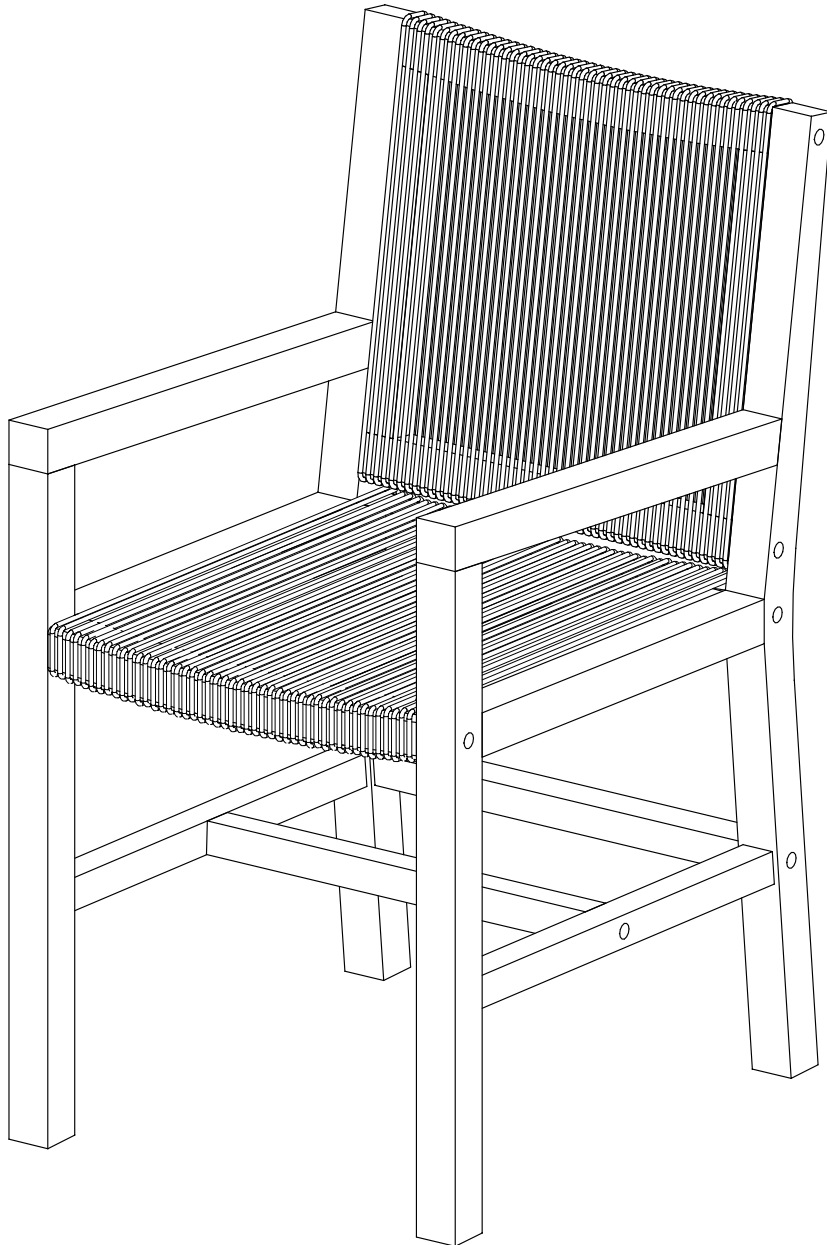


# ASSEMBLY INSTRUCTIONS

# EEI-6806

V1.06.08.23



## Questions? Contact us!

609.256.9000 • [cs@modway.com](mailto:cs@modway.com)  
[www.modway.com](http://www.modway.com)

\*modway

# Let's get started!

**\*modway**



Read through all of the instructions before starting



Care instructions are listed in the last step of this manual



Approx. 30 minutes assembly time



Make sure you have all parts and components before discarding any packing materials



2 people recommended for assembly

**Only use hand tools to assemble this item.** Do not use power tools. Do not tighten bolts or screws completely until all hardware is lined up and inserted into the holes.

Do not over-tighten screws and bolts to avoid stripping the hardware or cracking the item.

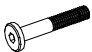


Assemble your item on a flat, carpeted area, with plenty of space to work. This will prevent damage and scratches to your floors or the item while you're assembling the product.

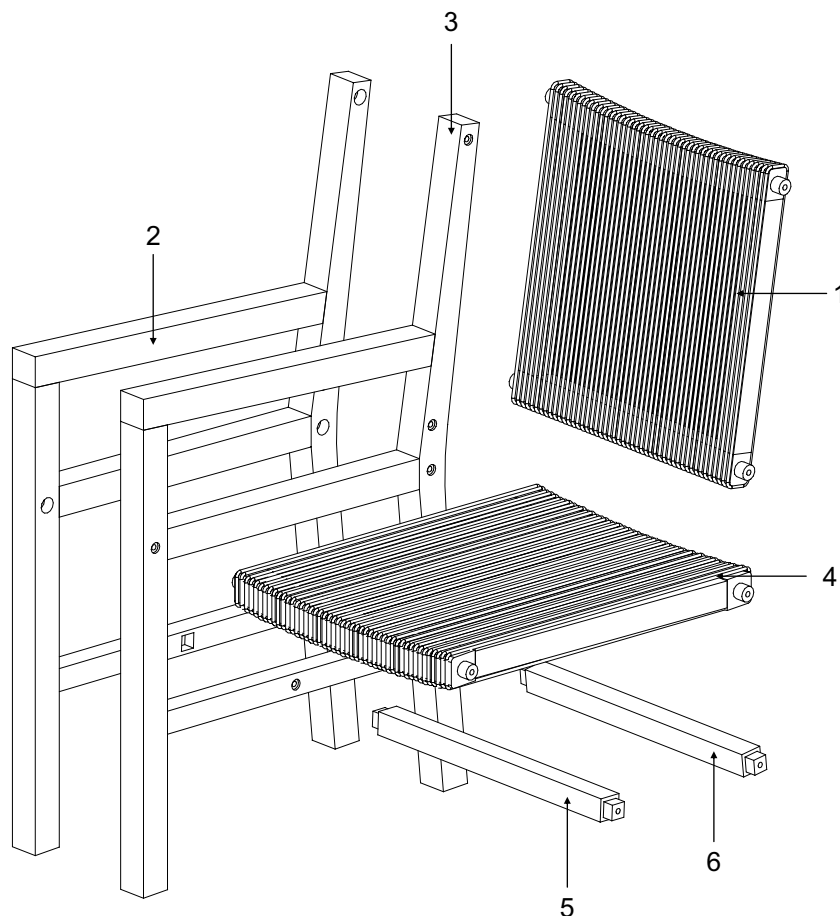
Keep all components and packaging out of reach of children or animals to avoid risk of choking or suffocation.

## Furniture components:

1	Backrest	x1
2	Left Frame	x1
3	Right Frame	x1
4	Seat Base	x1
5	Leg Support Front	x1
6	Leg Support Back	x1

## Provided hardware:

A		Bolt M6 x 35 mm	x12
B		Allen Key	x1
C		Wooden Plug	x12



**Wait!**

**Missing parts or hardware? Need assistance?**

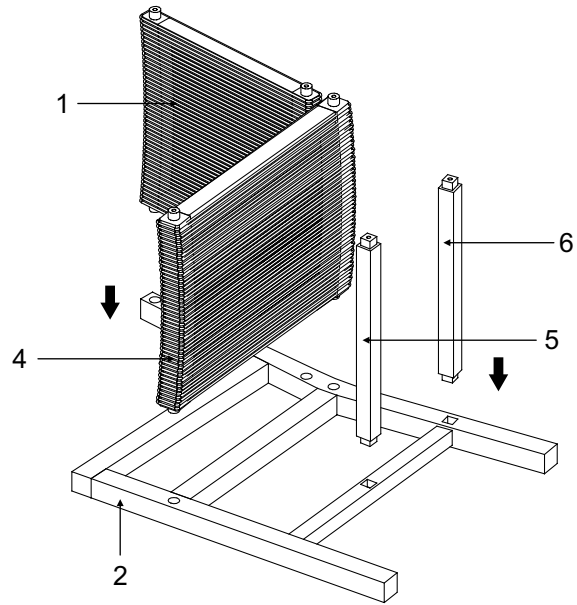
Contact us before returning your item. We're here to help!

609.256.9000 • [cs@modway.com](mailto:cs@modway.com)

# Step 1

## COMPONENTS

- |   |                   |    |
|---|-------------------|----|
| 1 | Backrest          | x1 |
| 2 | Left Frame        | x1 |
| 4 | Seat Base         | x1 |
| 5 | Leg Support Front | x1 |
| 6 | Leg Support Back  | x1 |



# Step 2

## COMPONENTS

- |   |                   |    |
|---|-------------------|----|
| 1 | Backrest          | x1 |
| 2 | Left Frame        | x1 |
| 3 | Right Frame       | x1 |
| 4 | Seat Base         | x1 |
| 5 | Leg Support Front | x1 |
| 6 | Leg Support Back  | x1 |

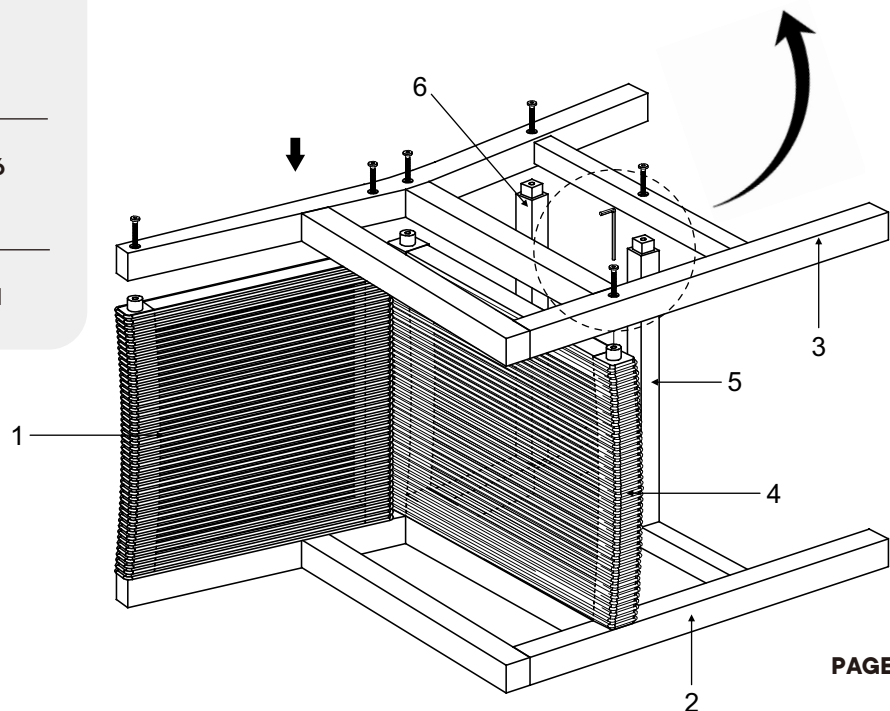
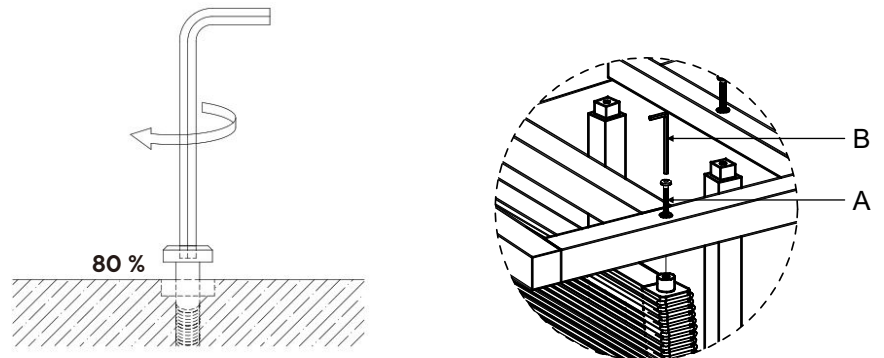
## HARDWARE

- |   |                 |    |
|---|-----------------|----|
| A | Bolt M6 x 35 mm | x6 |
|---|-----------------|----|

## TOOLS

- |   |           |    |
|---|-----------|----|
| B | Allen Key | x1 |
|---|-----------|----|

Note : Do not fully tighten the bolts



# Step 3

## COMPONENTS

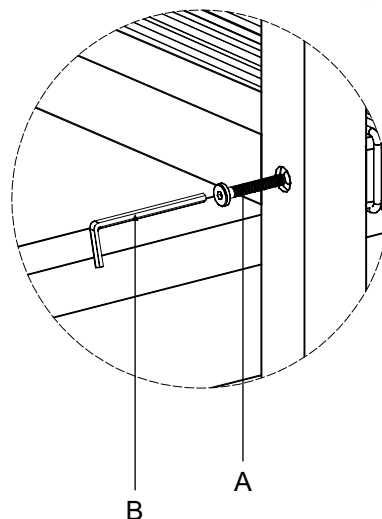
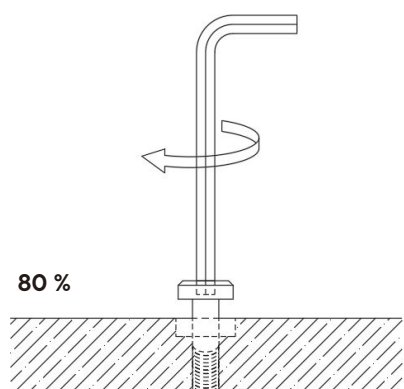
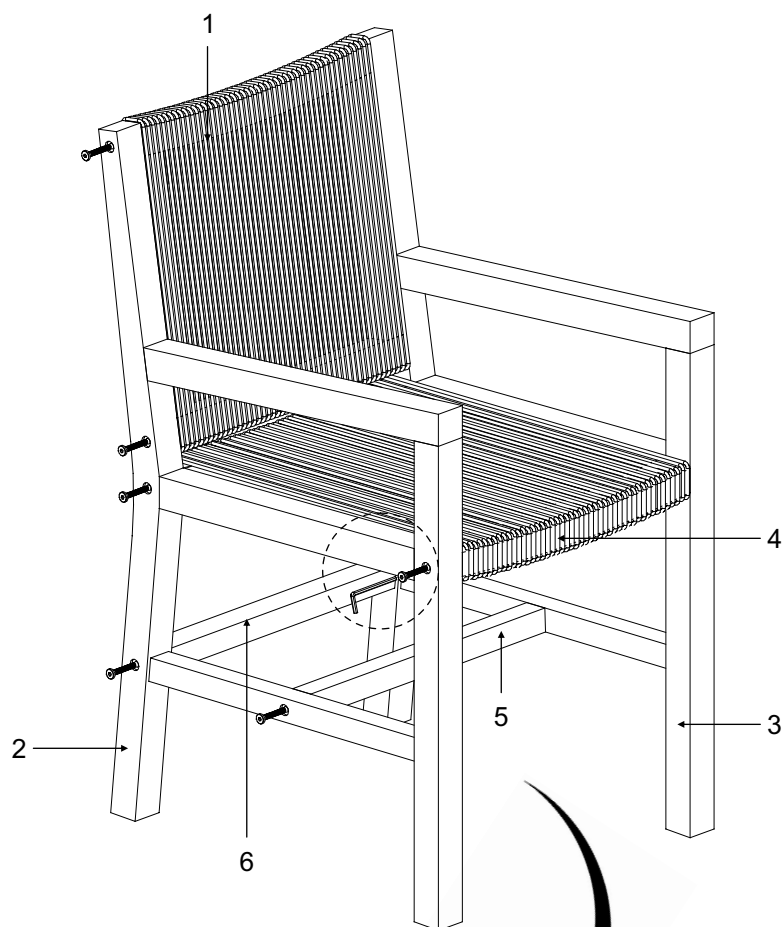
1	Backrest	x1
2	Left Frame	x1
3	Right Frame	x1
4	Seat Base	x1
5	Leg Support Front	x1
6	Leg Support Back	x1

## HARDWARE

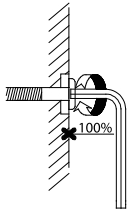
A	Bolt M6 x 35 mm	x6
---	-----------------	----

## TOOLS

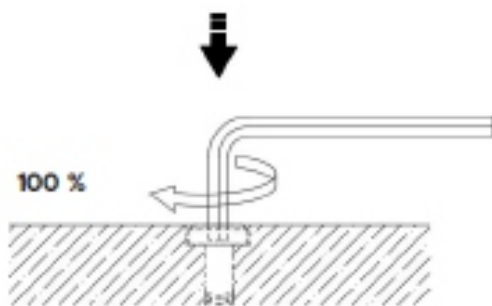
B	Allen Key	x1
---	-----------	----



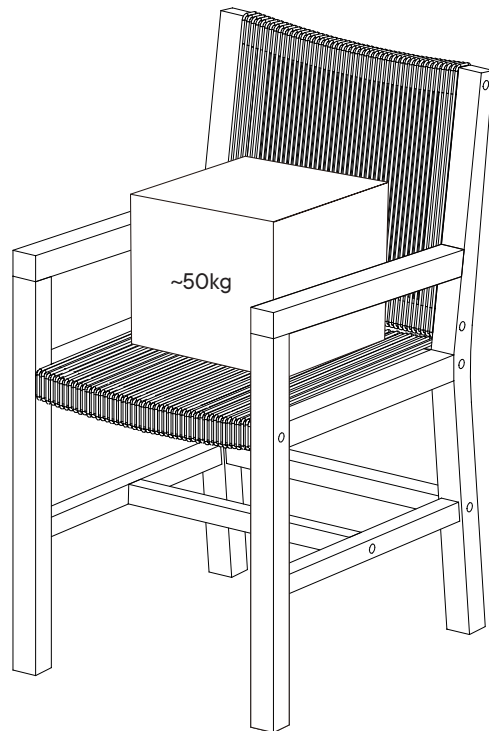
# Step 4



**NOTE :** To assist with leveling the chair, place a heavy object (~50kg) or have an adult sit on the Seat Frame (4) to pressure the stool for leveling and fully tighten all bolts with Allen Key (B) to secure all legs.



**Note : Fully tighten all bolts**



# Step 5

## COMPONENTS

1	Backrest	x1
2	Left Frame	x1
3	Right Frame	x1
4	Seat Base	x1
5	Leg Support Front	x1
6	Leg Support Back	x1

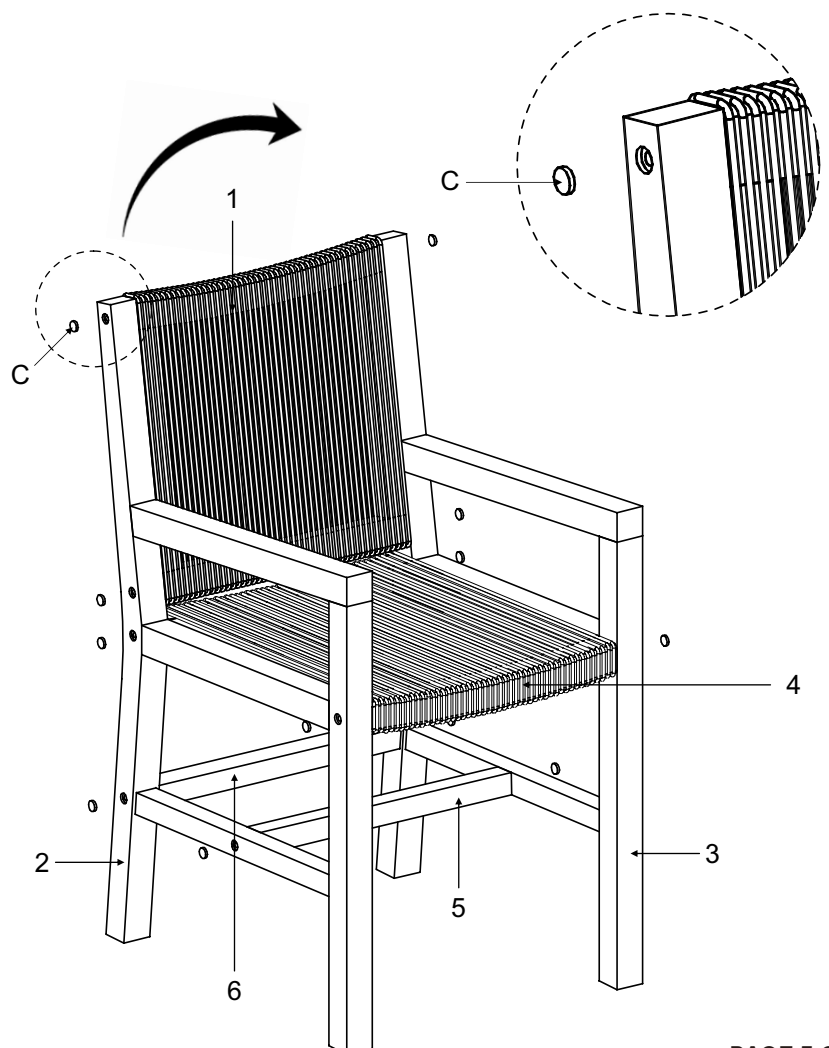
## HARDWARE

C	Wooden Plug	x12
---	-------------	-----

For a polished aesthetic, optional screw hole plugs are included. These can be removed with a flat tool for future adjustments.

Alternatively, screws can be left exposed for easier access during assembly or future maintenance.

**Note:** Use a hammer or mallet to secure the wooden plug.



# Great job!

Your Armchair assembly is complete

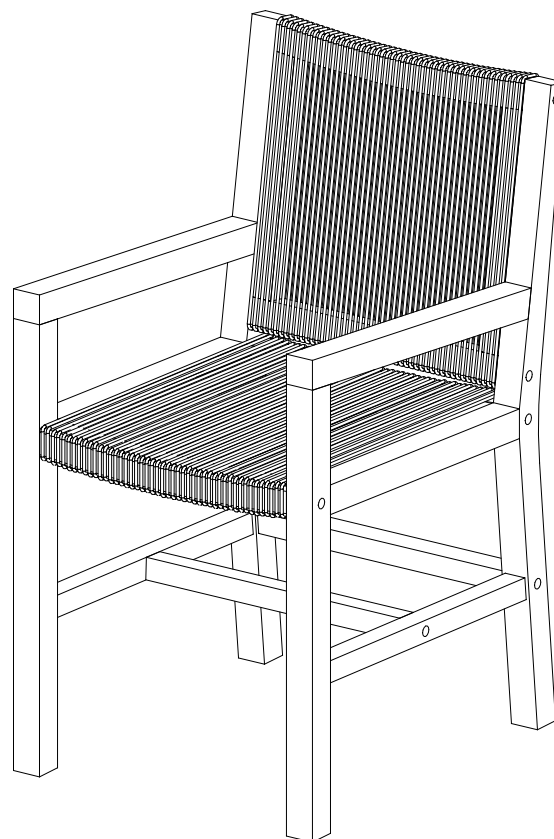
## ♥ CARING FOR YOUR ITEM

Depending on use, it may be necessary to tighten the hardware from time to time, so please save the tools that have been provided.

Not contract grade.

Clean using a non-abrasive cloth and a mild cleaner.

Retain the rich wood color by occasionally sanding lightly and applying a teak cleaner and protectant. The oils nourish and help restore the original look.



## CONNECT WITH US!

Tag us @modway\_furniture and #modway for a chance to be featured.