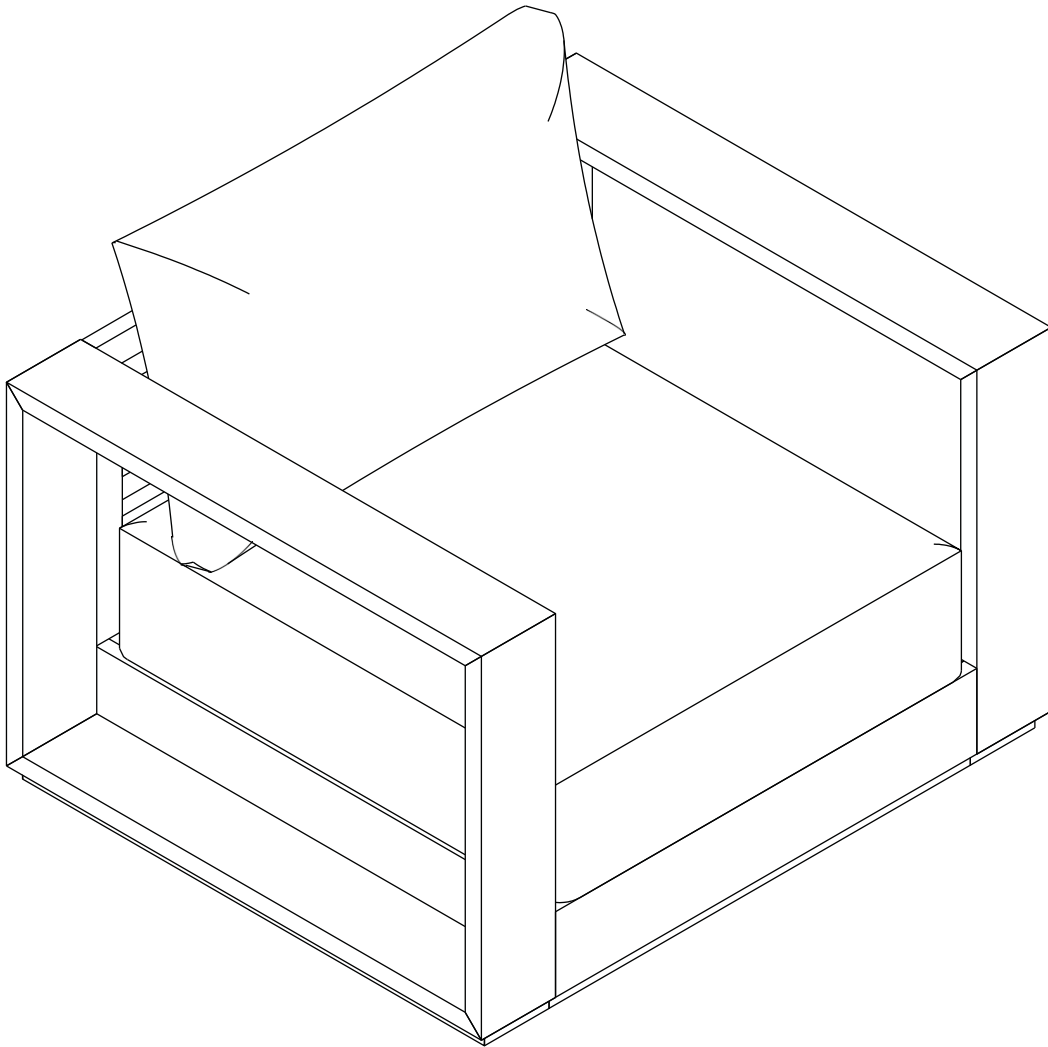


# ASSEMBLY INSTRUCTIONS

# EEI-6782

V0.09.12.23



Questions? Contact us!

609.256.9000 • [cs@modway.com](mailto:cs@modway.com)  
[www.modway.com](http://www.modway.com)

**\*modway**

# Let's get started!

\*modway



Read through all of the instructions before starting



Care instructions are listed in the last step of this manual



Approx. 30 minutes assembly time



Make sure you have all parts and components before discarding any packing materials



2 people recommended for assembly

Only use hand tools to assemble this item. Do not use power tools. Do not tighten bolts or screws completely until all hardware is lined up and inserted into the holes.

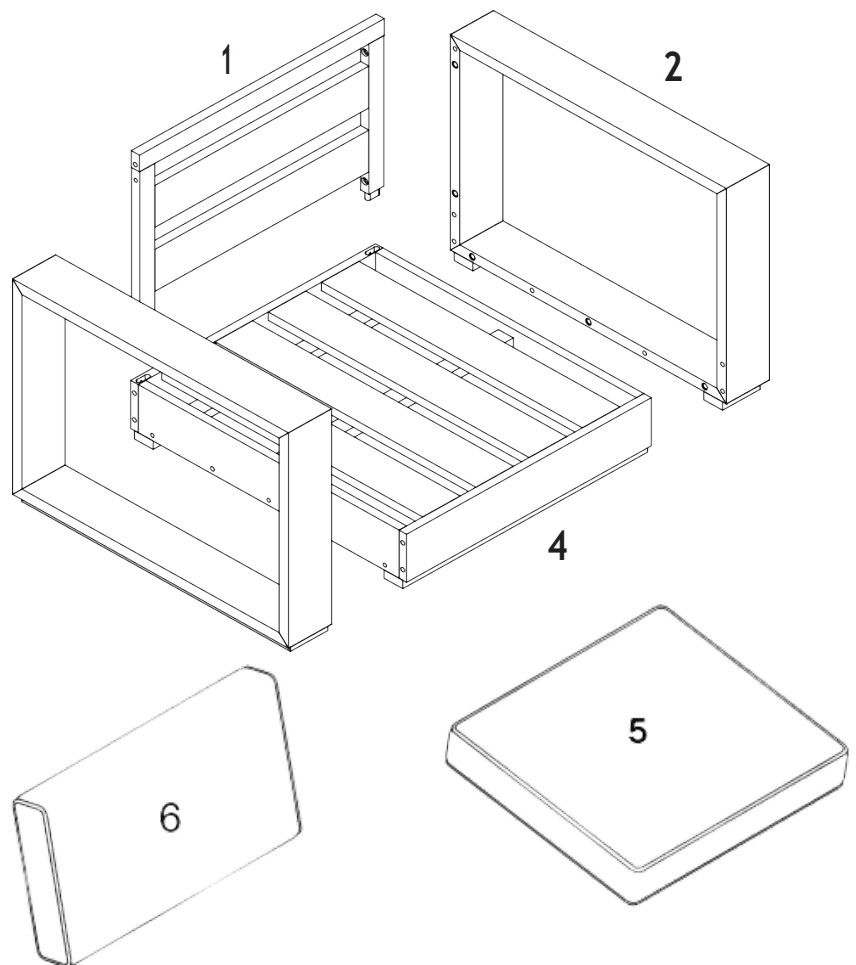
Do not over-tighten screws and bolts to avoid stripping the hardware or cracking the item.

Assemble your item on a flat, carpeted area, with plenty of space to work. This will prevent damage and scratches to your floors or the item while you're assembling the product.

Keep all components and packaging out of reach of children or animals to avoid risk of choking or suffocation.

## Furniture components and Cushion:

1	BackFrame	x1
2	Rightside	x1
3	Leftside	x1
4	Seater	x1
5	Seater cushion	x1
6	Backrest cushion	x1



## Provided hardware:

A		Bolts M8 x 80mm	x4
B		Bolts M8 x 50mm	x6
C		Dowel Ø12x45mm	x14
D		Screws Ø4x15mm	x2
E		Allen Keys	x2

**Wait!**

Missing parts or hardware? Need assistance?

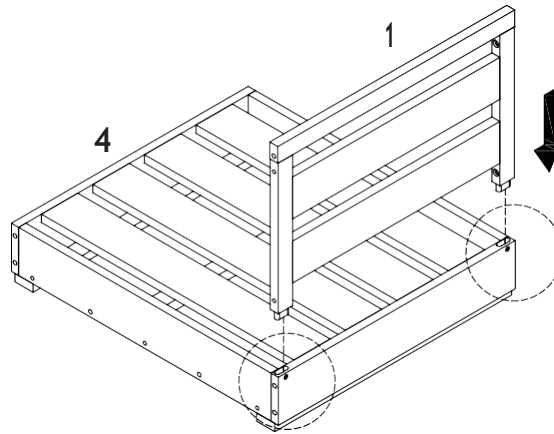
Contact us before returning your item. We're here to help!

609.256.9000 • [cs@modway.com](mailto:cs@modway.com)

# Step 1

## COMPONENTS

- |          |            |    |
|----------|------------|----|
| <b>1</b> | Back Frame | x1 |
| <b>4</b> | Seat       | x1 |



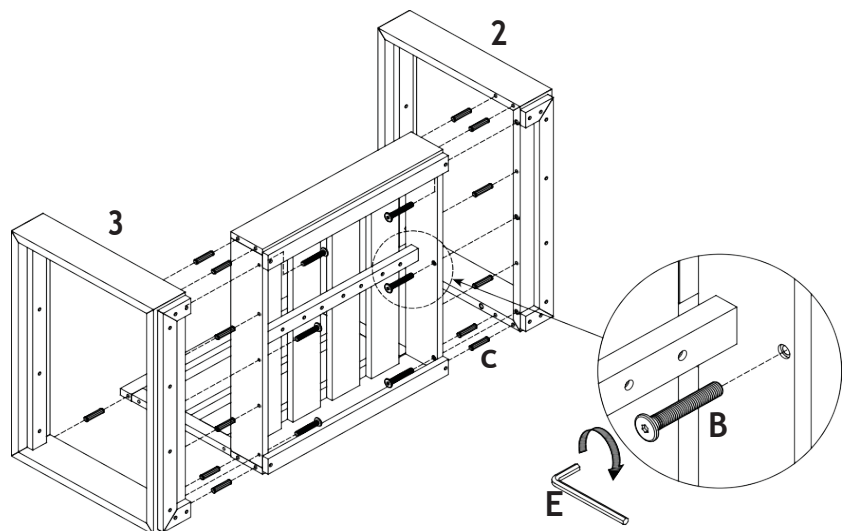
# Step 2

## COMPONENTS

- |          |            |    |
|----------|------------|----|
| <b>2</b> | Right side | x1 |
| <b>3</b> | Left side  | x1 |

## HARDWARE

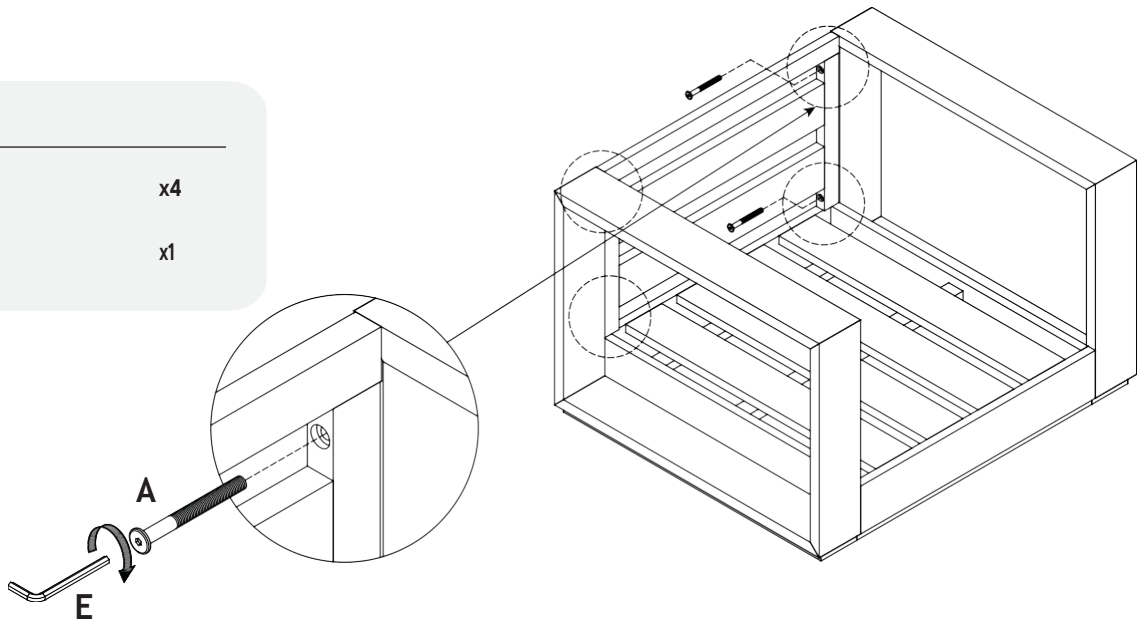
- |          |                |     |
|----------|----------------|-----|
| <b>B</b> | Bolts M8x50mm  | x6  |
| <b>C</b> | Dowel Ø12x45mm | X14 |
| <b>E</b> | Allen Key      | x1  |



## Step 3

### HARDWARE

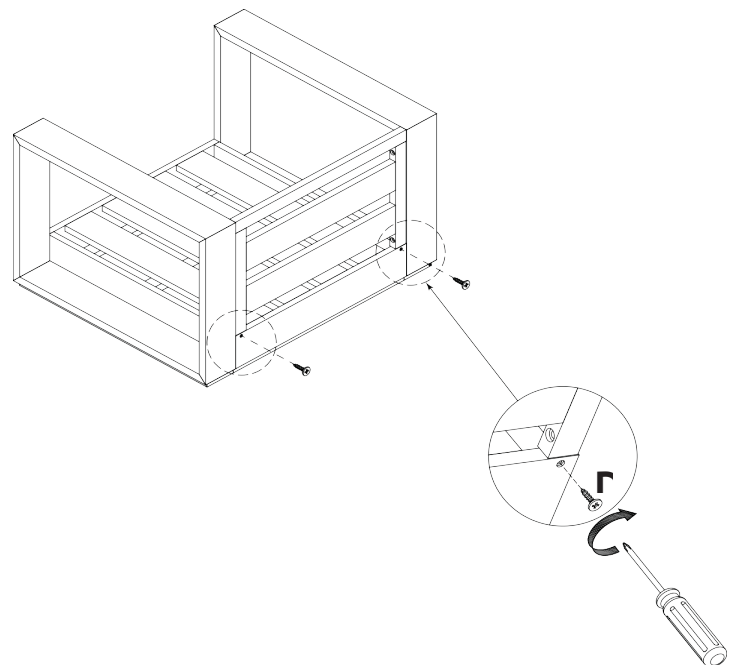
- A** Bolts M8x80mm x4
- E** Allen Key x1



## Step 4

### HARDWARE

- C** x2



# Great job!

Your new Armchair is complete.



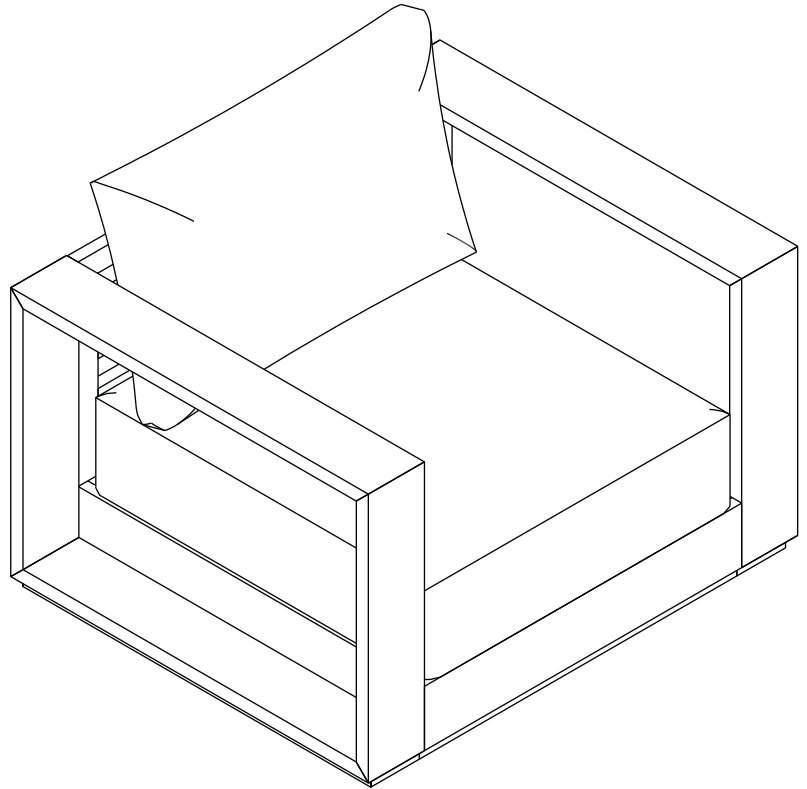
## CARING FOR YOUR ITEM




Depending on use, it may be necessary to tighten the hardware from time to time, so please save the tools that have been provided.

Not contract grade.

Clean using a non-abrasive cloth and a mild cleaner.

Retain the rich wood color by occasionally sanding lightly and applying a teak cleaner and protectant. The oils nourish and help restore the original look.



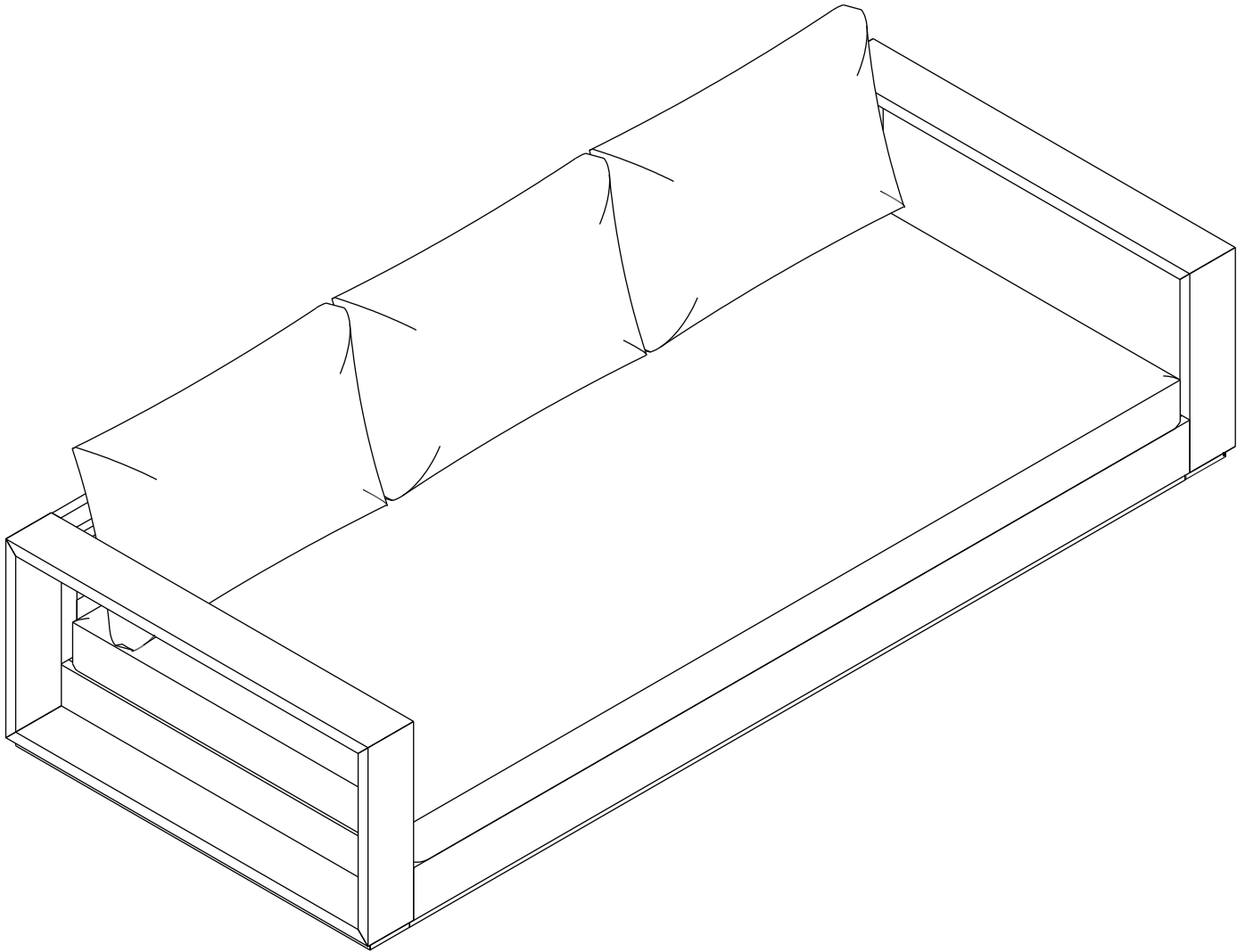
CONNECT WITH US!   

Tag us @modway\_furniture and #modway for a chance to be featured.

# ASSEMBLY INSTRUCTIONS

# EEI-6784

V0.09.12.23



Questions? Contact us!

609.256.9000 • [cs@modway.com](mailto:cs@modway.com)

[www.modway.com](http://www.modway.com)

**\*modway**



Read through all of the instructions before starting



Care instructions are listed in the last step of this manual



Approx. 30 minutes assembly time



Make sure you have all parts and components before discarding any packing materials



2 people recommended for assembly

Only use hand tools to assemble this item. Do not use power tools. Do not tighten bolts or screws completely until all hardware is lined up and inserted into the holes.

Do not over-tighten screws and bolts to avoid stripping the hardware or cracking the item.








Assemble your item on a flat, carpeted area, with plenty of space to work. This will prevent damage and scratches to your floors or the item while you're assembling the product.

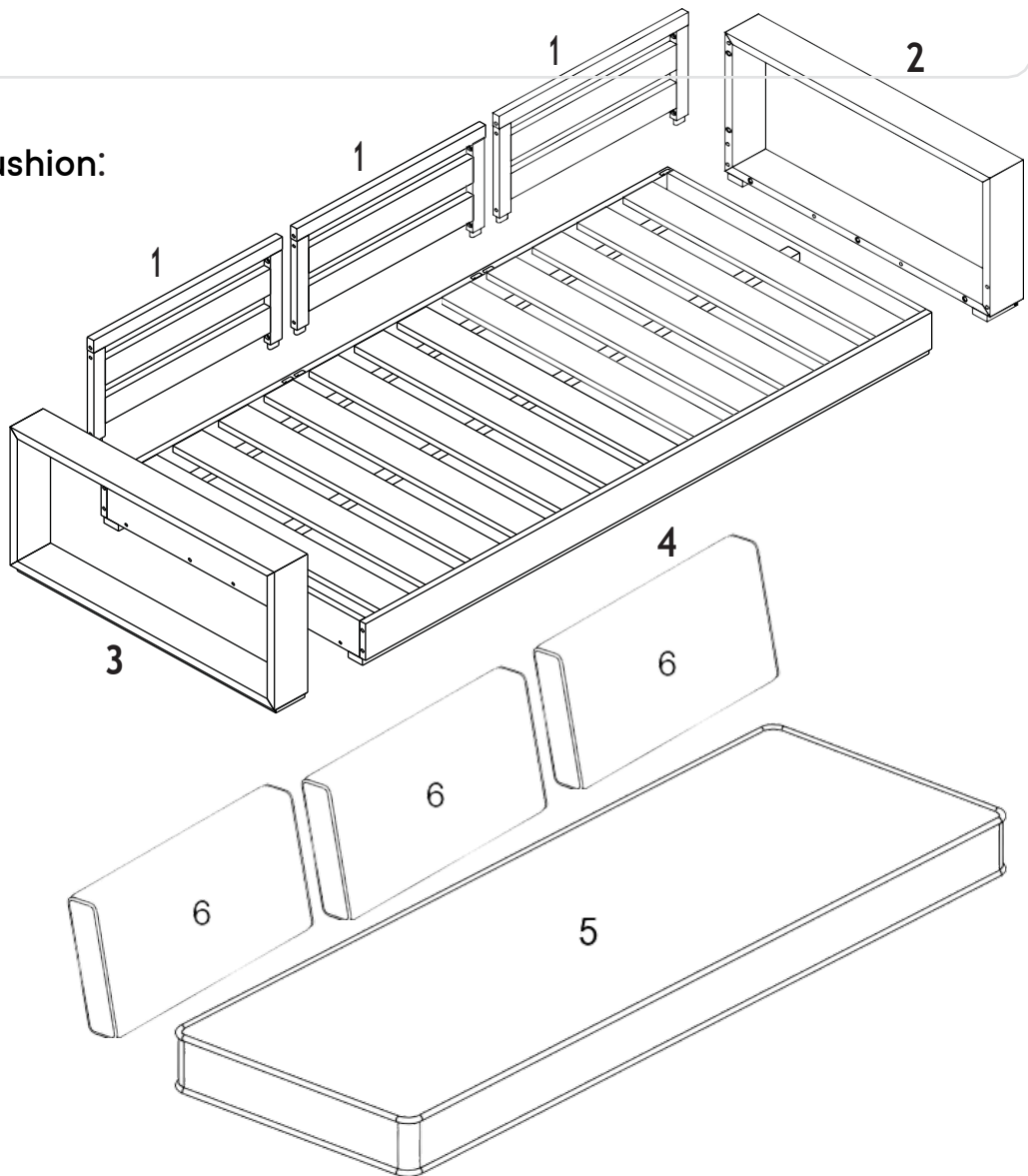
Keep all components and packaging out of reach of children or animals to avoid risk of choking or suffocation.

## Furniture components and Cushion:

1	Back Frame	x3
2	Right side	x1
3	Left side	x1
4	Seater	x1
5	Seat cushion	x1
6	Backrest cushion	x3

## Provided hardware:

A		Bolts M8x80mm	x4
B		Bolts M8x50mm	x6
C		Dowel Ø12x45mm	x16
D		Screws Ø4x15mm	x6
E		Bolts M8x90mm	x4
F		Ecuandbolts M8x18mm	x4
G		Allen Keys	x2



**Wait!**

Missing parts or hardware? Need assistance?

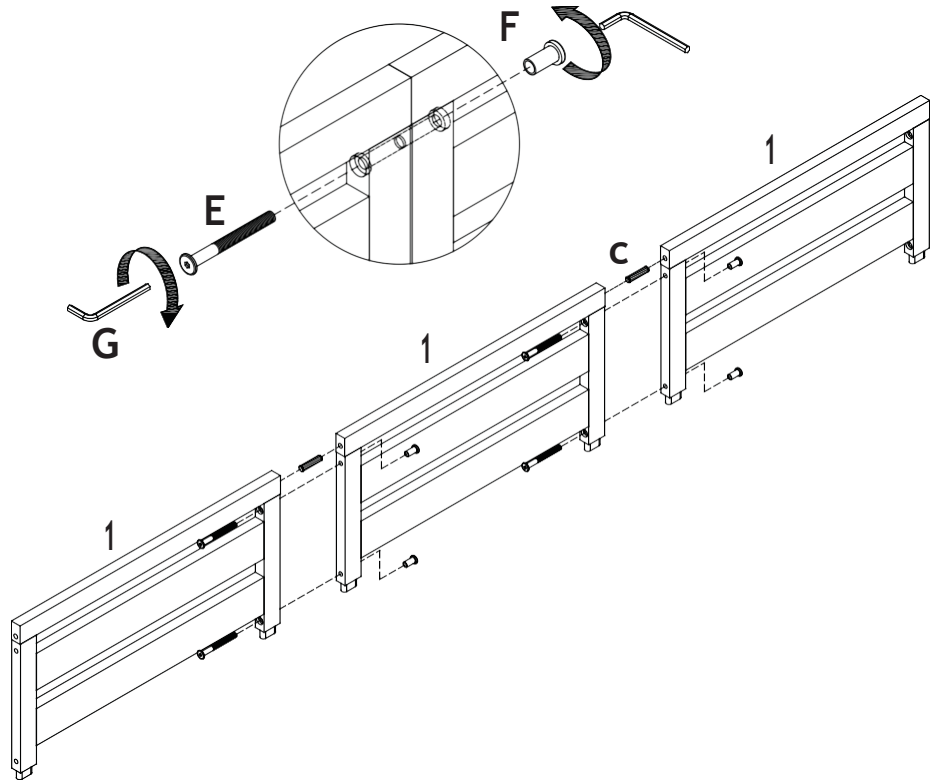
Contact us before returning your item. We're here to help!

609.256.9000 • [cs@modway.com](mailto:cs@modway.com)

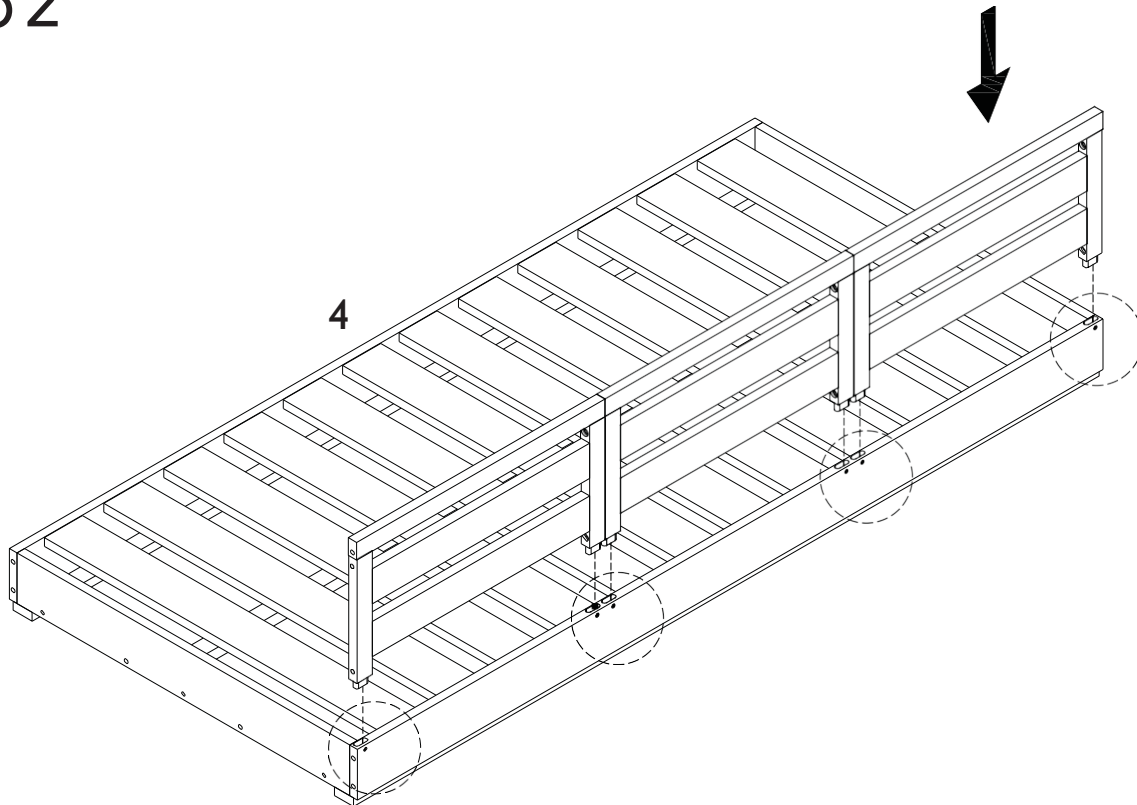
# Step 1

## COMPONENTS AND HARDWARE

- |   |                      |    |
|---|----------------------|----|
| 1 | Back Frame           | x3 |
| C | Dowel Ø12x45mm       | x2 |
| E | Bolts M8x90mm        | x4 |
| F | Ecuand bolts M8x18mm | x4 |
| G | Allen Keys           | x2 |



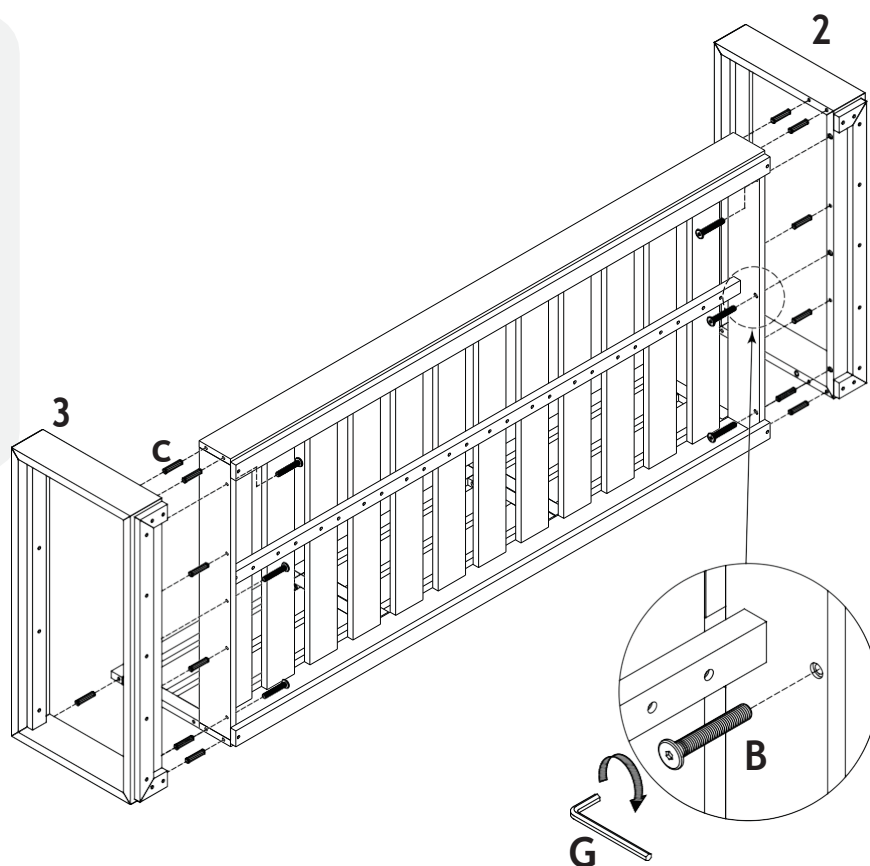
# Step 2



# Step 3

## HARDWARE

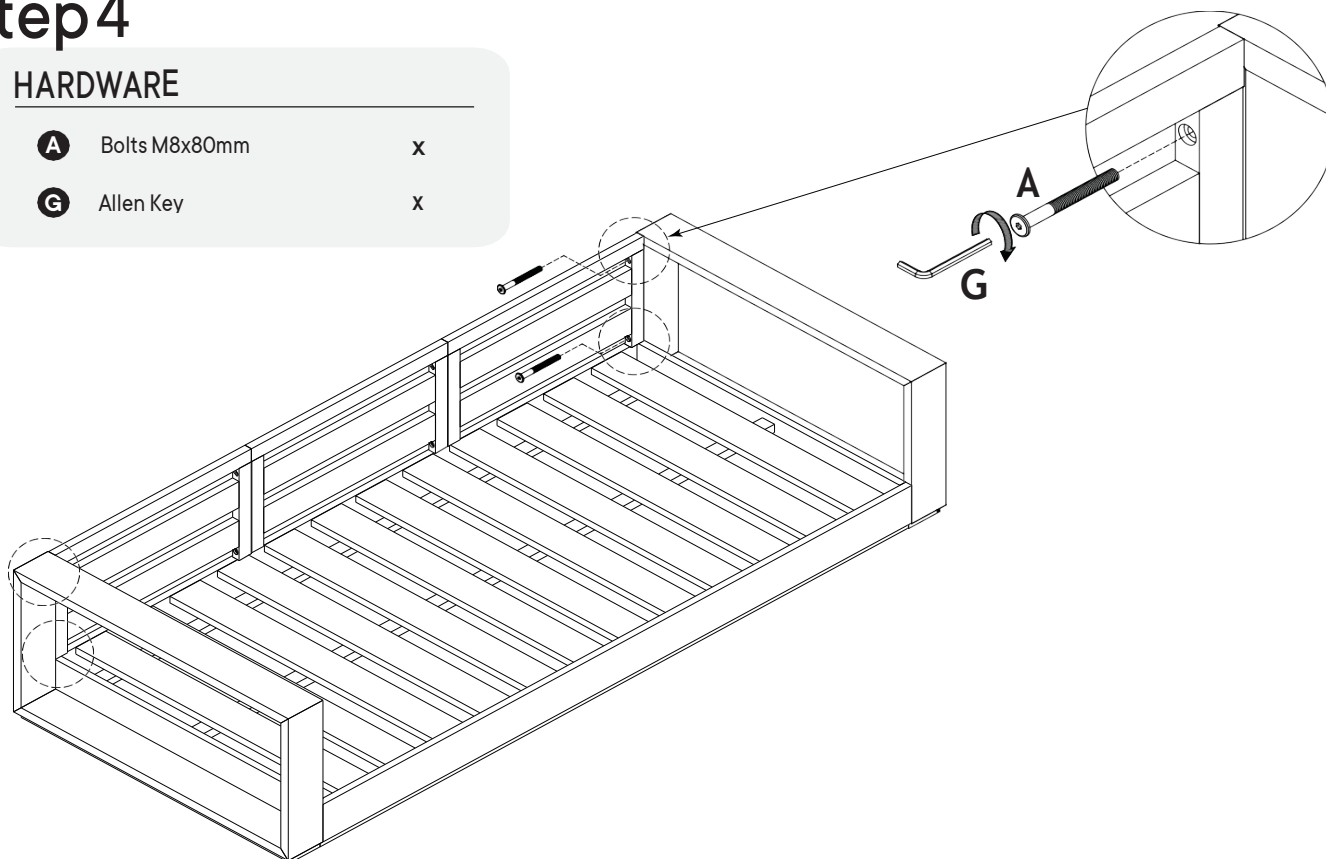
- 2** Rightside x1
- 3** Left side x1
- B** Bolts M8x50mm x6
- C** Dowel Ø12x45mm x14
- G** Allen Key x1



# Step 4

## HARDWARE

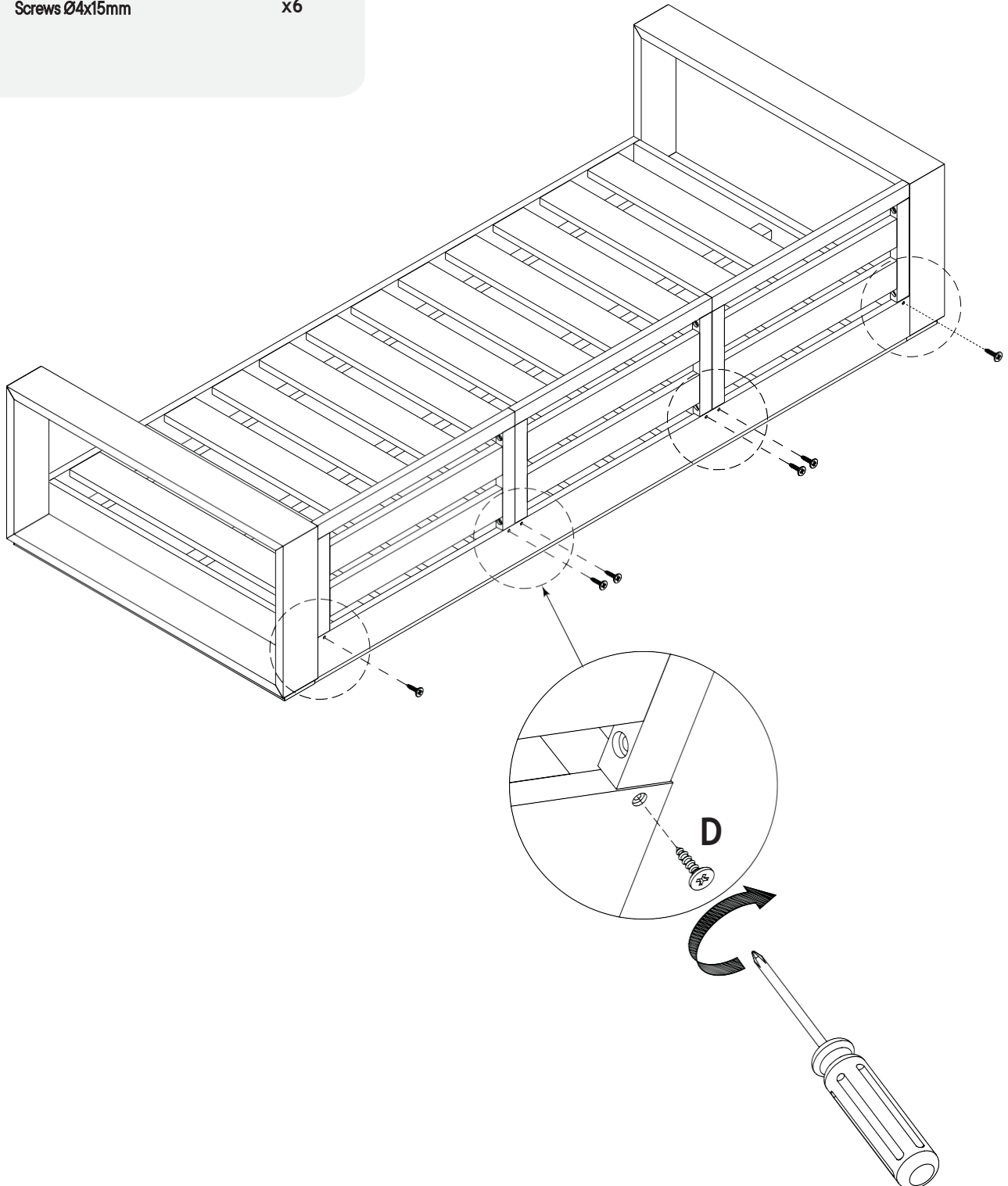
- A** Bolts M8x80mm x
- G** Allen Key x



# Step 5

## HARDWARE

**D** Screws  $\varnothing 4 \times 15 \text{mm}$  x6



# Great job!

Your new 3 seater Sofa is complete.



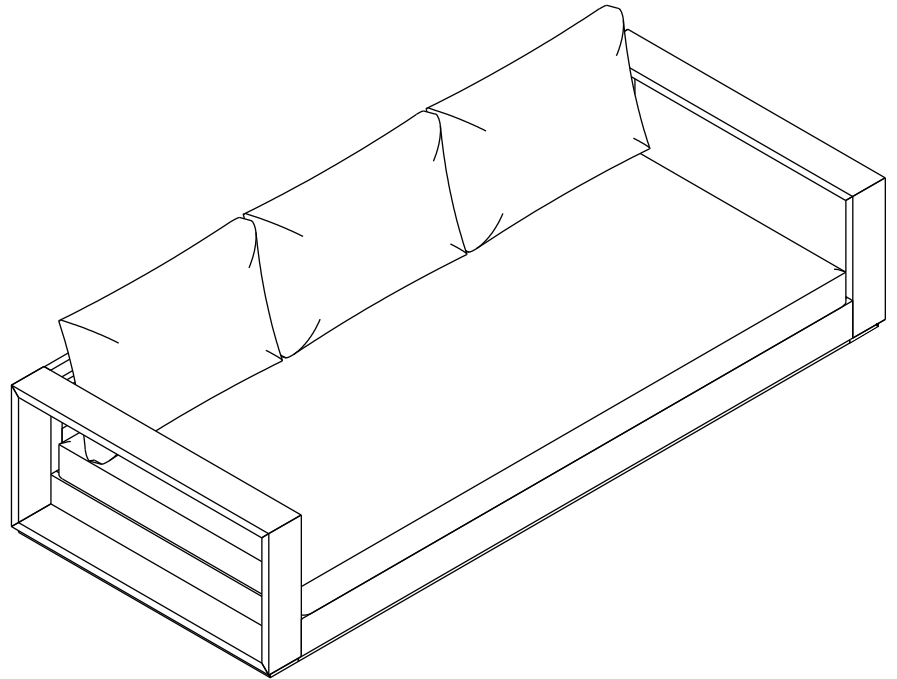
## CARING FOR YOUR ITEM

Depending on use, it may be necessary to tighten the hardware from time to time, so please save the tools that have been provided.

Not contract grade.

Clean using a non-abrasive cloth and a mild cleaner.

Retain the rich wood color by occasionally sanding lightly and applying a teak cleaner and protectant. The oils nourish and help restore the original look.



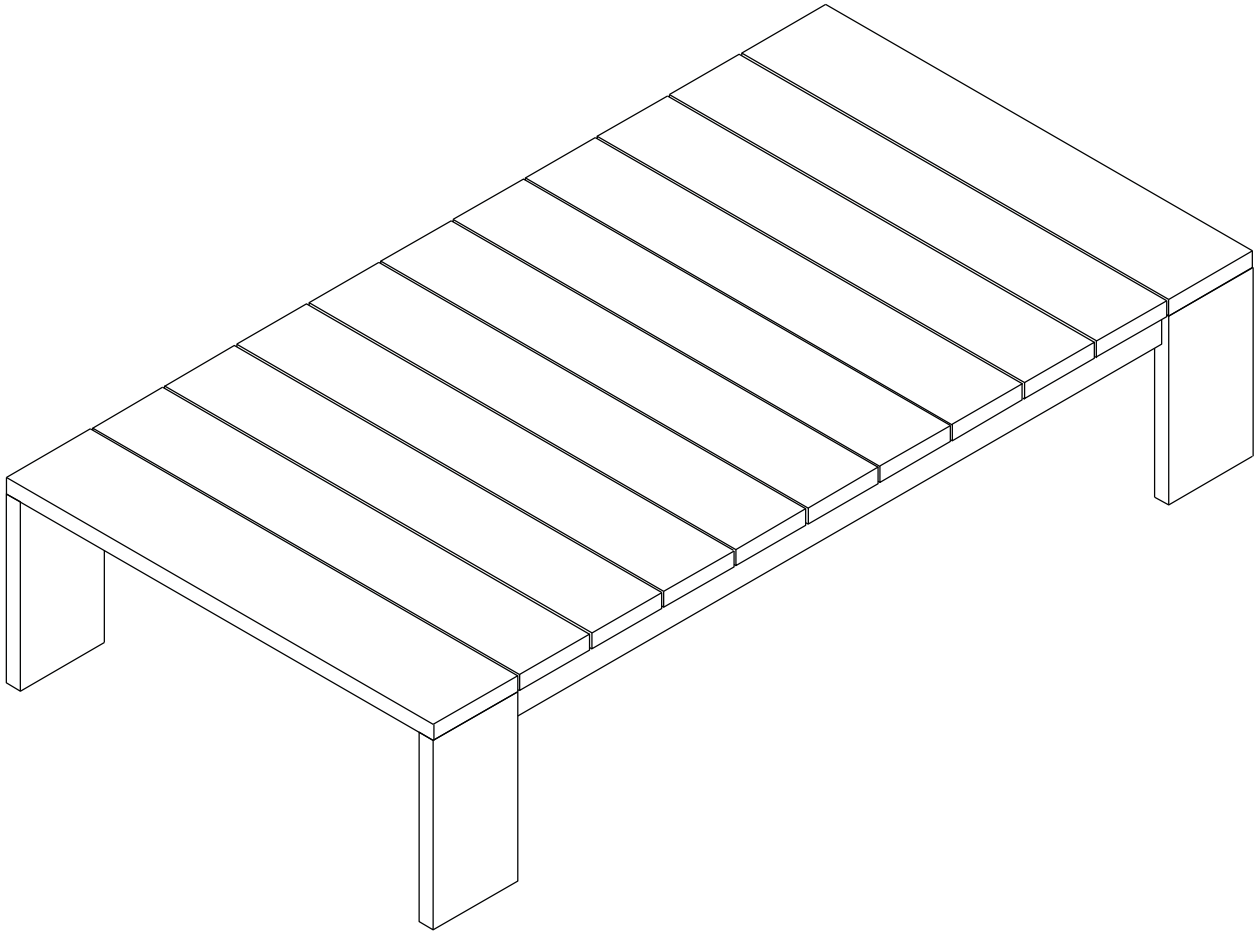
CONNECT WITH US!   

Tag us @modway\_furniture and #modway for a chance to be featured.

# ASSEMBLY INSTRUCTIONS

# EEI-6786

V0.09.12.23



Questions? Contact us!

609.256.9000 • [cs@modway.com](mailto:cs@modway.com)  
[www.modway.com](http://www.modway.com)

**\*modway**

# Let's get started!

\*modway



Read through all of the instructions before starting



Care instructions are listed in the last step of this manual



Approx. 30 minutes assembly time



Make sure you have all parts and components before discarding any packing materials



2 people recommended for assembly

Only use hand tools to assemble this item. Do not use power tools. Do not tighten bolts or screws completely until all hardware is lined up and inserted into the holes.

Do not over-tighten screws and bolts to avoid stripping the hardware or cracking the item.

Assemble your item on a flat, carpeted area, with plenty of space to work. This will prevent damage and scratches to your floors or the item while you're assembling the product.

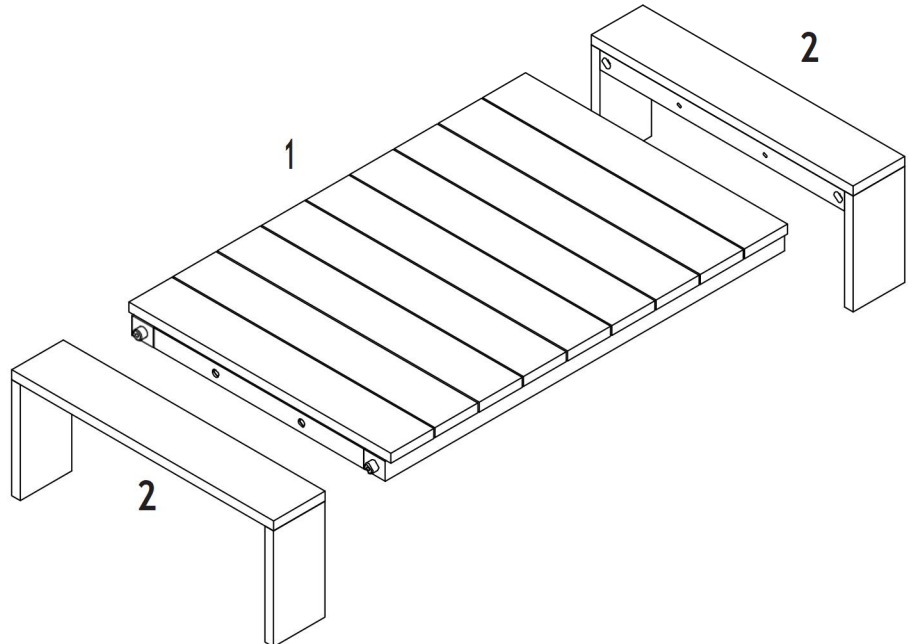
Keep all components and packaging out of reach of children or animals to avoid risk of choking or suffocation.

## Furniture components:

1	Table top	x1
2	Legs frame	x2

## Provided hardware:

A		Bolts M8x45mm	x4
B		Screws Ø6.5x60mm	x4
C		Allen Key 4x120mm	x1



**Wait!**

Missing parts or hardware? Need assistance?

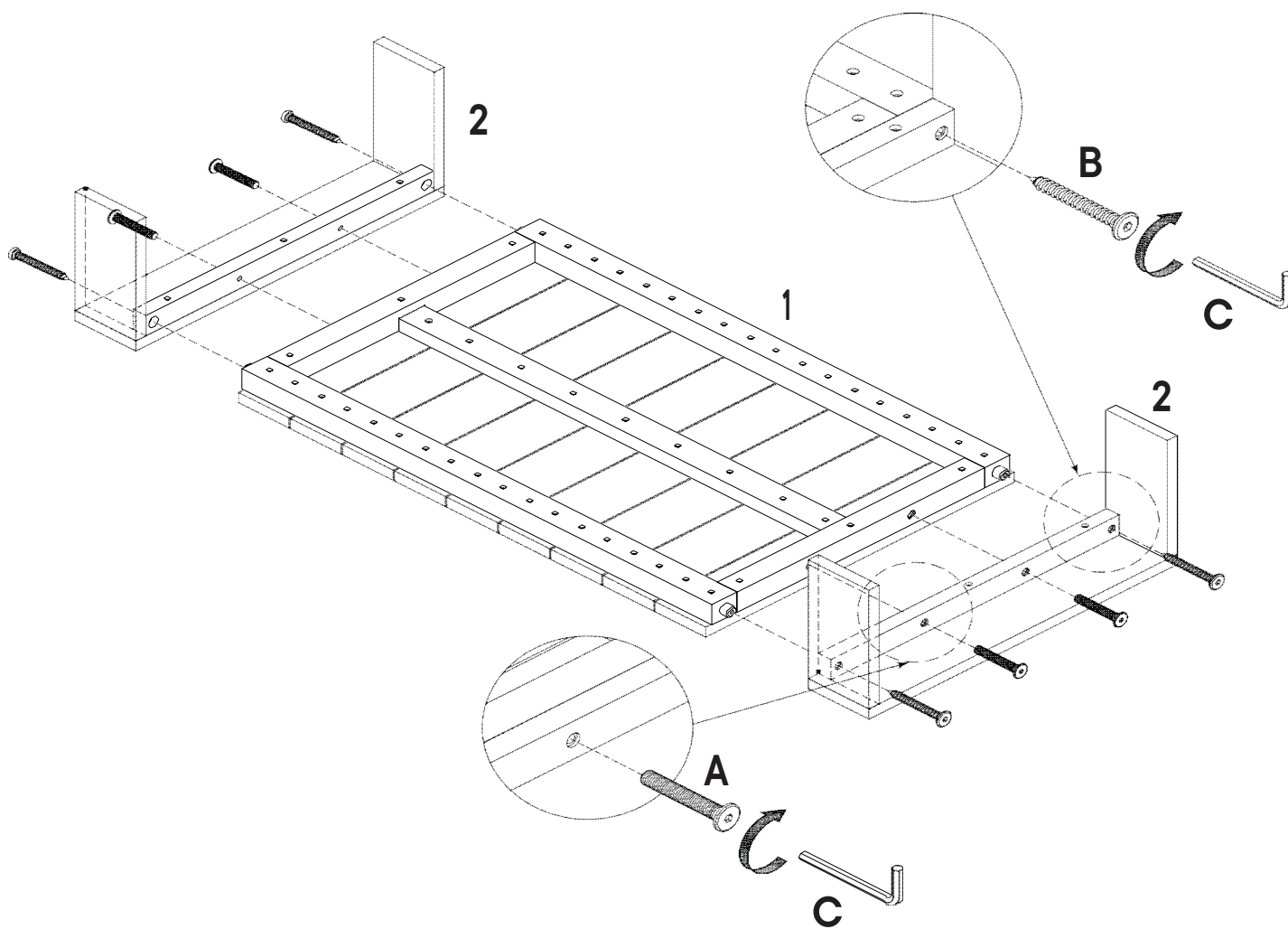
Contact us before returning your item. We're here to help!

609.256.9000 • [cs@modway.com](mailto:cs@modway.com)

# Step 1

## COMPONENTS & HARDWARE

1	Tabletop	x1
2	Legs frame	x2
A	Bolts M8x45mm	x4
B	Screws $\varnothing 6.5 \times 60$ mm	x4
C	Allen Key 4x120mm	x1



# Great job!

Your new coffee table is complete.

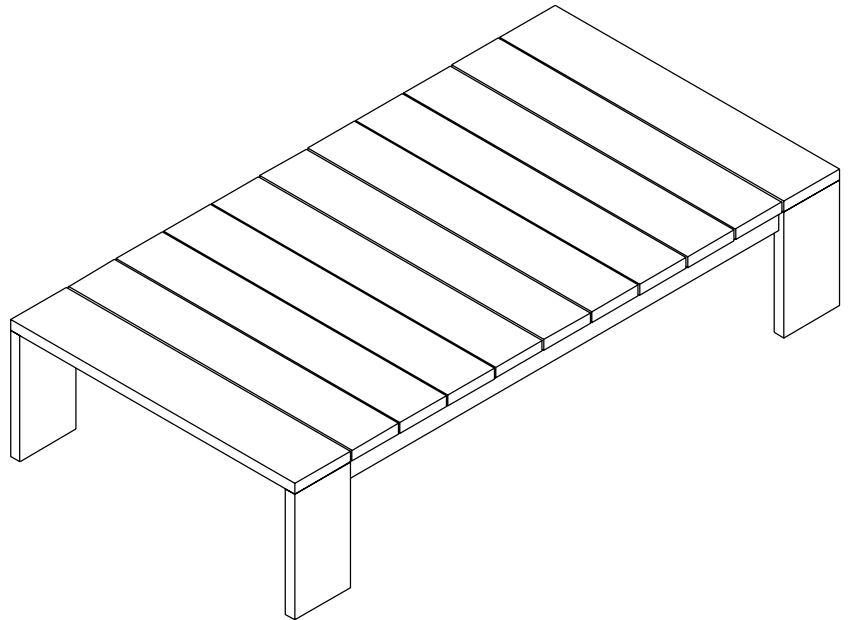
## ♥ CARING FOR YOUR ITEM

Depending on use, it may be necessary to tighten the hardware from time to time, so please save the tools that have been provided.

Not contract grade.

Clean using a non-abrasive cloth and a mild cleaner.

Retain the rich wood color by occasionally sanding lightly and applying a teak cleaner and protectant. The oils nourish and help restore the original look.



CONNECT WITH US!

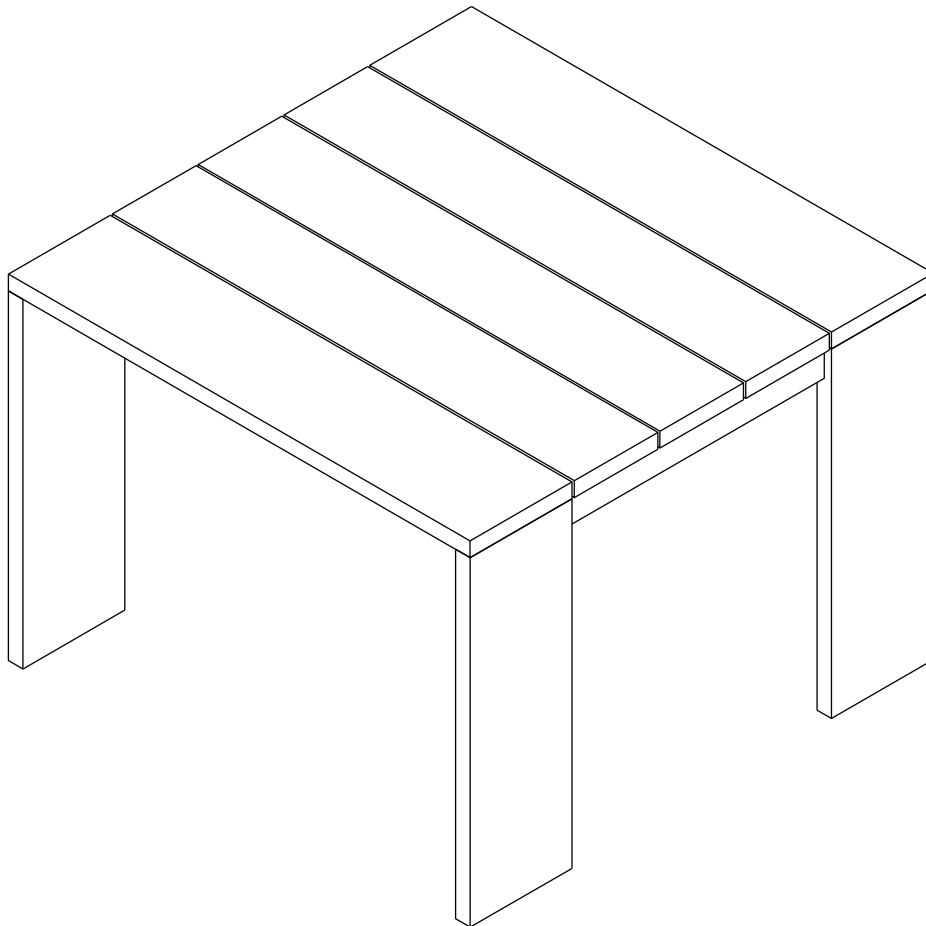


Tag us @modway\_furnitureand #modway for a chance to be featured.

# ASSEMBLY INSTRUCTIONS

# EEI-6787

V0.09.12.23



**Questions? Contact us!**

609.256.9000 • [cs@modway.com](mailto:cs@modway.com)  
[www.modway.com](http://www.modway.com)

**\*modway**



Read through all of the instructions before starting



Care instructions are listed in the last step of this manual



Approx. 15 minutes assembly time



Make sure you have all parts and components before discarding any packing materials



2 people recommended for assembly

Only use hand tools to assemble this item. Do not use power tools. Do not tighten bolts or screws completely until all hardware is lined up and inserted into the holes.

Do not over-tighten screws and bolts to avoid stripping the hardware or cracking the item.




Assemble your item on a flat, carpeted area, with plenty of space to work. This will prevent damage and scratches to your floors or the item while you're assembling the product.

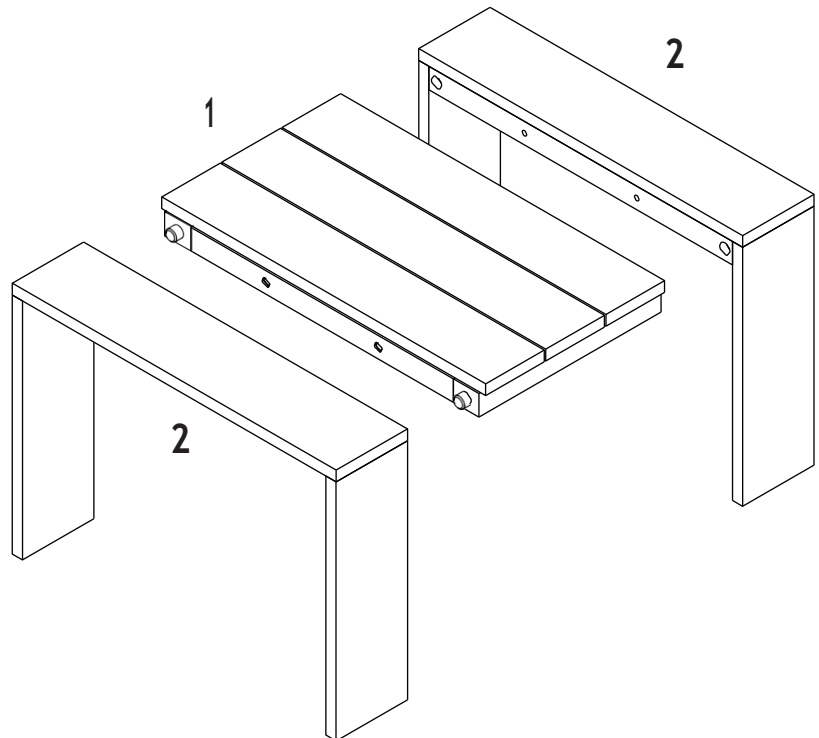
Keep all components and packaging out of reach of children or animals to avoid risk of choking or suffocation.

## Furniture components:

1	Table top	x1
2	Legsframe	x2

## Provided hardware:

A		Bolts M8x45mm	x4
B		Screws Ø6.5x60mm	x4
C		Allen Key 4x120mm	x1



**Wait!**

Missing parts or hardware? Need assistance?

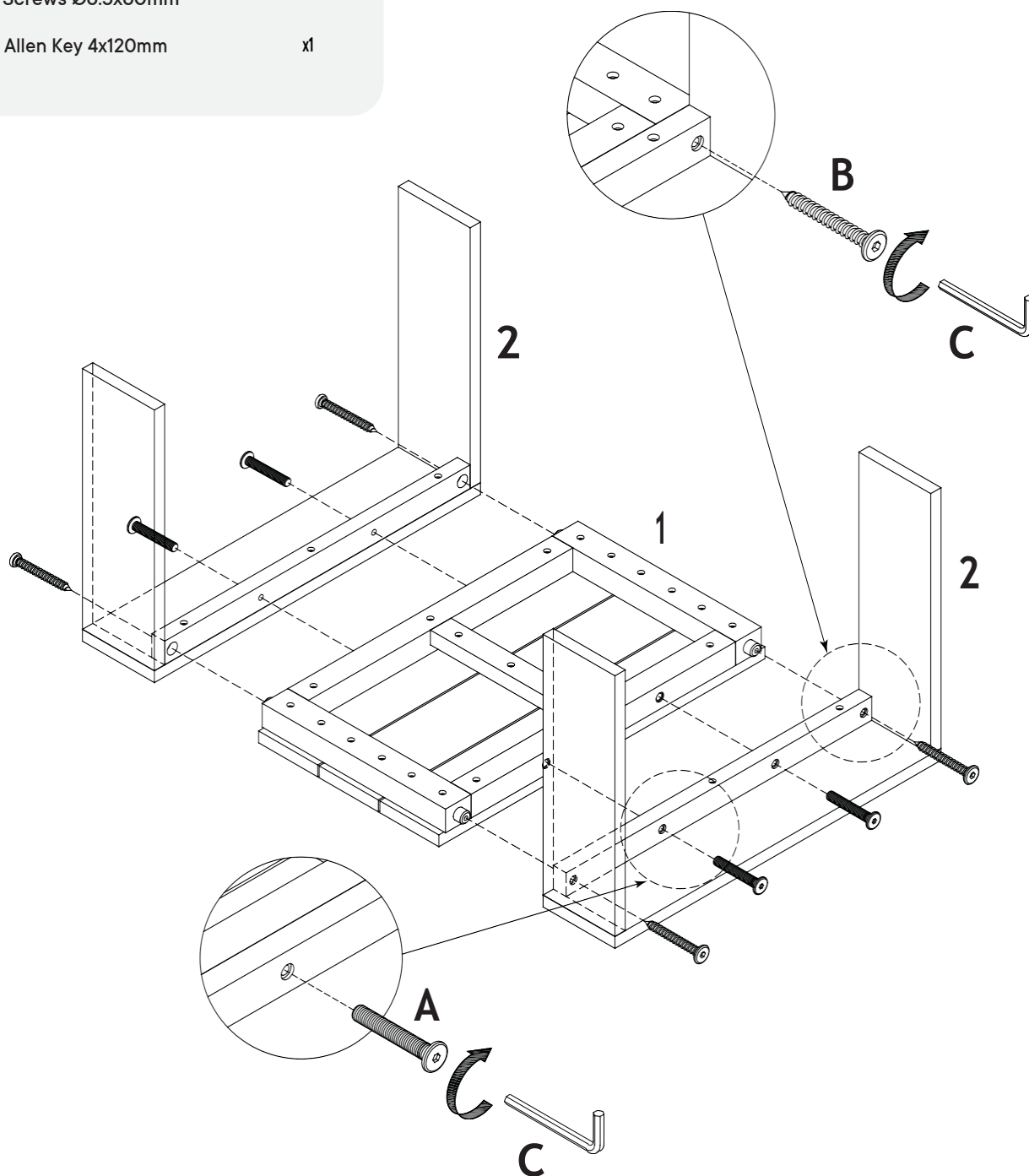
Contact us before returning your item. We're here to help!

609.256.9000 • [cs@modway.com](mailto:cs@modway.com)

# Step 1

## COMPONENTS & HARDWARE

1	Table top	x1
2	Legs frame	x2
A	Bolts M8x45mm	x4
B	Screws $\varnothing 6.5 \times 60$ mm	x4
C	Allen Key 4x120mm	x1



# Great job!

Your new side table is complete.

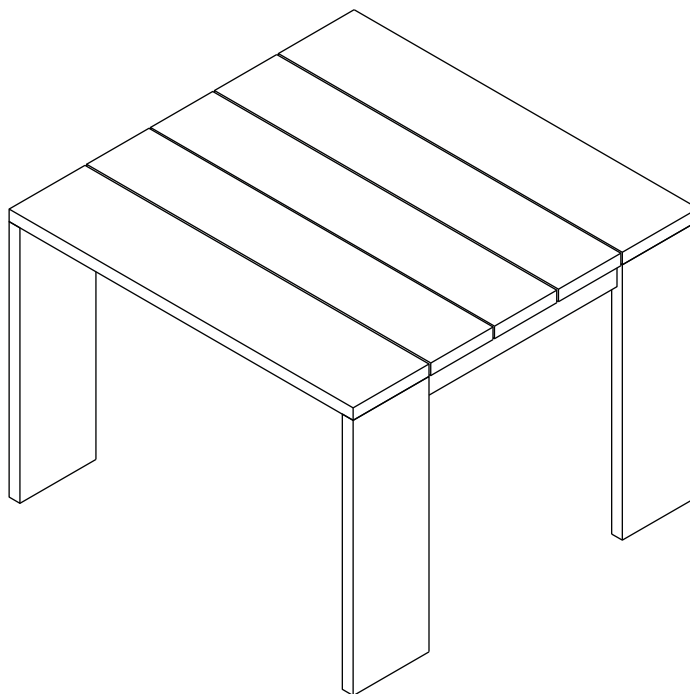
## ♡ CARING FOR YOUR ITEM

Depending on use, it may be necessary to tighten the hardware from time to time, so please save the tools that have been provided.

Not contract grade.

Clean using a non-abrasive cloth and a mild cleaner.

Retain the rich wood color by occasionally sanding lightly and applying a teak cleaner and protectant. The oils nourish and help restore the original look.



CONNECT WITH US!



Tag us [@modway\\_furniture](#) and [#modway](#) for a chance to be featured.