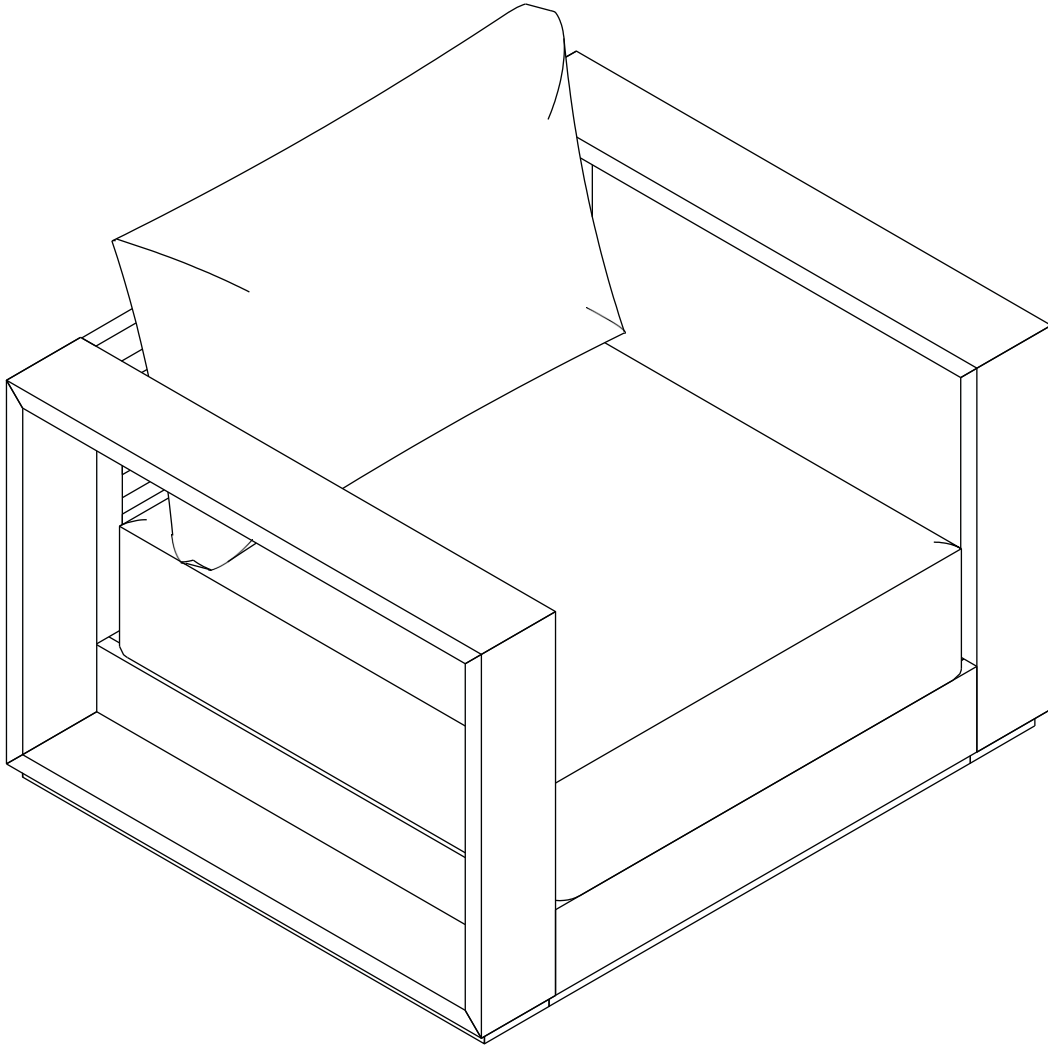


ASSEMBLY INSTRUCTIONS

EEI-6782

V0.09.12.23



Questions? Contact us!

609.256.9000 • cs@modway.com
www.modway.com

***modway**

Let's get started!

*modway



Read through all of the instructions before starting



Care instructions are listed in the last step of this manual



Approx. 30 minutes assembly time



Make sure you have all parts and components before discarding any packing materials



2 people recommended for assembly

Only use hand tools to assemble this item. Do not use power tools. Do not tighten bolts or screws completely until all hardware is lined up and inserted into the holes.

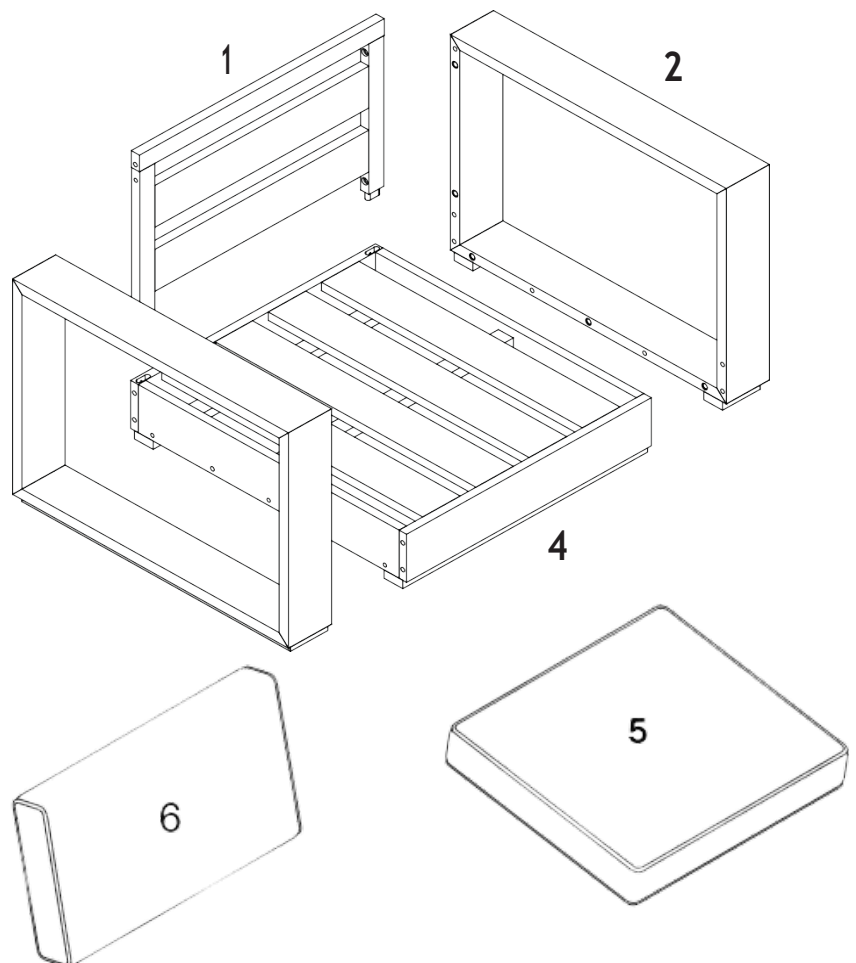
Do not over-tighten screws and bolts to avoid stripping the hardware or cracking the item.

Assemble your item on a flat, carpeted area, with plenty of space to work. This will prevent damage and scratches to your floors or the item while you're assembling the product.

Keep all components and packaging out of reach of children or animals to avoid risk of choking or suffocation.

Furniture components and Cushion:

1	BackFrame	x1
2	Rightside	x1
3	Leftside	x1
4	Seater	x1
5	Seater cushion	x1
6	Backrest cushion	x1



Provided hardware:

A		Bolts M8 x 80mm	x4
B		Bolts M8 x 50mm	x6
C		Dowel Ø12x45mm	x14
D		Screws Ø4x15mm	x2
E		Allen Keys	x2

Wait!

Missing parts or hardware? Need assistance?

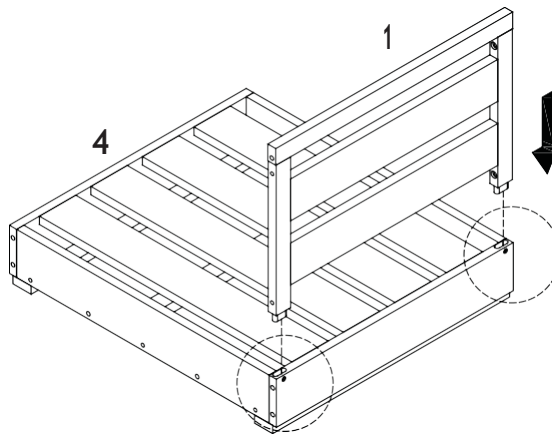
Contact us before returning your item. We're here to help!

609.256.9000 • cs@modway.com

Step 1

COMPONENTS

- | | | |
|----------|------------|----|
| 1 | Back Frame | x1 |
| 4 | Seat | x1 |



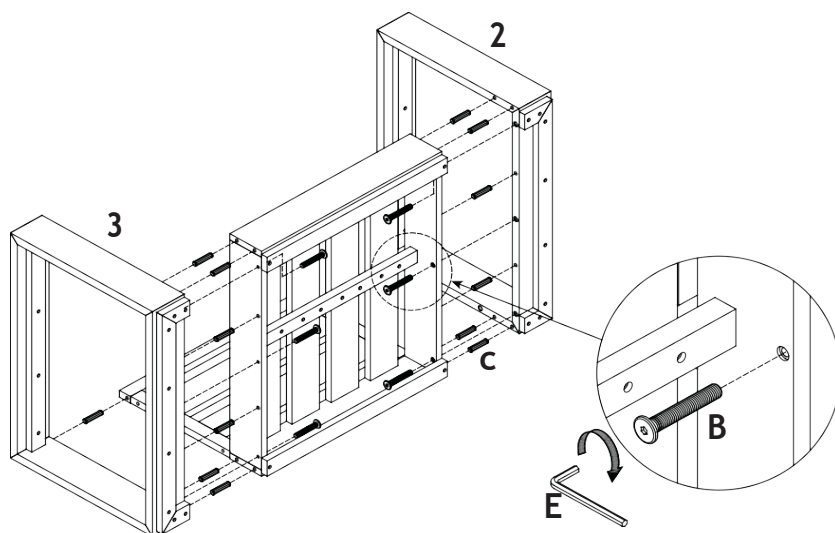
Step 2

COMPONENTS

- | | | |
|----------|------------|----|
| 2 | Right side | x1 |
| 3 | Left side | x1 |

HARDWARE

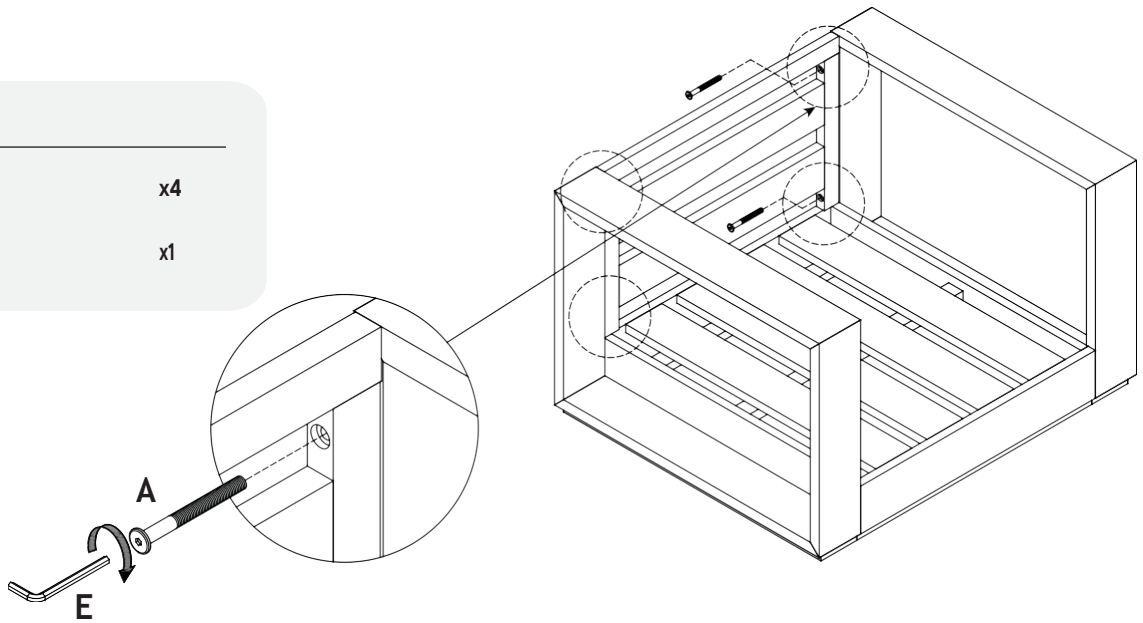
- | | | |
|----------|----------------|-----|
| B | Bolts M8x50mm | x6 |
| C | Dowel Ø12x45mm | X14 |
| E | Allen Key | x1 |



Step 3

HARDWARE

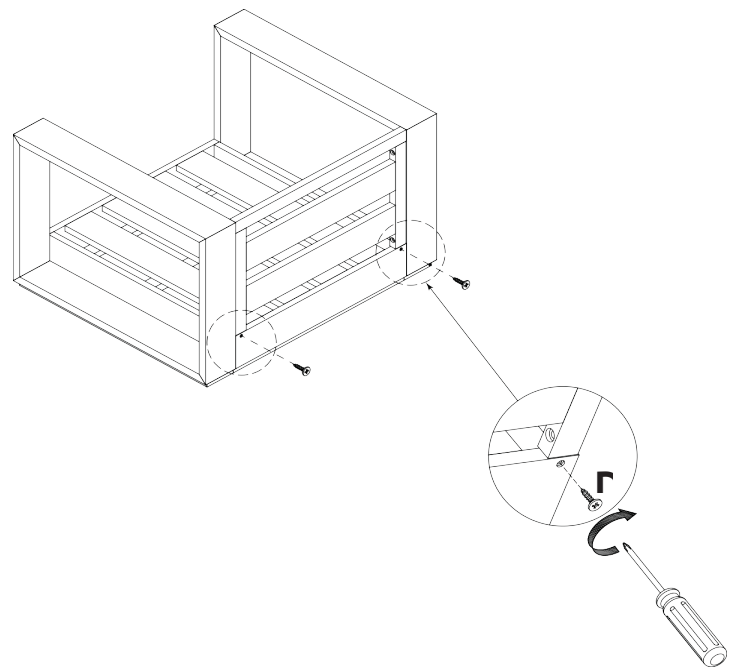
- A** Bolts M8x80mm x4
- E** Allen Key x1



Step 4

HARDWARE

- C** x2



Great job!

Your new Armchair is complete.



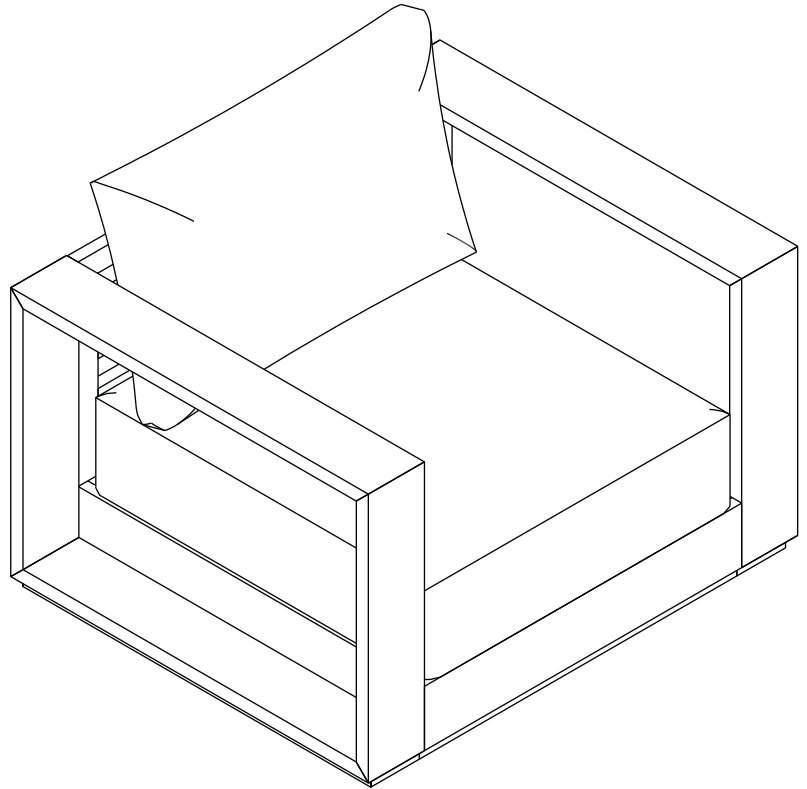
CARING FOR YOUR ITEM




Depending on use, it may be necessary to tighten the hardware from time to time, so please save the tools that have been provided.

Not contract grade.

Clean using a non-abrasive cloth and a mild cleaner.

Retain the rich wood color by occasionally sanding lightly and applying a teak cleaner and protectant. The oils nourish and help restore the original look.



CONNECT WITH US!   

Tag us @modway_furniture and #modway for a chance to be featured.