

ASSEMBLY INSTRUCTIONS

Outdoor 3 Seat Sofa

EI-6784/ V2.01.21.26

modway



Questions? Contact us!
609.256.9000
cs@modway.com

Welcome.

Let's get started.

Before you begin, here are some things to keep in mind:

Assembly will take most people about 30 minutes. Consider having a friend help you!

Only use hand tools to assemble this item. Do not use power tools. Do not tighten bolts or screws completely until all hardware is lined up and inserted into the holes.

Read through all of the instructions before starting. Make sure you have all parts and components before discarding any packing materials.

Do not over-tighten screws and bolts to avoid stripping the hardware or cracking the item

Assemble your item on a flat, carpeted area, with plenty of space to work. This will prevent damage and scratches to your floors or the item while you're assembling the product.

Keep all components and packaging out of reach of children or animals to avoid risk of choking or suffocation.

Care instructions are listed in the last step of this manual.

WAIT!









Missing parts or hardware? Need assistance?

Contact us before returning your item.

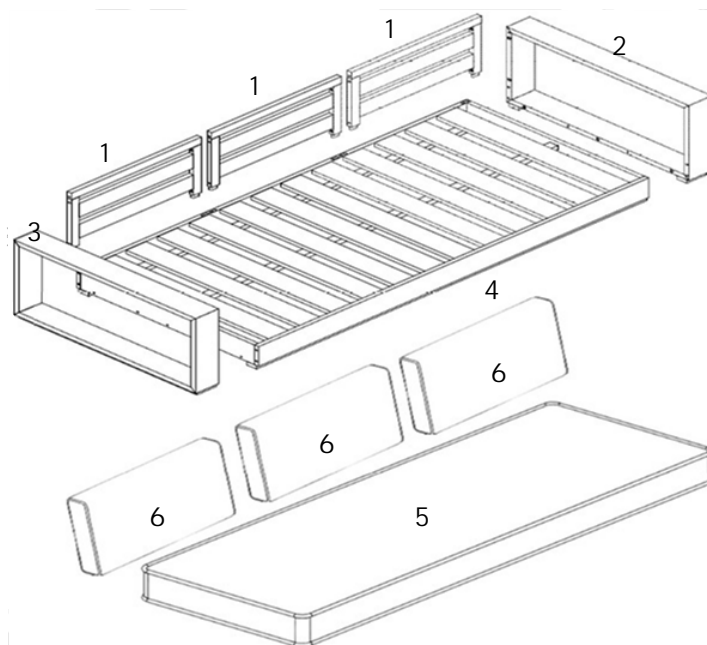
We're here to help!



HARDWARE INCLUDED IN THE BOX:

A.		Bolt M8x80mm	x4
B.		Bolt M8x50mm	x6
C.		Dowel 12x45mm	x16
D.		Screws 4x15mm	x6
E.		Bolt M8x90mm	x4
F.		JCN Nut M8x18mm	x4
G.		Allen Keys	x2
J.		Black rubber washer	x10

FURNITURE COMPONENTS:



1.	Back Frame	x3
2.	Right Arm	x1
3.	Left Arm	x1
4.	Seat Frame	x1
5.	Seat Cushion	x1
6.	Back Cushion	x3

WHAT YOU NEED:



Phillips Head Screwdriver

STEP 01

COMPONENTS

① Back Frame x3

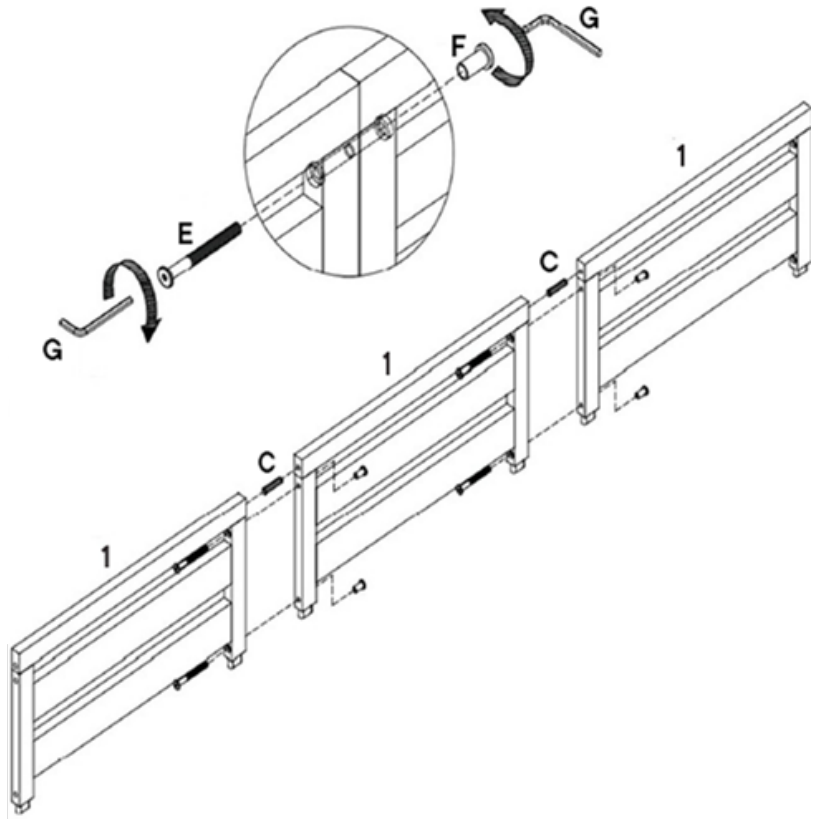
HARDWARE

Ⓒ Dowel 12 x 45mm x2

Ⓔ Bolt M8x90mm x4

Ⓕ JCN Nut M8 x 18mm x4

Ⓖ Allen Key x2

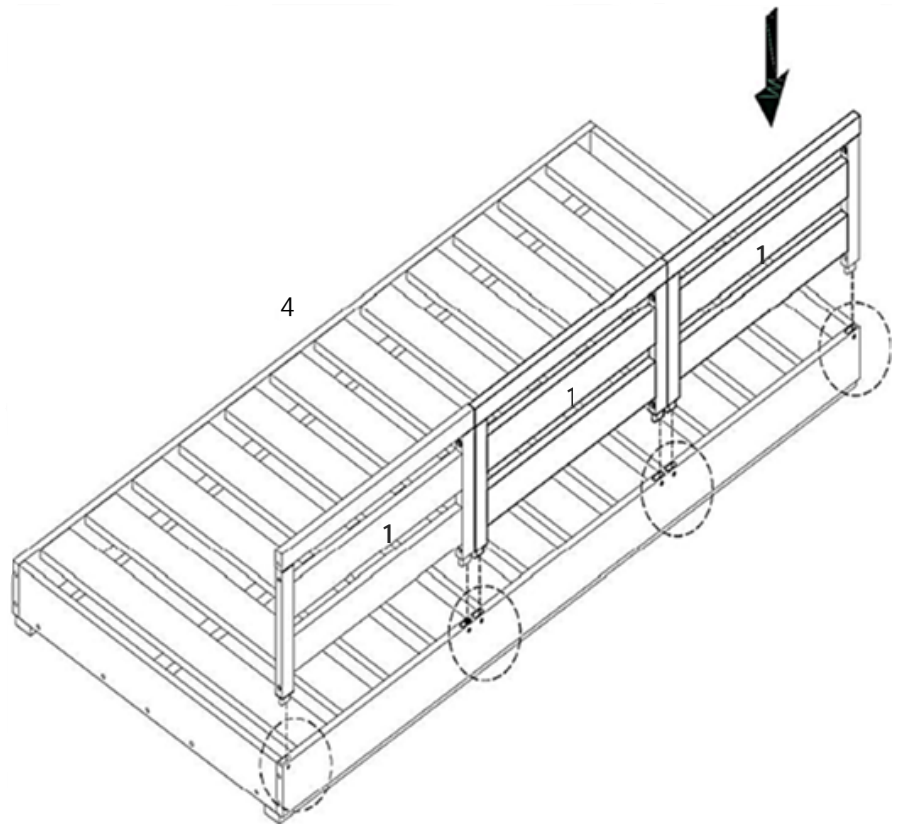


STEP 02

COMPONENTS

① Back Frame x2

④ Seat Frame x1



STEP 03

COMPONENTS

② Right Arm x1

③ Left Arm x1

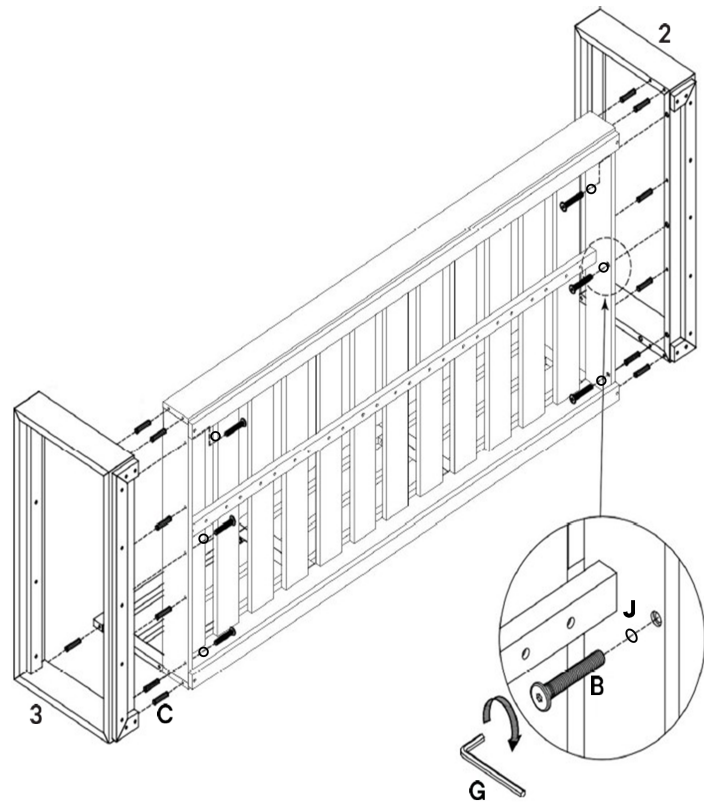
HARDWARE

Ⓑ Bolt M8x50mm x6

Ⓒ Dowel 12 x 45mm x14

Ⓓ Allen Keys x1

Ⓙ Black rubber washer x6



STEP 04

COMPONENTS

② Right Arm x1

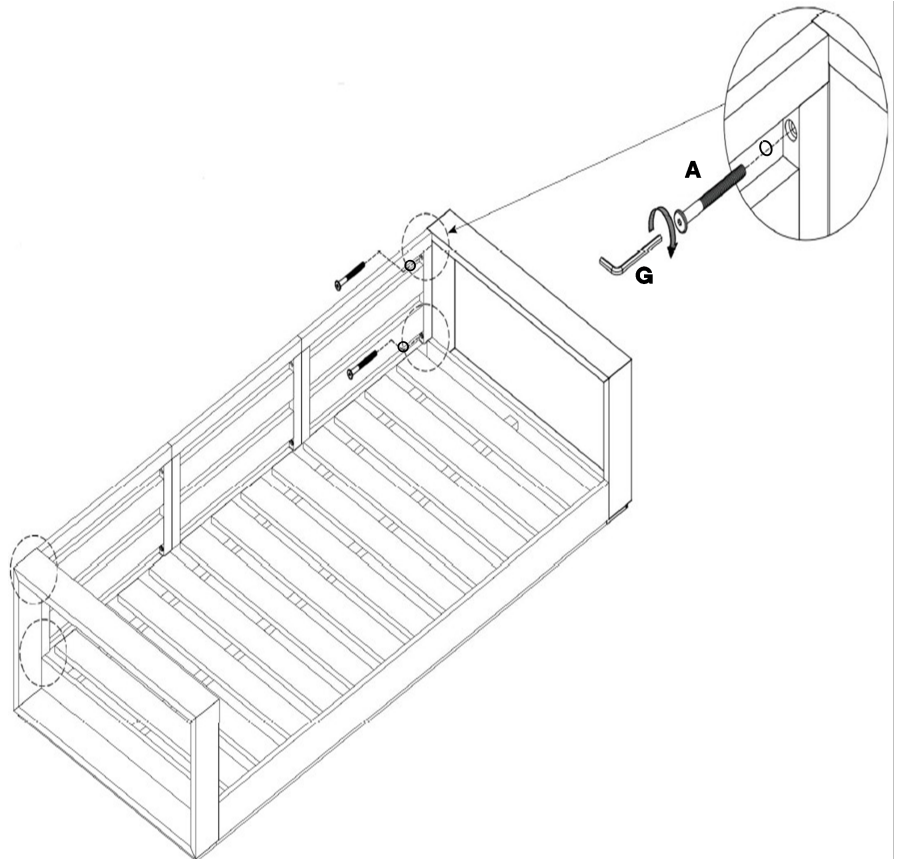
③ Left Arm x1

HARDWARE

Ⓐ Bolt M8x80mm x4

Ⓓ Allen Keys x1

Ⓙ Black rubber washer x4



STEP 05

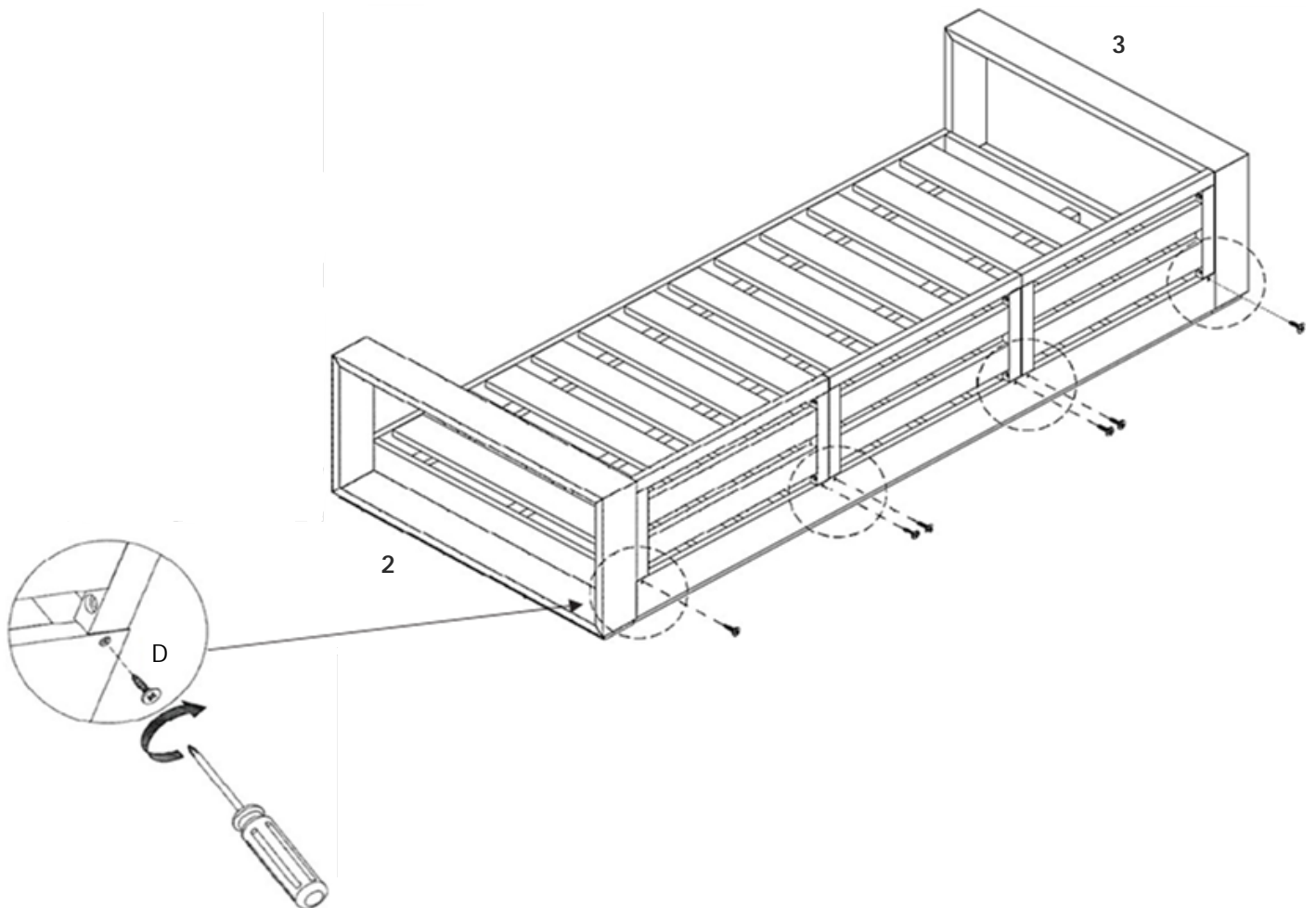
COMPONENTS

② Right Arm x1

③ Left Arm x1

HARDWARE

ⓓ Screw 4 x 15mm x6

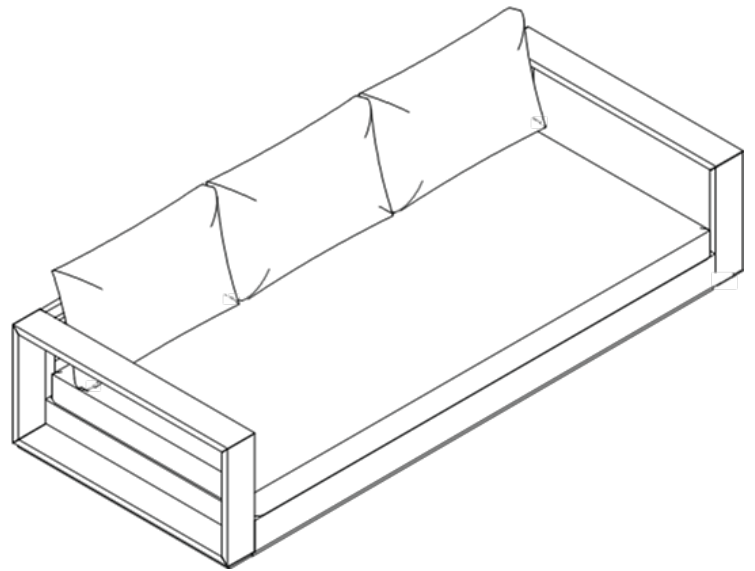


Great job!

Your new sofa is complete.

CARING FOR YOUR ITEM

- Depending on use, it may be necessary to tighten the hardware from time to time, so please save the tools that have been provided
- Not contract grade.
- Clean using a non-abrasive cloth and a mild cleaner.
- Retain the rich wood color by occasionally sanding lightly and applying a teak cleaner and protectant. The oils nourish and help restore the original look.



CONNECT WITH US!

Tag us @modway_furniture and #modway

for a chance to be featured.

modway



Questions? Contact us!

609.256.9000

cs@modway.com