

ASSEMBLY INSTRUCTIONS

# Outdoor Arm Chair

EEl-6782 / V2.01.21.26

---

**modway**



Questions? Contact us!  
609.256.9000  
[cs@modway.com](mailto:cs@modway.com)

# Welcome.

## Let's get started.

Before you begin, here are some things to keep in mind:

**Assembly will take most people about 30 minutes.** Consider having a friend help you!

**Only use hand tools to assemble this item.** Do not use power tools. Do not tighten bolts or screws completely until all hardware is lined up and inserted into the holes.

**Read through all of the instructions before starting. Make sure you have all parts and components before discarding any packing materials.**

Do not over-tighten screws and bolts to avoid stripping the hardware or cracking the item

Assemble your item on a flat, carpeted area, with plenty of space to work. This will prevent damage and scratches to your floors or the item while you're assembling the product.

Keep all components and packaging out of reach of children or animals to avoid risk of choking or suffocation.

**Care instructions are listed in the last step of this manual.**

**WAIT!**

Missing parts or hardware? Need assistance?

Contact us before returning your item.

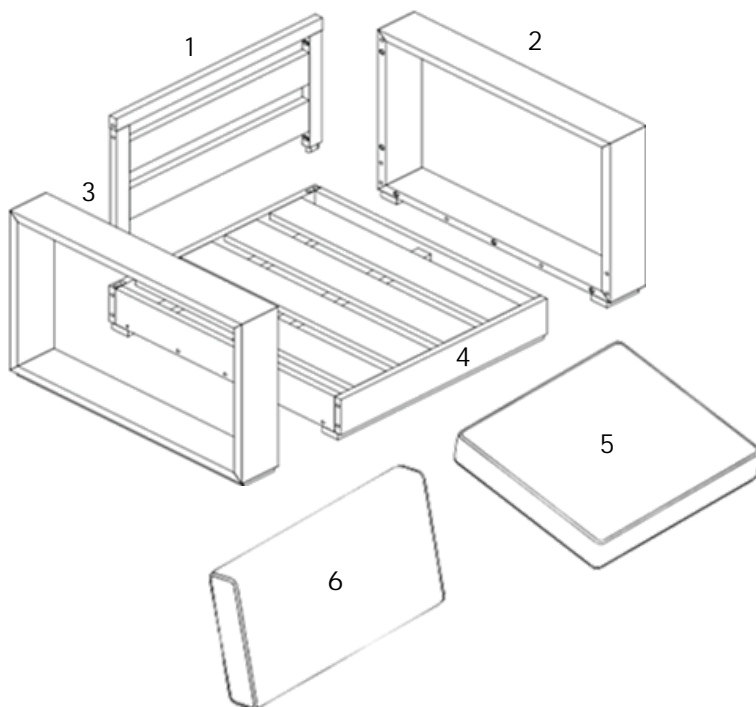
We're here to help!



## HARDWARE INCLUDED IN THE BOX:

A.		Bolt M8x80mm	x4
B.		Bolt M8x50mm	x6
C.		Dowel 12x45mm	x14
D.		Screws 4x15mm	x2
E.		Allen Keys	x2
F.		Black rubber washer	x10

## FURNITURE COMPONENTS:



1.	Back Frame	x1
2.	Right Arm	x1
3.	Left Arm	x1
4.	Seat Frame	x1
5.	Seat Cushion	x1
6.	Back Cushion	x1

## WHAT YOU NEED:



Phillips

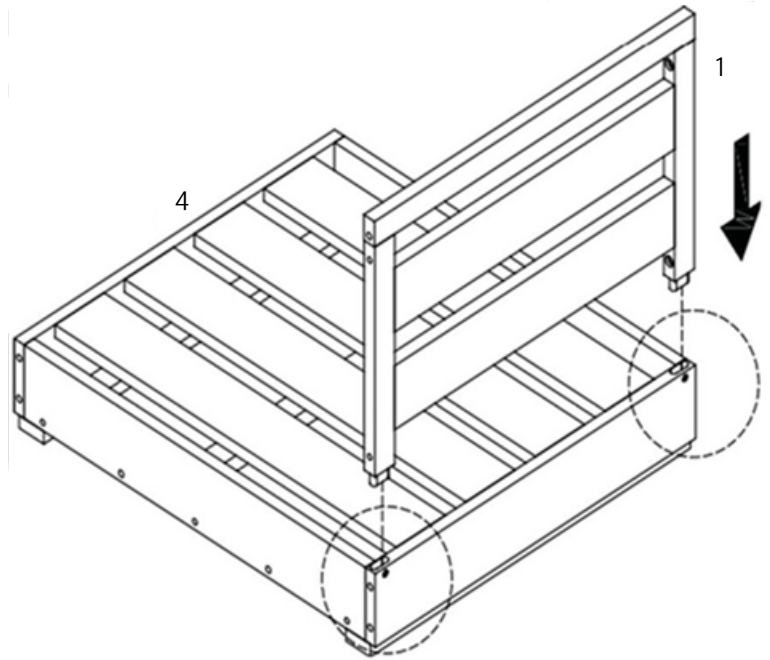


Phillips Head Screwdriver

## STEP 01

## COMPONENTS

- |   |            |    |
|---|------------|----|
| ① | Back Frame | x1 |
| ④ | Seat Frame | x1 |



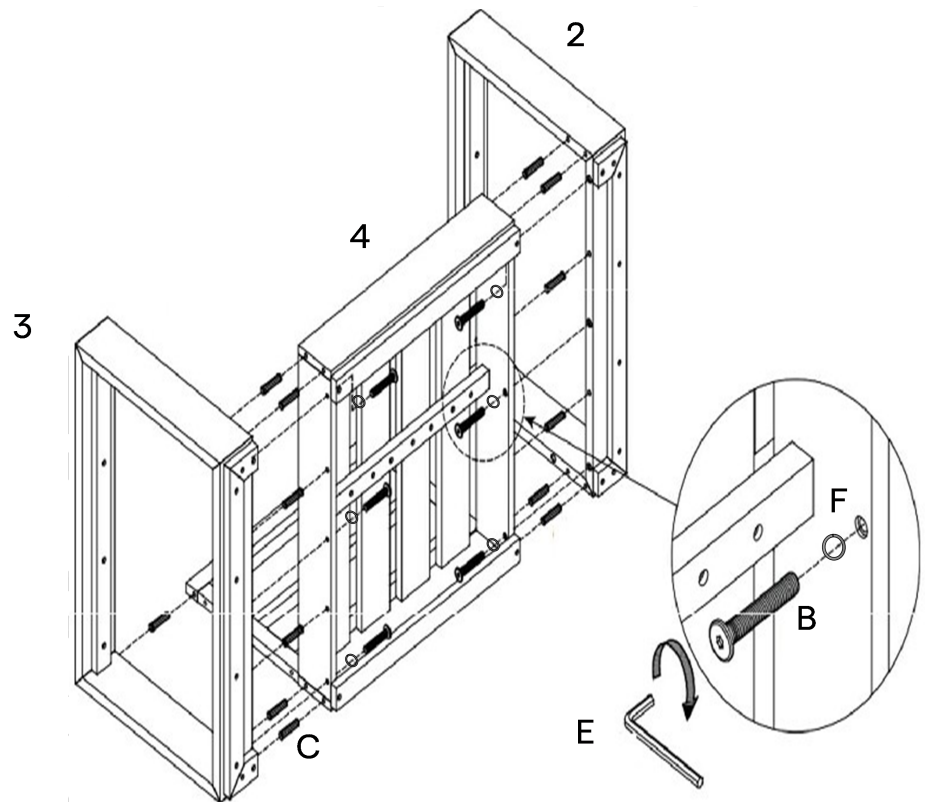
## STEP 02

## COMPONENTS

- |   |            |    |
|---|------------|----|
| ② | Right Arm  | x1 |
| ③ | Left Arm   | x1 |
| ④ | Seat Frame | x1 |

## HARDWARE

- |   |                    |     |
|---|--------------------|-----|
| Ⓑ | Bolt M8x50mm       | x6  |
| Ⓒ | Dowel 12x45mm      | x14 |
| Ⓔ | Allen Keys         | x1  |
| Ⓕ | Back rubber washer | x6  |



## STEP 03

## COMPONENTS

② Right Arm x1

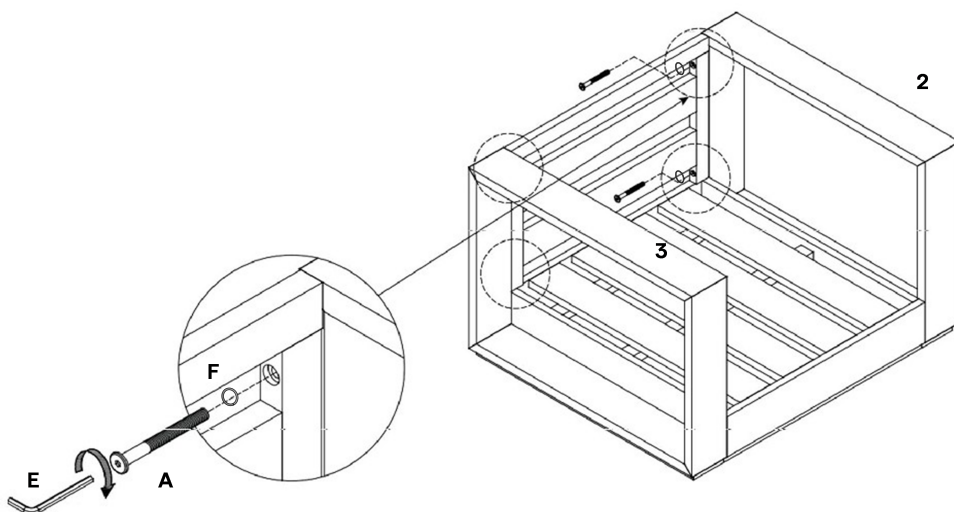
③ Left Arm x1

## HARDWARE

Ⓐ Bolt M8x80mm x4

Ⓔ Allen Keys x1

Ⓕ Back rubber washer x4



## STEP 04

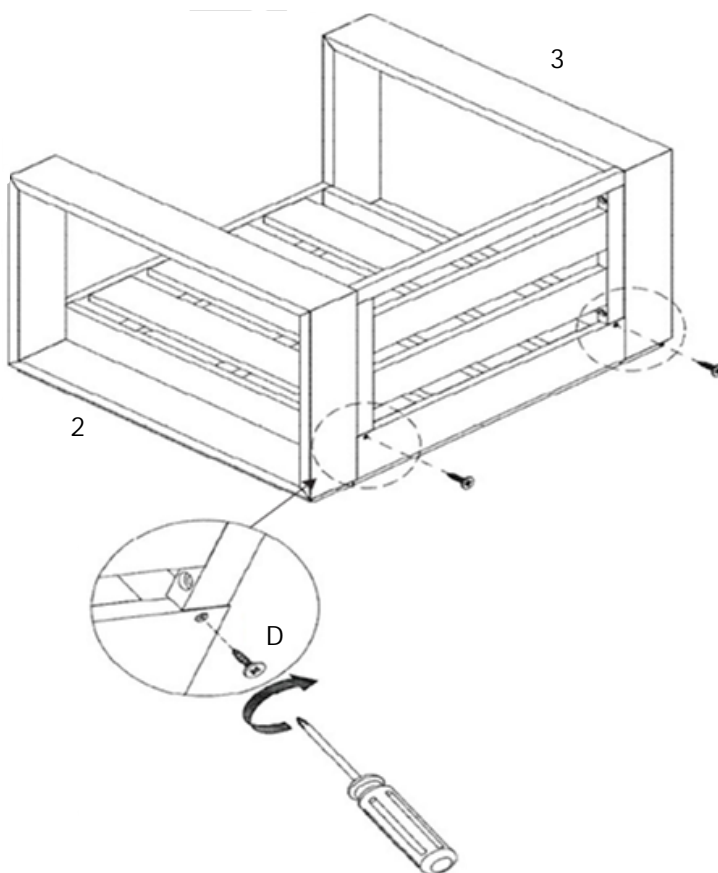
## COMPONENTS

② Right Arm x1

③ Left Arm x1

## HARDWARE

Ⓓ Screw 4 x 15mm x2



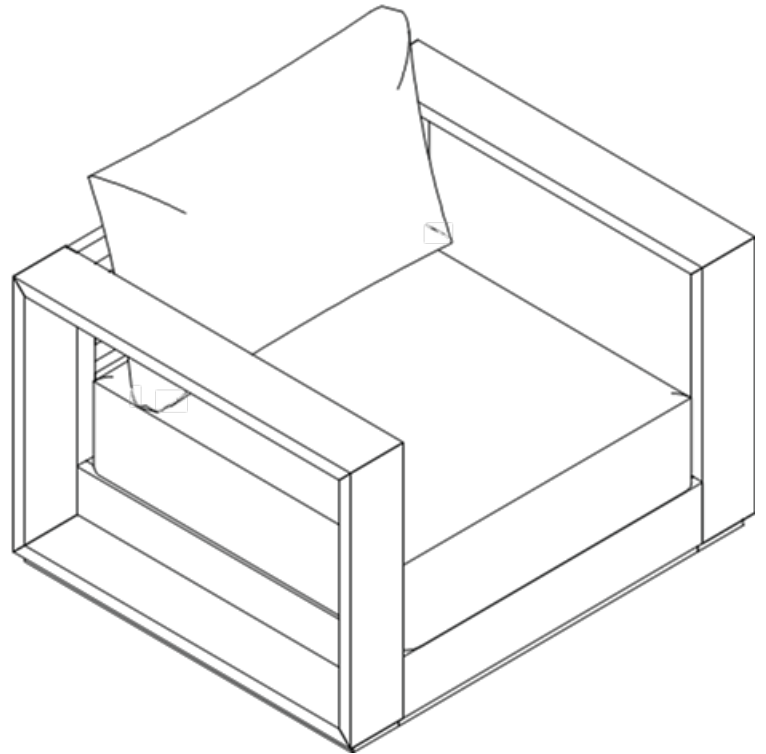
# Great job!

Your new arm chair is complete.

---

## CARING FOR YOUR ITEM

- Depending on use, it may be necessary to tighten the hardware from time to time, so please save the tools that have been provided
- Not contract grade.
- Clean using a non-abrasive cloth and a mild cleaner.
- Retain the rich wood color by occasionally sanding lightly and applying a teak cleaner and protectant. The oils nourish and help restore the original look.



CONNECT WITH US!

Tag us @modway\_furniture and #modway  
for a chance to be featured.

# modway



Questions? Contact us!

609.256.9000

cs@modway.com