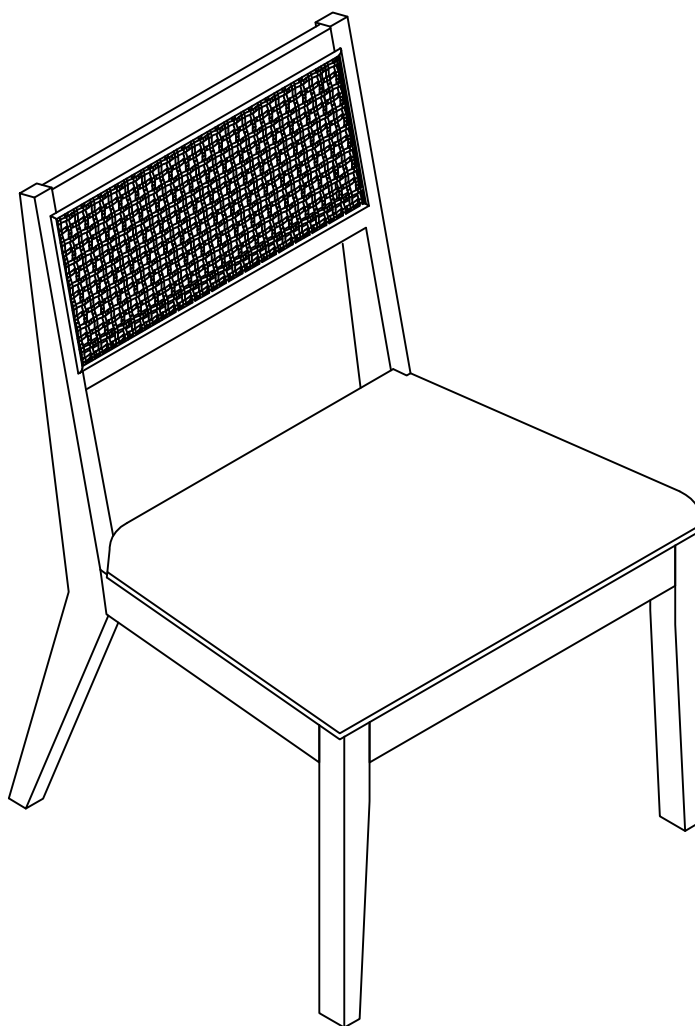


ASSEMBLY INSTRUCTIONS

EEI-6781

V0.11.20.23



Questions? Contact us!

609.256.9000 · cs@modway.com
www.modway.com

*modway

Let's get started!

*modway



Read through all of the instructions before starting



Care instructions are listed in the last step of this manual



Approx. 30 minutes assembly time



Make sure you have all parts and components before discarding any packing materials



2 people recommended for assembly

Only use hand tools to assemble this item. Do not use power tools. Do not tighten bolts or screws completely until all hardware is lined up and inserted into the holes.

Do not over-tighten screws and bolts to avoid stripping the hardware or cracking the item.









Assemble your item on a flat, carpeted area, with plenty of space to work. This will prevent damage and scratches to your floors or the item while you're assembling the product.

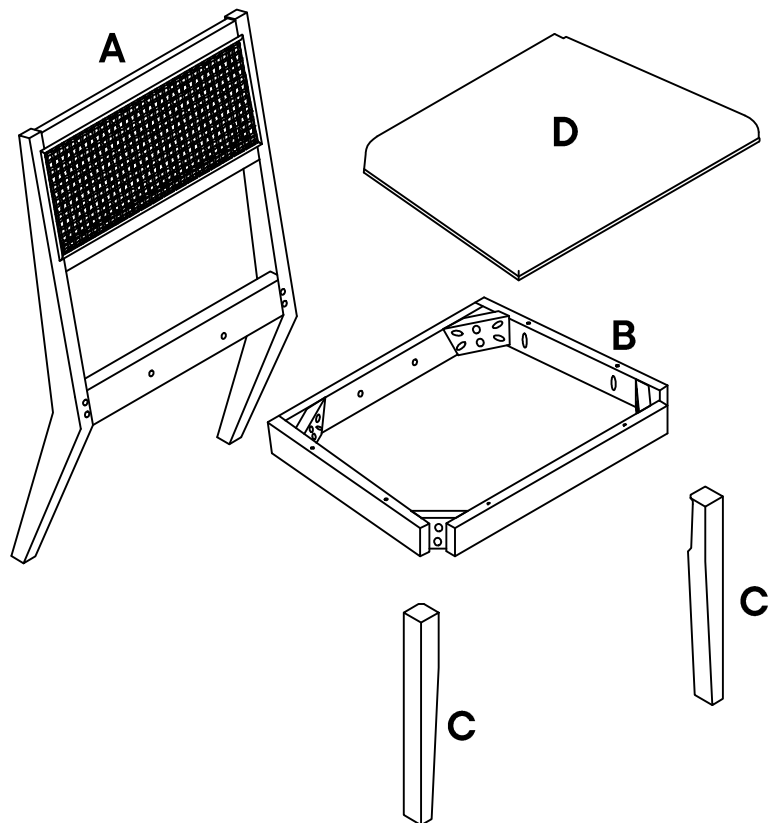
Keep all components and packaging out of reach of children or animals to avoid risk of choking or suffocation.

Furniture components:

A	Chair Back	x1
B	Seat Frame	x1
C	Chair Leg	x2
D	Cushion	x1

Provided hardware:

1	 JCBC M6 x 35mm	x2
2	 JCBC M6 x 60mm	x4
3	 JCBC M6 x 80mm	x2
4	 JCBC M6 x 90mm	x2
5	 M6 Flat Washer	x10
6	 M6 Spring Washer	x10
7	 Wood Screw M4 X 32mm	x6
8	 M4 Allen Key	x1



What you need:



Phillips Head Screwdriver

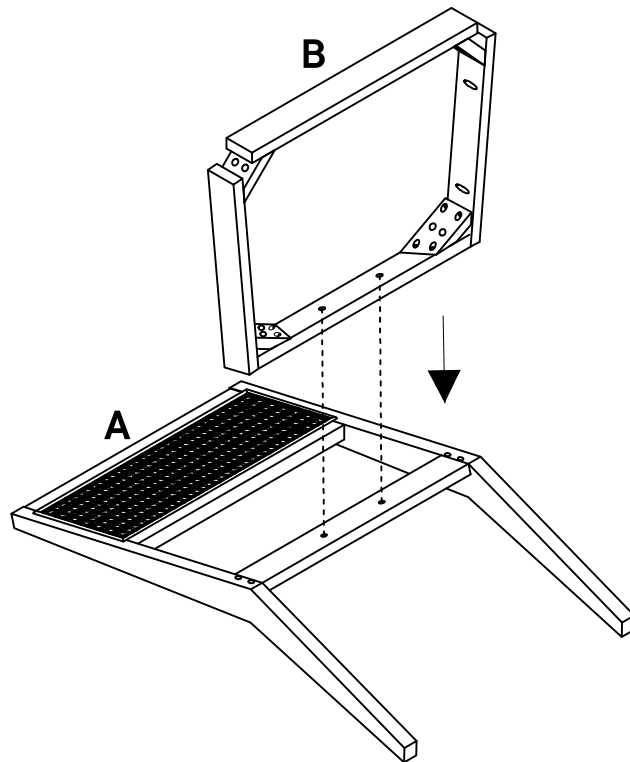
Wait!

Missing parts or hardware? Need assistance?
Contact us before returning your item. We're here to help!
609.256.9000 • cs@modway.com

Step 1

COMPONENT

- | | | |
|----------|------------|----|
| A | Chair Back | x1 |
| B | Seat Frame | x1 |



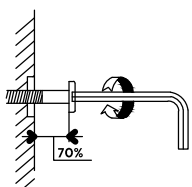
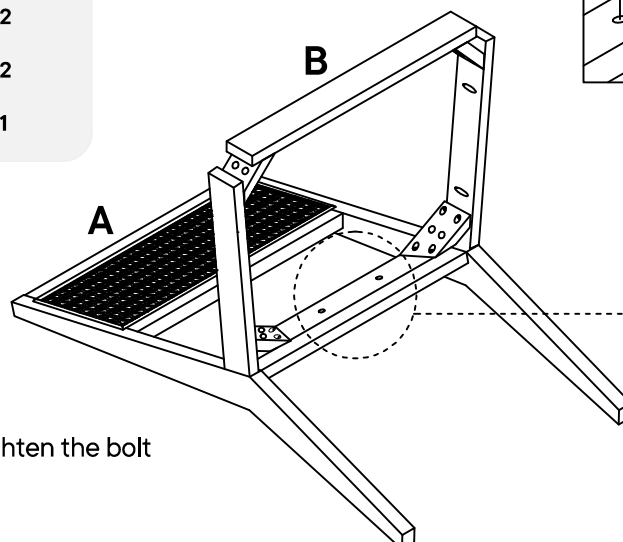
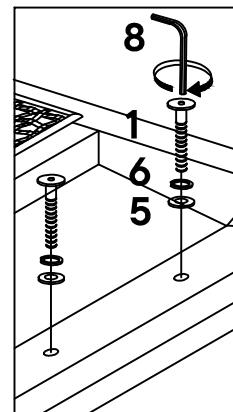
Step 2

COMPONENT

- | | | |
|----------|------------|----|
| A | Chair Back | x1 |
| B | Seat Frame | x1 |

HARDWARE

- | | | |
|----------|------------------|----|
| 1 | JCBC M6 x 35mm | x2 |
| 5 | M6 Flat Washer | x2 |
| 6 | M6 Spring Washer | x2 |
| 8 | M4 Allen Key | x1 |



NOTE: Do not fully tighten the bolt

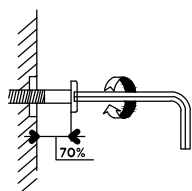
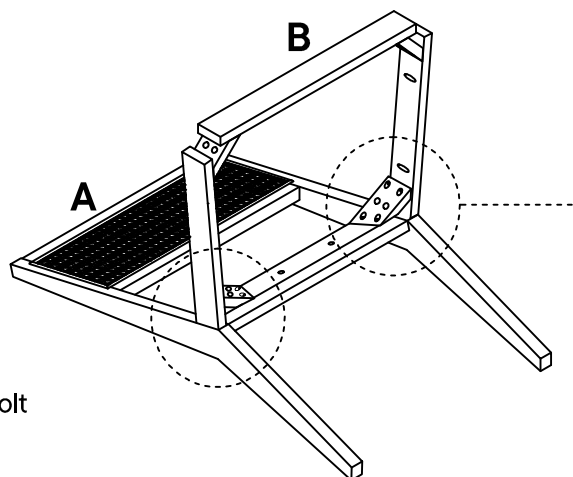
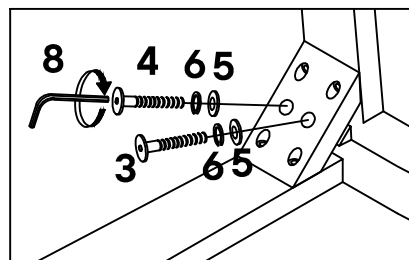
Step 3

COMPONENT

A	Chair Back	x1
B	Seat Frame	x1

HARDWARE

3	JCBC M6 x 80mm	x2
4	JCBC M6 x 90mm	x2
5	M6 Flat Washer	x4
6	M6 Spring Washer	x4
8	M4 Allen Key	x1

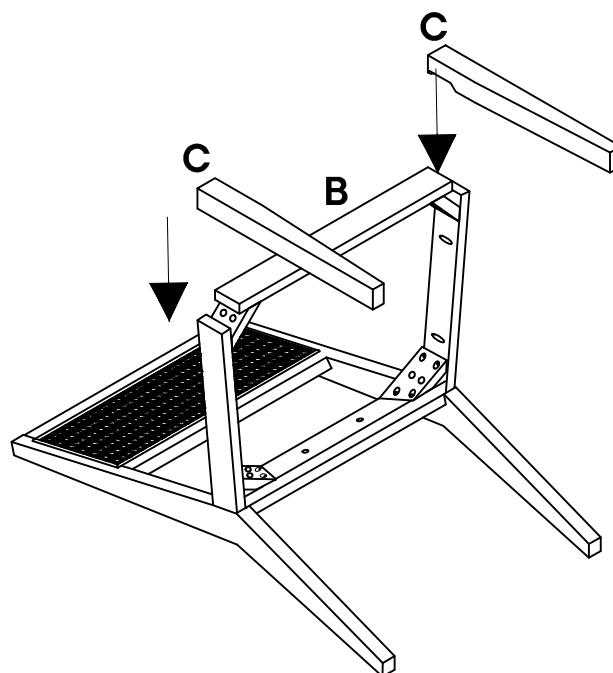


NOTE: Do not fully tighten the bolt

Step 4

COMPONENT

B	Seat Frame	x1
C	Chair Leg	x2



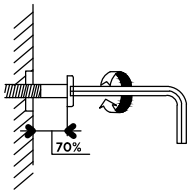
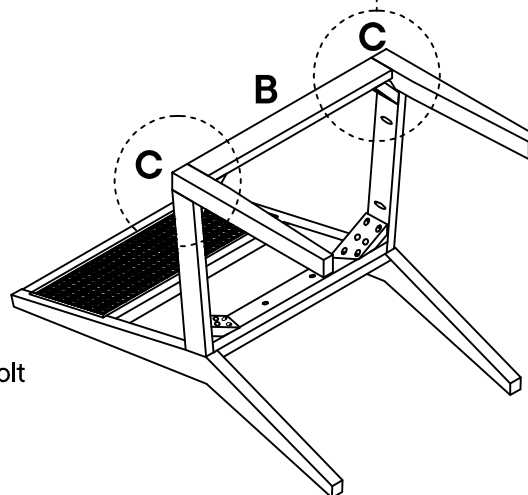
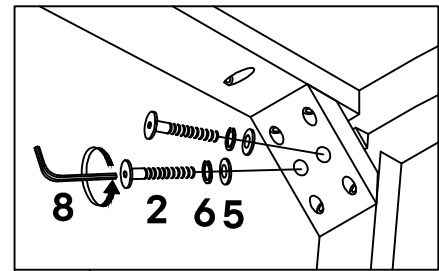
Step 5

COMPONENT

B	Seat Frame	x1
C	Chair Leg	x2

HARDWARE

2	JCBC M6 x 60mm	x4
5	M6 Flat Washer	x4
6	M6 Spring Washer	x4
8	M4 Allen Key	x1

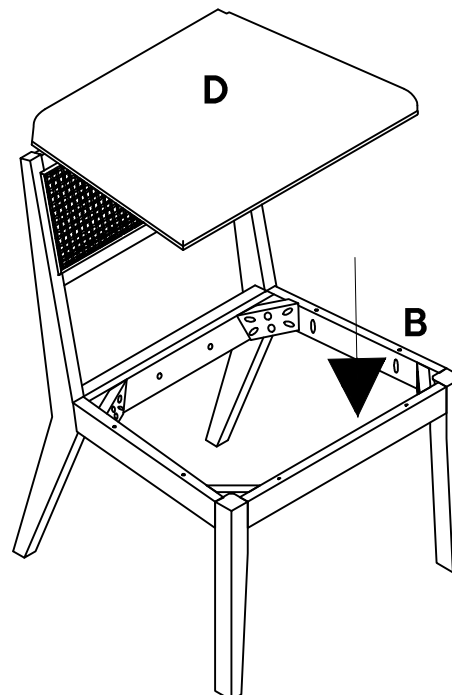


NOTE: Do not fully tighten the bolt

Step 6

COMPONENT

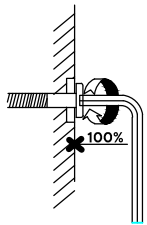
B	Seat Frame	x1
D	Cushion	x1



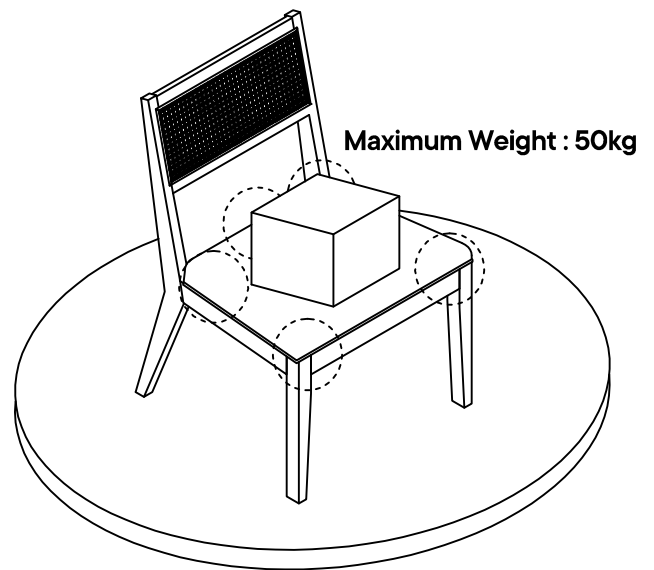
Step 7

COMPONENT

D Cushion x1



NOTE : To assist with leveling the chair, place a heavy object or have an adult sit on the Cushion (D) to pressure the chair for leveling and fully tighten all bolts with Allen Key (8) to secure all legs.



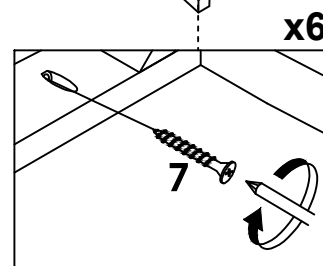
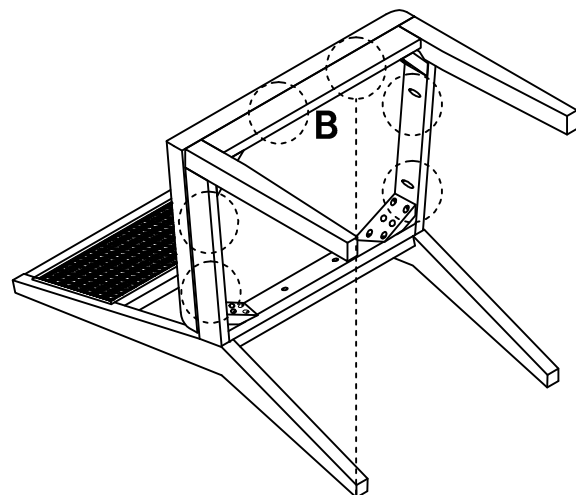
Step 8

COMPONENT

B Seat Frame x1

HARDWARE

7 Wood Screw M4 x 32mm x6



Great job!

Chair assembly is complete

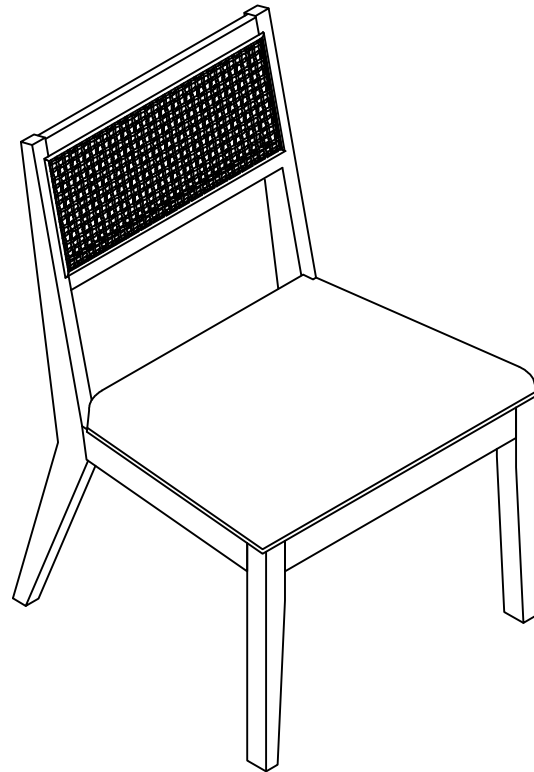
♡ CARING FOR YOUR ITEM

Indoor use only.

Not contract grade.

Clean using a non-abrasive cloth and a mild cleaner

Never use harsh chemicals, as they could damage the finish or integrity of the item.



CONNECT WITH US!   

Tag us **@modway_furniture** and **#modway** for a chance to be featured.