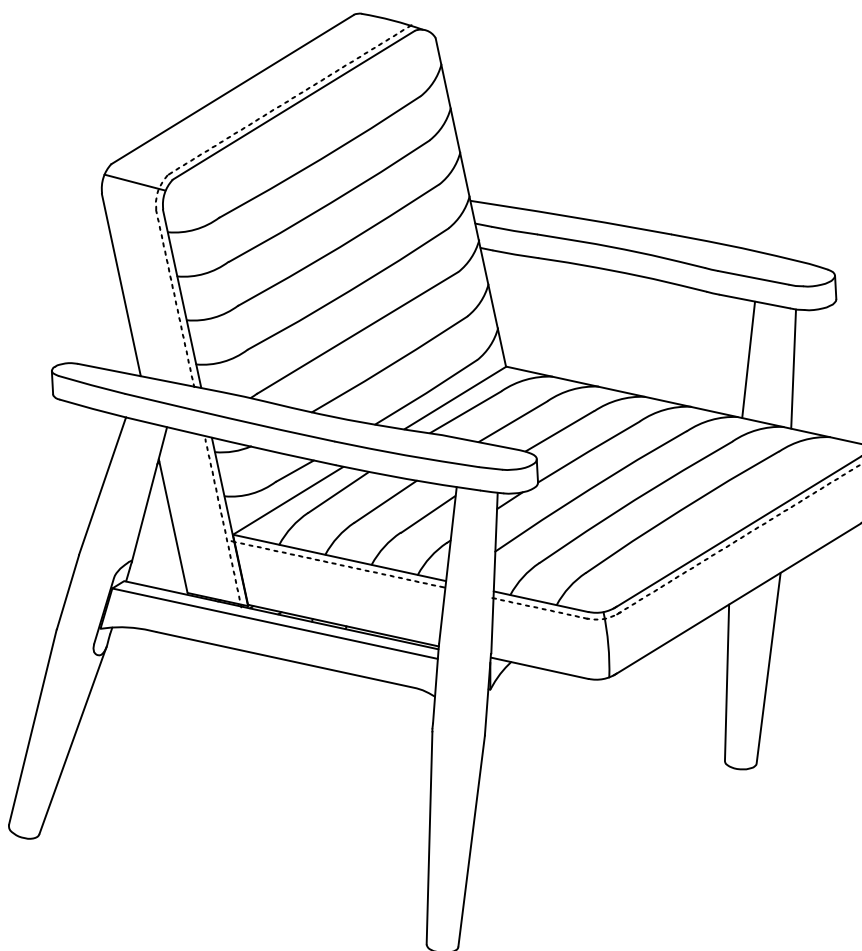


ASSEMBLY INSTRUCTIONS

EEI-6779/6780

V0.11.27.23



Questions? Contact us!

609.256.9000 · cs@modway.com
www.modway.com

***modway**

Let's get started!

*modway



Read through all of the instructions before starting



Care instructions are listed in the last step of this manual



Approx. 30 minutes assembly time



Make sure you have all parts and components before discarding any packing materials



2 people recommended for assembly

Only use hand tools to assemble this item. Do not use power tools. Do not tighten bolts or screws completely until all hardware is lined up and inserted into the holes.

Do not over-tighten screws and bolts to avoid stripping the hardware or cracking the item.













Assemble your item on a flat, carpeted area, with plenty of space to work. This will prevent damage and scratches to your floors or the item while you're assembling the product.

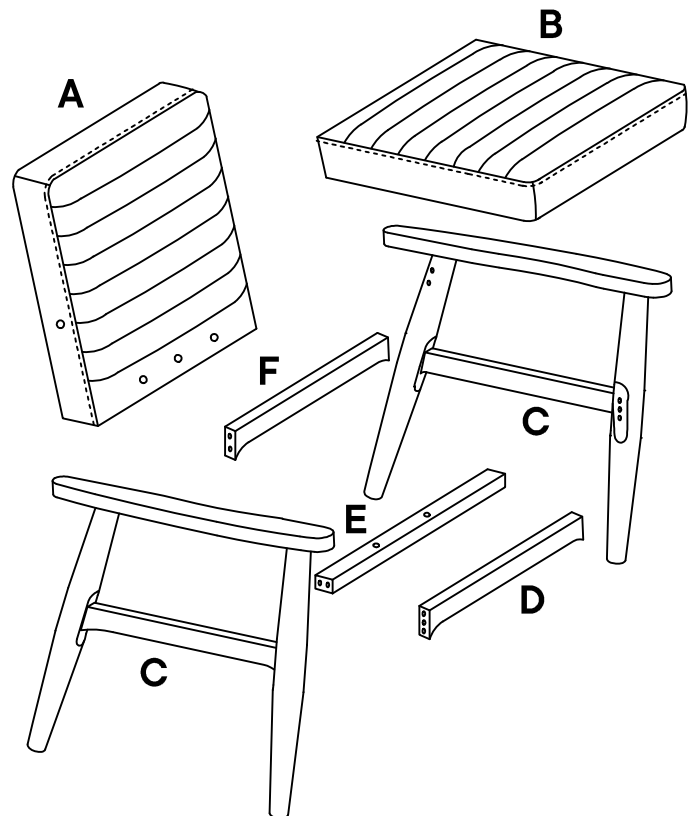
Keep all components and packaging out of reach of children or animals to avoid risk of choking or suffocation.

Furniture components:

A	Cushion Back	x1
B	Cushion Seat	x1
C	Arm	x2
D	Front Rail	x1
E	Back Rail	x1
F	Top Rail	x1

Provided hardware:

1	 JCBC M6 x 20mm	x4
2	 JCBC M6 x 50mm	x8
3	 JCBB M8 x 45mm	x3
4	 M6 Flat Washer	x2
5	 M6 Spring Washer	x12
6	 M8 Flat Washer	x3
7	 M8 Spring Washer	x3
8	 Wood Screw M4 X 38mm	x2
9	 Wood Dowel M8 X 30mm	x8
10	 M4 Allen Key	x1
11	 M5 Allen Key	x1
12	 L Bracket (5081-1)	x2



What you need:



Phillips Head Screwdriver

Wait!

Missing parts or hardware? Need assistance?
Contact us before returning your item. We're here to help!
609.256.9000 - cs@modway.com

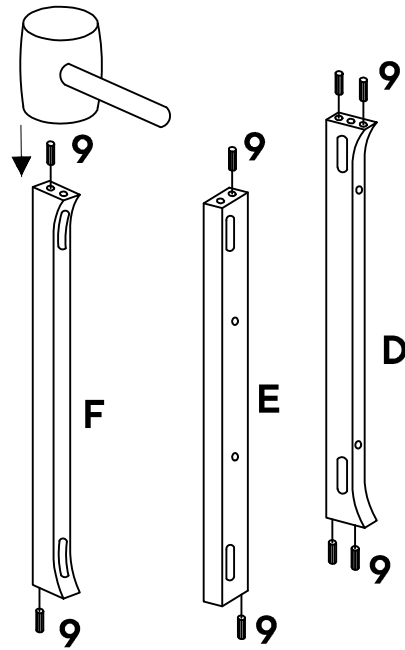
Step 1

COMPONENT

D	Front Rail	x1
E	Back Rail	x1
F	Top Rail	x1

HARDWARE

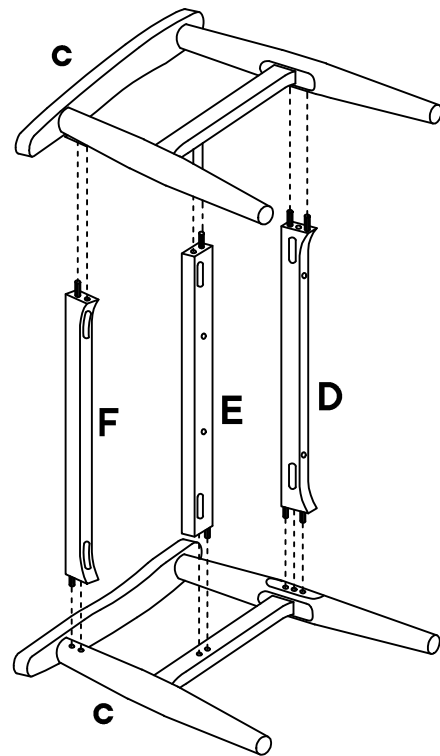
9	Wood Dowel M8 X 30mm	x8
----------	----------------------	----



Step 2

COMPONENT

C	Arm	x2
D	Front Rail	x1
E	Back Rail	x1
F	Top Rail	x1



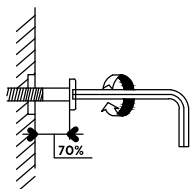
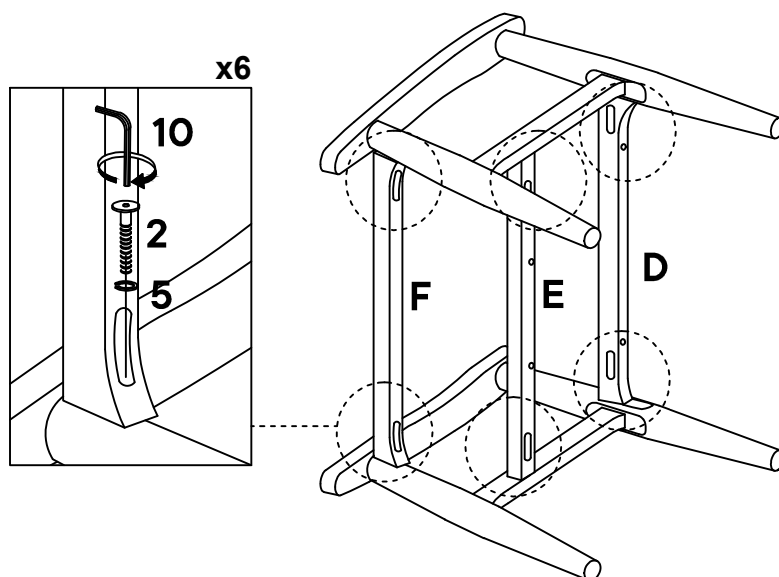
Step 3

COMPONENT

D	Front Rail	x1
E	Back Rail	x1
F	Top Rail	x1

HARDWARE

2	JCBC M6 x 50mm	x6
5	M6 Spring Washer	x6
10	M4 Allen Key	x1

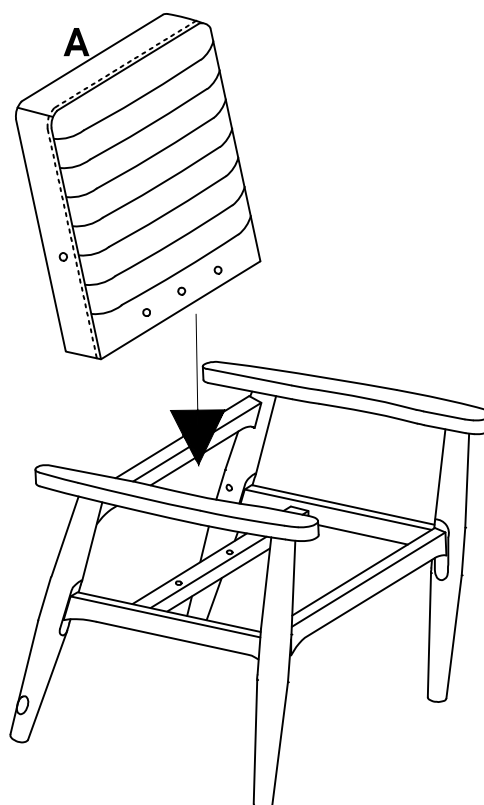


NOTE: Do not fully tighten the bolt

Step 4

COMPONENT

A	Cushion Back	x1
----------	--------------	----



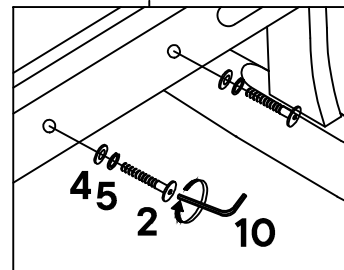
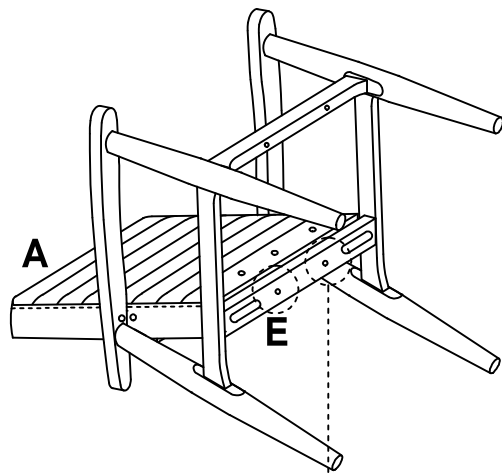
Step 5

COMPONENT

- A** Cushion Back x1
- E** Back Rail x1

HARDWARE

- 2** JCBC M6 x 50mm x2
- 4** M6 Flat Washer x2
- 5** M6 Spring Washer x2
- 10** M4 Allen Key x1



Step 6

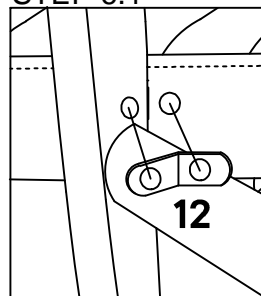
COMPONENT

- A** Cushion Back x1
- C** Arm x1

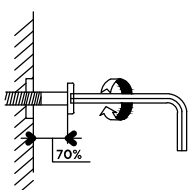
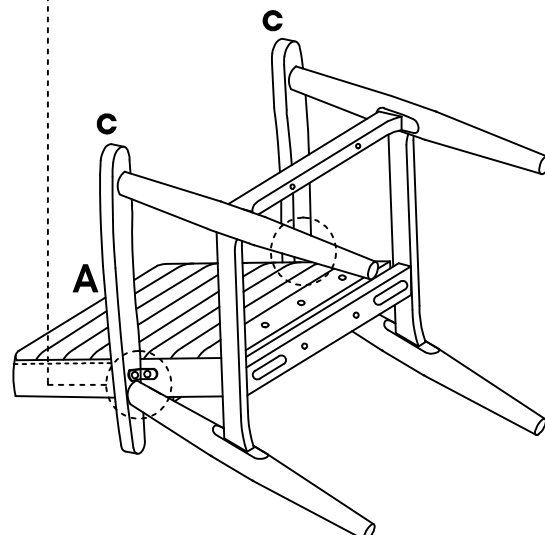
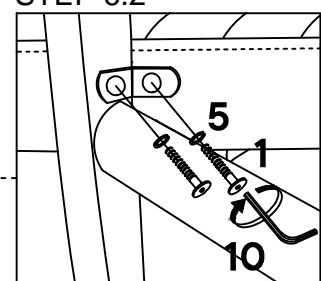
HARDWARE

- 1** JCBC M6 x 20mm x4
- 5** M6 Spring Washer x4
- 10** M4 Allen Key x1
- 12** L BACKET (5081-1) x2

STEP 6.1



STEP 6.2

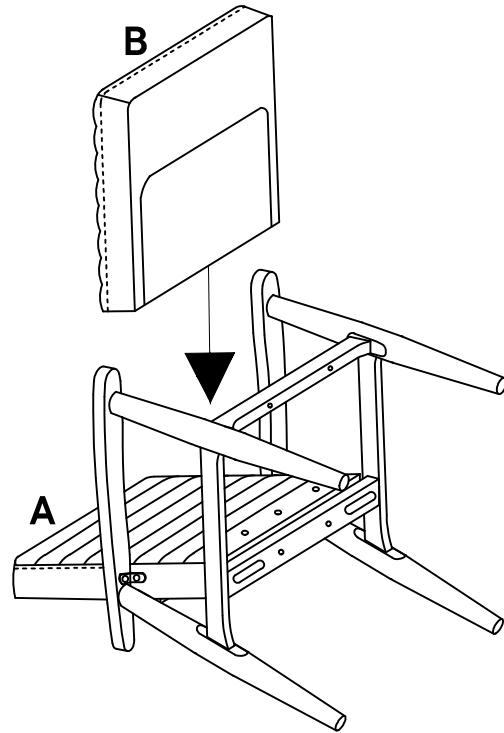


NOTE : Do not fully tighten the bolt

Step 7

COMPONENT

- A** Cushion Back x1
- B** Cushion Seat x1



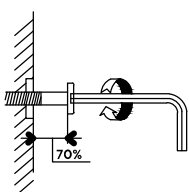
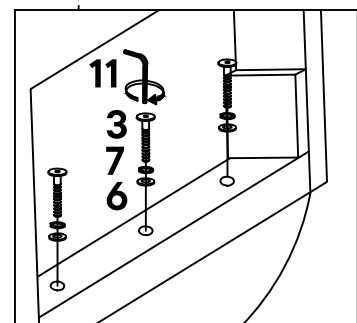
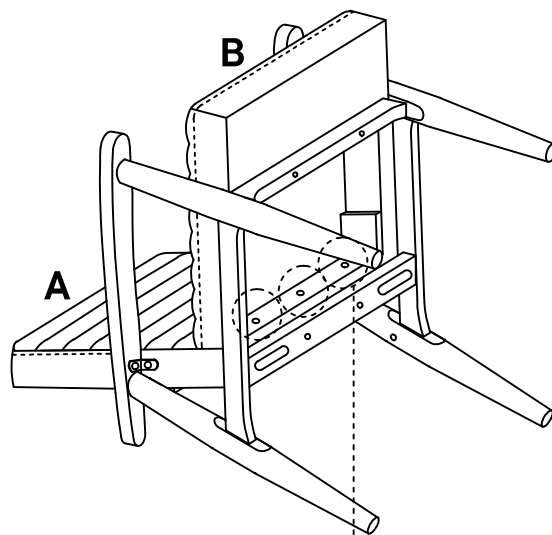
Step 8

COMPONENT

- A** Cushion Back x1
- B** Cushion Seat x1

HARDWARE

- 3** JCBB M8 x 45mm x3
- 6** M8 Flat Washer x3
- 7** M8 Spring Washer x3
- 11** M5 Allen Key x1

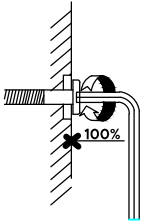
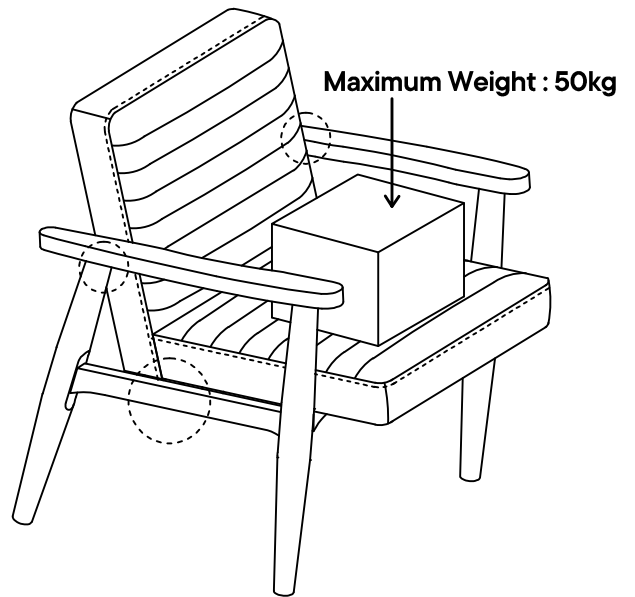


NOTE : Do not fully tighten the bolt

Step 9

COMPONENT

B Cushion Seat x1



NOTE : To assist with leveling the chair, place a heavy object or have an adult sit on the Cushion Seat (B) to pressure the chair for leveling and fully tighten all bolts with Allen Key (10) to secure all legs.

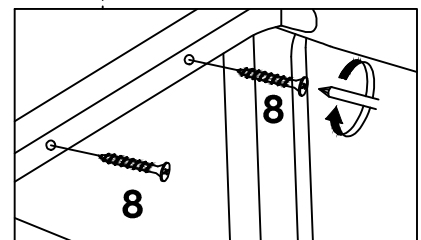
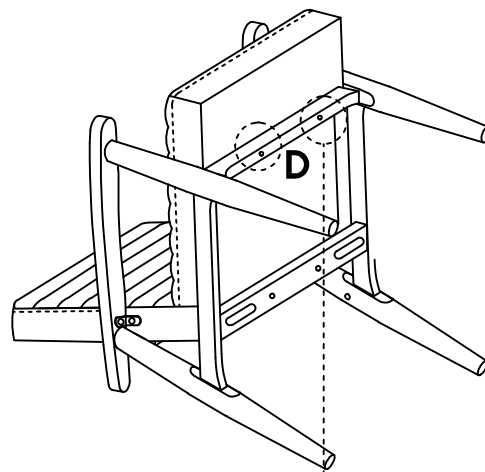
Step 10

COMPONENT

D Front Rail x1

HARDWARE

8 Wood Screw M4 x38mm x2



Great job!

Chair assembly is complete

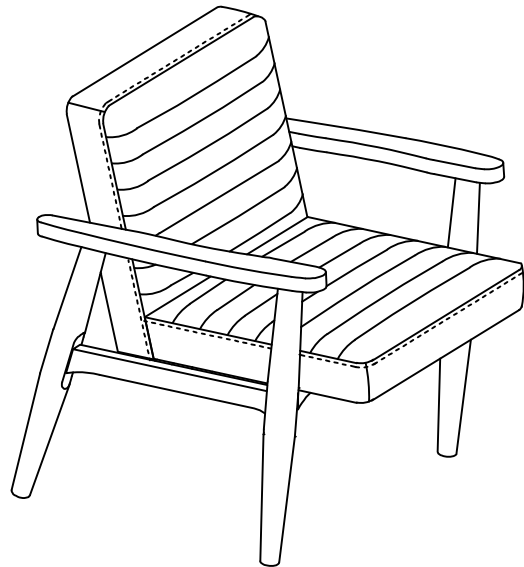
♥ CARING FOR YOUR ITEM

Indoor use only.

Not contract grade.

Clean using a non-abrasive cloth and a mild cleaner

Never use harsh chemicals, as they could damage the finish or integrity of the item.



CONNECT WITH US!

Tag us @modway_furniture and #modway for a chance to be featured.