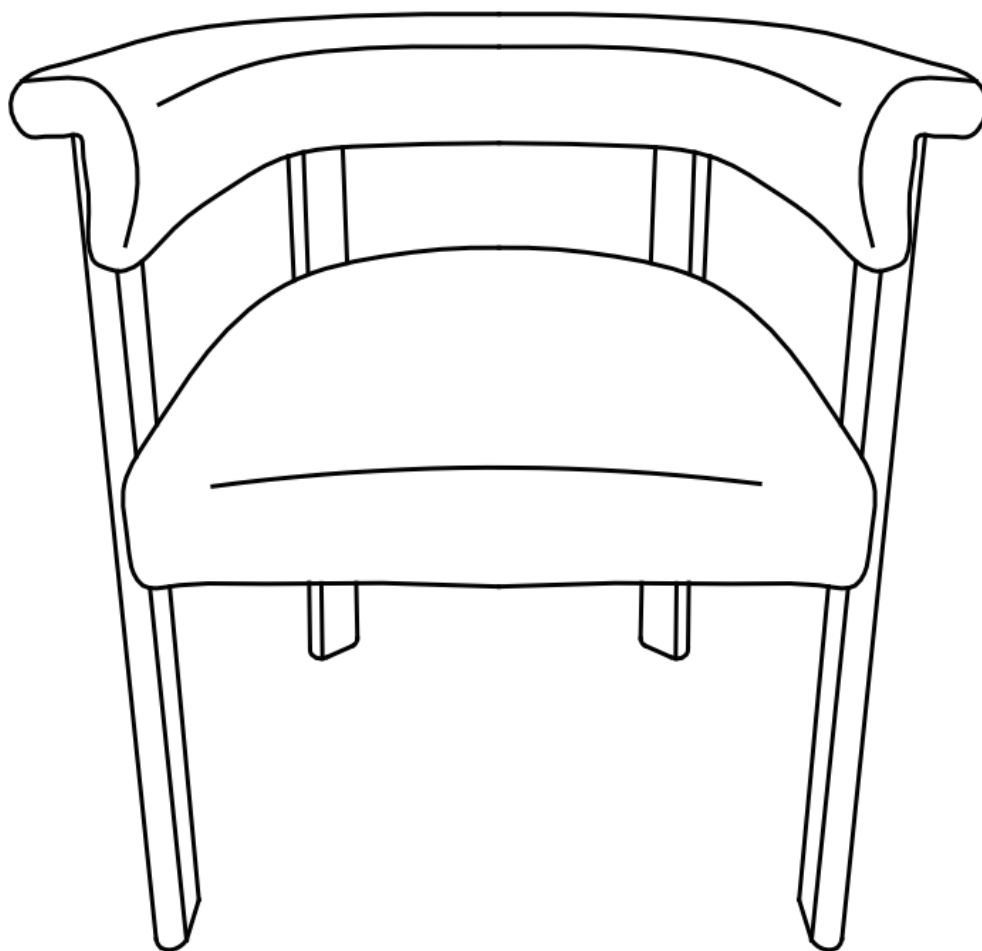


# ASSEMBLY INSTRUCTIONS

# EEI-6775/6776

V0.12.22.23



**Questions? Contact us!**

609.256.9000 • [cs@modway.com](mailto:cs@modway.com)  
[www.modway.com](http://www.modway.com)

\*modway

# Let's get started!

\*modway



Read through all of the instructions before starting



Care instructions are listed in the last step of this manual

**Only use hand tools to assemble this item.** Do not use power tools. Do not tighten bolts or screws completely until all hardware is lined up and inserted into the holes.

Do not over-tighten screws and bolts to avoid stripping the hardware or cracking the item.



Approx. 30 minutes assembly time



Make sure you have all parts and components before discarding any packing materials

Assemble your item on a flat, carpeted area, with plenty of space to work. This will prevent damage and scratches to your floors or the item while you're assembling the product.

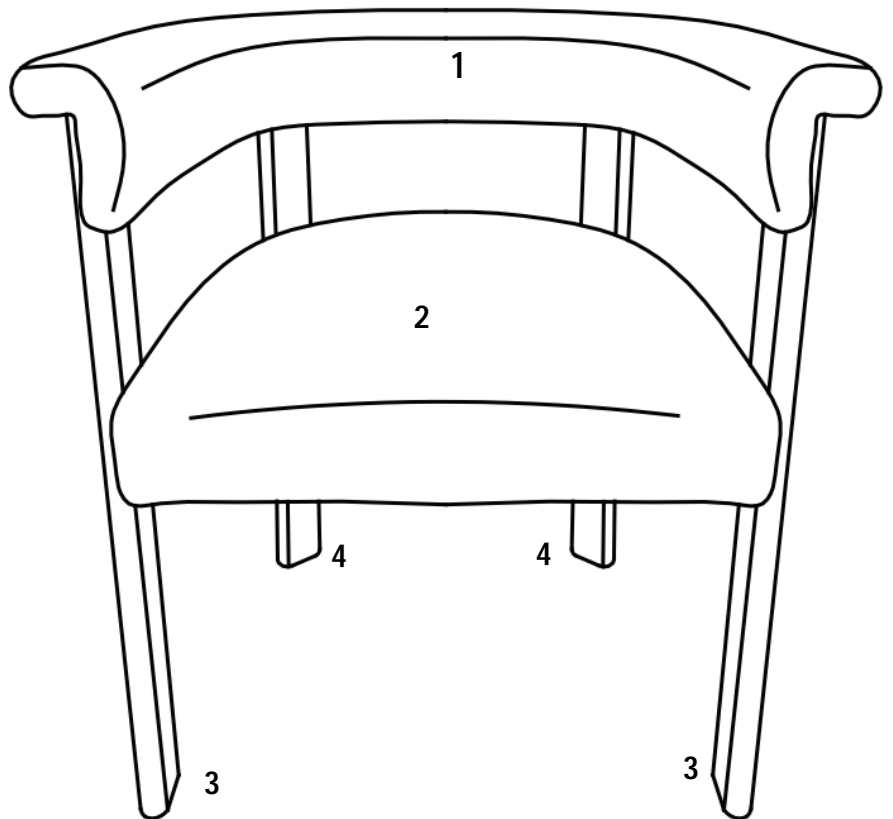
Keep all components and packaging out of reach of children or animals to avoid risk of choking or suffocation.



2 people recommended for assembly

## Furniture components:

1	Chair Back	x1
2	Chair Seat	x1
3	Front Leg	x2
4	Rear Leg	x2



## Provided hardware:

A		Bolt M8 x 55mm	x12
B		Spring Washer M8	x12
C		Flat Washer M8	x12
D		Allen Wrench M8	x1
E		Bolt M6 x 30mm	x8
F		Allen Wrench M6	x1

Wait!

Missing parts or hardware? Need assistance?

Contact us before returning your item. We're here to help!

609.256.9000 • cs@modway.com

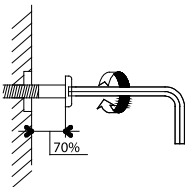
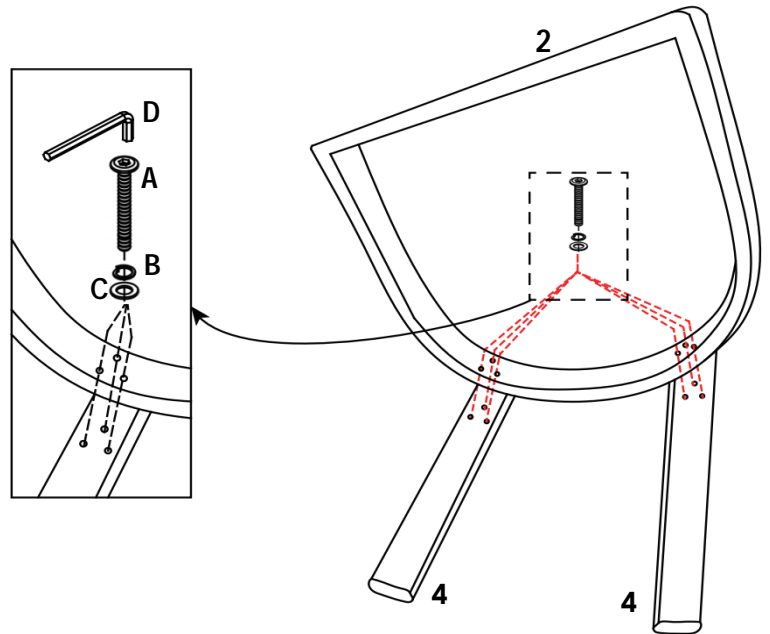
# Step 1

## HARDWARE

- A** Bolt M8 x 55mm x6
- B** Spring Washer M8 x6
- C** Flat Washer M8 x6
- D** Allen Wrench M8 x1

## COMPONENTS

- 2** Chair Seat x1
- 4** Rear Leg x2



**NOTE :** Do not fully tighten the bolt

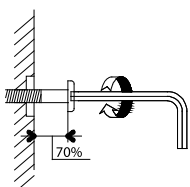
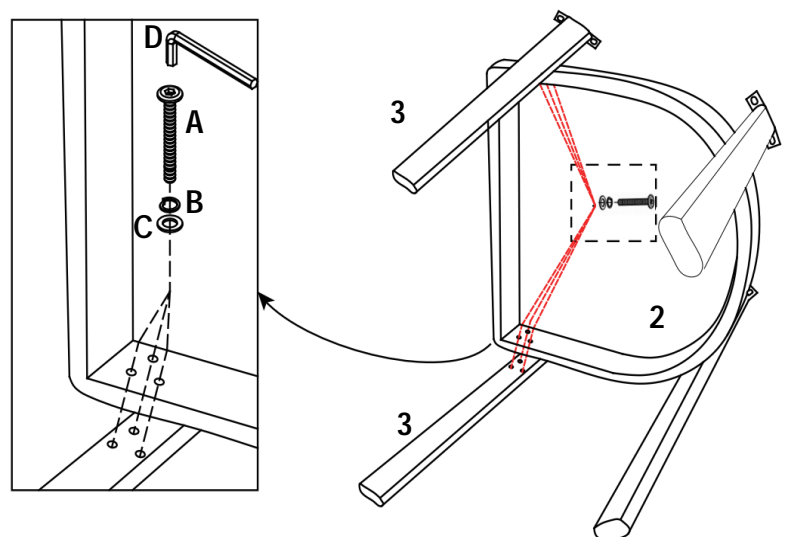
# Step 2

## HARDWARE

- A** Bolt M8 x 55mm x6
- B** Spring Washer M8 x6
- C** Flat Washer M8 x6
- D** Allen Wrench M8 x1

## COMPONENTS

- 2** Chair Seat x1
- 3** Front Leg x2



**NOTE :** Do not fully tighten the bolt

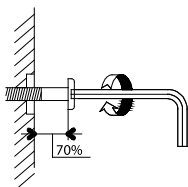
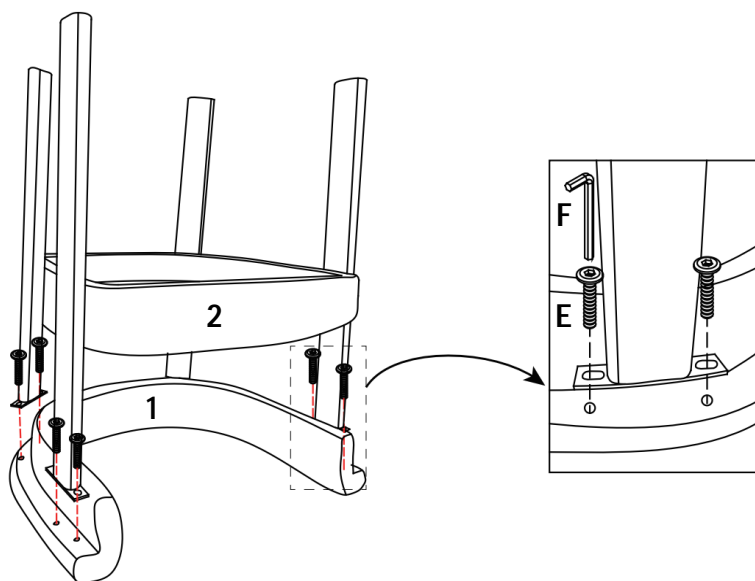
## Step 3

### HARDWARE

- E** Bolt M6 x 30mm x8
- F** Allen Wrench M6 x1

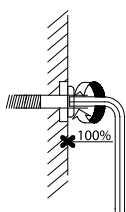
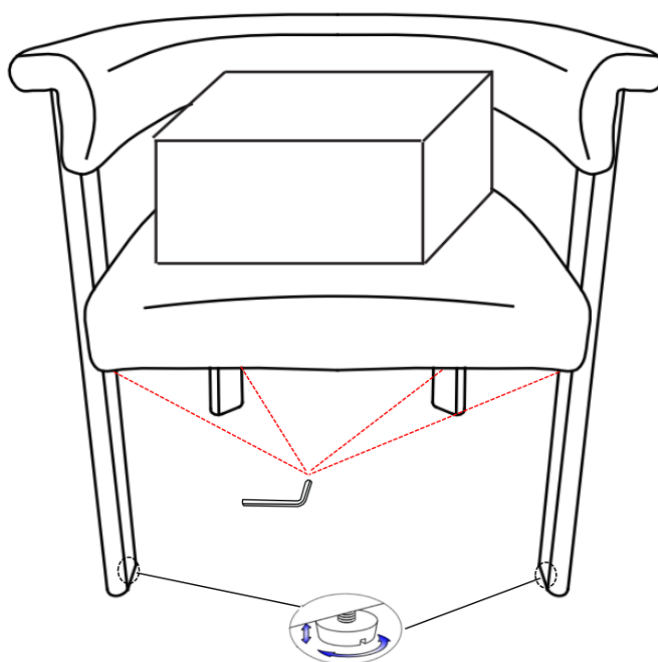
### COMPONENTS

- 1** Chair Back x1
- 2** Chair Seat x1



**NOTE :** Do not fully tighten the bolt

## Step 4



**NOTE :** To assist with leveling the chair, place a heavy object or have an adult sit on the Chair Seat (2) to pressure the chair for leveling and fully tighten all bolts with Allen Key (D/F) to secure all legs.

# Great job!

Your chair is complete and ready to enjoy.

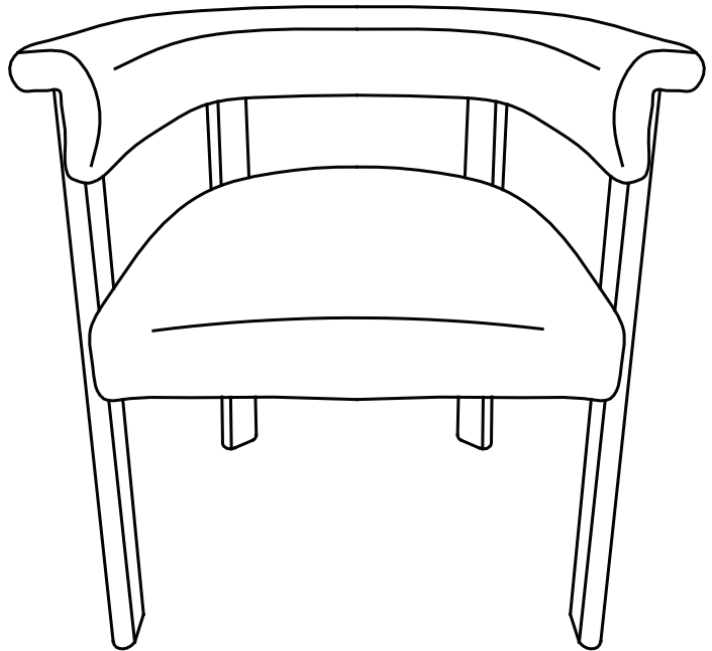
## ♥ CARING FOR YOUR ITEM

Indoor use only.

Not contract grade.

Spot clean using a non-abrasive cloth and a mild cleaner.

Never use harsh chemicals, as they could damage the finish or integrity of the item.



CONNECT WITH US!   

Tag us @modway\_furniture and #modway for a chance to be featured.