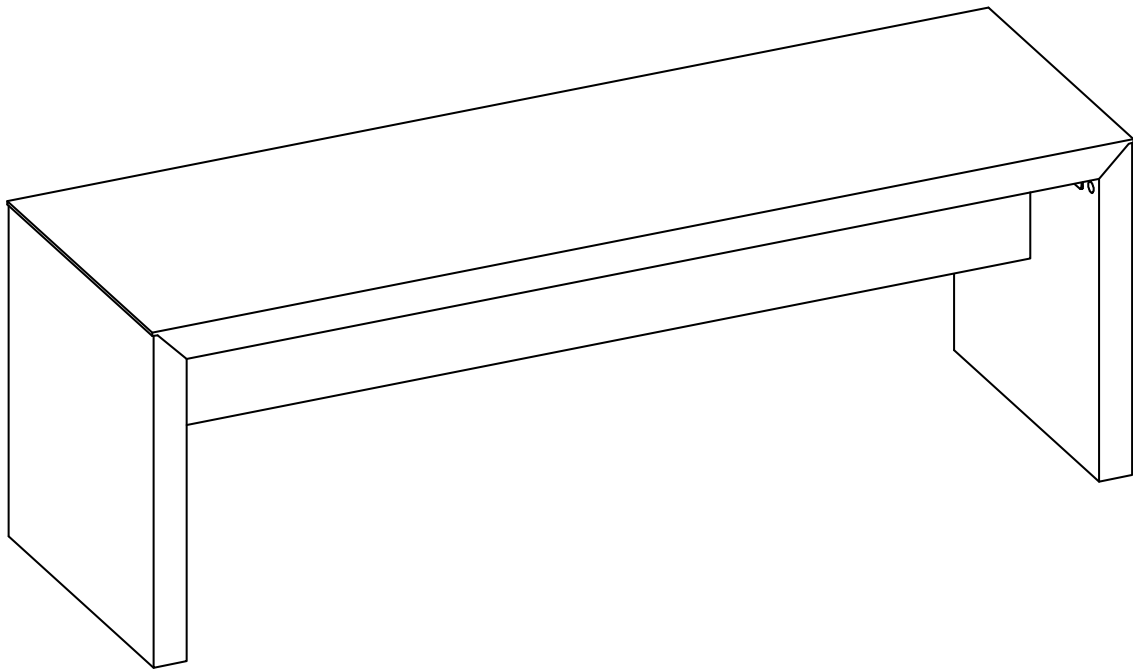


ASSEMBLY INSTRUCTIONS

EEI-6774

V0.04.12.23



Questions? Contact us!

609.256.9000 • cs@modway.com

www.modway.com

*modway

Let's get started!

*modway



Read through all of the instructions before starting



Care instructions are listed in the last step of this manual



Approx. 15 minutes assembly time



Make sure you have all parts and components before discarding any packing materials



1 people recommended for assembly

Only use hand tools to assemble this item. Do not use power tools. Do not tighten bolts or screws completely until all hardware is lined up and inserted into the holes.

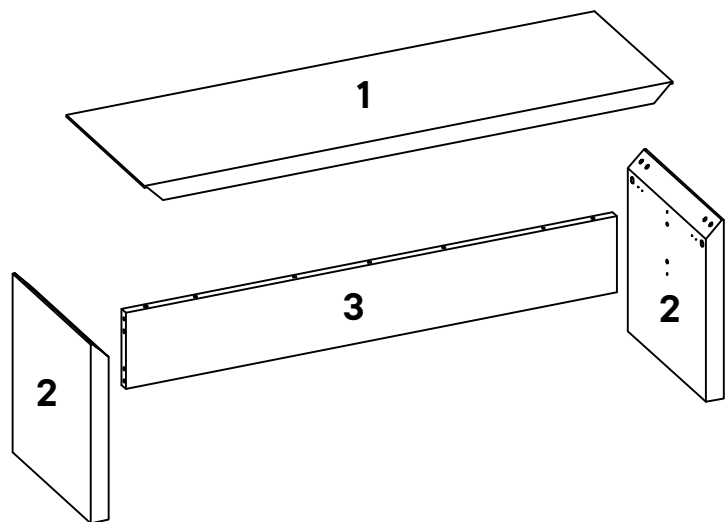
Do not over-tighten screws and bolts to avoid stripping the hardware or cracking the item.

Assemble your item on a flat, carpeted area, with plenty of space to work. This will prevent damage and scratches to your floors or the item while you're assembling the product.

Keep all components and packaging out of reach of children or animals to avoid risk of choking or suffocation.

Furniture components:

1	Top Panel	x1
2	Side Panel	x2
3	Horizontal Panel	x1



Provided hardware:

A		Cam Bolt M6 x 32mm	x7
B		Camlock Ø15 mm	x15
C		Sticker	x15
D		Dowel Ø7.8 x 32 mm	x12
E		Connecting Bolt Angle	x4
F		Corner Plate	x4
G		Screw Ø6 x 19 mm	x24
H		Floor Glide	x4

Wait!

Missing parts or hardware? Need assistance?

Contact us before returning your item. We're here to help!

609.256.9000 • cs@modway.com

Step 1

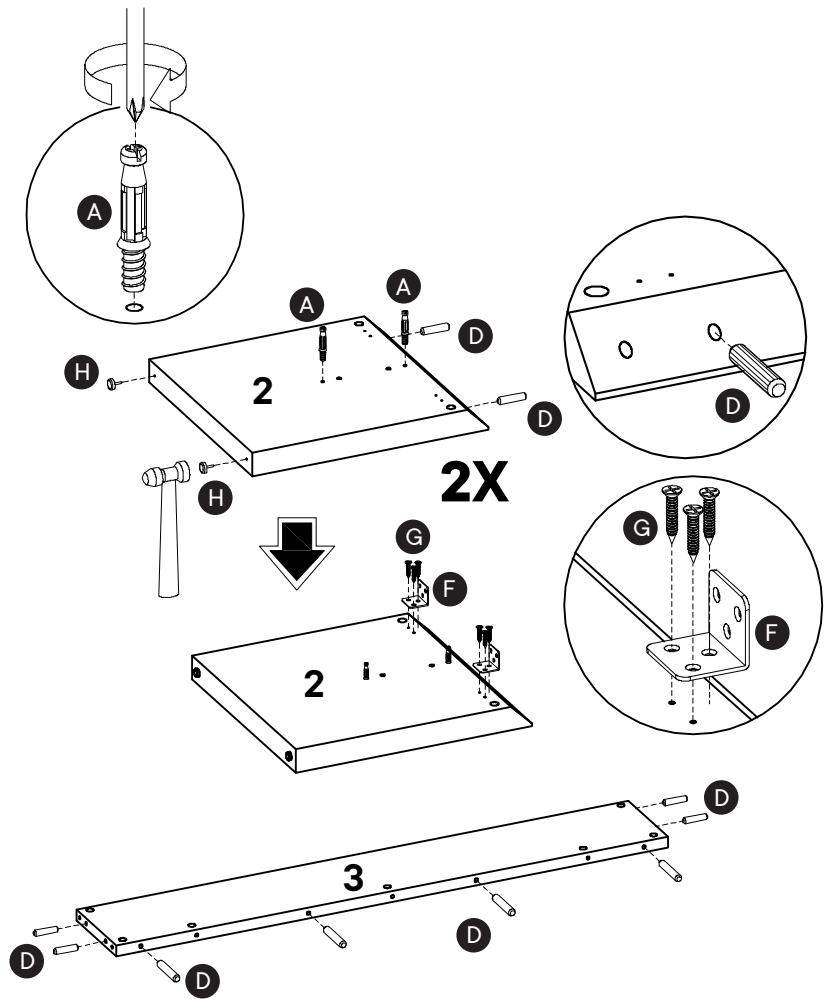
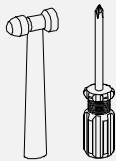
COMPONENTS

- 2 Side Panel x2
- 3 Horizontal Panel x1

HARDWARE

- A Cambolt Ø6 x 32 mm x4
- D Dowel Ø7.8 x 32 mm x12
- F Corner Plate x4
- G Screw Ø6 x 19 mm x12
- H Floor Glide x4

TOOLS (NOT PROVIDED)



Step 2

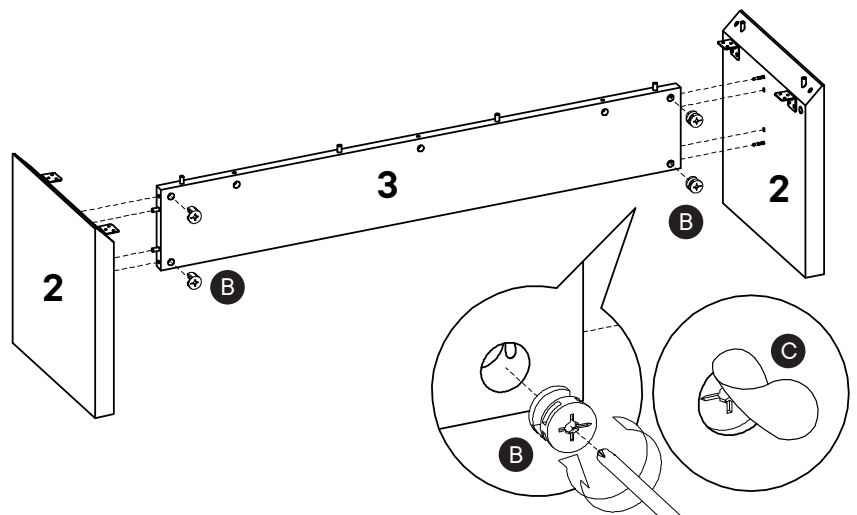
COMPONENTS

- 2 Side Panel x2
- 3 Horizontal Panel x1

HARDWARE

- B Camlock Ø15 mm x4
- C Sticker x4

TOOLS (NOT PROVIDED)



Step 3

COMPONENTS

1 Top Panel x1

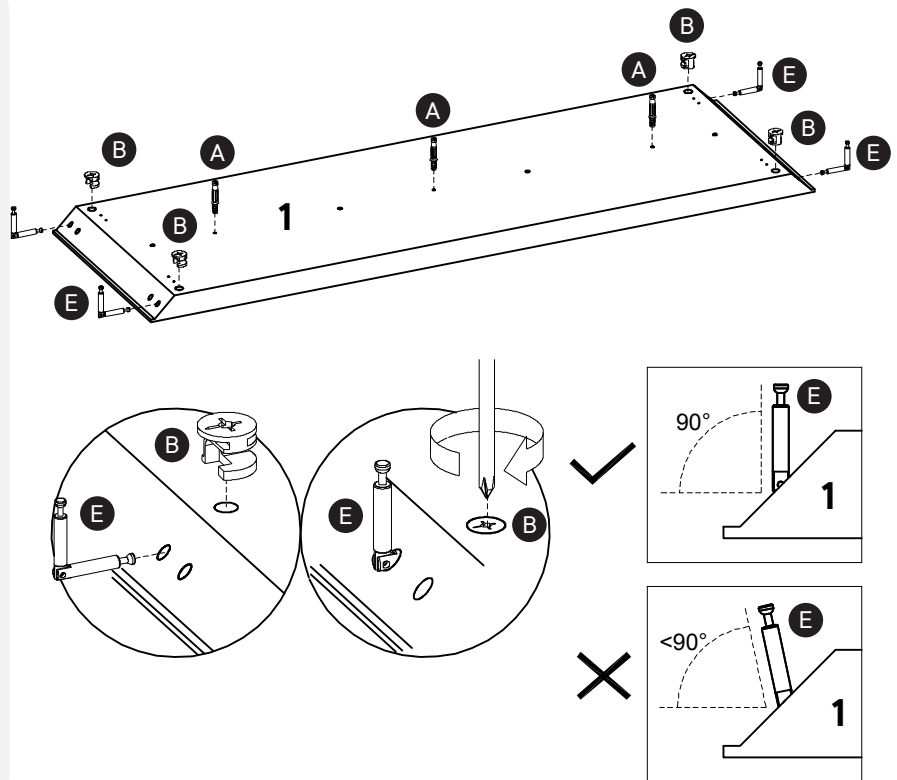
HARDWARE

A Cambolt Ø6 x 32 mm x3

B Camlock Ø15 mm x4

E Connecting Bolt Angle x4

TOOLS (NOT PROVIDED)



Step 4

COMPONENTS

1 Top Panel x1

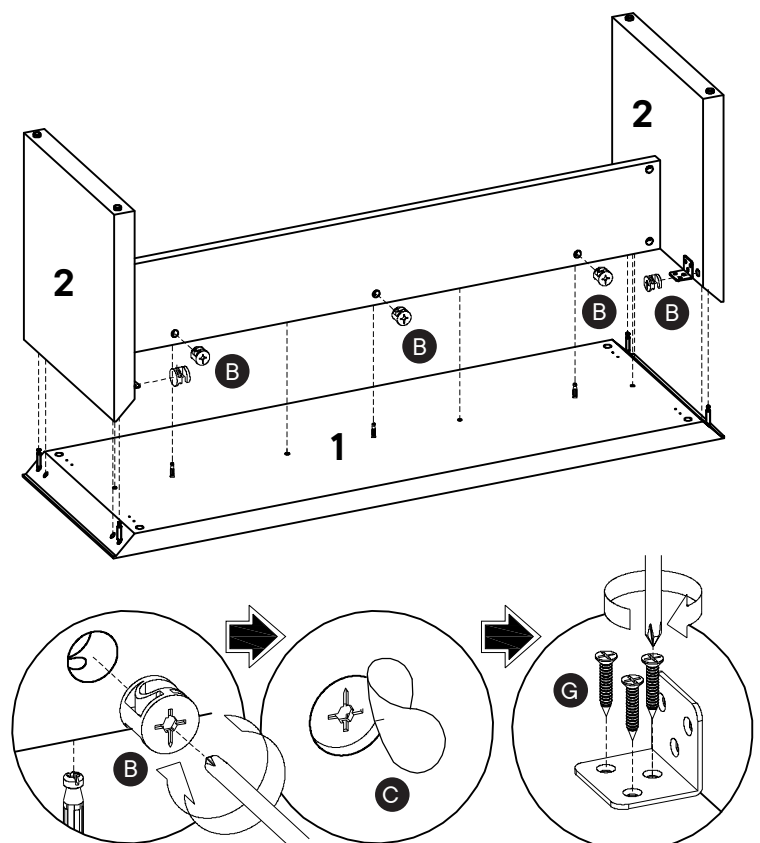
HARDWARE

B Camlock Ø15 mm x7

C Sticker x11

G Screw Ø6x19 mm x12

TOOLS (NOT PROVIDED)



Great job!

Your Bench is complete.

♥ CARING FOR YOUR ITEM

Depending on use, it may be necessary to tighten the hardware from time to time, so please save the tools that have been provided.

Not contract grade.

Clean using a non-abrasive cloth and a mild cleaner.

CONNECT WITH US!

Tag us [@modway_furniture](#) and [#modway](#) for a chance to be featured.

