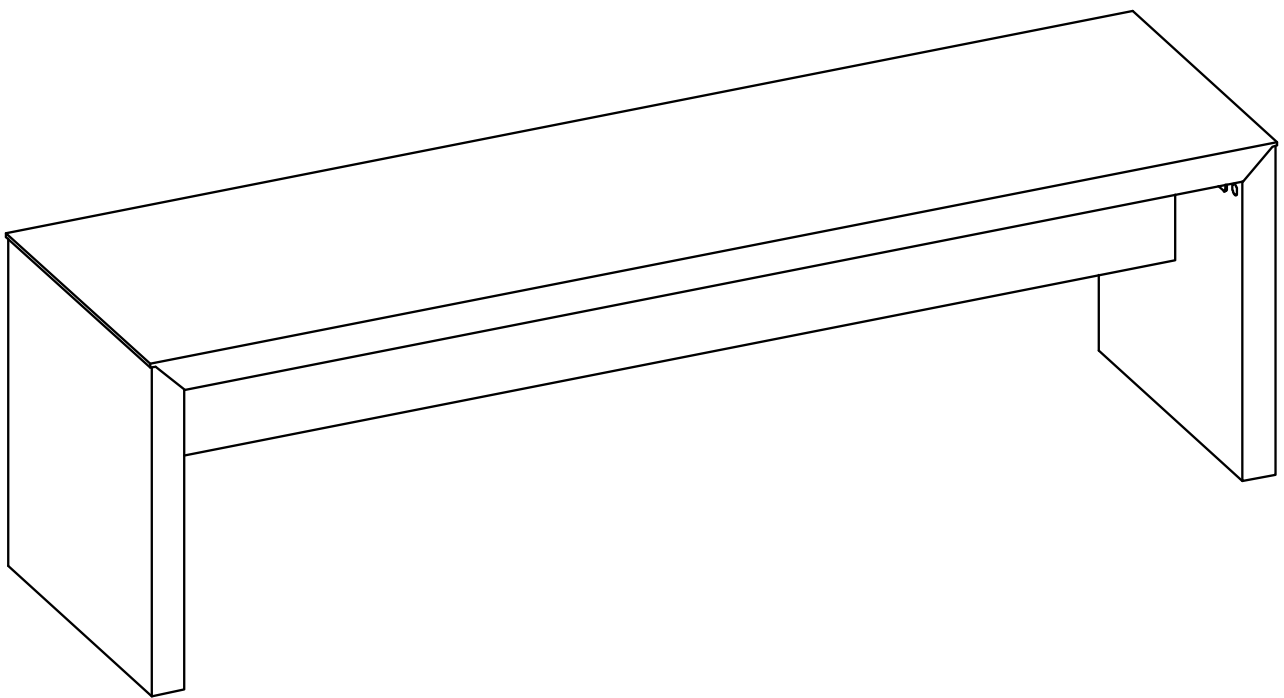


ASSEMBLY INSTRUCTIONS

EEI-6773

V0.04.12.23



Questions? Contact us!

609.256.9000 • cs@modway.com
www.modway.com

***modway**

Let's get started!

*modway



Read through all of the instructions before starting



Care instructions are listed in the last step of this manual



Approx. 15 minutes assembly time



Make sure you have all parts and components before discarding any packing materials



1 people recommended for assembly

Only use hand tools to assemble this item. Do not use power tools. Do not tighten bolts or screws completely until all hardware is lined up and inserted into the holes.

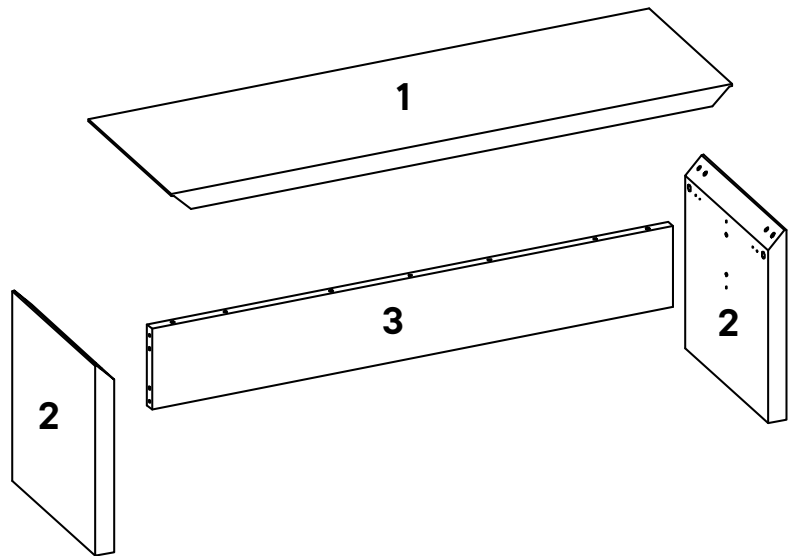
Do not over-tighten screws and bolts to avoid stripping the hardware or cracking the item.

Assemble your item on a flat, carpeted area, with plenty of space to work. This will prevent damage and scratches to your floors or the item while you're assembling the product.

Keep all components and packaging out of reach of children or animals to avoid risk of choking or suffocation.

Furniture components:

1	Top Panel	x1
2	Side Panel	x2
3	Horizontal Panel	x1



Provided hardware:

A		Cam Bolt M6 x 32mm	x8
B		Camlock Ø15 mm	x16
C		Sticker	x16
D		Dowel Ø7.8 x 32 mm	x11
E		Connecting Bolt Angle	x4
F		Corner Plate	x4
G		Screw Ø6 x 19 mm	x24
H		Floor Glide	x4

Wait!

Missing parts or hardware? Need assistance?

Contact us before returning your item. We're here to help!
609.256.9000 • cs@modway.com

Step 1

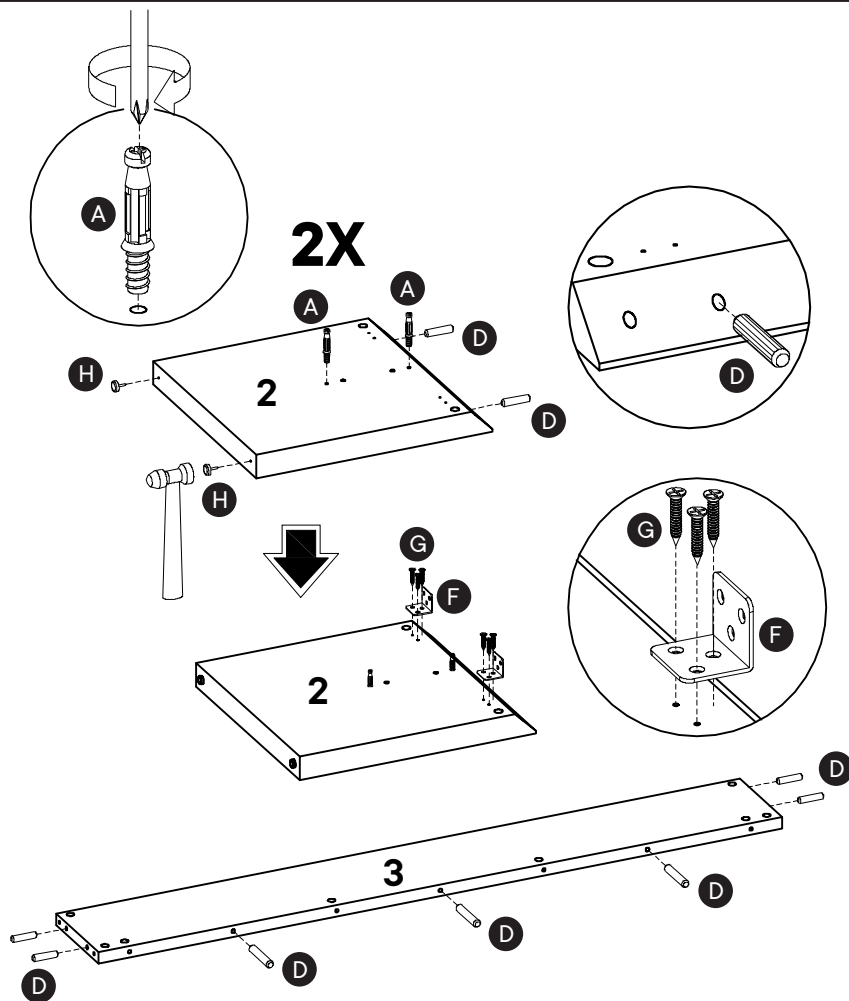
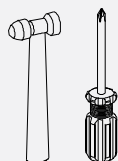
COMPONENTS

- 2 Side Panel x2
- 3 Horizontal Panel x1

HARDWARE

- A Cambolt $\varnothing 6 \times 32$ mm x4
- D Dowel $\varnothing 7.8 \times 32$ mm x11
- F Corner Plate x4
- G Screw $\varnothing 6 \times 19$ mm x12
- H Floor Glide x4

TOOLS (NOT PROVIDED)



Step 2

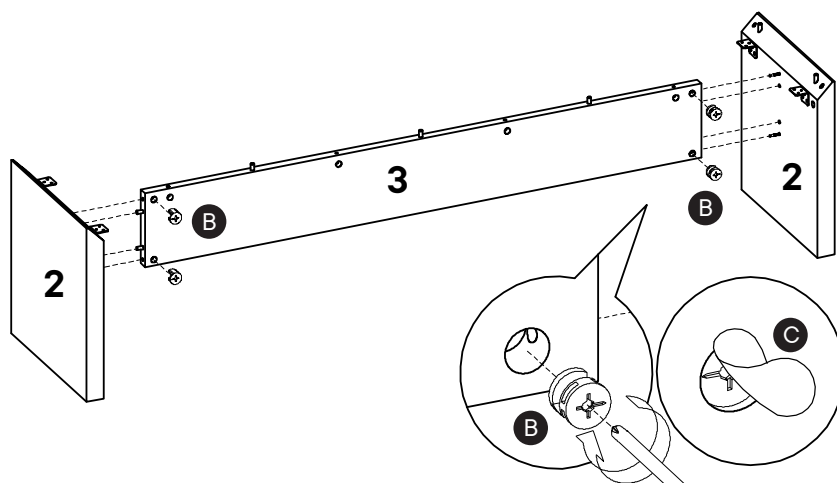
COMPONENTS

- 2 Side Panel x2
- 3 Horizontal Panel x1

HARDWARE

- B Camlock $\varnothing 15$ mm x4
- C Sticker x4

TOOLS (NOT PROVIDED)



Step 3

COMPONENTS

1 Top Panel x1

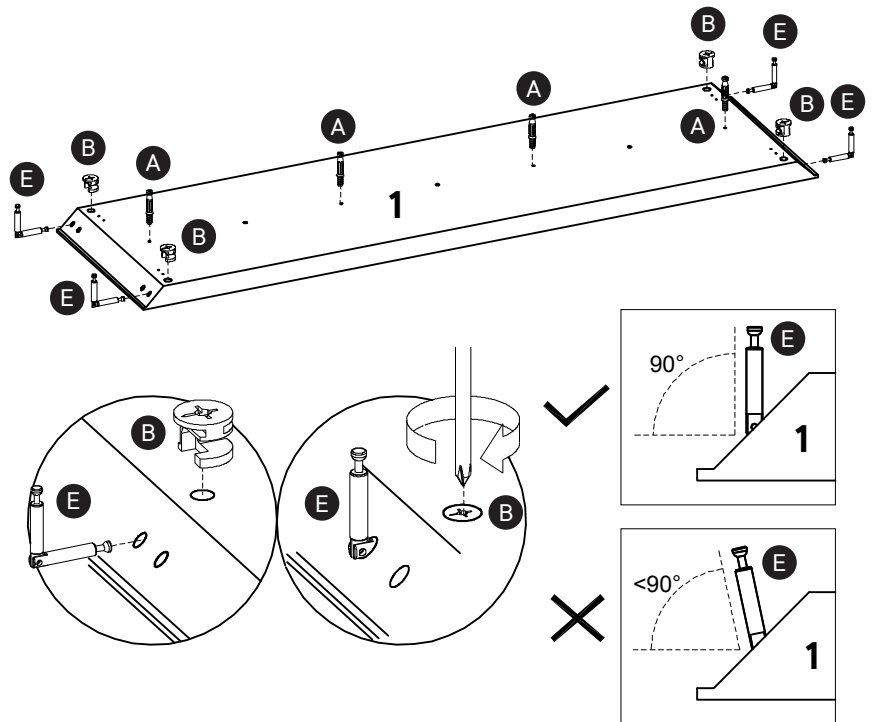
HARDWARE

A Cambolt $\varnothing 6 \times 32$ mm x4

B Camlock $\varnothing 15$ mm x4

E Connecting Bolt Angle x4

TOOLS (NOT PROVIDED)



Step 4

COMPONENTS

1 Top Panel x1

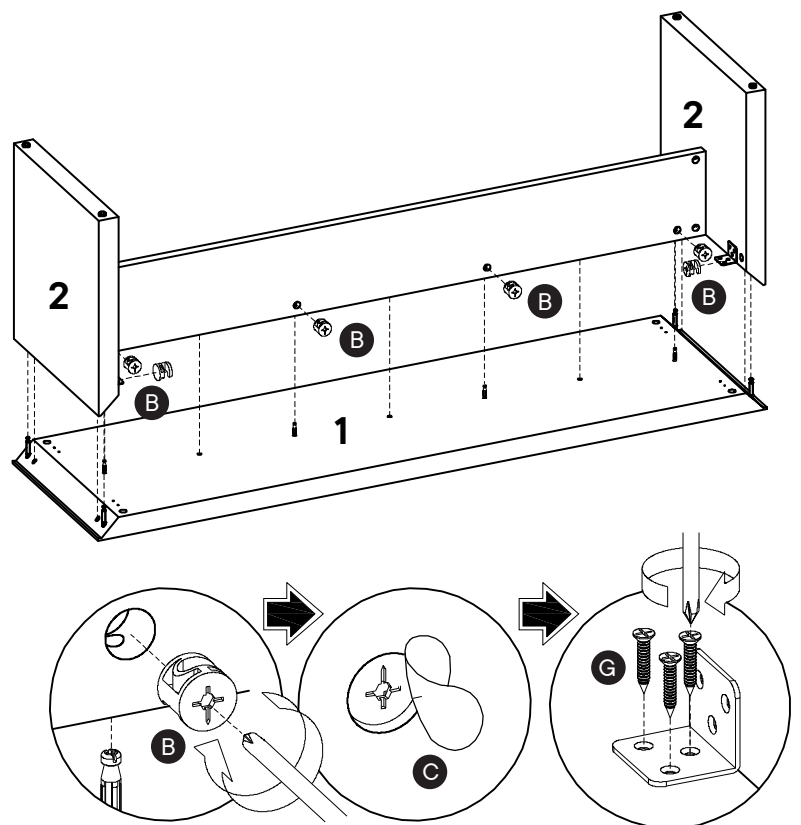
HARDWARE

B Camlock $\varnothing 15$ mm x8

C Sticker x12

G Screw $\varnothing 6 \times 19$ mm x12

TOOLS (NOT PROVIDED)



Great job!

Your Bench is complete.

♥ CARING FOR YOUR ITEM

Depending on use, it may be necessary to tighten the hardware from time to time, so please save the tools that have been provided.

Not contract grade.

Clean using a non-abrasive cloth and a mild cleaner.

CONNECT WITH US!   

Tag us **@modway_furniture** and **#modway** for a chance to be featured.

