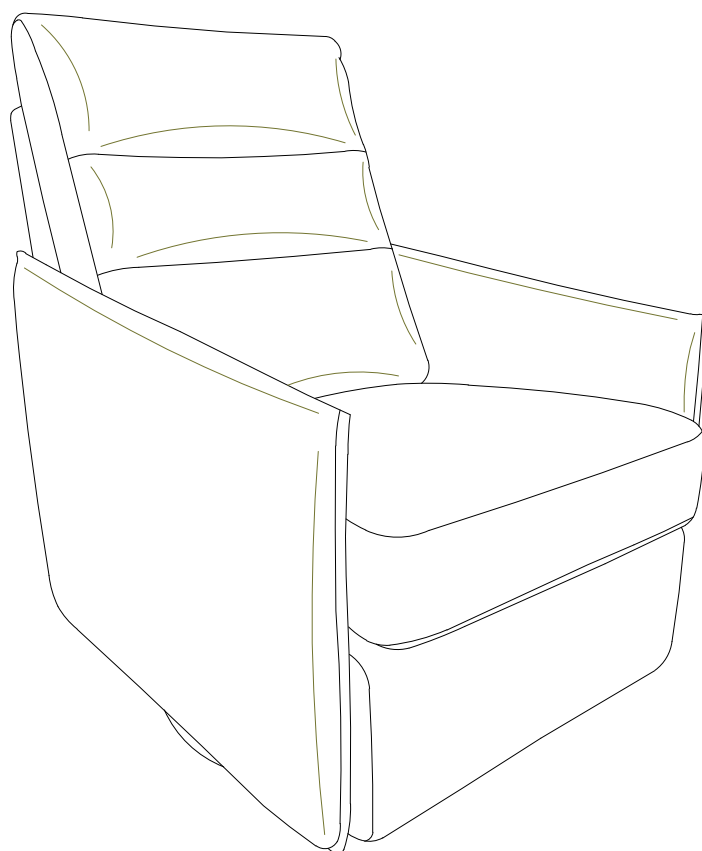


ASSEMBLY INSTRUCTIONS

EEI-6738

V1.12.21.21



Questions? Contact us!

609.256.9000 • cs@modway.com
www.modway.com

***modway**



Read through all of the instructions before starting



Care instructions are listed in the last step of this manual



Approx. 10 minutes assembly time



Make sure you have all parts and components before discarding any packing materials



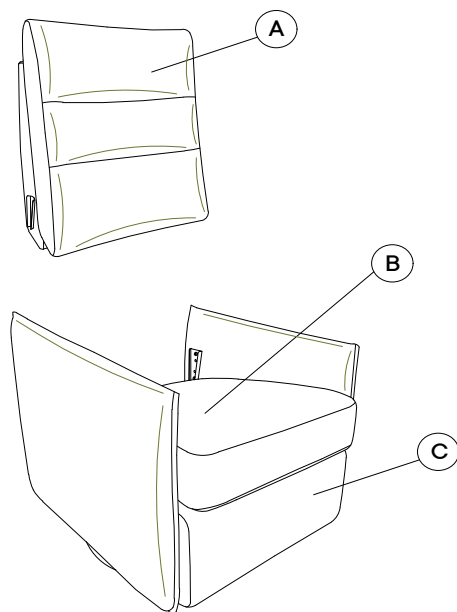
1 people recommended for assembly

Assemble your item on a flat, carpeted area, with plenty of space to work. This will prevent damage and scratches to your floors or the item while you're assembling the product.

Keep all components and packaging out of reach of children or animals to avoid risk of choking or suffocation.

Furniture components:

A	Back Rest	x1
B	Seat Cushion	x1
C	Seat Base	x1



CARING FOR YOUR ITEM

Not contract grade.

Clean using a non-abrasive cloth and a mild cleaner.

Never use harsh chemicals, as they could damage the finish or integrity of the item.

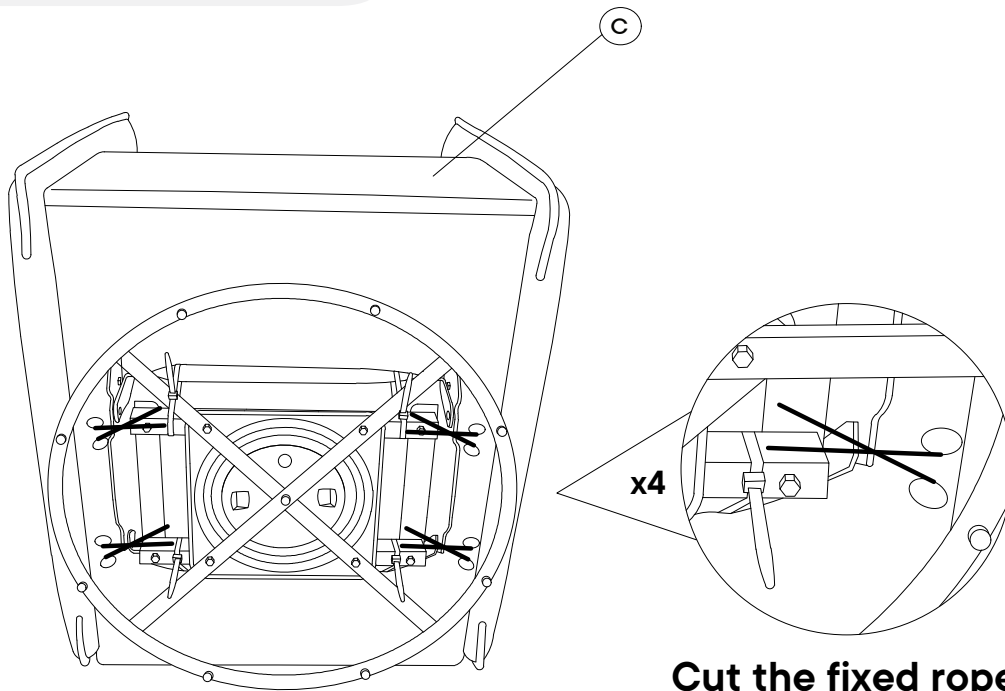
Wait!

Missing parts or hardware? Need assistance? Contact us before returning your item. We're here to help!
609.256.9000 • cs@modway.com

Step 1

COMPONENTS

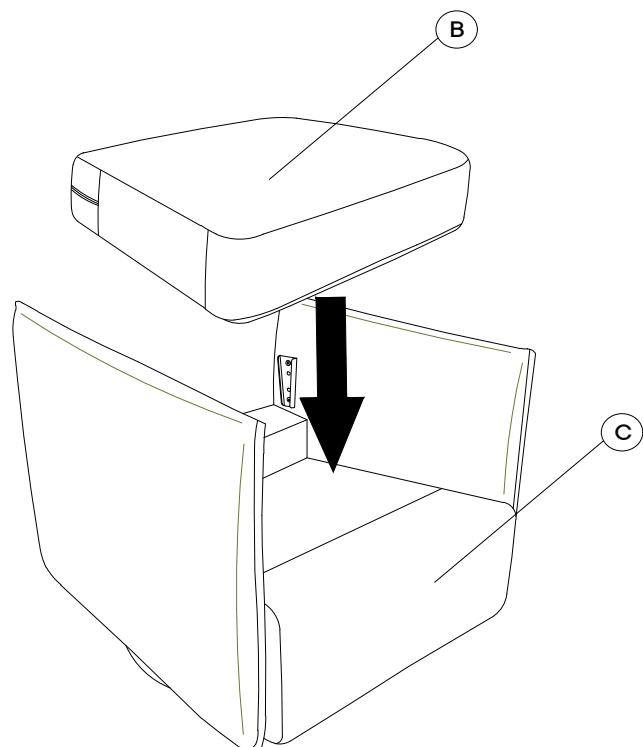
- C** Seat Base x1



Step 2

COMPONENTS

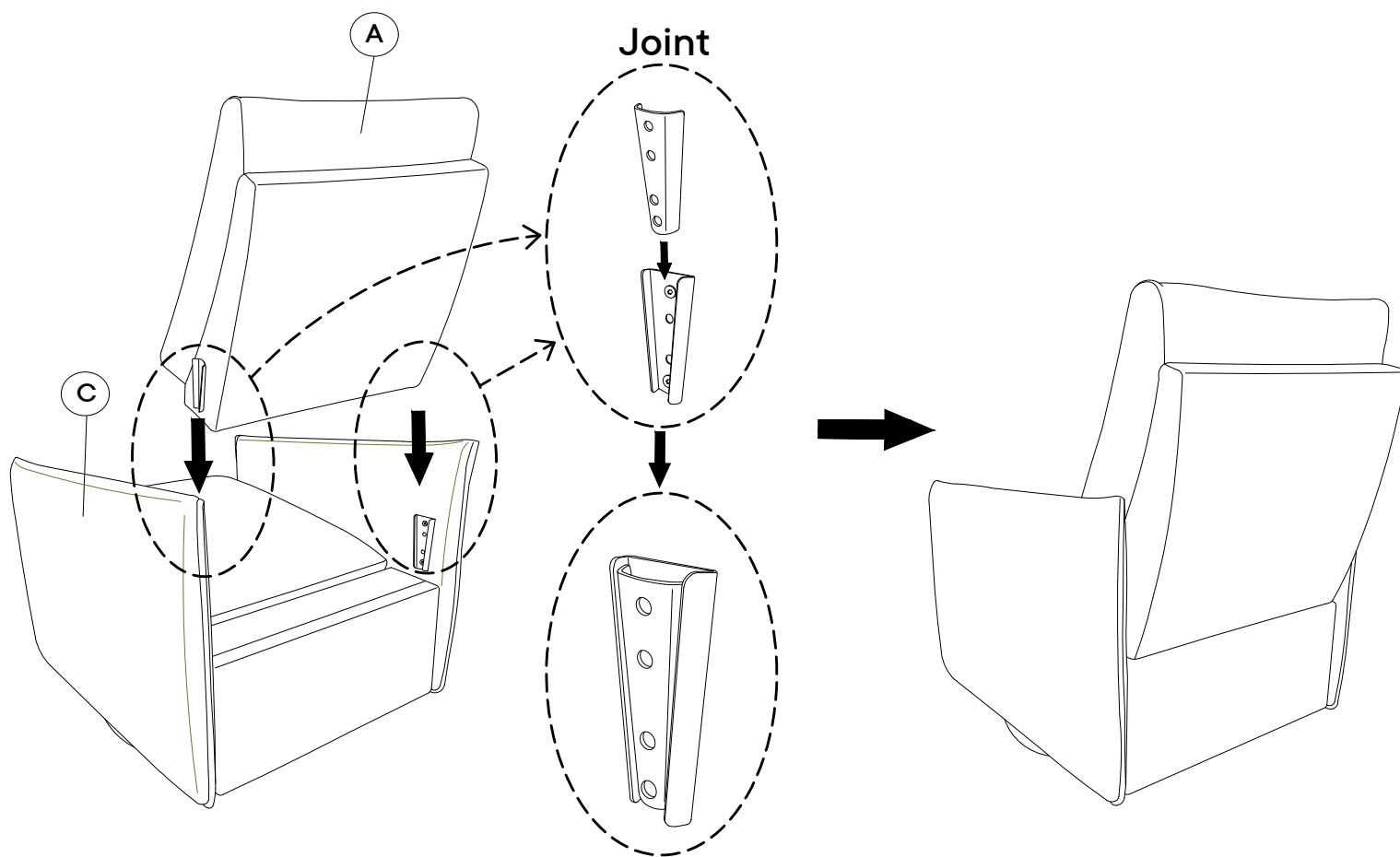
- B** Seat Cushion x1
- C** Seat Base x1



Step 3

COMPONENTS

- A** Back Rest x1
- C** Seat Base x1



Great job!

Swivel chair + Glider assembly is complete.

♥ CARING FOR YOUR ITEM

Not contract grade.

Clean using a non-abrasive cloth and a mild cleaner.

Never use harsh chemicals, as they could damage the finish or integrity of the item.

CONNECT WITH US!



Tag us **@modway_furniture** and **#modway** for a chance to be featured.

