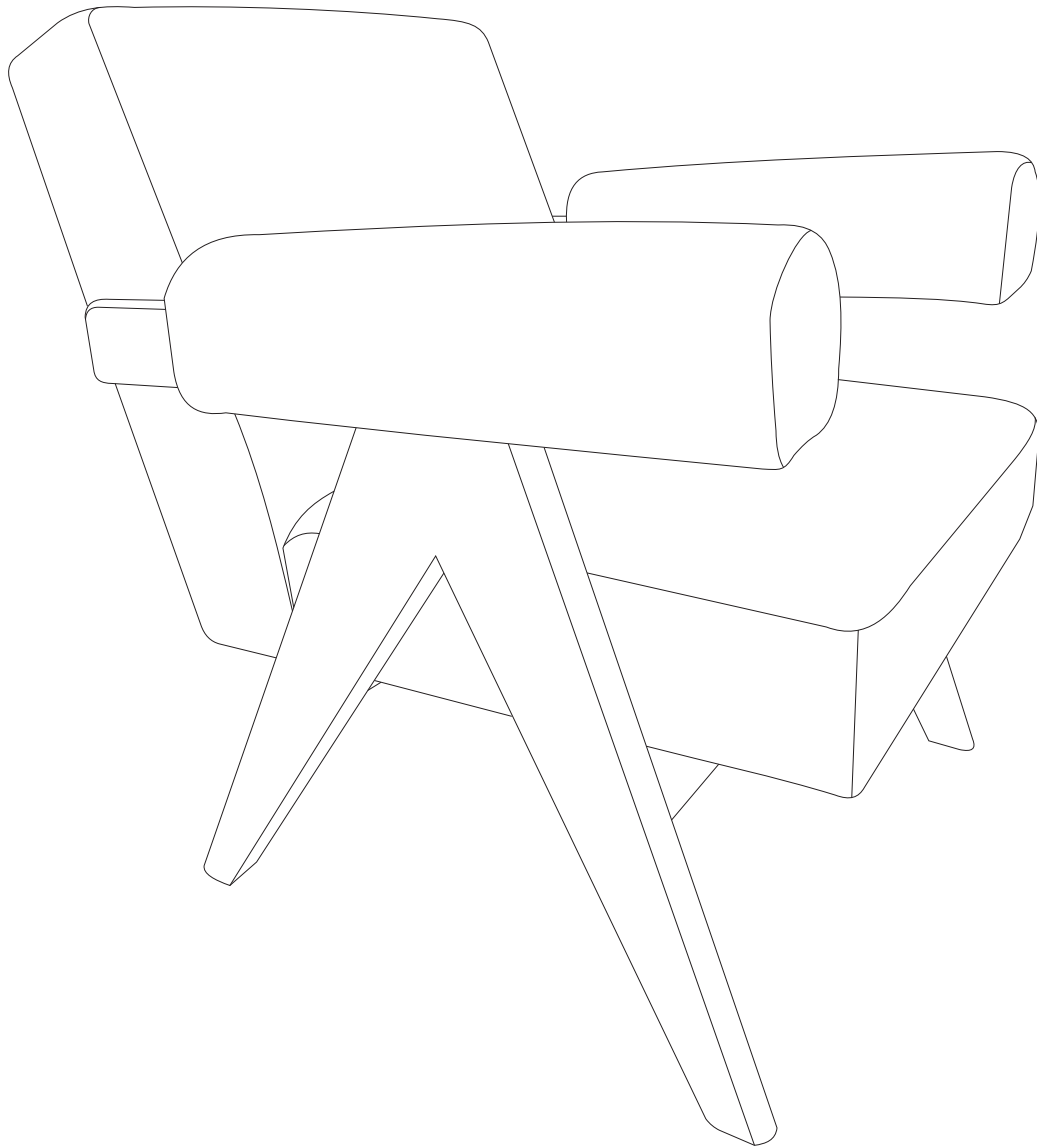


# ASSEMBLY INSTRUCTIONS

# EEI-6502/6503

V0.12.12.23



**Questions? Contact us!**

609.256.9000 • [cs@modway.com](mailto:cs@modway.com)  
[www.modway.com](http://www.modway.com)

**\*modway**



Read through all of the instructions before starting



Care instructions are listed in the last step of this manual



Approx. 30 minutes assembly time



Make sure you have all parts and components before discarding any packing materials



2 people recommended for assembly

**Only use hand tools to assemble this item.** Do not use power tools. Do not tighten bolts or screws completely until all hardware is lined up and inserted into the holes.

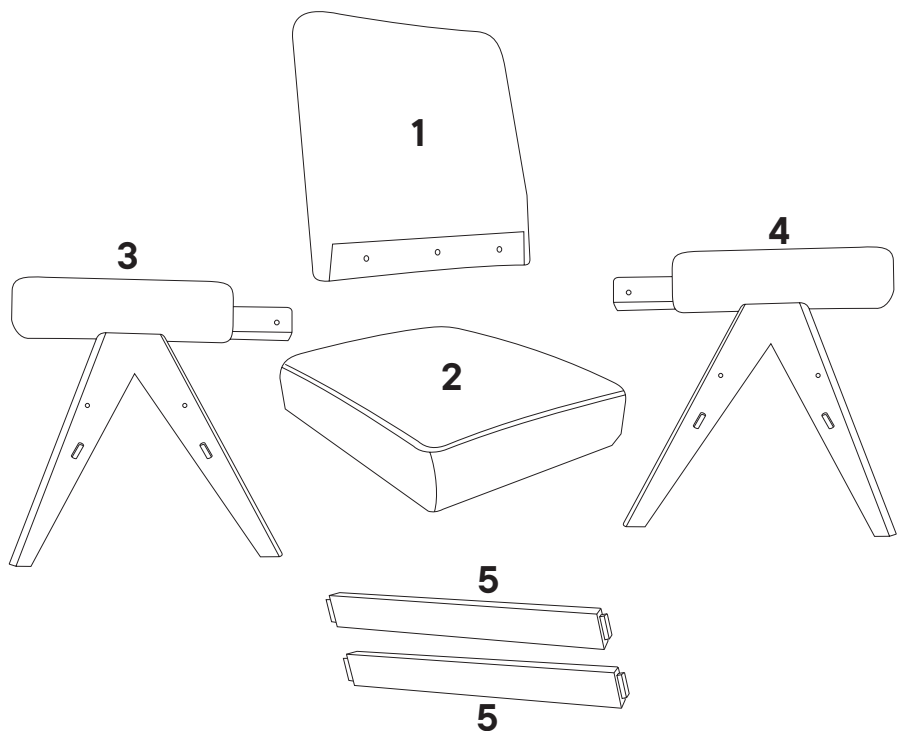
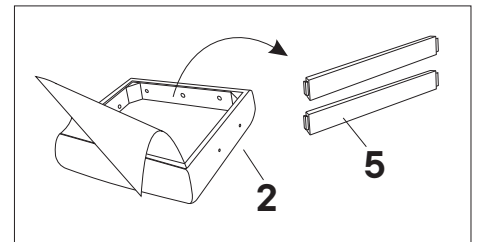
Do not over-tighten screws and bolts to avoid stripping the hardware or cracking the item.

Assemble your item on a flat, carpeted area, with plenty of space to work. This will prevent damage and scratches to your floors or the item while you're assembling the product.

Keep all components and packaging out of reach of children or animals to avoid risk of choking or suffocation.

## Furniture components:

1	Back Cushion	x1
2	Seat Cushion	x1
3	Left Arm	x1
4	Right Arm	x1
5	Stretcher	x2



## Provided hardware:

A		Bolt M8 x 45mm	x4
B		Bolt M8 x 60mm	x3
C		Bolt M8 x 60mm	x2
D		Flat Washer	x7
E		Spring Washer	x7
F		Screw M4 x 45mm	x4
G		Allen Key	x1

## What you need:



Wait!

Missing parts or hardware? Need assistance?  
Contact us before returning your item. We're here to help!  
609.256.9000 • cs@modway.com

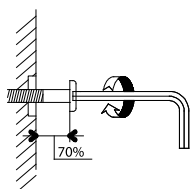
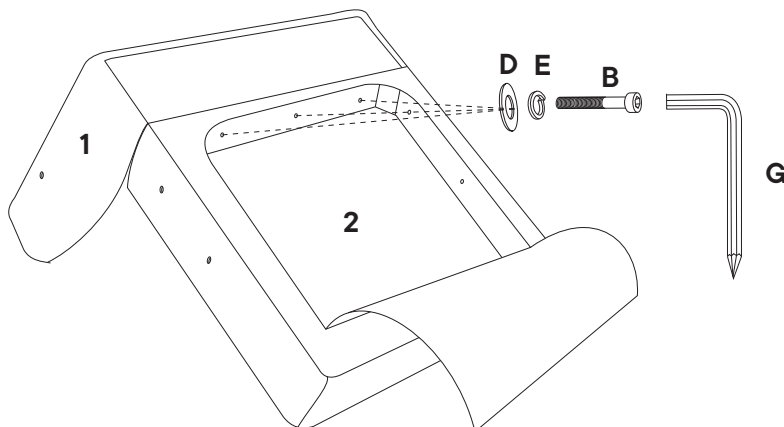
# Step 1

## COMPONENTS

- ① Back Cushion x1
- ② Seat Cushion x1

## HARDWARE

- Ⓑ Bolt M8 x 60mm x3
- Ⓓ Flat Washer x3
- Ⓔ Spring Washer x3
- Ⓖ Allen Key x1



**NOTE :** Do not fully tighten the bolt

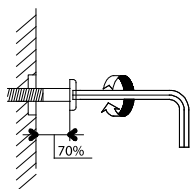
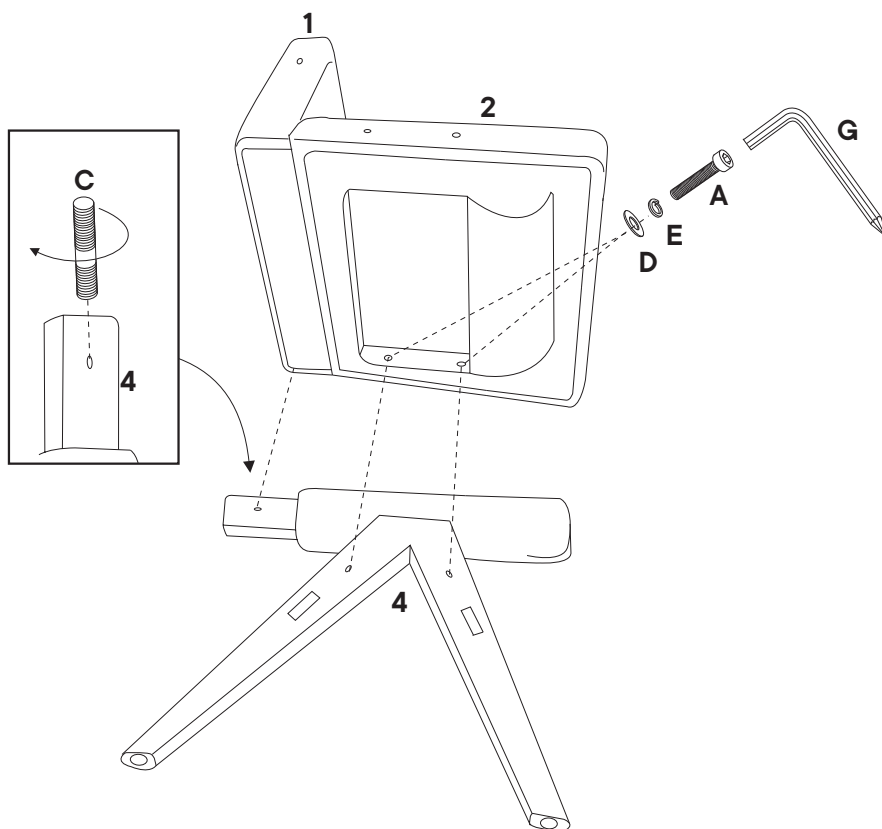
# Step 2

## COMPONENTS

- ① Back Cushion x1
- ② Seat Cushion x1
- ④ Right Arm x1

## HARDWARE

- Ⓐ Bolt M8 x 45mm x2
- Ⓒ Bolt M8 x 60mm x1
- Ⓓ Flat Washer x2
- Ⓔ Spring Washer x2
- Ⓖ Allen Key x1



**NOTE :** Do not fully tighten the bolt

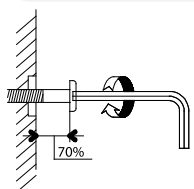
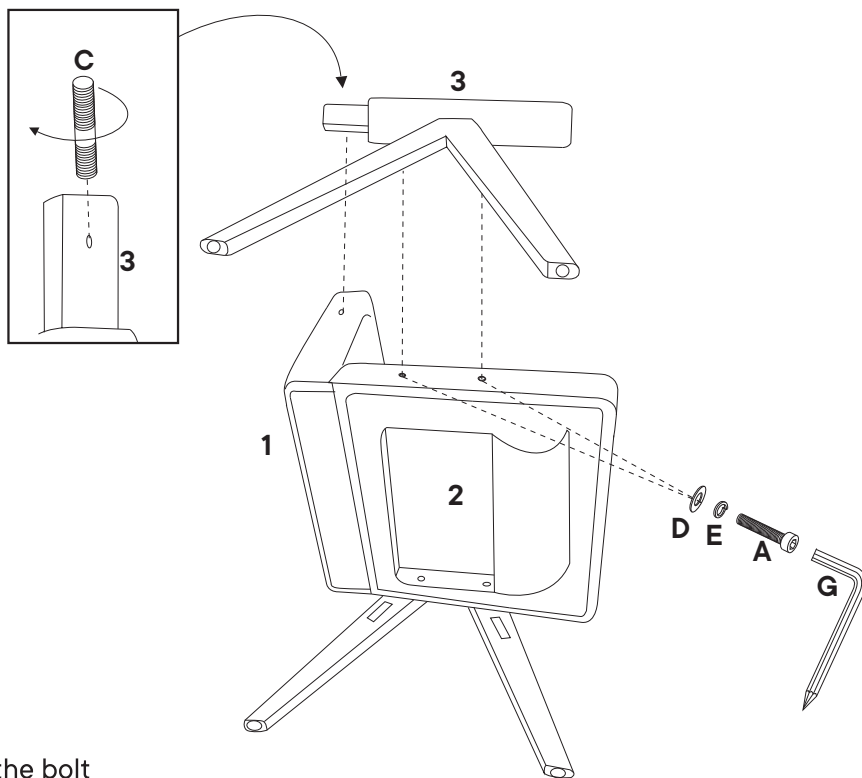
# Step 3

## COMPONENTS

- ① Back Cushion x1
- ② Seat Cushion x1
- ③ Left Arm x1

## HARDWARE

- Ⓐ Bolt M8 x 45mm x2
- Ⓒ Bolt M8 x 60mm x1
- Ⓓ Flat Washer x2
- Ⓔ Spring Washer x2
- Ⓖ Allen Key x1



**NOTE :** Do not fully tighten the bolt

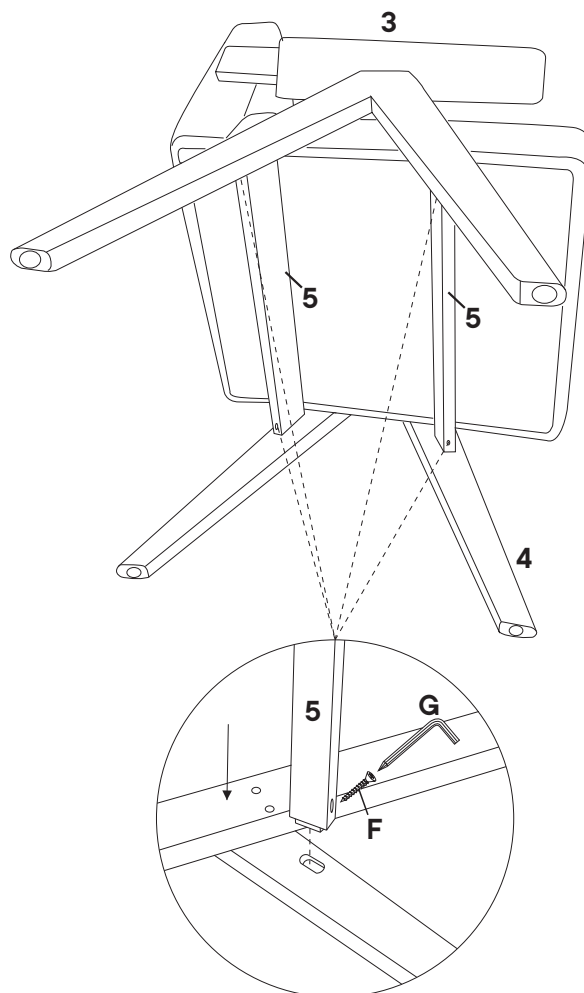
# Step 4

## COMPONENTS

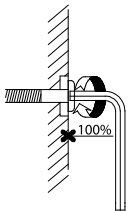
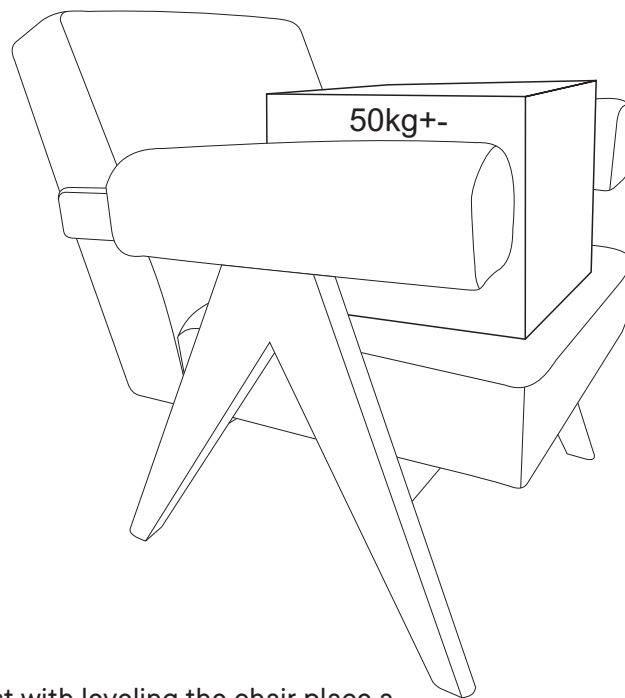
- ③ Left Arm x1
- ④ Right Arm x1
- ⑤ Stretcher x2

## HARDWARE

- Ⓕ Screw M4 x 45mm x4
- Ⓖ Allen Key x1



## Step 5



**NOTE :** To assist with leveling the chair place a heavy object or have an adult sit on the Seat Cushion(2) to pressure the chair for leveling and fully tighten all bolts with Allen Key (G) to secure all legs.

## Great job!

Your arm chair is complete and ready to enjoy.

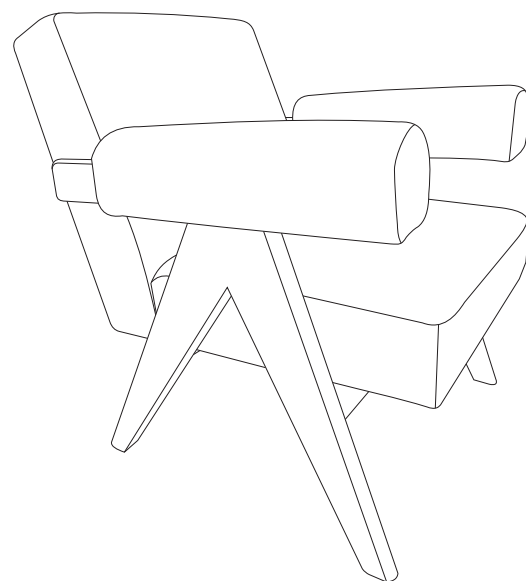
### ♥ CARING FOR YOUR ITEM

Indoor use only.

Not contract grade.

Clean using a non-abrasive cloth and a mild cleaner.

Never use harsh chemicals, as they could damage the finish or integrity of the item.



CONNECT WITH US!   

Tag us @modway\_furniture and #modway for a chance to be featured.