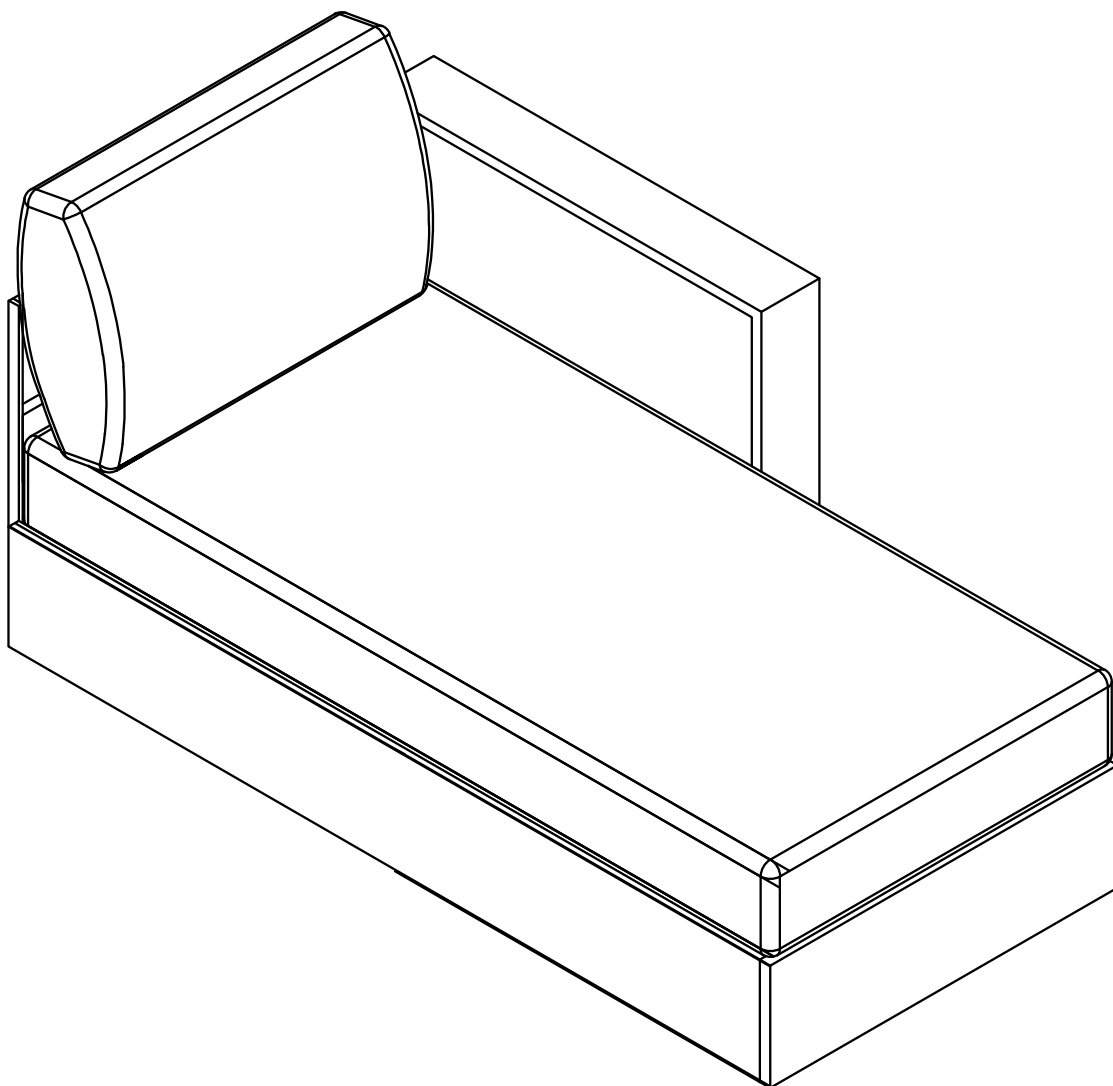


ASSEMBLY INSTRUCTIONS

EEI-6633

V1.07.31.23



Questions? Contact us!

609.256.9000 • cs@modway.com
www.modway.com

*modway

Let's get started!

*modway



Read through all of the instructions before starting



Care instructions are listed in the last step of this manual



Approx. 30 minutes assembly time



Make sure you have all parts and components before discarding any packing materials



2 people recommended for assembly

Only use hand tools to assemble this item. Do not use power tools. Do not tighten bolts or screws completely until all hardware is lined up and inserted into the holes.

Do not over-tighten screws and bolts to avoid stripping the hardware or cracking the item.

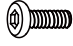



Assemble your item on a flat, carpeted area, with plenty of space to work. This will prevent damage and scratches to your floors or the item while you're assembling the product.

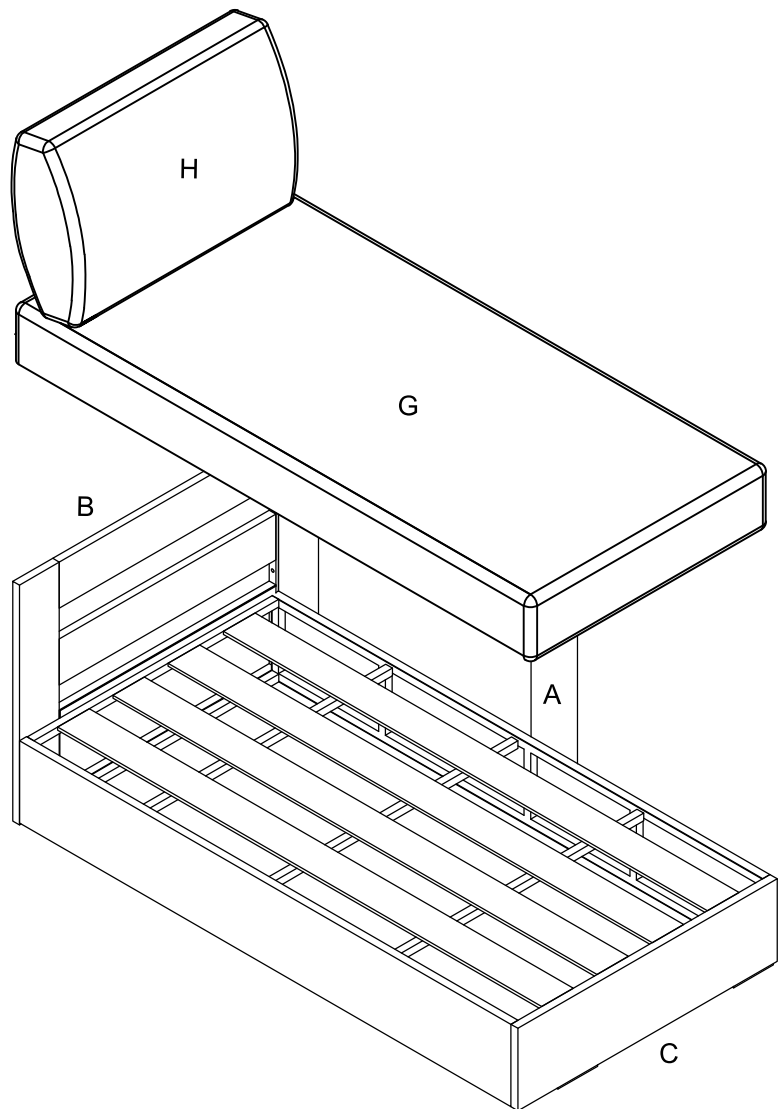
Keep all components and packaging out of reach of children or animals to avoid risk of choking or suffocation.

Furniture components:

A	Right Arm	x1
B	Back Frame	x1
C	Chaise Seat Base	x1
G	Chaise Seat Cushion	x1
H	Chaise Back Cushion	x1

Provided hardware:

D		Bolt M6 x 20mm	x3
E		Bolt M6 x 35mm	x5
F		Allen Wrench	x1
Y		Clip 151*40*20	x2
Z		Clip 56*40*20	x2



Wait!

Missing parts or hardware? Need assistance?
Contact us before returning your item. We're here to help!
609.256.9000 • cs@modway.com

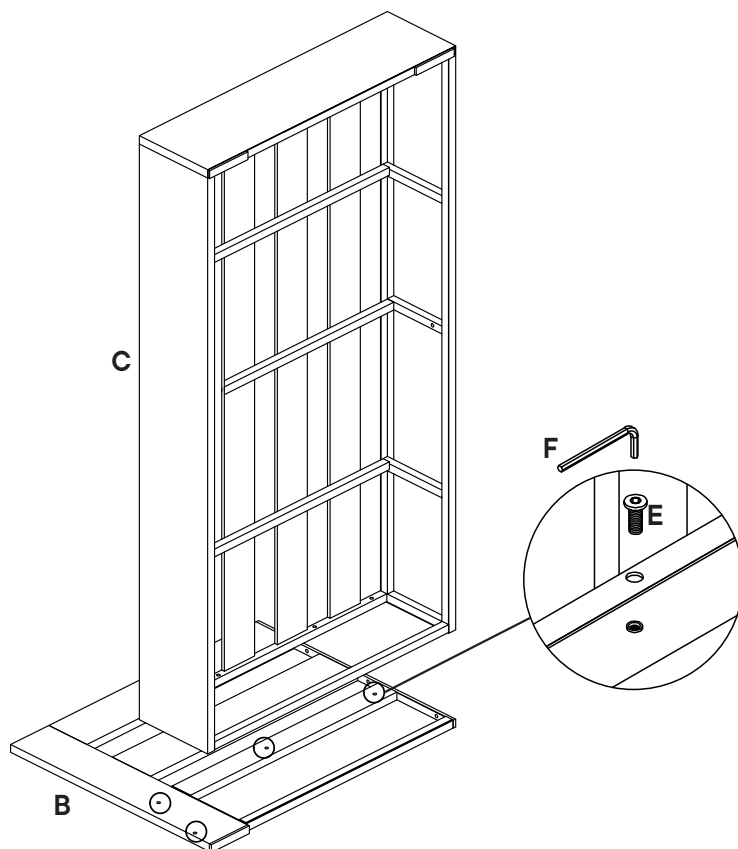
Step 1

COMPONENTS

- B** Back Frame x1
- C** Chaise Seat Base x1

HARDWARE

- E** Bolt M6 x 35mm x4
- F** Allen Wrench x1



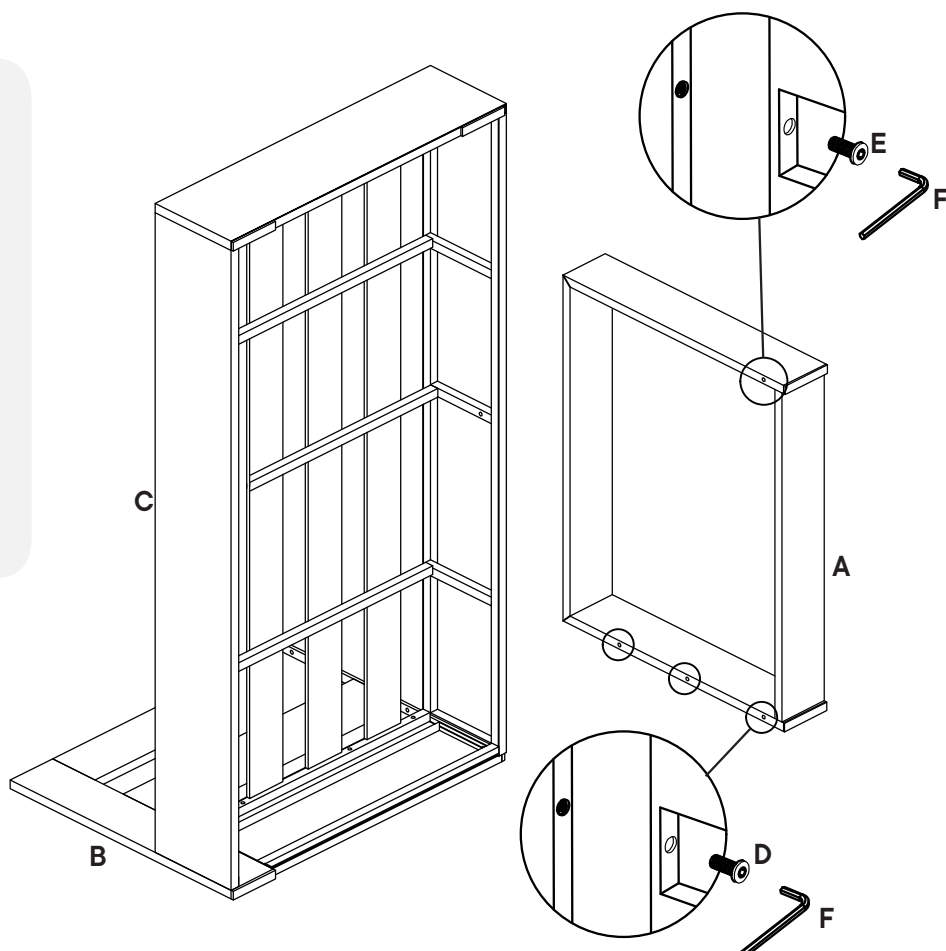
Step 2

COMPONENTS

- A** Right Arm x1
- B** Back Frame x1
- C** Chaise Seat Base x1

HARDWARE

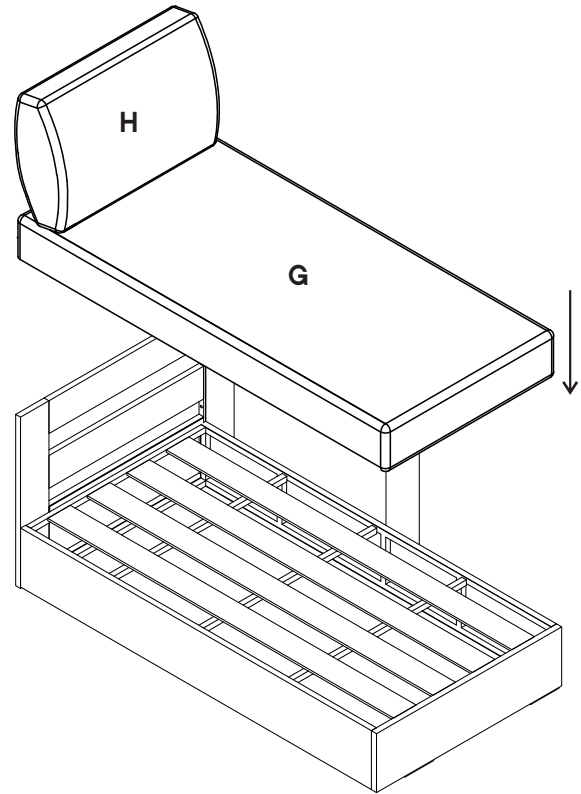
- D** Bolt M6 x 20mm x3
- E** Bolt M6 x 35mm x1
- F** Allen Wrench x1



Step 3

COMPONENTS

- G** Chaise Seat Cushion x1
- H** Chaise Back Cushion x1



Great job!

Your right arm chaise is complete and ready to enjoy.

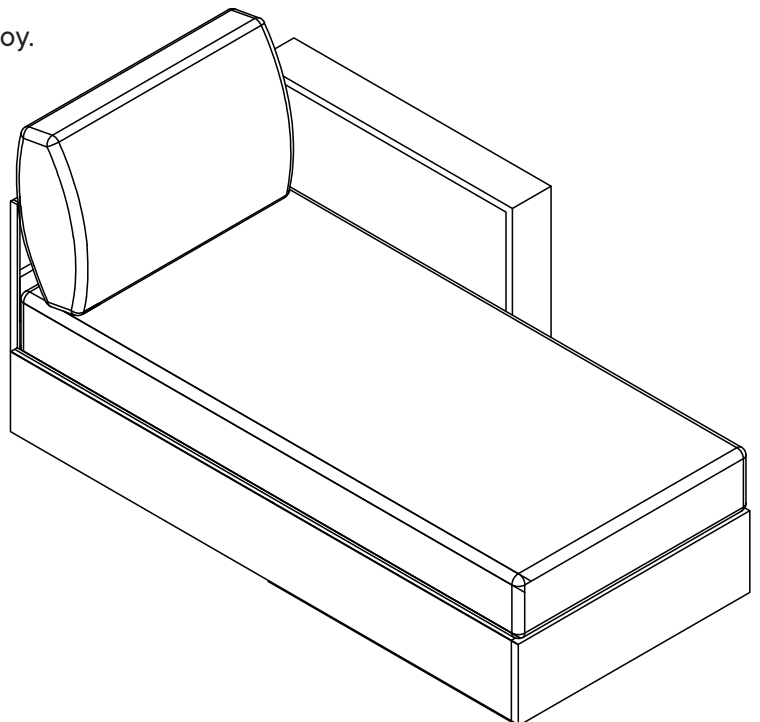
♥ CARING FOR YOUR ITEM

Indoor or outdoor use.

Not contract grade.

Clean using a non-abrasive cloth and a mild cleaner.

Never use harsh chemicals, as they could damage the finish or integrity of the item.



CONNECT WITH US!   

Tag us @modway_furniture and #modway for a chance to be featured.

