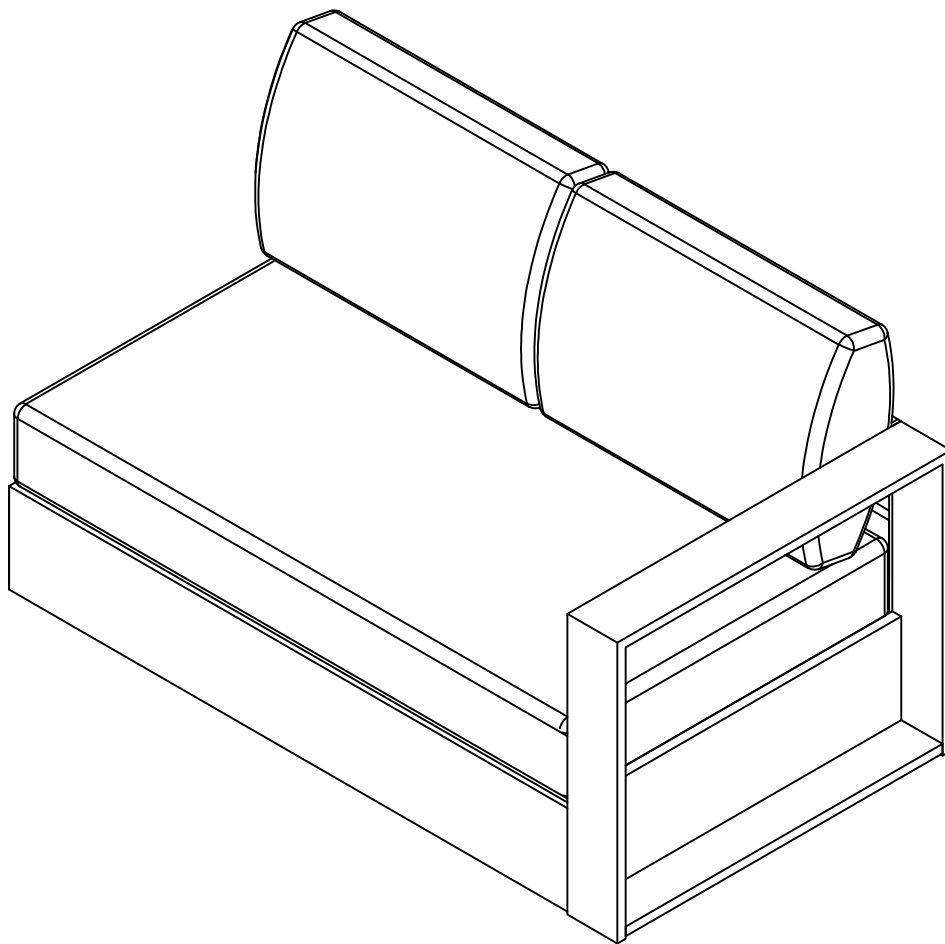


# ASSEMBLY INSTRUCTIONS

# EEI-6630

V1.07.31.23



**Questions? Contact us!**

609.256.9000 • [cs@modway.com](mailto:cs@modway.com)  
[www.modway.com](http://www.modway.com)

\*modway

# Let's get started!

\*modway



Read through all of the instructions before starting



Care instructions are listed in the last step of this manual



Approx. 30 minutes assembly time



Make sure you have all parts and components before discarding any packing materials



2 people recommended for assembly

**Only use hand tools to assemble this item.** Do not use power tools. Do not tighten bolts or screws completely until all hardware is lined up and inserted into the holes.

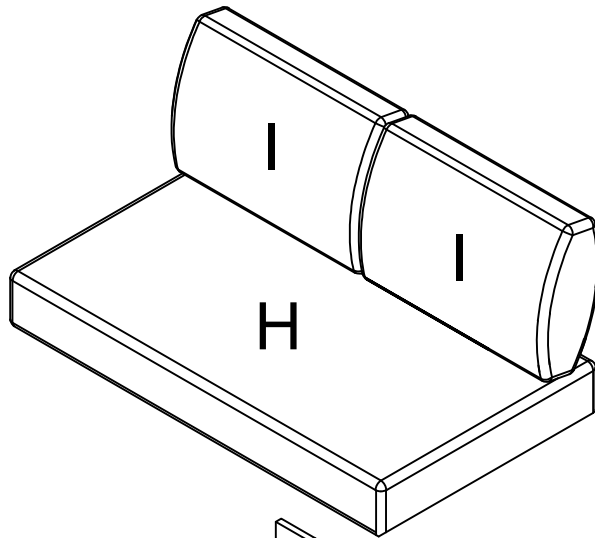
Do not over-tighten screws and bolts to avoid stripping the hardware or cracking the item.

Assemble your item on a flat, carpeted area, with plenty of space to work. This will prevent damage and scratches to your floors or the item while you're assembling the product.

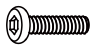
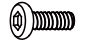


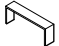
Keep all components and packaging out of reach of children or animals to avoid risk of choking or suffocation.

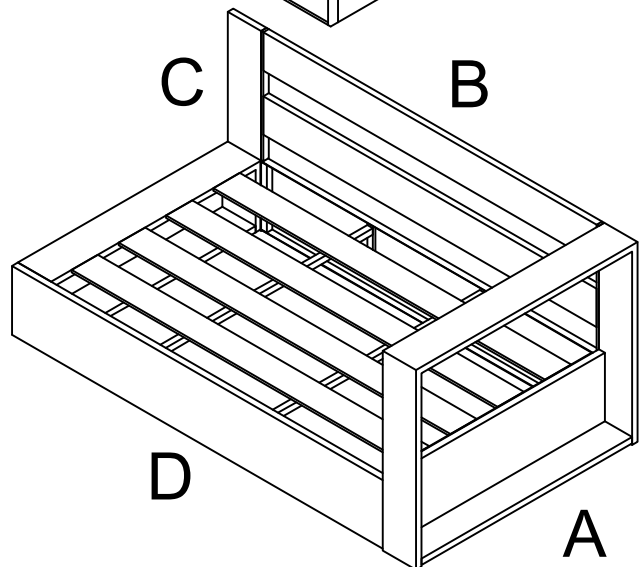
## Furniture components:

A	Right Arm	x1
B	Sofa Back	x1
C	Back Frame	x1
D	Sofa Seat	x1
H	Seat Cushion	x1
I	Back Cushion	x2



## Provided hardware:

E		Bolt M6 x 35mm	x8
F		Bolt M6 x 20mm	x4
G		Allen Wrench	x1
W		Clip 250*40*20	x2
Y		Clip 151*40*20	x2



Wait!

Missing parts or hardware? Need assistance?  
Contact us before returning your item. We're here to help!  
609.256.9000 • cs@modway.com

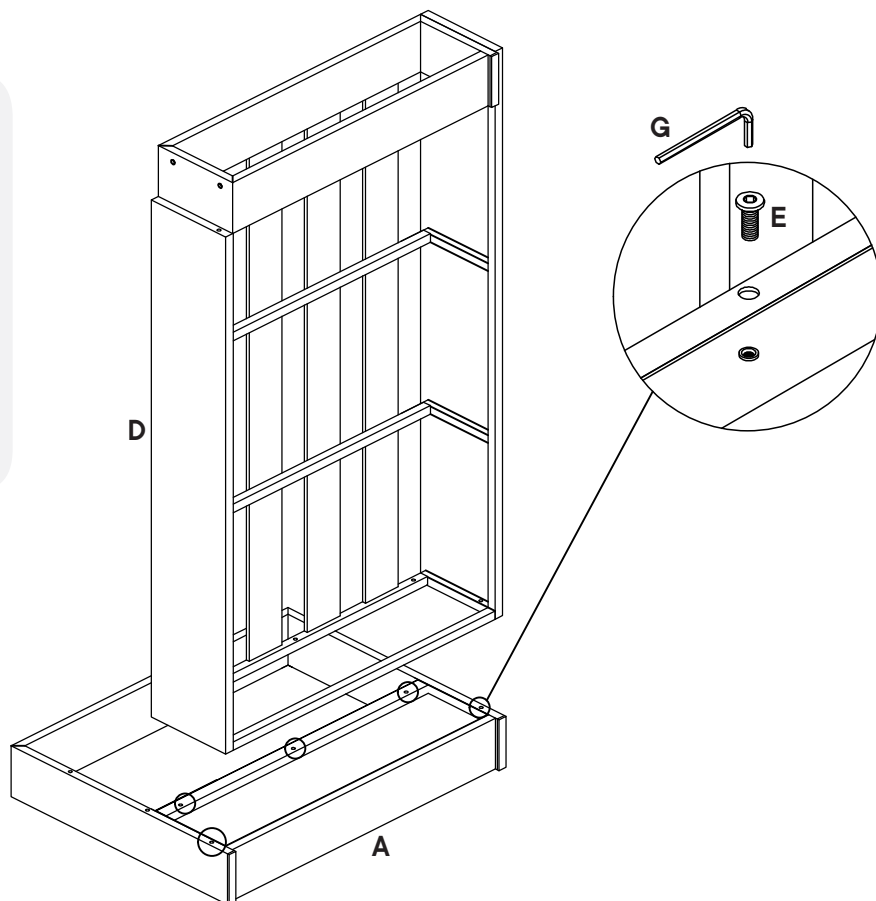
# Step 1

## COMPONENTS

- A** Right Arm x1
- D** Sofa Seat x1

## HARDWARE

- E** Bolt M6 x 35mm x5
- G** Allen Wrench x1



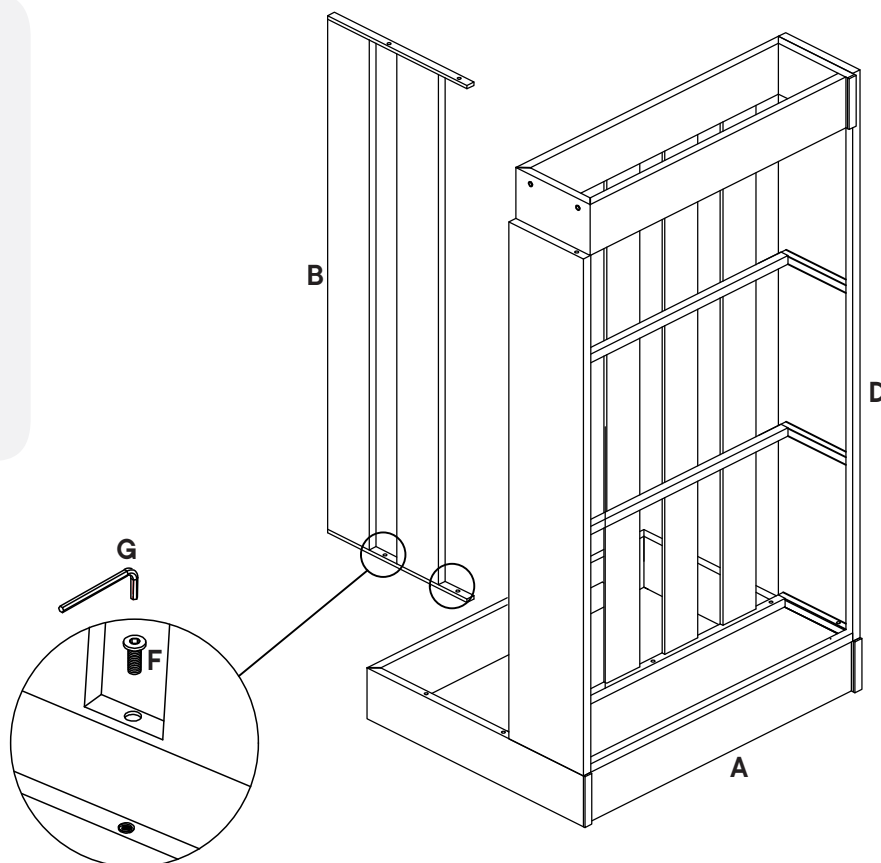
# Step 2

## COMPONENTS

- A** Right Arm x1
- B** Sofa Back x1
- D** Sofa Seat x1

## HARDWARE

- F** Bolt M6 x 20mm x2
- G** Allen Wrench x1



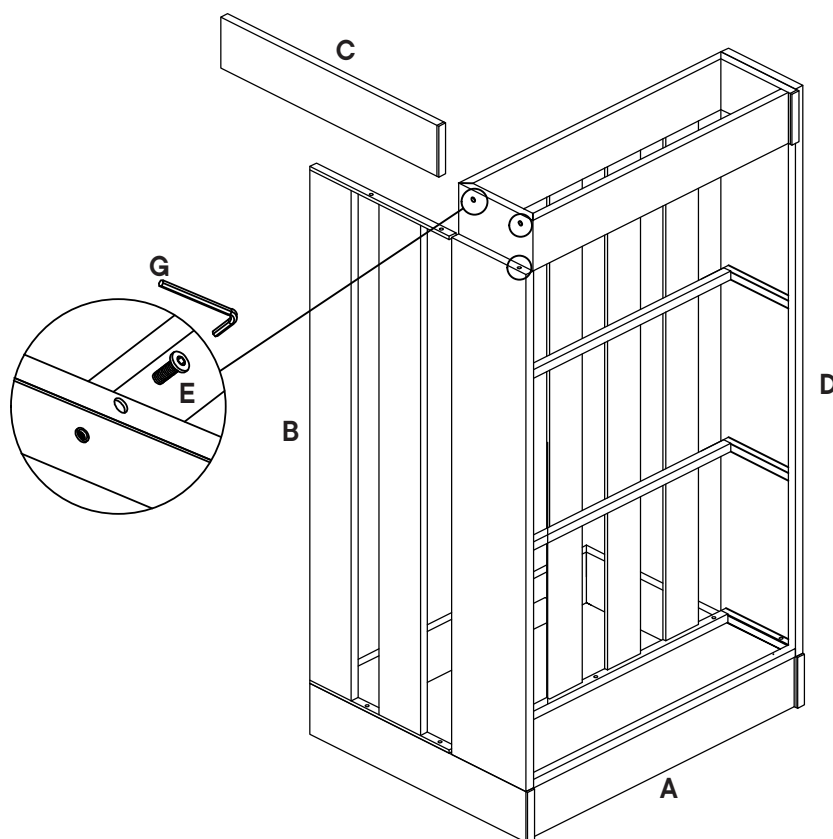
## Step 3

### COMPONENTS

<b>A</b>	Right Arm	x1
<b>B</b>	Sofa Back	x1
<b>C</b>	Back Frame	x1
<b>D</b>	Sofa Seat	x1

### HARDWARE

<b>E</b>	Bolt M6 x 35mm	x3
<b>G</b>	Allen Wrench	x1



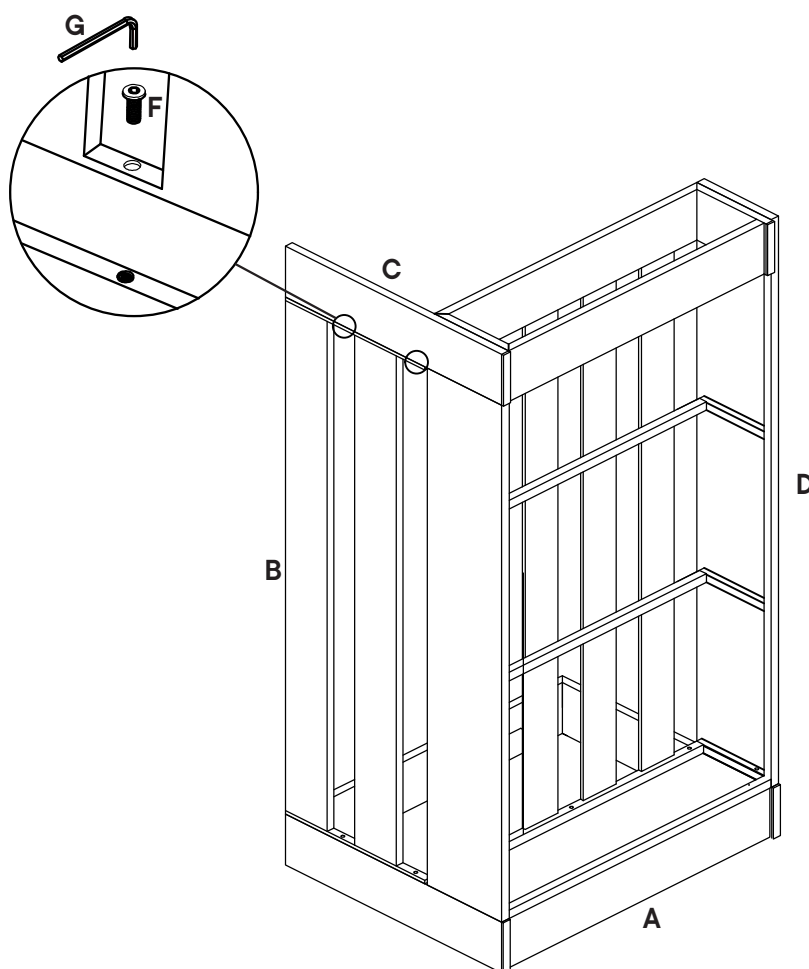
## Step 4

### COMPONENTS

<b>A</b>	Right Arm	x1
<b>B</b>	Sofa Back	x1
<b>C</b>	Back Frame	x1
<b>D</b>	Sofa Seat	x1

### HARDWARE

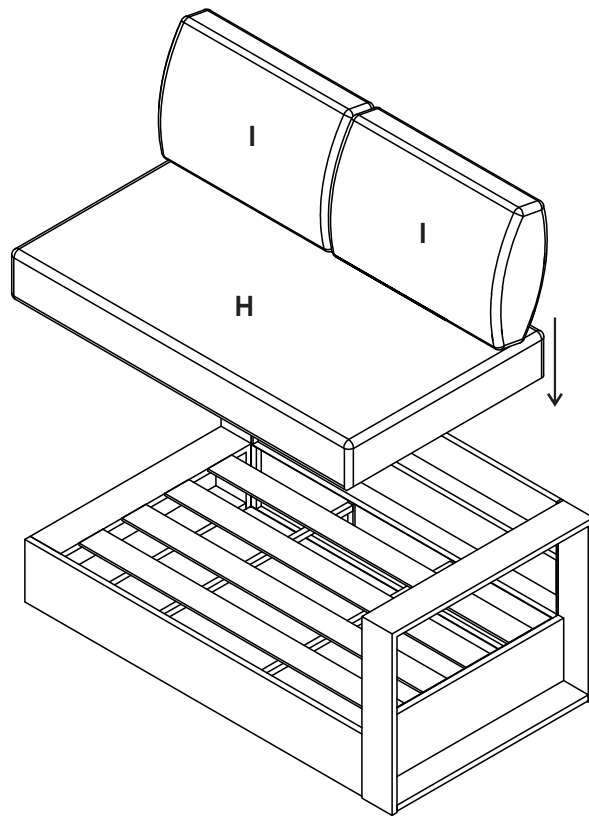
<b>F</b>	Bolt M6 x 20mm	x2
<b>G</b>	Allen Wrench	x1



# Step 5

## COMPONENTS

- |          |              |    |
|----------|--------------|----|
| <b>H</b> | Seat Cushion | x1 |
| <b>I</b> | Back Cushion | x2 |



# Great job!

Your right arm sofa is complete and ready to enjoy.

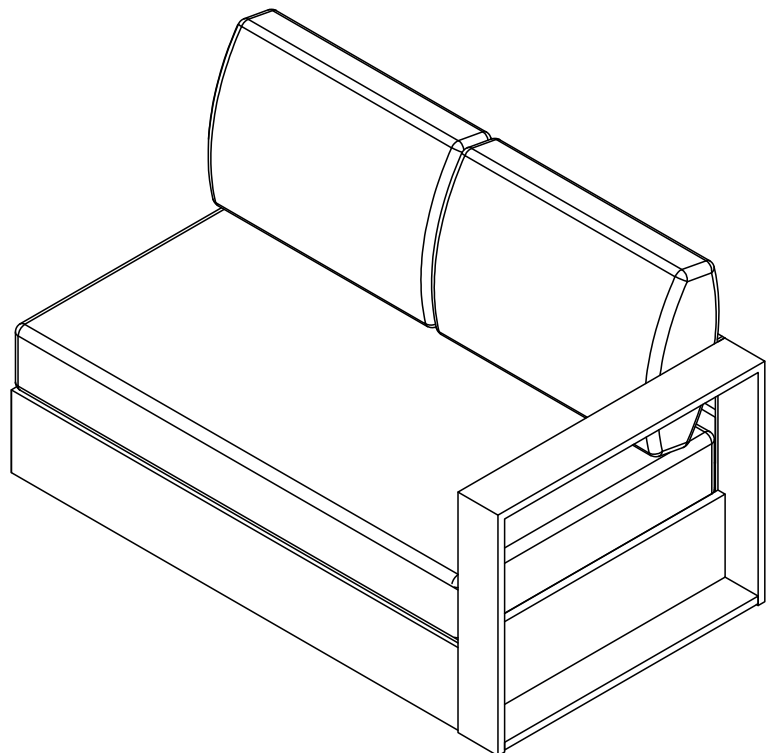
## ♥ CARING FOR YOUR ITEM

Indoor or outdoor use.

Not contract grade.

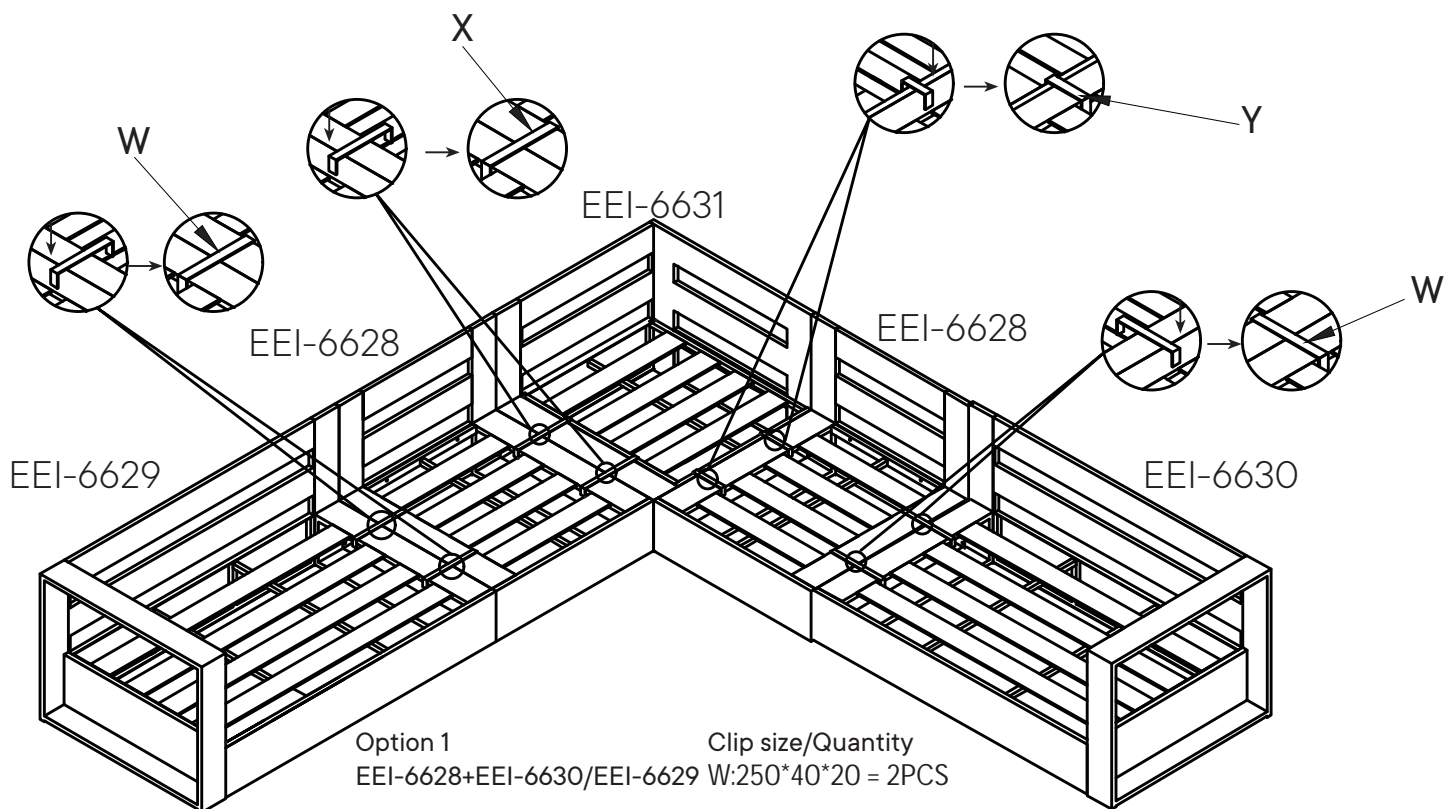
Clean using a non-abrasive cloth and a mild cleaner.

Never use harsh chemicals, as they could damage the finish or integrity of the item.



CONNECT WITH US!   

Tag us @modway\_furniture and #modway for a chance to be featured.



Option 1  
EEI-6628+EEI-6630/EEI-6629

Clip size/Quantity  
W:250\*40\*20 = 2PCS

Option 2  
EEI-6631+EEI-6630

Clip size/Quantity  
Y:151\*40\*20 = 2PCS

Option 3  
EEI-6629+EEI-6630  
EEI-6630+EEI-6632

Clip size/Quantity  
W:250\*40\*20 = 2PCS  
Y: 151\*40\*20 = 2PCS