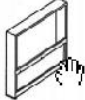






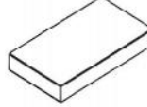
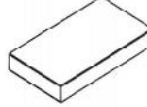



# EEI-6629

 A:1PC	 B:1PC	 C:1PC	 D:1PC	 E:M6*35*8PCS	 F: M6*20*4PCS	 G: 1MM*1PC	
 1				 H:1PC			 I:2PCS
 2							

Please assemble all components firstly, then tightly fix all screws.