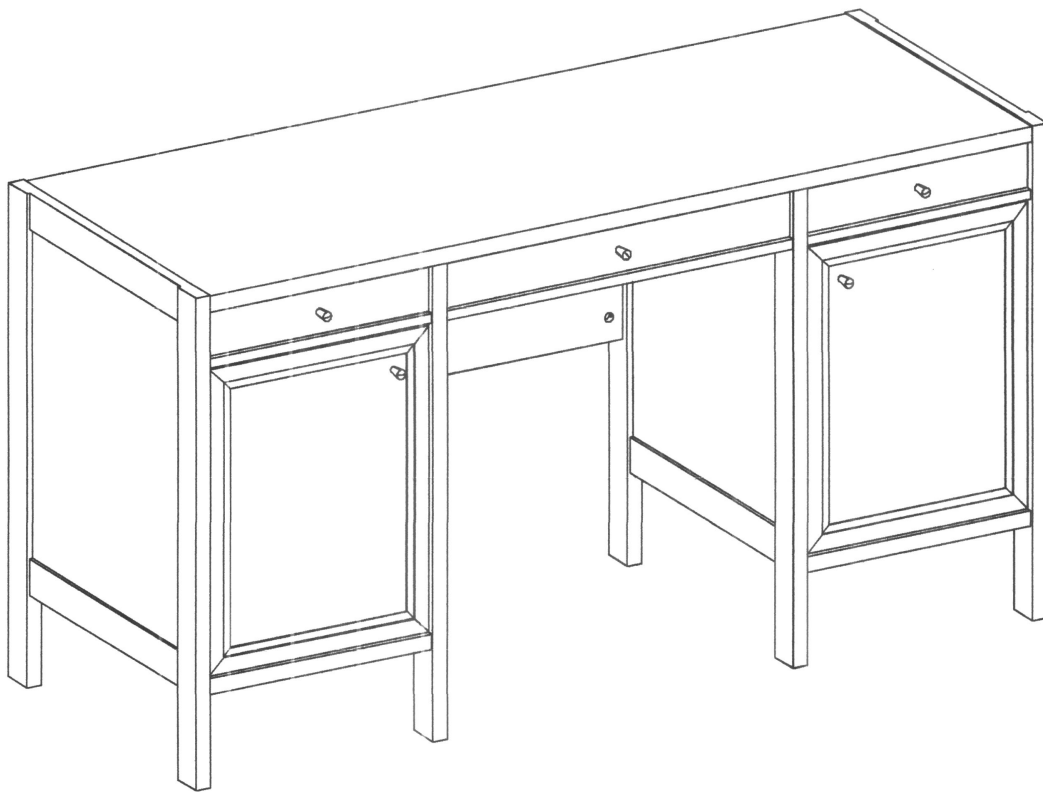


ASSEMBLY INSTRUCTIONS

EEI-6618

V1.09.09.23



Questions? Contact us!

609.256.9000 • cs@modway.com
www.modway.com

*modway

Let's get started!

*modway



Read through all of the instructions before starting



Care instructions are listed in the last step of this manual



Approx. 60 minutes assembly time



Make sure you have all parts and components before discarding any packing materials



2 people recommended for assembly

Only use hand tools to assemble this item. Do not use power tools. Do not tighten bolts or screws completely until all hardware is lined up and inserted into the holes.

Do not over-tighten screws and bolts to avoid stripping the hardware or cracking the item.

Assemble your item on a flat, carpeted area, with plenty of space to work. This will prevent damage and scratches to your floors or the item while you're assembling the product.

Keep all components and packaging out of reach of children or animals to avoid risk of choking or suffocation.

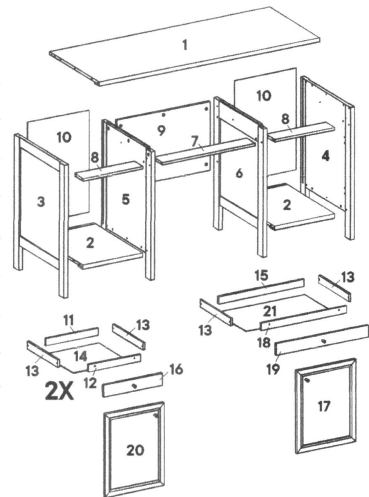
Furniture components:

BOX 1:

3	Left Board	x1	16	Small Head Drawer	x2
4	Right Board	x1	20	Left Door	x1
5	Divider Left Board	x1	17	Right Door	x1
6	Divider Right Board	x1			
8	Side Drawer Support	x2			
11	Small Rear Drawer	x2			
12	Small Front Drawer	x2			
13	Side Drawer	x6			
14	Small Bottom Drawer	x2			
19	Large Head Drawer	x1			

BOX 2:

1	Top Board	x1
2	Bottom Board	x2
7	Middle Drawer Support	x1
9	Rear Board	x1
10	Backboard	x2
15	Large Rear Drawer	x1
18	Large Front Drawer	x1
21	Large Bottom Drawer	x1



Provided hardware:

A		Cam Lock Ø15 mm	x35	I		Drawer Rail	x3	Q		Allen Key	x1
B		Cam Bolt Ø7.5 x 32 mm	x35	J		Stopper	x2	R		Screw M4 x 10 mm	x8
C		Cam Cover Ø17 mm	x29	K		Screw M4 x 10 mm	x5				
D		Plastic Dowel M8 x 32 mm	x28	L		Handle	x5				
E		Screw M6 x 13 mm	x33	M		Screw M10 x 25 mm	x6				
F		Screw M10 x 33.5 mm	x12	N		Backply Stopper	x16				
G		Screw M6 x 8 mm	X12	O		Screw M4 x 19 mm	x16				
H		Cam Cap Ø17 mm	x6	P		Door Hinge	x4				

What you need:

Phillips Head Screwdriver
Phillips

Wait!

Missing parts or hardware? Need assistance?

Contact us before returning your item. We're here to help!
609.256.9000 • cs@modway.com

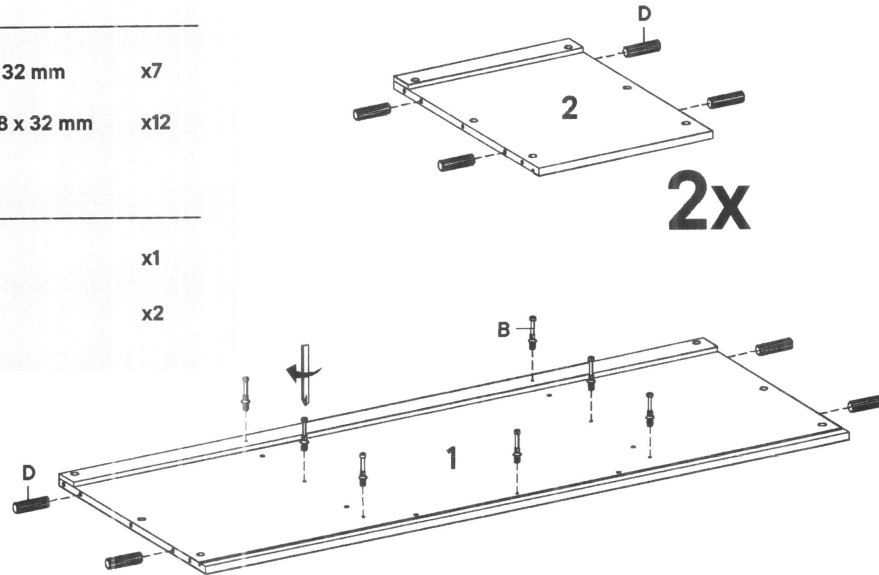
Step 1

HARDWARE

- B** Cam Bolt $\varnothing 7.5 \times 32$ mm x7
- D** Plastic Dowel M8 x 32 mm x12

COMPONENTS

- 1** Top Board x1
- 2** Bottom Board x2



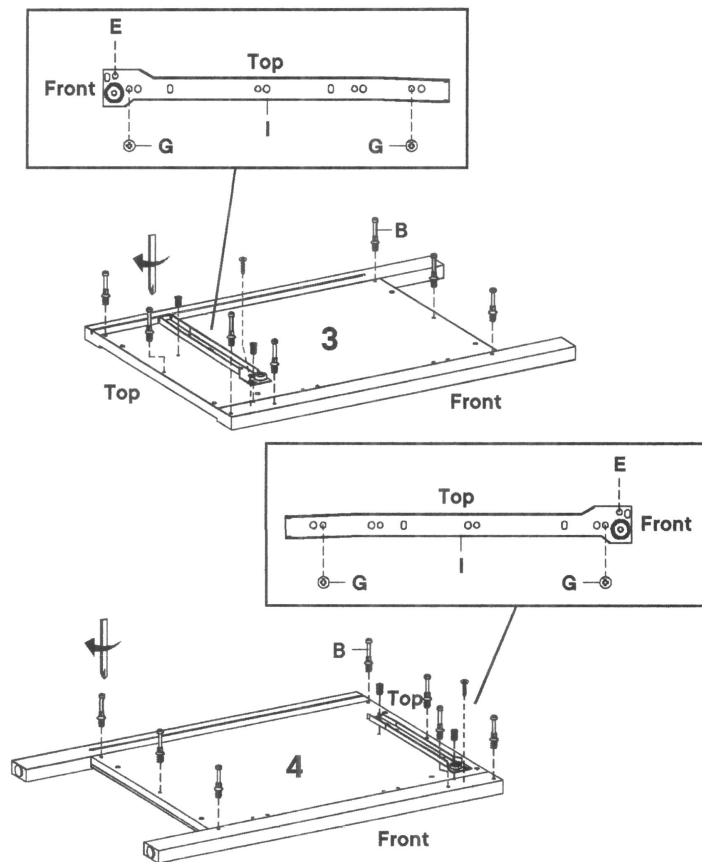
Step 2

HARDWARE

- B** Cam Bolt $\varnothing 7.5 \times 32$ mm x14
- E** Screw M6 x 13 mm x2
- G** Screw M6 x 8 mm x4
- I** Drawer Rail x1

COMPONENTS

- 3** Left Board x1
- 4** Right Board x1



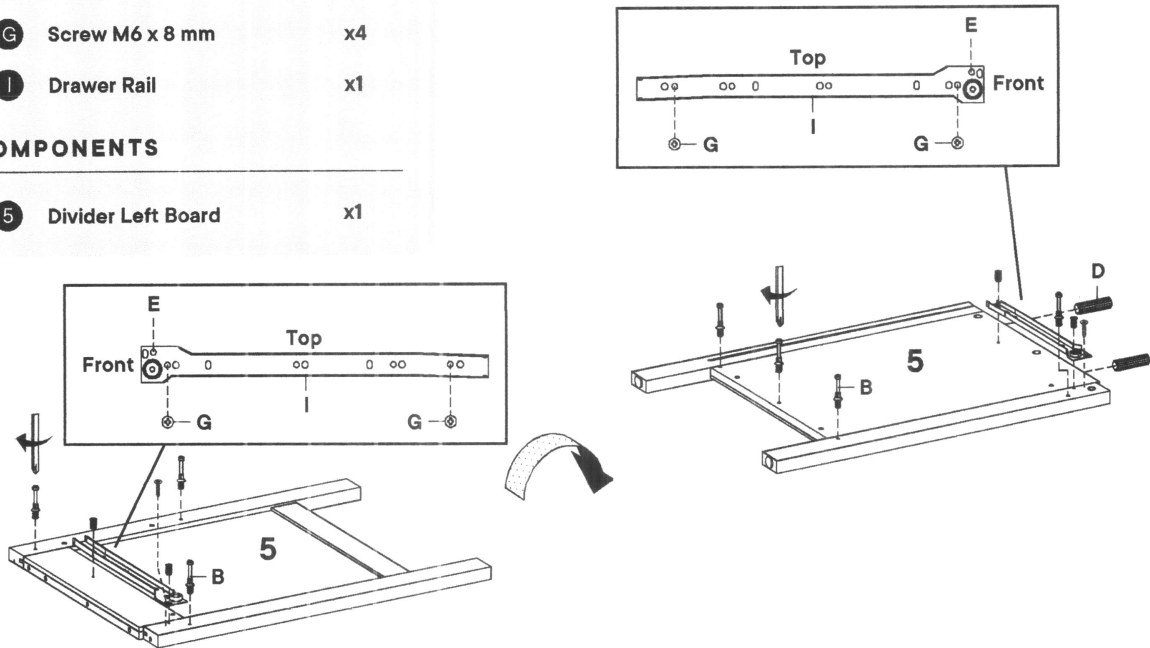
Step 3

HARDWARE

B	Cam Bolt $\varnothing 7.5 \times 32$ mm	x7
E	Screw M6 x 13 mm	x2
D	Plastic Dowel M8 x 32 mm	x2
G	Screw M6 x 8 mm	x4
I	Drawer Rail	x1

COMPONENTS

5	Divider Left Board	x1
----------	--------------------	----



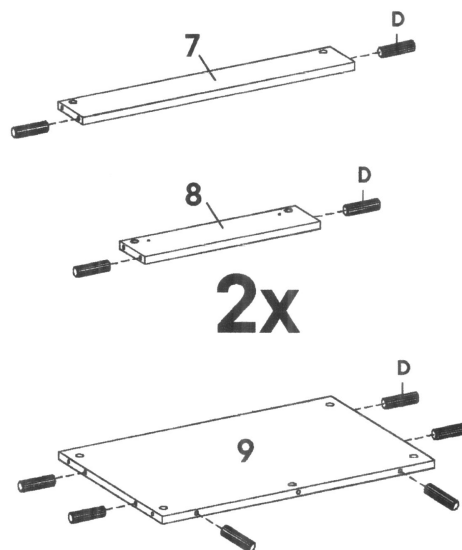
Step 4

HARDWARE

D	Plastic Dowel M8 x 32 mm	x12
----------	--------------------------	-----

COMPONENTS

7	Middle Drawer Support	x1
8	Side Drawer Support	x2
9	Rear Board	x1



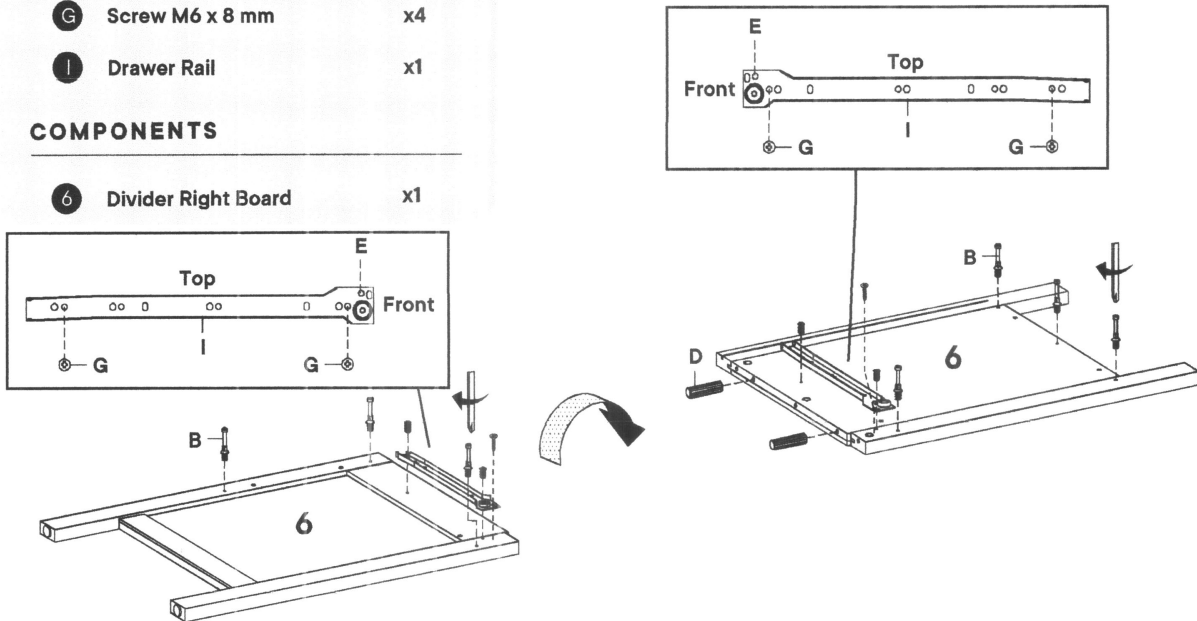
Step 5

HARDWARE

B	Cam Bolt Ø7.5 x 32 mm	x7
E	Screw M6 x 13 mm	x2
D	Plastic Dowel M8 x 32 mm	x2
G	Screw M6 x 8 mm	x4
I	Drawer Rail	x1

COMPONENTS

6	Divider Right Board	x1
----------	---------------------	----



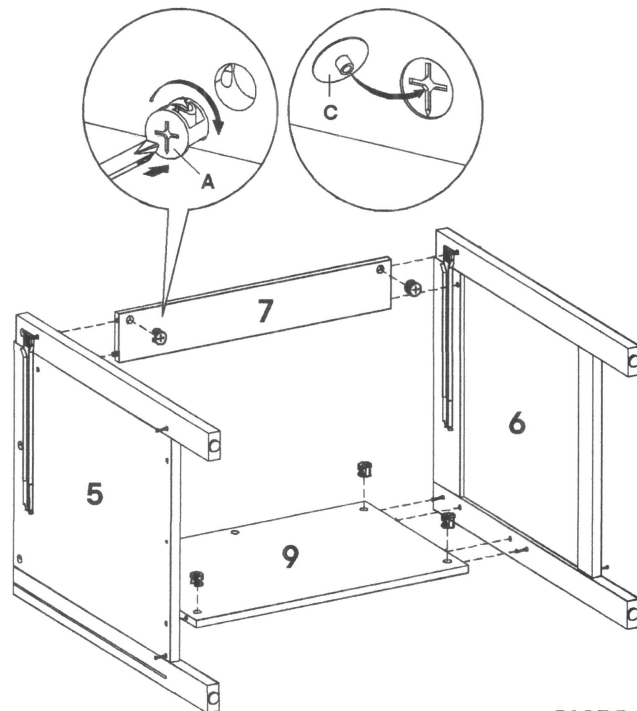
Step 6

HARDWARE

A	Cam Lock Ø15 mm	x6
C	Cam Cover Ø17 mm	x6

COMPONENTS

5	Divider Left Board	x1
6	Divider Right Board	x1
7	Middle Drawer Support	x1
9	Rear Board	x1



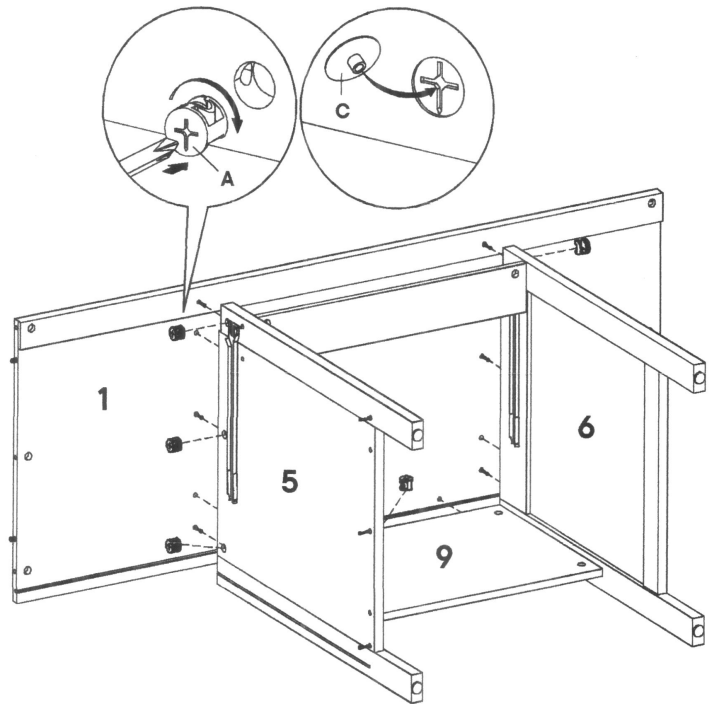
Step 7

HARDWARE

- | | | |
|----------|------------------|----|
| A | Cam Lock Ø15 mm | x7 |
| C | Cam Cover Ø17 mm | x7 |

COMPONENTS

- | | | |
|----------|---------------------|----|
| 1 | Top Board | x1 |
| 5 | Divider Left Board | x1 |
| 6 | Divider Right Board | x1 |
| 9 | Rear Board | x1 |



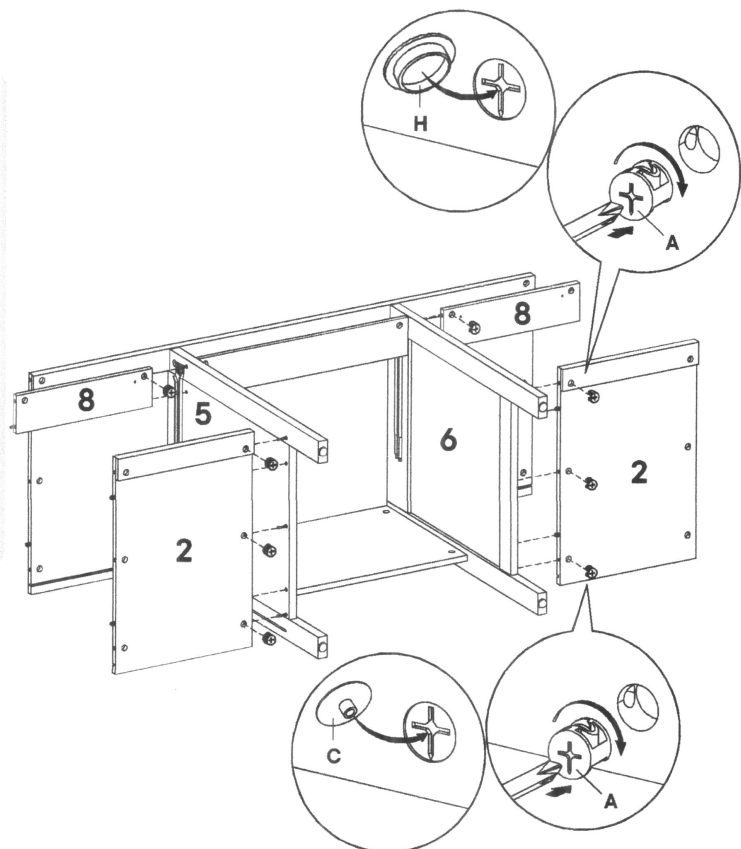
Step 8

HARDWARE

- | | | |
|----------|------------------|----|
| A | Cam Lock Ø15 mm | x8 |
| C | Cam Cover Ø17 mm | x6 |
| H | Cam Cap Ø17 mm | x2 |

COMPONENTS

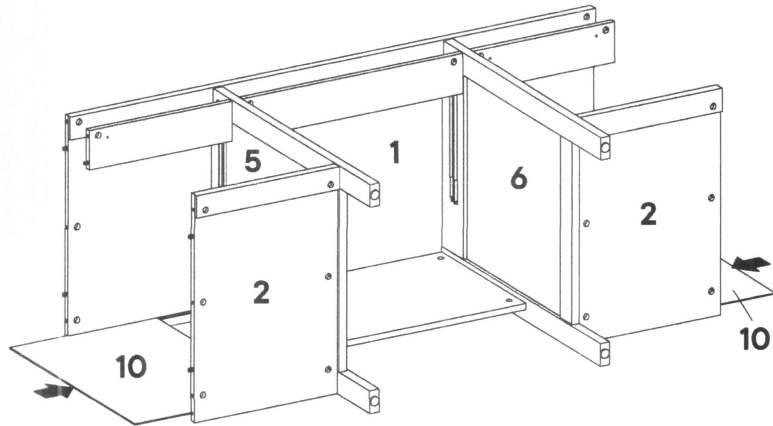
- | | | |
|----------|---------------------|----|
| 2 | Bottom Board | x2 |
| 5 | Divider left Board | x1 |
| 6 | Divider Right Board | x1 |
| 8 | Side Drawer Support | x2 |



Step 9

COMPONENTS

1	Top Board	x1
2	Bottom Board	x2
5	Divider Left Board	x1
6	Divider Right Board	x1
10	Backboard	x2



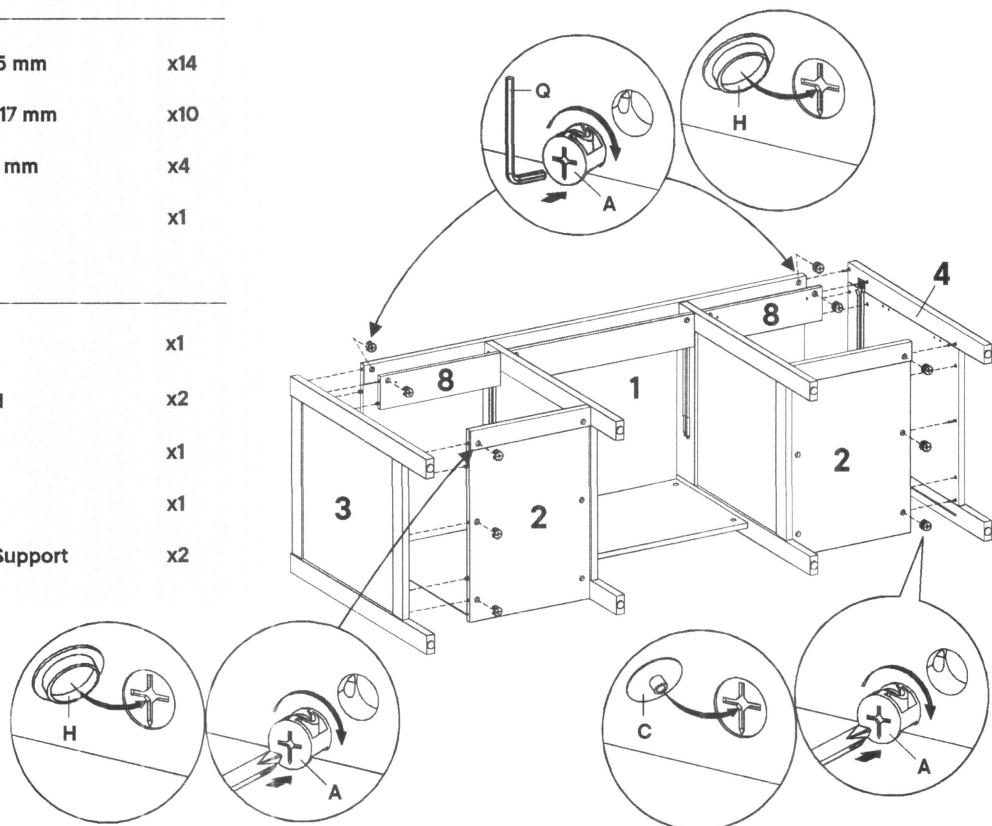
Step 10

HARDWARE

A	Cam Lock Ø15 mm	x14
C	Cam Cover Ø17 mm	x10
H	Cam Cap Ø17 mm	x4
Q	Allen Key	x1

COMPONENTS

1	Top Board	x1
2	Bottom Board	x2
3	Left Board	x1
4	Right Board	x1
8	Side Drawer Support	x2



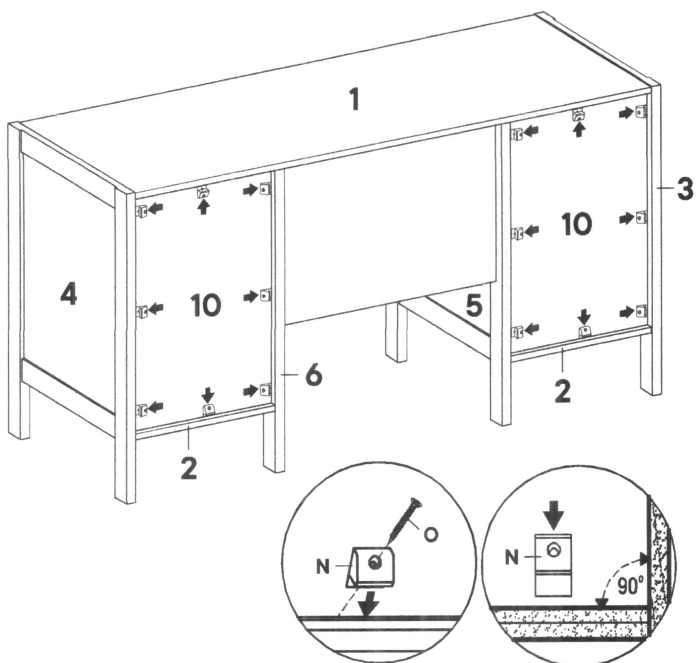
Step 11

HARDWARE

N	Backply Stopper	x16
O	Screw M4 x 19 mm	x16

COMPONENTS

1	Top Board	x1
2	Bottom Board	x2
3	Left Board	x1
4	Right Board	x1
5	Divider Left Board	x1
6	Divider Right Board	x1
10	Backboard	x2



Please tightened backboard at flat surface

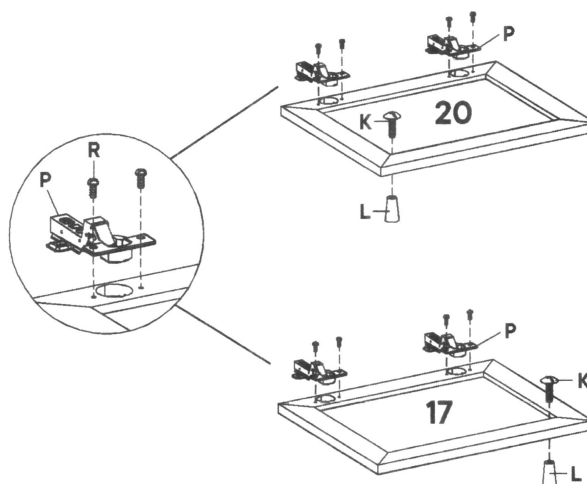
Step 12

HARDWARE

K	Screw M4 x 10 mm	x2
L	Handle	x2
P	Door Hinge	x4
R	Screw M4 x 10 mm	x8

COMPONENTS

20	Left Door	x1
17	Right Door	x1



Step 13

HARDWARE

J Stopper x2

COMPONENTS

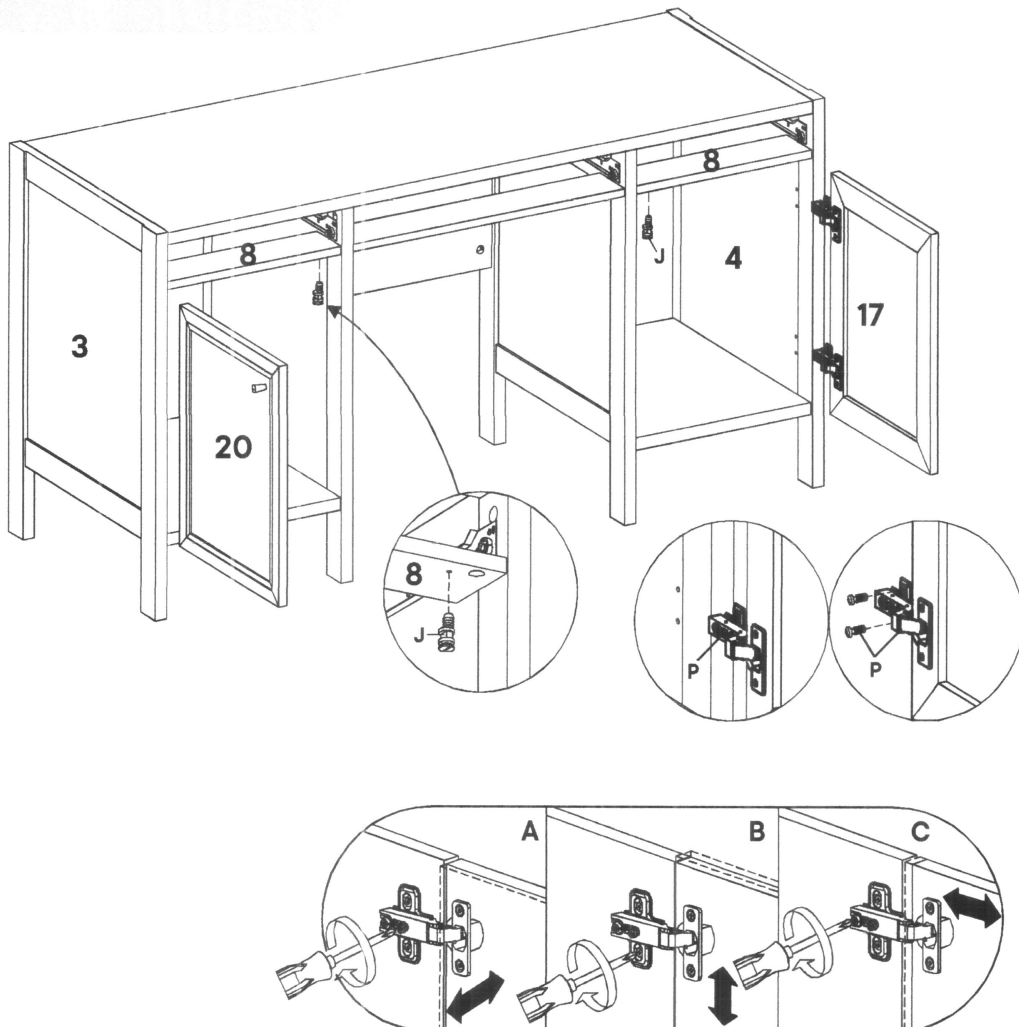
3 Left Board x1

4 Right Board x1

8 Side Drawer Support x2

20 Left Door x1

17 Right Door x1



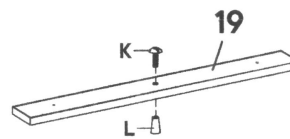
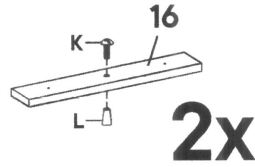
Step 14

HARDWARE

K	Screw M4 x 10 mm	x3
L	Handle	x3

COMPONENTS

19	Large Head Drawer	x1
16	Small Head Drawer	x2



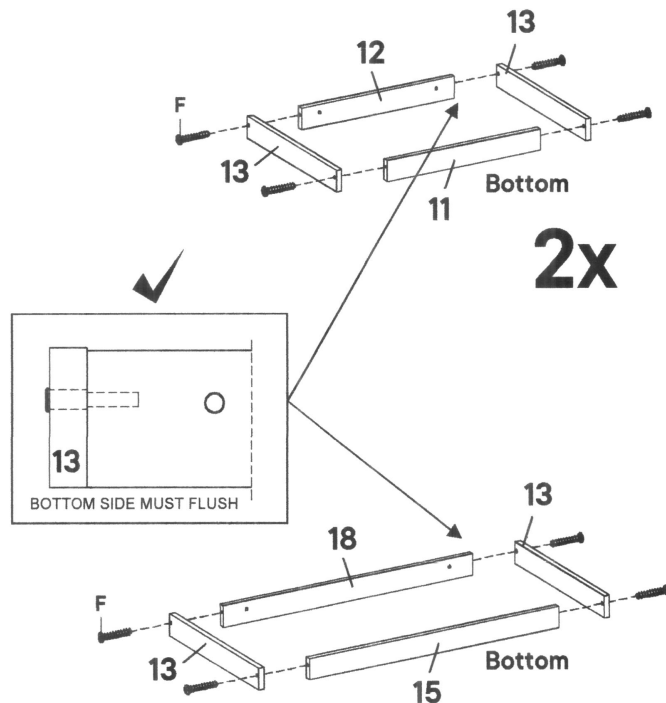
Step 15

HARDWARE

F	Screw M10 x 33.5 mm	x12
----------	---------------------	-----

COMPONENTS

11	Small Rear Drawer	x2
12	Small Front Drawer	x2
13	Side Drawer	x6
15	Large Rear Drawer	x1
18	Large Front Drawer	x1



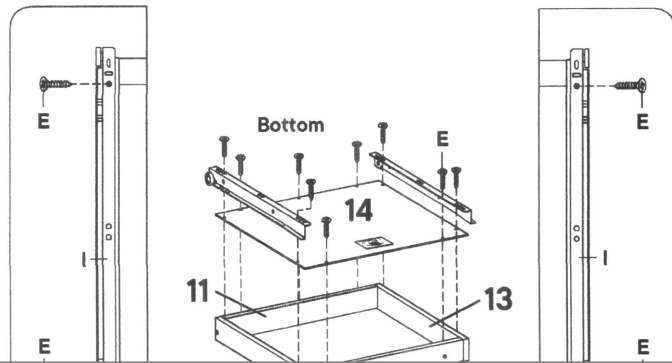
Step 16

HARDWARE

- E** Screw M6 x 13 mm x18
- I** Drawer Rail x2

COMPONENTS

- 11** Small Rear Drawer x2



Step 18

HARDWARE

M Screw M10 x 25 mm x6

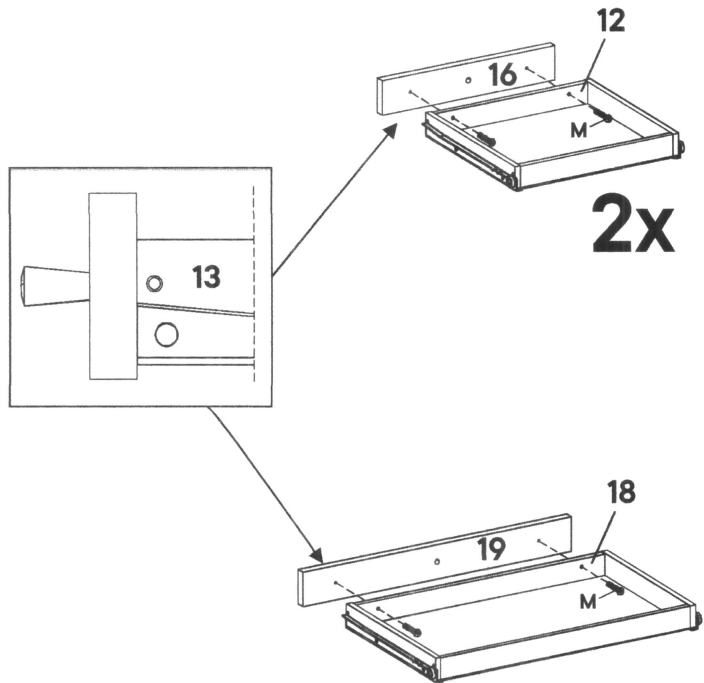
COMPONENTS

12 Small Front Drawer x2

18 Large Front Drawer x1

19 Large Head Drawer x1

16 Small Head Drawer x2

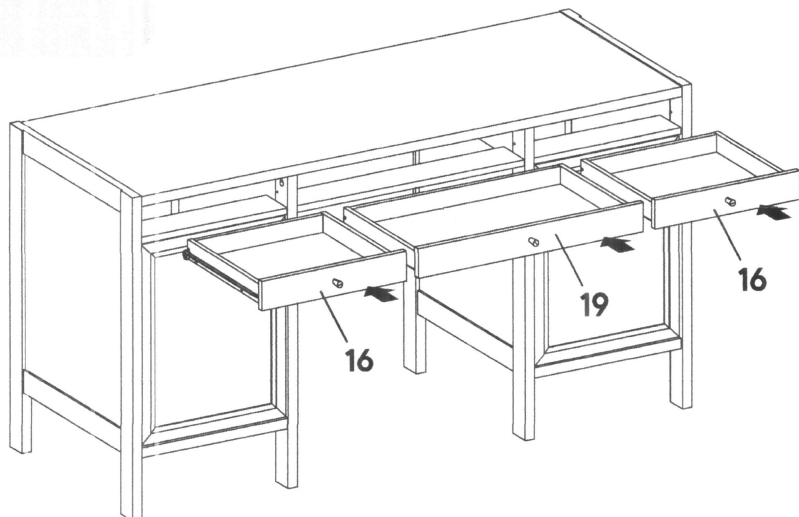


Step 19

COMPONENTS

19 Large Head Drawer x1

16 Small Head Drawer x2



Great job!

Desk assembly is complete.

♥ CARING FOR YOUR ITEM

Indoor use only.

Not contract grade.

Clean using a non-abrasive cloth and a mild cleaner.

Never use harsh chemicals, as they could damage the finish or integrity of the item.

CONNECT WITH US!

Tag us [@modway_furniture](#) and [#modway](#) for a chance to be featured.

