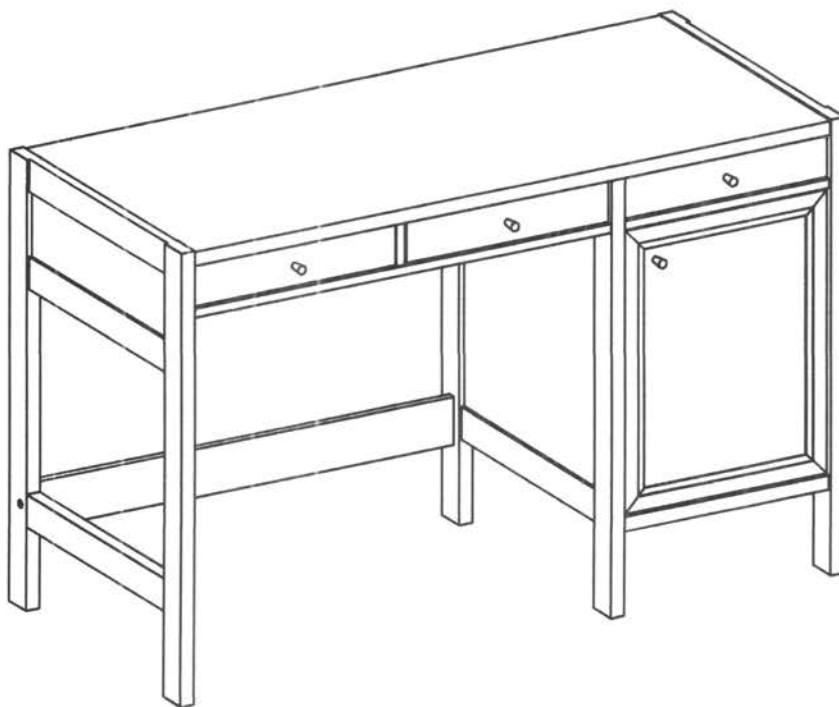


ASSEMBLY INSTRUCTIONS

EEI-6617

V1.09.09.23



Questions? Contact us!

609.256.9000 • cs@modway.com
www.modway.com

*modway

Let's get started!

*modway



Read through all of the instructions before starting



Care instructions are listed in the last step of this manual



Approx. 60 minutes assembly time



Make sure you have all parts and components before discarding any packing materials



2 people recommended for assembly

Only use hand tools to assemble this item. Do not use power tools. Do not tighten bolts or screws completely until all hardware is lined up and inserted into the holes.

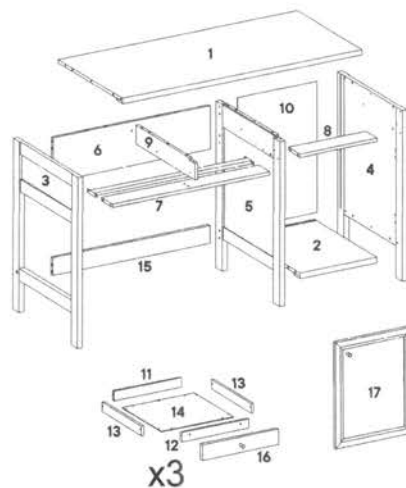
Do not over-tighten screws and bolts to avoid stripping the hardware or cracking the item.

Assemble your item on a flat, carpeted area, with plenty of space to work. This will prevent damage and scratches to your floors or the item while you're assembling the product.

Keep all components and packaging out of reach of children or animals to avoid risk of choking or suffocation.

Furniture components:

1	Top Board	x1	11	Rear Drawer	x3
2	Bottom Board	x1	12	Front Drawer	x3
3	Left Board	x1	13	Side Drawer	x6
4	Right Board	x1	14	Bottom Drawer	x3
5	Divider Board	x1	15	Bottom Rear Board	x1
6	Rear Board	x1	16	Head Drawer	x3
7	Left Drawer Support	x1	17	Door	x1
8	Right Drawer Support	x1			
9	Small Divider Board	x1			
10	Backboard	x1			



Provided hardware:

A		Cam Lock Ø15 mm	x28	I		Drawer Rail	x3	Q		Barel Nut	x2
B		Cam Bolt Ø7.5 x 32 mm	x28	J		Stopper	x1	R		JCBC M6 x 80 mm	x2
C		Cam Cover Ø17 mm	x24	K		Screw M4 x 10 mm	x4	S		Allen Key	x1
D		Plastic Dowel M8 x 32 mm	x25	L		Handle	x4	T		Screw M10 x 25 mm	x6
E		Screw M6 x 13 mm	x33	M		Door Hinge	x2	U		Top Support	x1
F		Screw M10 x 33.5 mm	x14	N		Backply Stopper	x8				
G		Screw M6 x 8 mm	x12	O		Screw M4 x 19 mm	x8				
H		Cam Cap Ø17 mm	x5	P		Screw M4 x 10 mm	x8				

What you need:

Phillips Head Screwdriver

Wait!

Missing parts or hardware? Need assistance?
Contact us before returning your item. We're here to help!
609.256.9000 • cs@modway.com

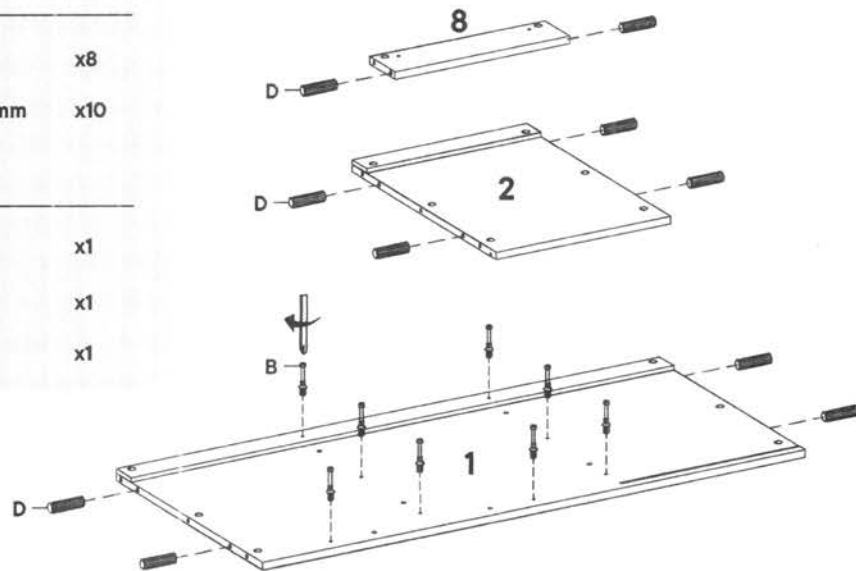
Step 1

HARDWARE

- B** Cam Bolt $\varnothing 7.5 \times 32$ mm x8
- D** Plastic Dowel M8 x 32 mm x10

COMPONENTS

- 1** Top Board x1
- 2** Bottom Board x1
- 8** Right Drawer Support x1



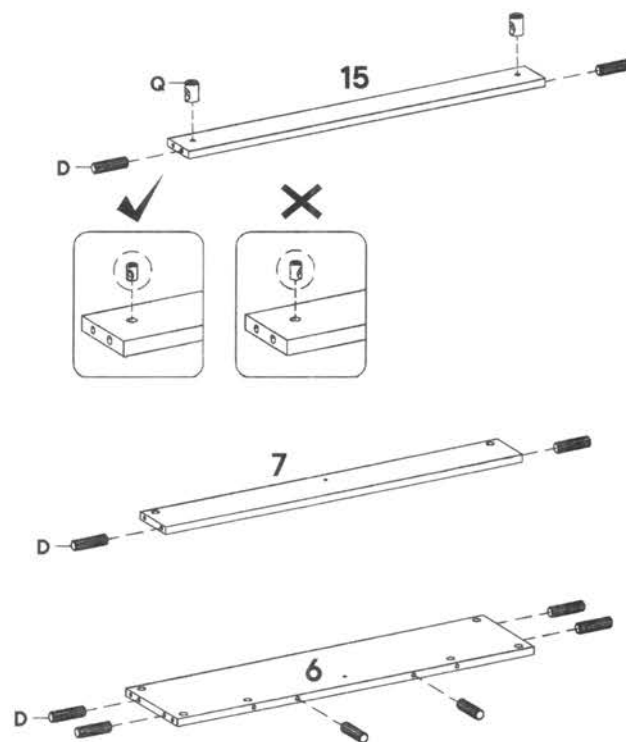
Step 2

HARDWARE

- D** Plastic Dowel M8 x 32 mm x10
- Q** Barrel Nut x2

COMPONENTS

- 6** Rear Board x1
- 7** Left Drawer Support x1
- 15** Bottom Rear Board x1



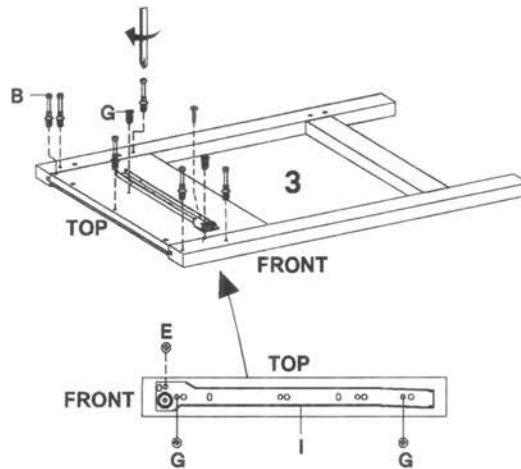
Step 3

HARDWARE

B	Cam Bolt $\varnothing 7.5 \times 32$ mm	x6
E	Screw M6 x 13 mm	x1
G	Screw M6 x 8 mm	x2
I	Drawer Rail	x1

COMPONENTS

3	Left Board	x1
----------	------------	----



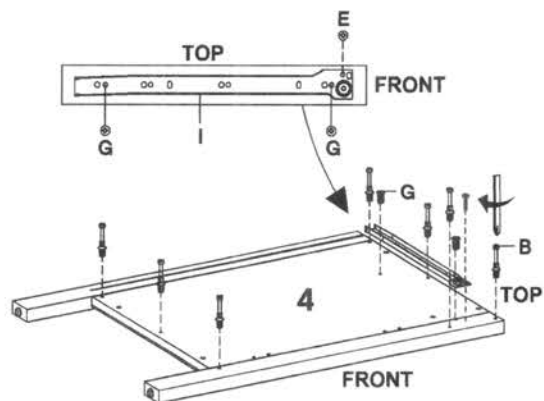
Step 4

HARDWARE

B	Cam Bolt $\varnothing 7.5 \times 32$ mm	x7
E	Screw M6 x 13 mm	x1
G	Screw M6 x 8 mm	x2
I	Drawer Rail	x1

COMPONENTS

4	Right Board	x1
----------	-------------	----



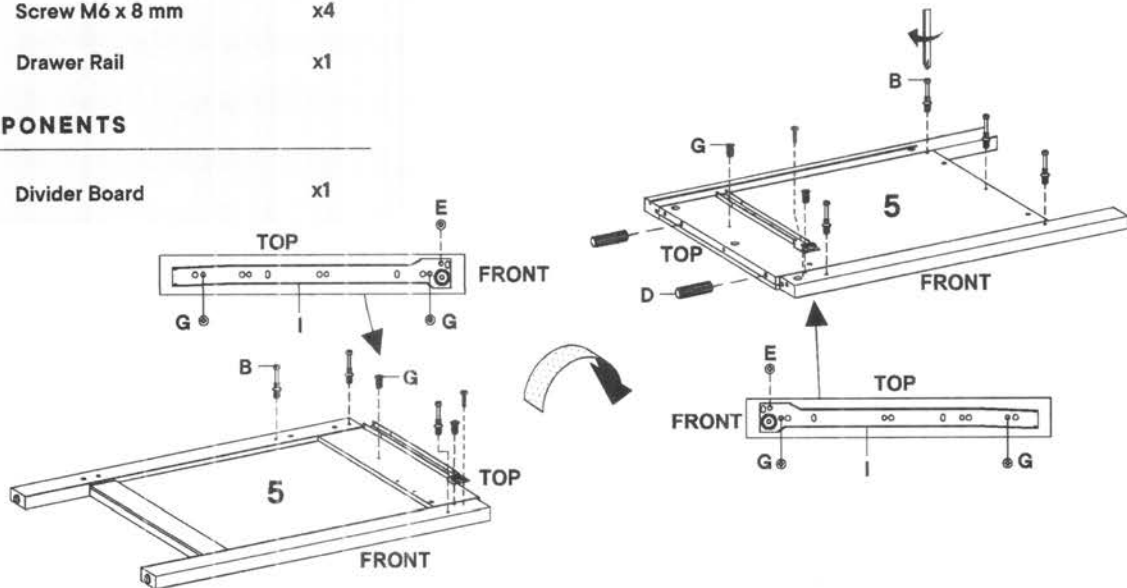
Step 5

HARDWARE

B	Cam Bolt $\varnothing 7.5 \times 32$ mm	x7
D	Plastic Dowel M8 x 32 mm	x2
E	Screw M6 x 13 mm	x2
G	Screw M6 x 8 mm	x4
I	Drawer Rail	x1

COMPONENTS

5	Divider Board	x1
----------	---------------	----



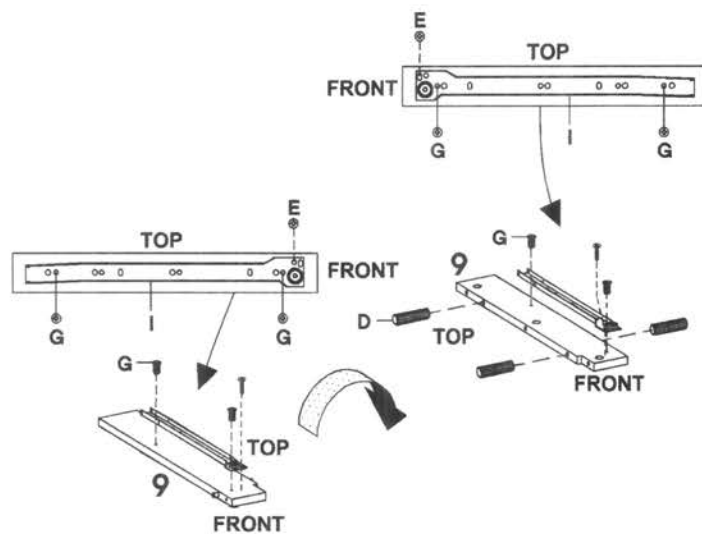
Step 6

HARDWARE

D	Plastic Dowel M8 x 32 mm	x3
E	Screw M6 x 13 mm	x2
G	Screw M6 x 8 mm	x4
I	Drawer Rail	x1

COMPONENTS

9	Small Divider Board	x1
----------	---------------------	----



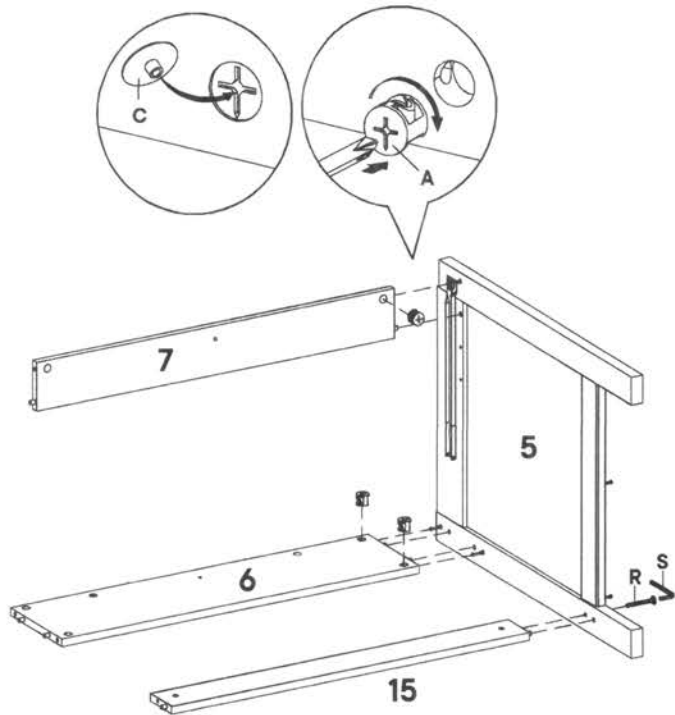
Step 7

HARDWARE

A	Cam Lock Ø15 mm	x3
C	Cam Cover Ø17 mm	x3
R	JCBC M6 x 80 mm	x1
S	Allen Key	x1

COMPONENTS

5	Divider Board	x1
6	Rear Board	x1
7	Left Drawer Support	x1
15	Bottom Rear Board	x1



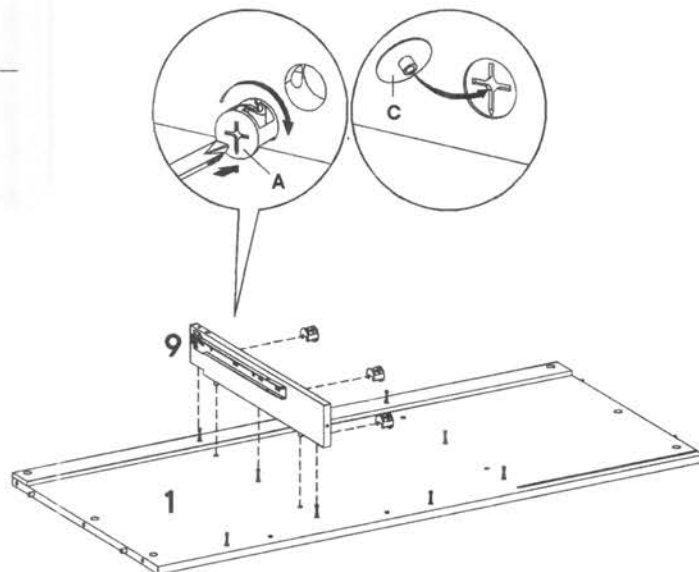
Step 8

HARDWARE

A	Cam Lock Ø15 mm	x3
C	Cam Cover Ø17 mm	x3

COMPONENTS

1	Top Board	x1
9	Small Divider Board	x1



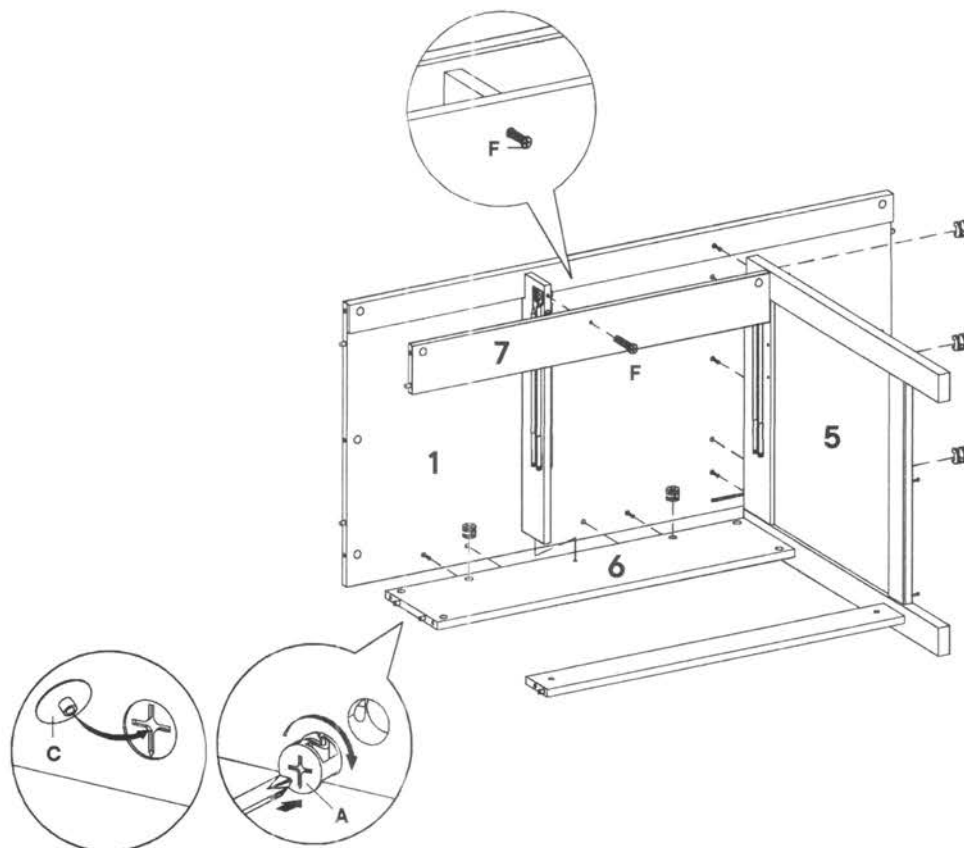
Step 9

HARDWARE

A	Cam Lock Ø15 mm	x5
C	Cam Cover Ø17 mm	x5
F	Screw M10 x 33.5 mm	x1

COMPONENTS

1	Top Board	x1
5	Divider Board	x1
6	Rear Board	x1
7	Left Drawer Support	x1
9	Small Divider Board	x1



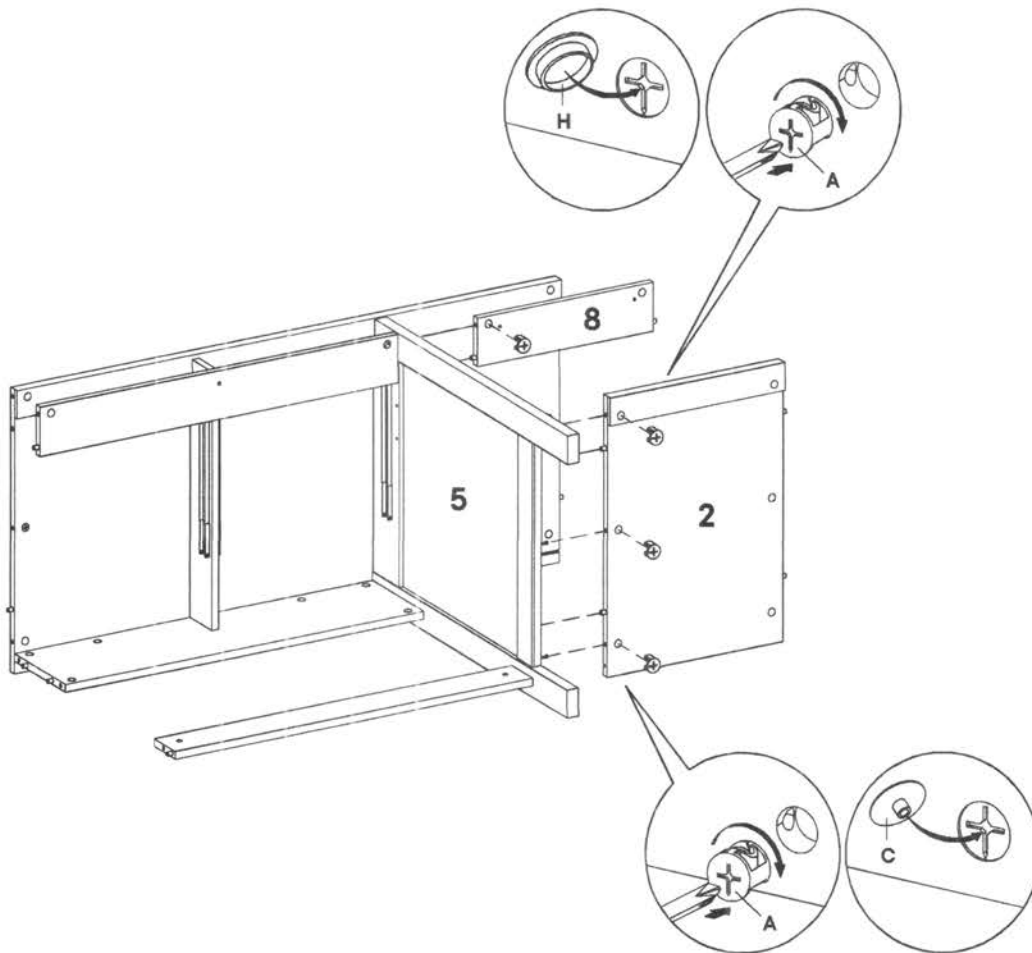
Step 10

HARDWARE

A	Cam Lock Ø15 mm	x4
C	Cam Cover Ø17 mm	x3
H	Cam Cap Ø17 mm	x1

COMPONENTS

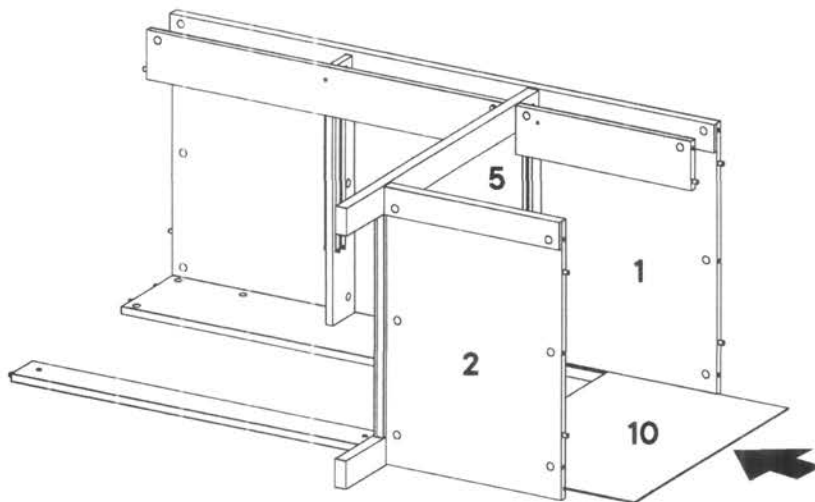
2	Bottom Board	x1
5	Divider Board	x1
8	Right Drawer Support	x1



Step 11

COMPONENTS

1	Top Board	x1
2	Bottom Board	x1
5	Divider Board	x1
10	Backboard	x1



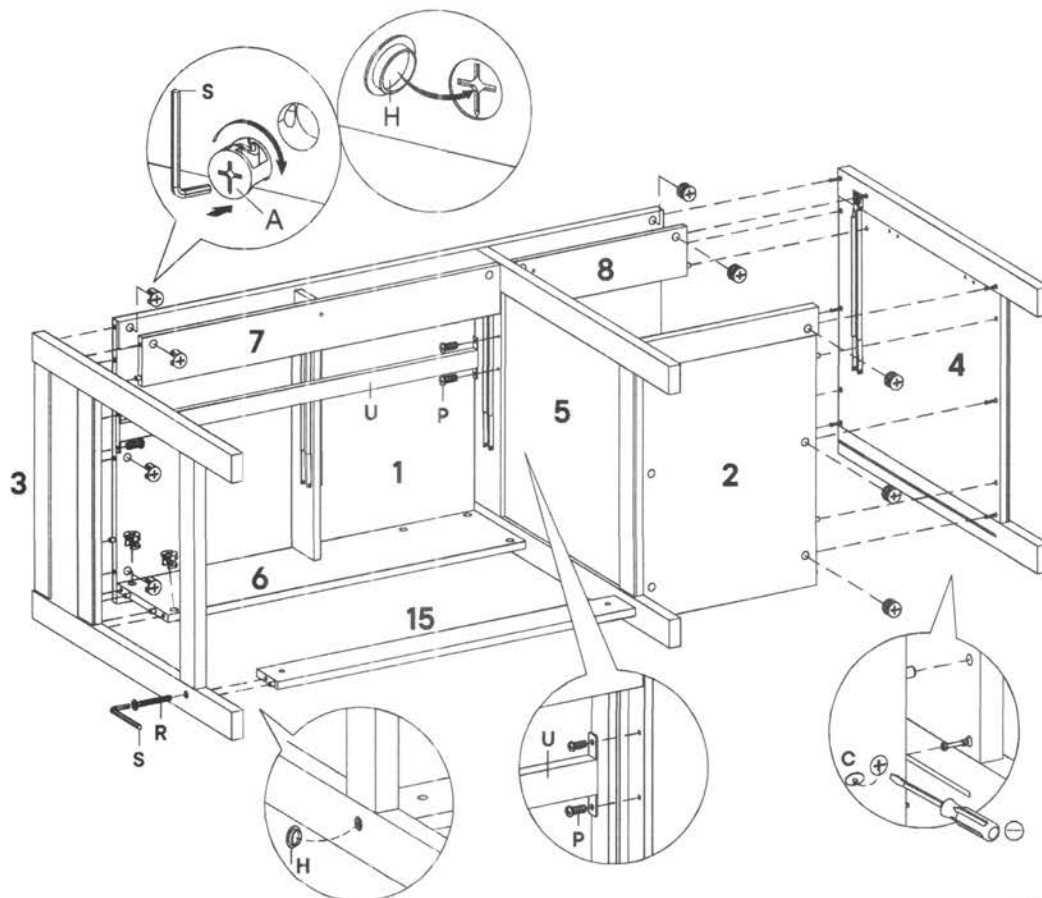
Step 12

HARDWARE

A	Cam Lock Ø15 mm	x13
C	Cam Cover Ø17 mm	x10
H	Cam Cap Ø17 mm	x4
P	Screw M4 x 10 mm	x4
R	JCBC M6 x 80 mm	x1
S	Allen Key	x1
U	Top Support	x1

COMPONENTS

1	Top Board	x1
2	Bottom Board	x1
3	Left Board	x1
4	Right Board	x1
5	Divider Board	x1
6	Rear Board	x1
7	Left Drawer Support	x1
8	Right Drawer Support	x1
15	Bottom Rear Panel	x1



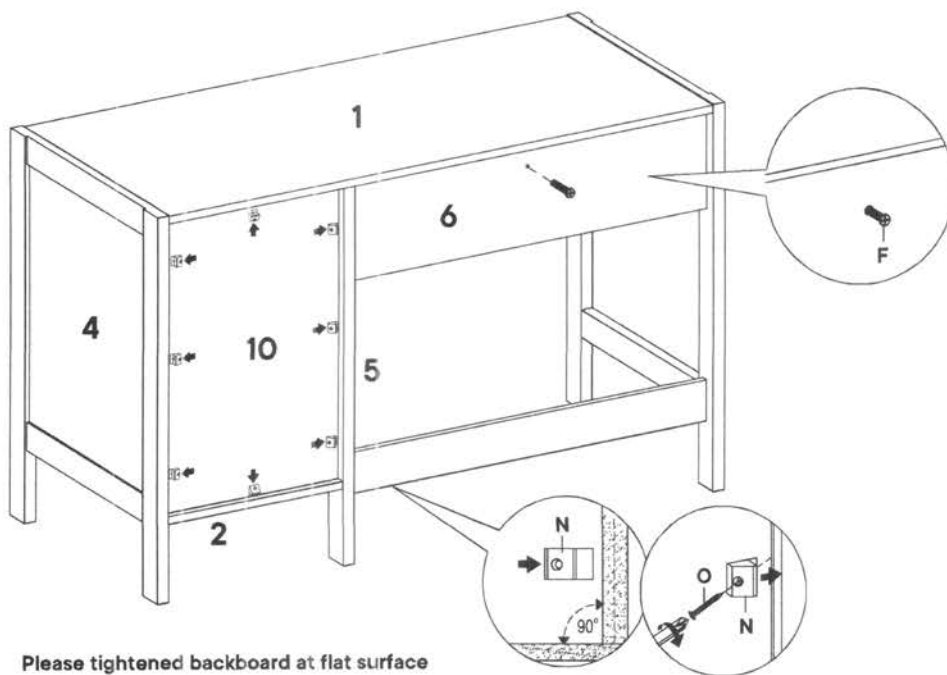
Step 13

HARDWARE

F	Screw M10 x 33.5 mm	x1
N	Backply Stopper	x8
O	Screw M4 x 19 mm	x8

COMPONENTS

1	Top Board	x1
2	Bottom Board	x1
4	Right Board	x1
5	Divider Board	x1
6	Rear Board	x1
10	Backboard	x1



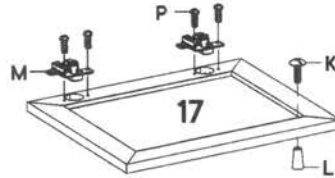
Step 14

HARDWARE

K	Screw M4 x 10 mm	x1
L	Handle	x1
M	Door Hinge	x2
P	Screw M4 x 10 mm	x4

COMPONENTS

17	Door	x1
-----------	------	----



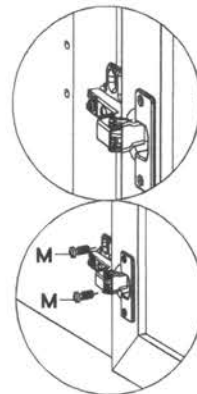
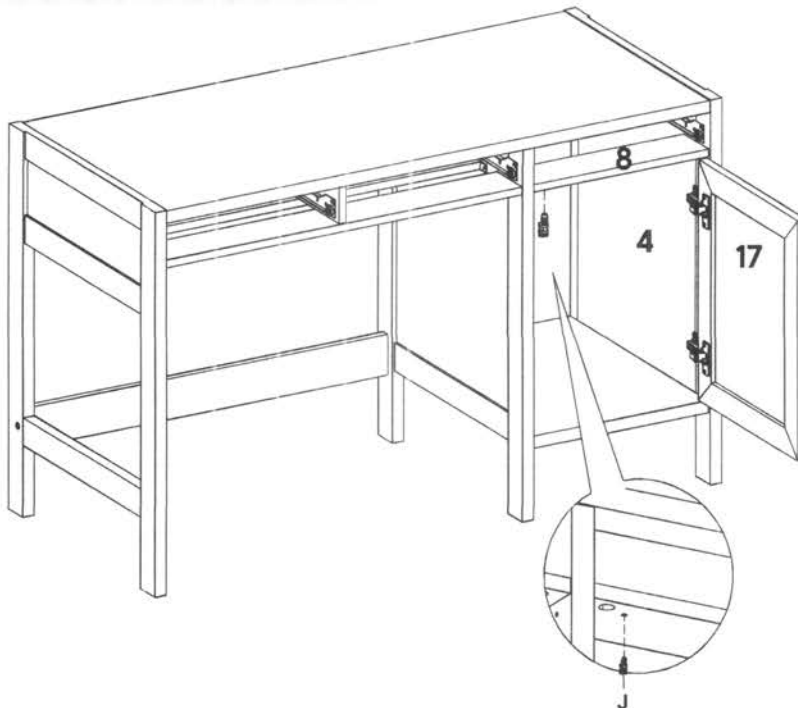
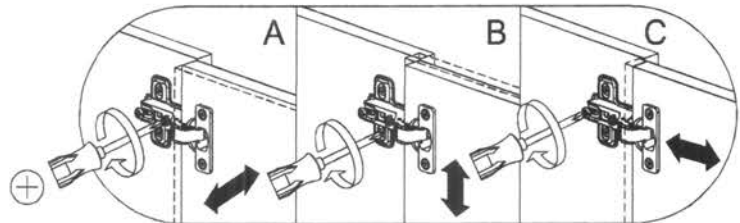
Step 15

HARDWARE

J	Stopper	x1
----------	---------	----

COMPONENTS

4	Right Board	x1
8	Right Drawer Support	x1
17	Door	x1



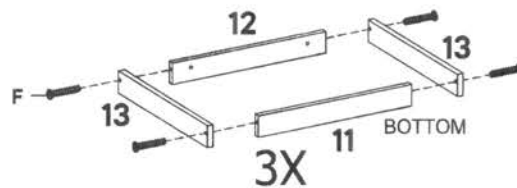
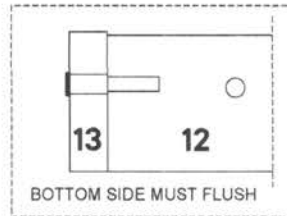
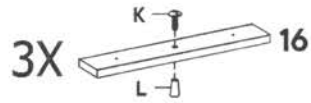
Step 16

HARDWARE

F	Screw M10 x 33.5 mm	x12
K	Screw M4 x 10 mm	x3
L	Handle	x3

COMPONENTS

11	Rear Drawer	x3
12	Front Drawer	x3
13	Side Drawer	x6
16	Head Drawer	x3



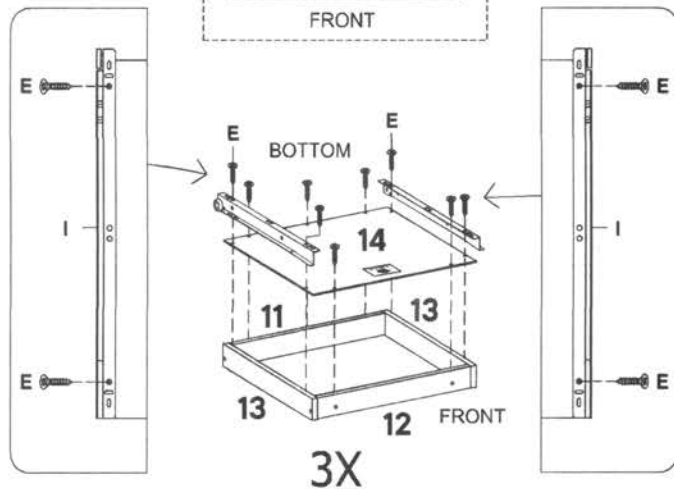
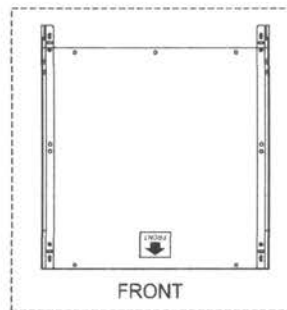
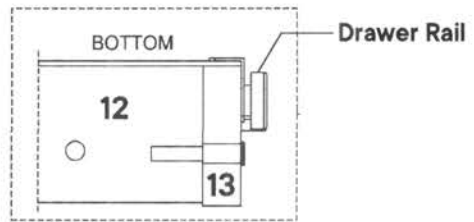
Step 17

HARDWARE

E	Screw M6 x 13 mm	x27
I	Drawer Rail	x3

COMPONENTS

11	Rear Drawer	x3
12	Front Drawer	x3
13	Side Drawer	x6
14	Bottom Drawer	x3



Step 18

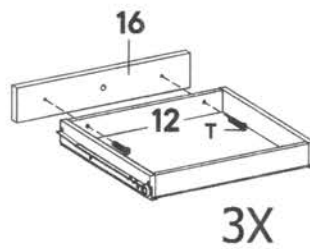
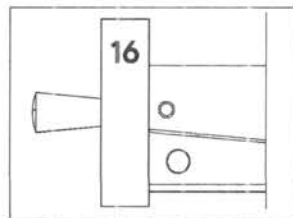
HARDWARE

T Screw M10 x 25 mm x6

COMPONENTS

12 Front Drawer x3

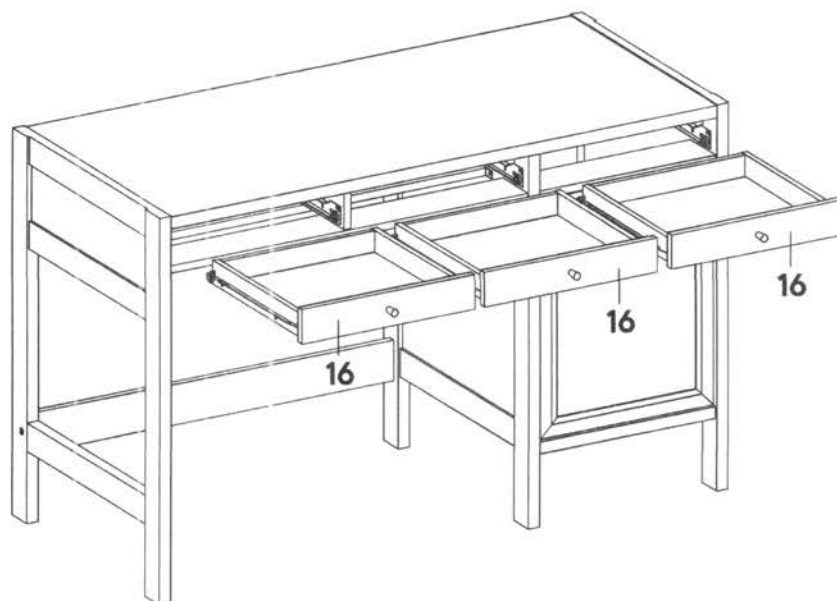
16 Head Drawer x3



Step 19

COMPONENTS

16 Head Drawer x3



Great job!

Desk assembly is complete.

♥ CARING FOR YOUR ITEM

Indoor use only.

Not contract grade.

Clean using a non-abrasive cloth and a mild cleaner.

Never use harsh chemicals, as they could damage the finish or integrity of the item.

CONNECT WITH US!

Tag us @modway_furniture and #modway for a chance to be featured.

