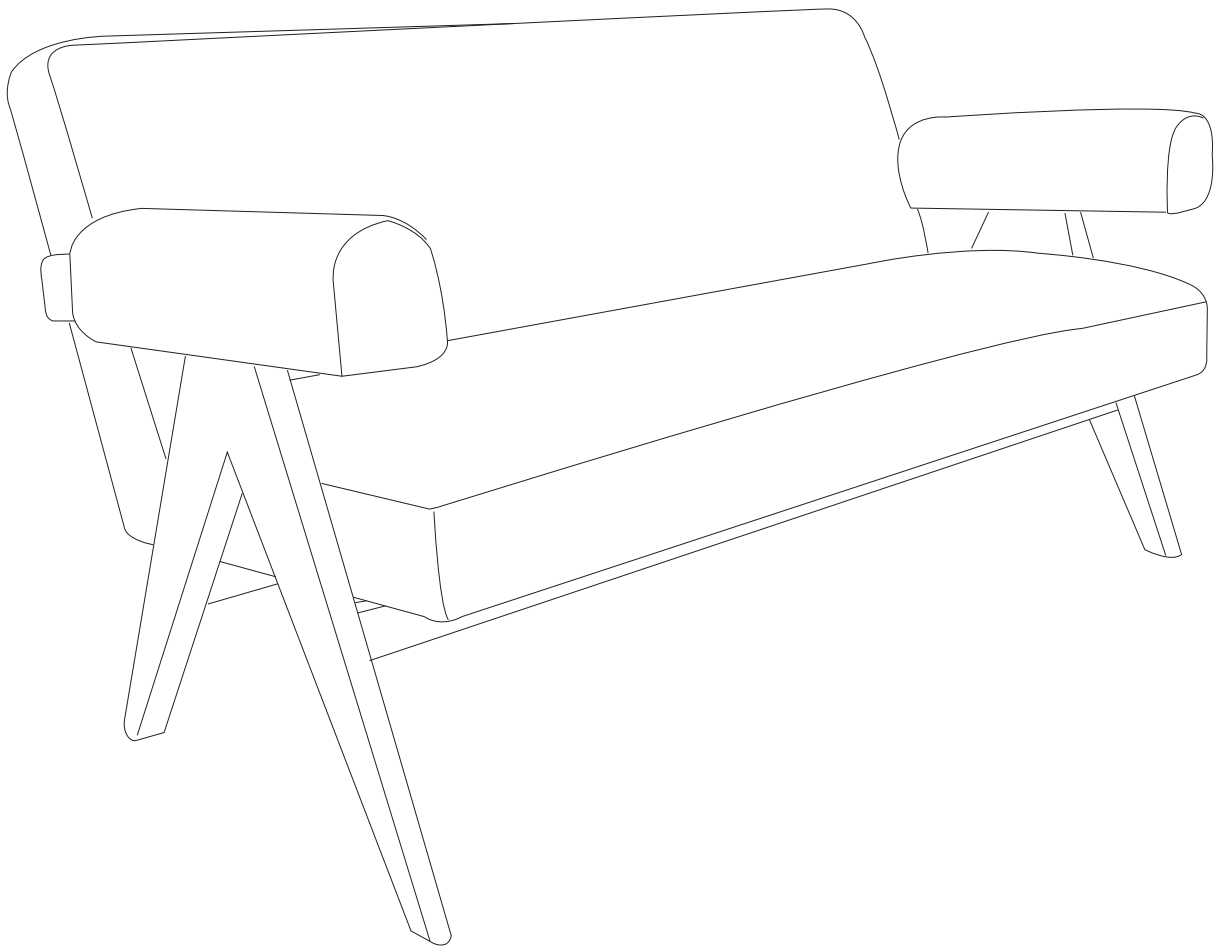


ASSEMBLY INSTRUCTIONS

EEI-6504/6505

V0.12.12.23



Questions? Contact us!

609.256.9000 • cs@modway.com
www.modway.com

*modway

Let's get started!

*modway



Read through all of the instructions before starting



Care instructions are listed in the last step of this manual



Approx. 30 minutes assembly time



Make sure you have all parts and components before discarding any packing materials



2 people recommended for assembly

Only use hand tools to assemble this item. Do not use power tools. Do not tighten bolts or screws completely until all hardware is lined up and inserted into the holes.

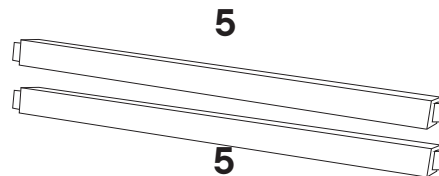
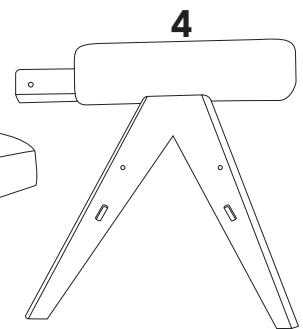
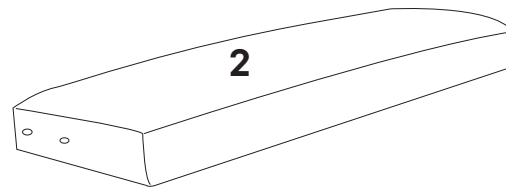
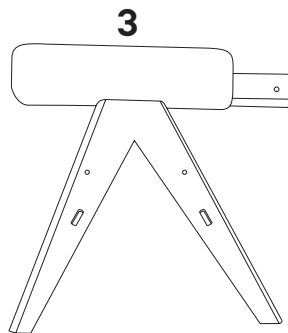
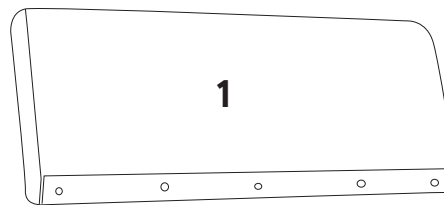
Do not over-tighten screws and bolts to avoid stripping the hardware or cracking the item.

Assemble your item on a flat, carpeted area, with plenty of space to work. This will prevent damage and scratches to your floors or the item while you're assembling the product.

Keep all components and packaging out of reach of children or animals to avoid risk of choking or suffocation.

Furniture components:

1	Back Cushion	x1
2	Seat Cushion	x1
3	Left Arm	x1
4	Right Arm	x1
5	Stretcher	x2



Provided hardware:

A		Bolt M8 x 45mm	x4
B		Bolt M8 x 60mm	x5
C		Bolt M8 x 60mm	x2
D		Flat Washer	x9
E		Spring Washer	x9
F		Screw M4 x 45mm	x4
G		Allen Key	x1

What you need:



Philips



Philips Head Screwdriver

Wait!

Missing parts or hardware? Need assistance?
Contact us before returning your item. We're here to help!
609.256.9000 • cs@modway.com

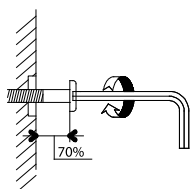
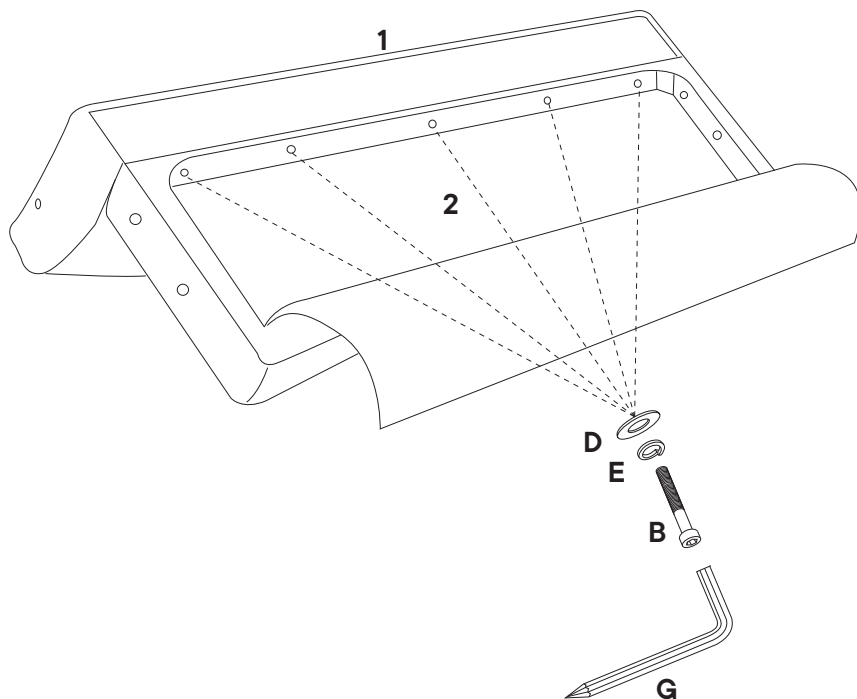
Step 1

COMPONENTS

- ① Back Cushion x1
- ② Seat Cushion x1

HARDWARE

- Ⓑ Bolt M8 x 60mm x5
- Ⓓ Flat Washer x5
- Ⓔ Spring Washer x5
- Ⓖ Allen Key x1



NOTE : Do not fully tighten the bolt

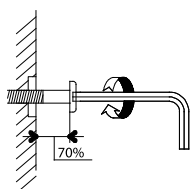
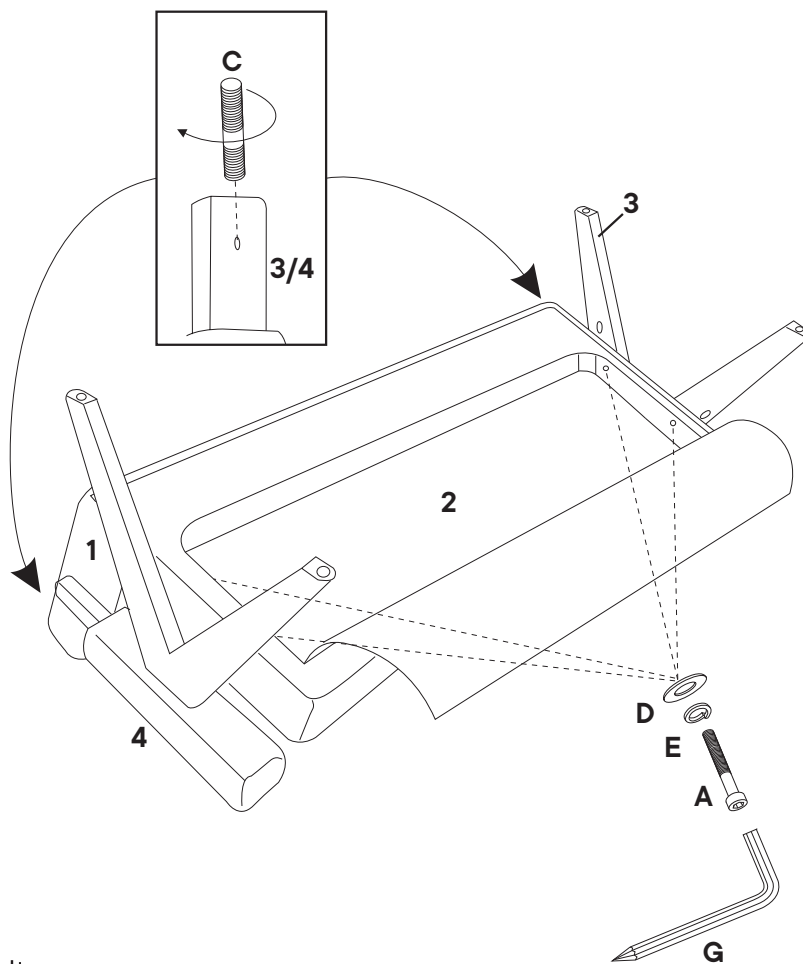
Step 2

COMPONENTS

- ① Back Cushion x1
- ② Seat Cushion x1
- ③ Left Arm x1
- ④ Right Arm x1

HARDWARE

- Ⓐ Bolt M8 x 45mm x4
- Ⓒ Bolt M8 x 60mm x2
- Ⓓ Flat Washer x4
- Ⓔ Spring Washer x4
- Ⓖ Allen Key x1



NOTE : Do not fully tighten the bolt

Step 3

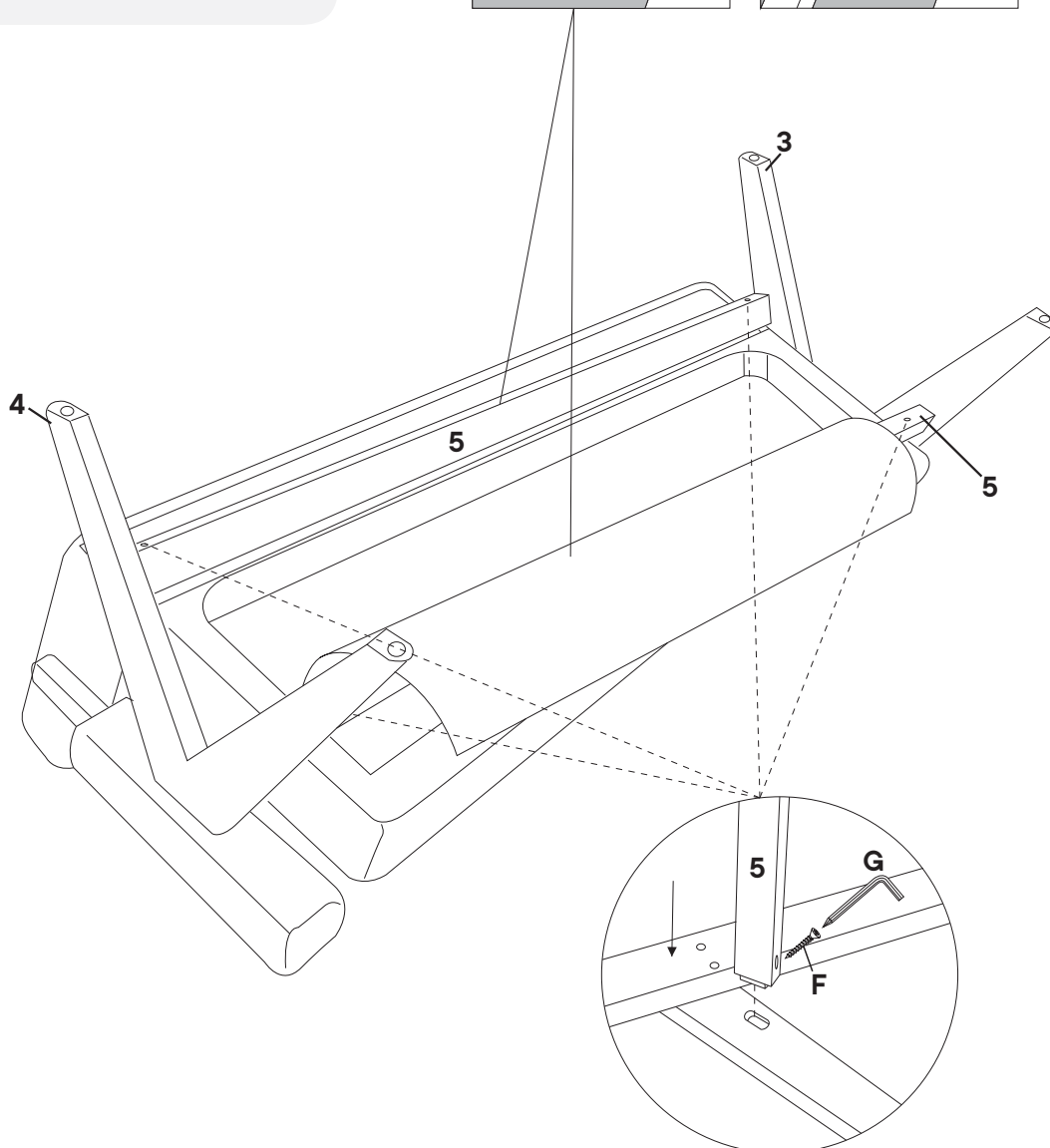
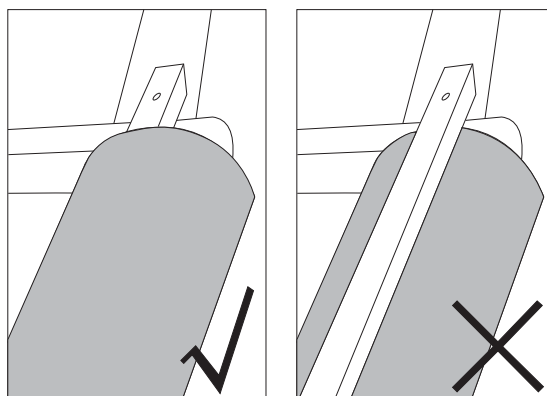
COMPONENTS

- ③ Left Arm x1
- ④ Right Arm x1
- ⑤ Stretcher x2

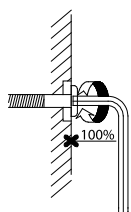
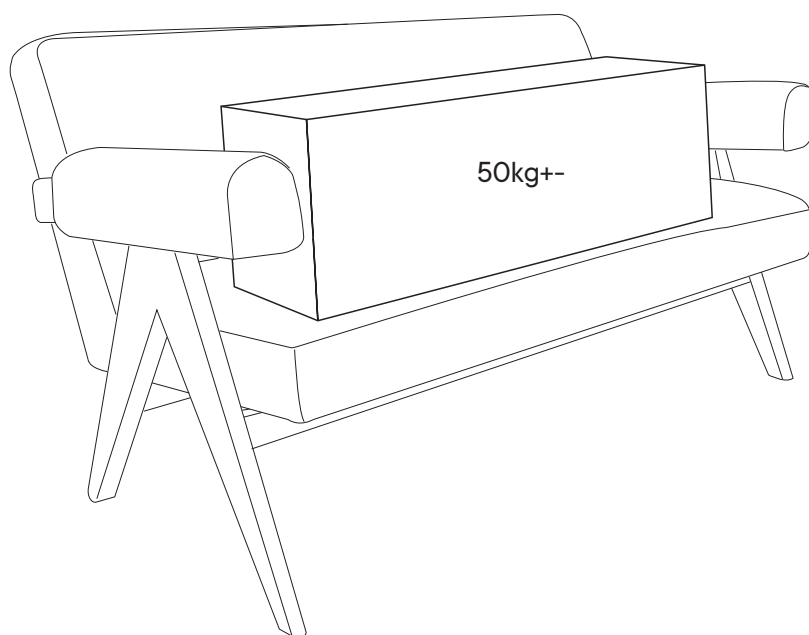
HARDWARE

- Ⓕ Screw M4 x 45mm x4
- Ⓖ Allen Key x1

NOTE : Make sure non-woven fabric is above the Stretcher(5).



Step 5



NOTE : To assist with leveling the chair place a heavy object or have an adult sit on the Seat Cushion(2) to pressure the chair for leveling and fully tighten all bolts with Allen Key (G) to secure all legs.

Great job!

Your loveseat is complete and ready to enjoy.

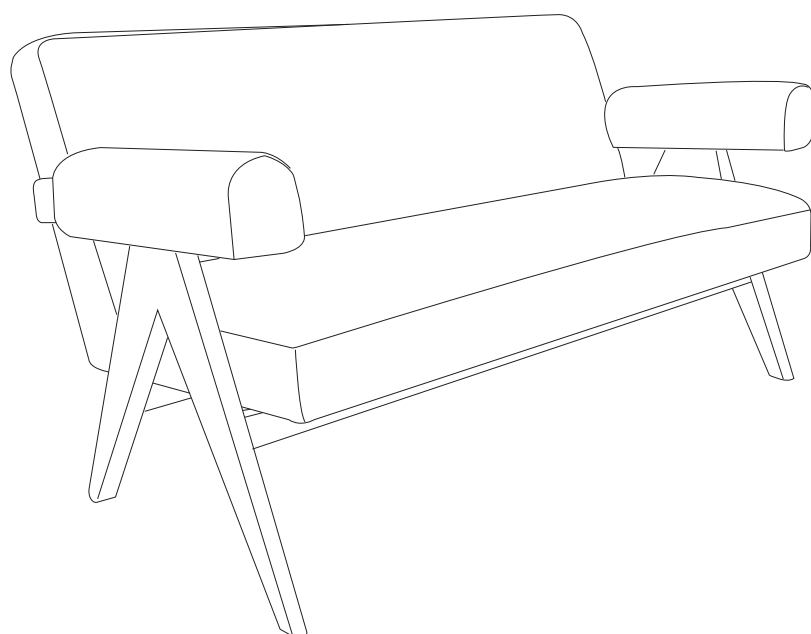
♥ CARING FOR YOUR ITEM

Indoor use only.

Not contract grade.

Clean using a non-abrasive cloth and a mild cleaner.

Never use harsh chemicals, as they could damage the finish or integrity of the item.



CONNECT WITH US!   

Tag us @modway_furniture and #modway for a chance to be featured.