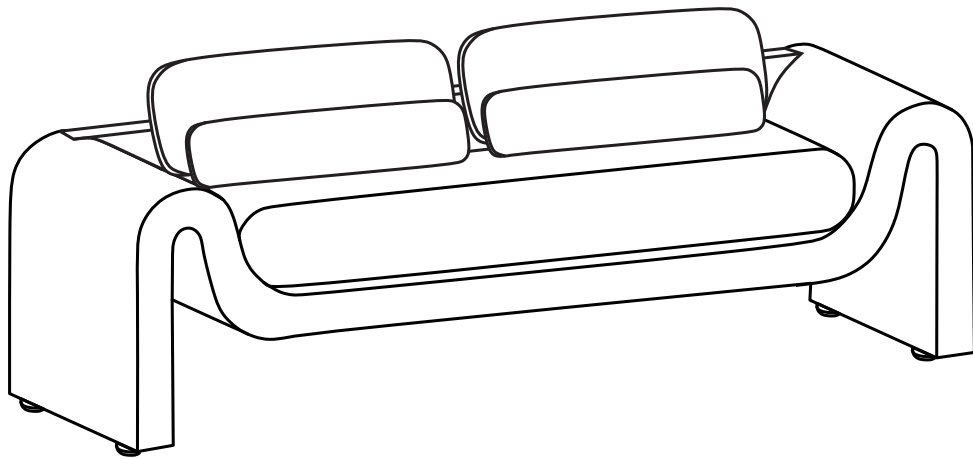


# ASSEMBLY INSTRUCTIONS

# EEI-6381/6382

V1.05.31.23



## Questions? Contact us!

609.256.9000 • [cs@modway.com](mailto:cs@modway.com)  
[www.modway.com](http://www.modway.com)

\*modway

# Let's get started!

\*modway



Read through all of the instructions before starting



Care instructions are listed in the last step of this manual

**Only use hand tools to assemble this item.** Do not use power tools. Do not tighten bolts or screws completely until all hardware is lined up and inserted into the holes.

Do not over-tighten screws and bolts to avoid stripping the hardware or cracking the item.



Approx. 15 minutes assembly time



Make sure you have all parts and components before discarding any packing materials

Assemble your item on a flat, carpeted area, with plenty of space to work. This will prevent damage and scratches to your floors or the item while you're assembling the product.

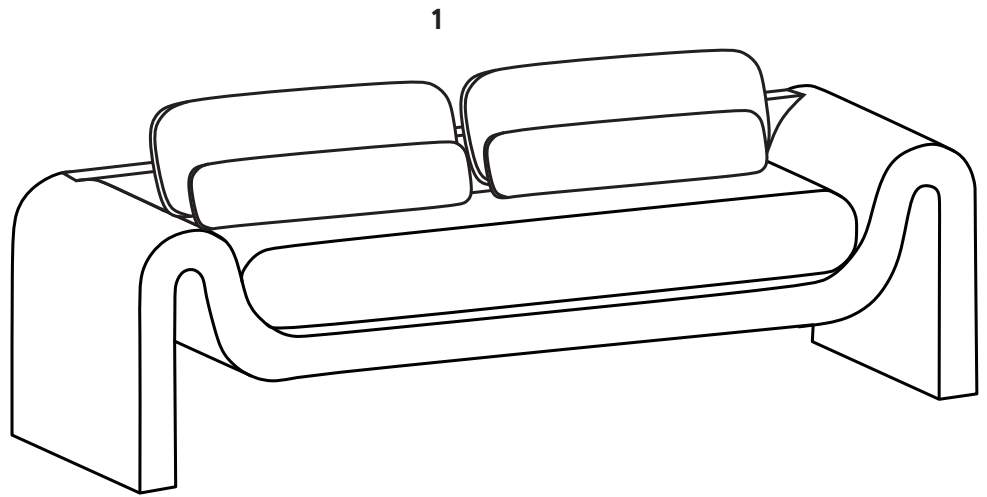
Keep all components and packaging out of reach of children or animals to avoid risk of choking or suffocation.




2 people recommended for assembly

## Furniture components:

1 Sofa x1



## Provided hardware:

A  Adjustable Glide x4

Wait!

Missing parts or hardware? Need assistance?  
Contact us before returning your item. We're here to help!  
609.256.9000 • [cs@modway.com](mailto:cs@modway.com)

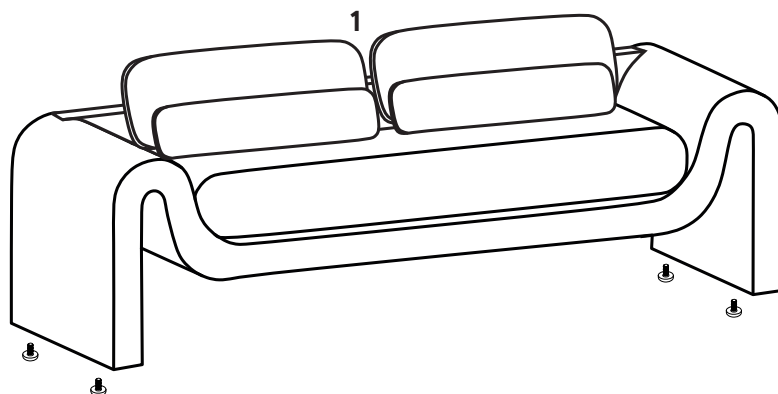
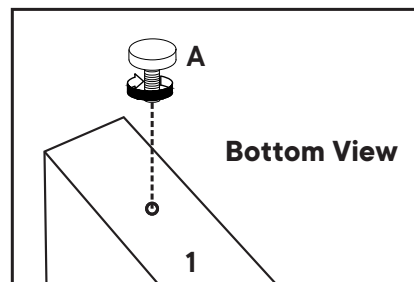
# Step 1

## COMPONENTS

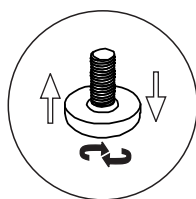
1 Sofa x1

## HARDWARE

A Adjustable Glide x4



Notes: If there is un-stable, it may be caused by an uneven floor, which can be adjusted by Leveller.



# Great job!

Your sofa is complete and ready to enjoy.

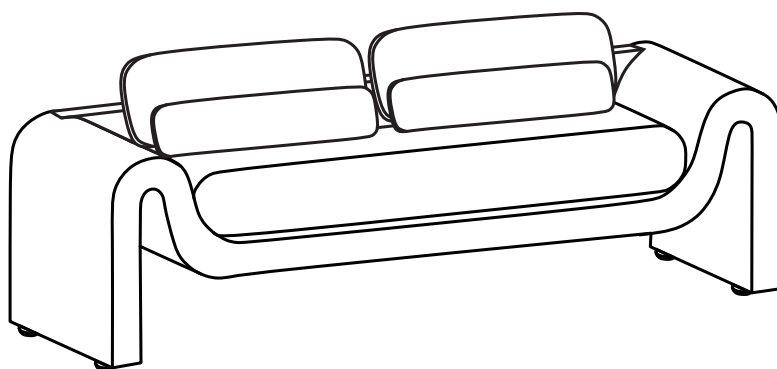
## ♥ CARING FOR YOUR ITEM

Indoor use only.

Not contract grade.

Clean using a non-abrasive cloth and a mild cleaner.

Never use harsh chemicals, as they could damage the finish or integrity of the item.



CONNECT WITH US!   

Tag us @modway\_furniture and #modway for a chance to be featured.