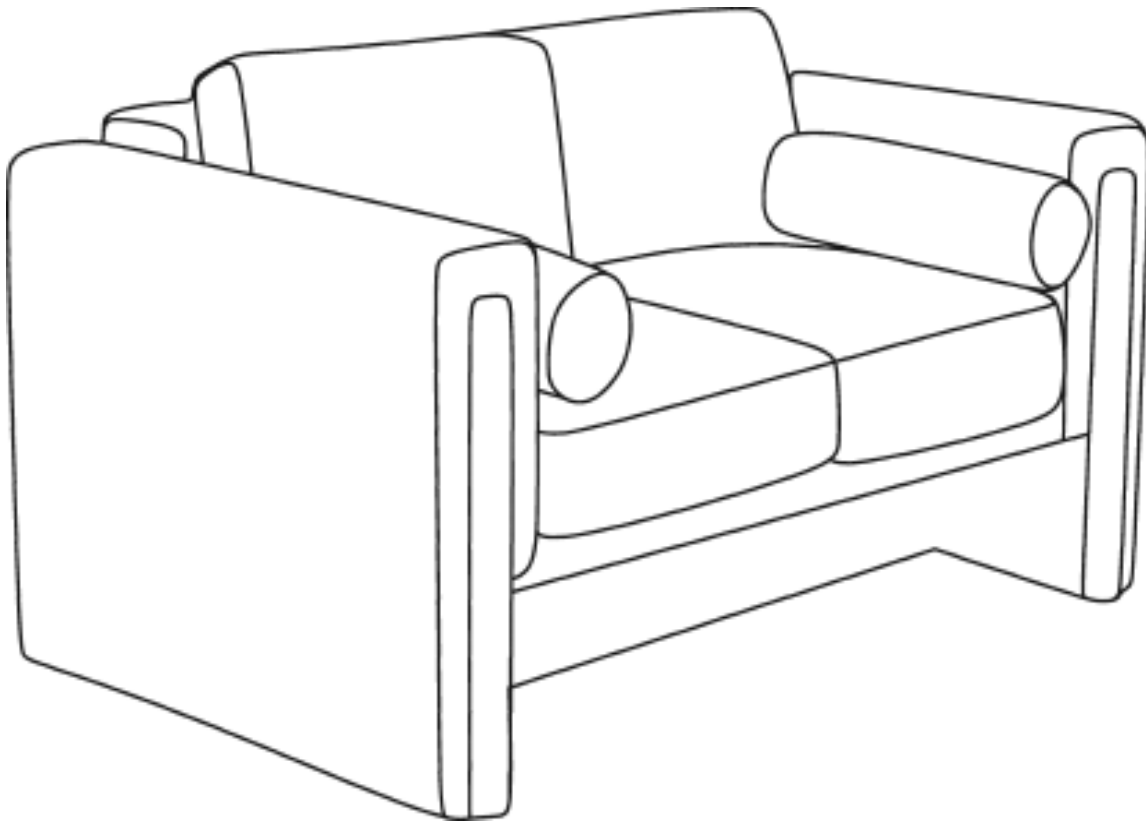


# ASSEMBLY INSTRUCTIONS

## EEI-6375/6376/6377/6378

V1.05.23.23



### Questions? Contact us!

609.256.9000 • [cs@modway.com](mailto:cs@modway.com)  
[www.modway.com](http://www.modway.com)

\*modway

# Let's get started!

\*modway



Read through all of the instructions before starting



Care instructions are listed in the last step of this manual



Approx. 15 minutes assembly time



Make sure you have all parts and components before discarding any packing materials



2 people recommended for assembly

**Only use hand tools to assemble this item.** Do not use power tools. Do not tighten bolts or screws completely until all hardware is lined up and inserted into the holes.

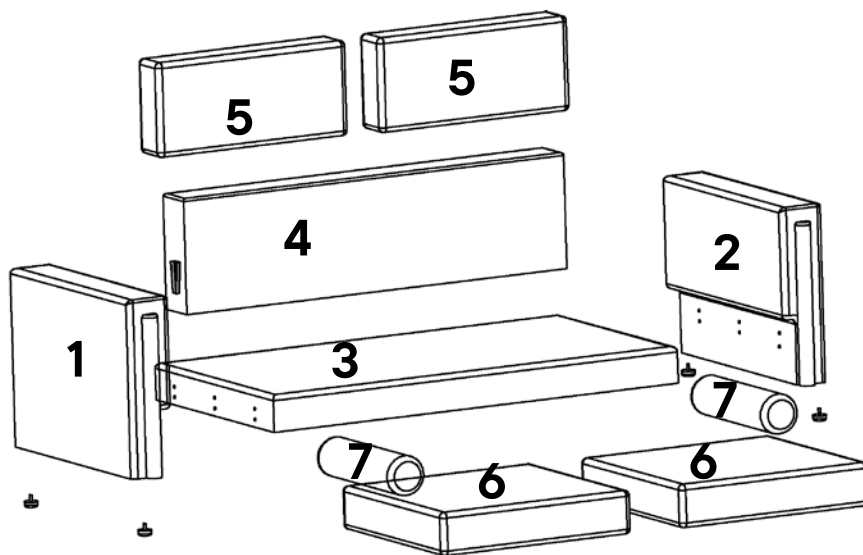
Do not over-tighten screws and bolts to avoid stripping the hardware or cracking the item.

Assemble your item on a flat, carpeted area, with plenty of space to work. This will prevent damage and scratches to your floors or the item while you're assembling the product.




Keep all components and packaging out of reach of children or animals to avoid risk of choking or suffocation.

## Furniture components:

1	Left Arm	x1
2	Right Arm	x1
3	Sofa Seat	x1
4	Sofa Back	x1
5	Back Cushion	x2
6	Seat Cushion	x2
7	Side Cushion	x2



## Provided Hardware:

A	 Bolt M8x75	x12
B	 Allen Key	x1
C	 Glide	x4

**Wait!**

**Missing parts or hardware? Need assistance?**  
Contact us before returning your item. We're here to help!  
609.256.9000 • [cs@modway.com](mailto:cs@modway.com)

# Step 1

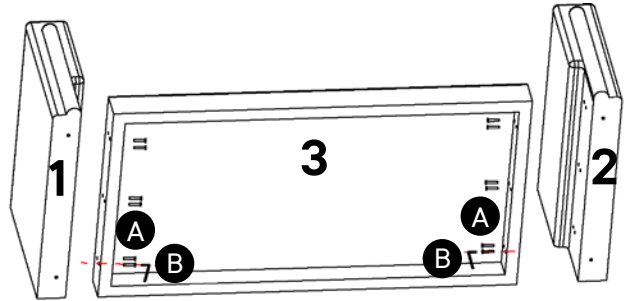
## HARDWARE

- A** Bolt M8x75mm x12
- B** Allen Key x1

## COMPONENTS

- 1** Left Side x1
- 2** Right Side x1
- 3** Sofa Seat x1

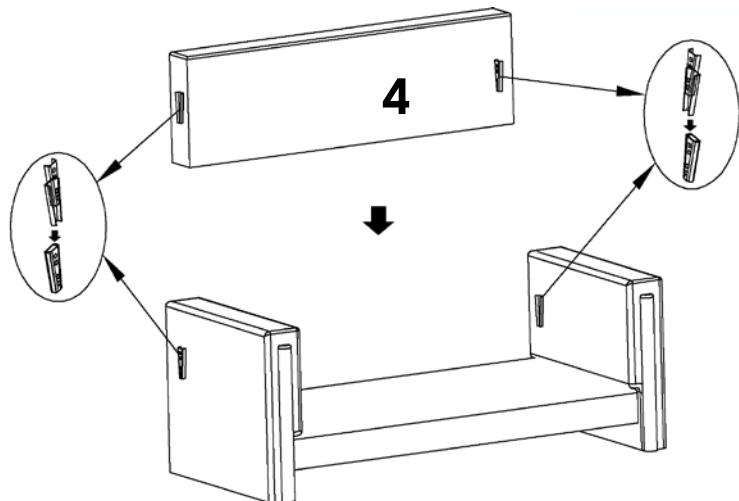
4



# Step 2

## COMPONENTS

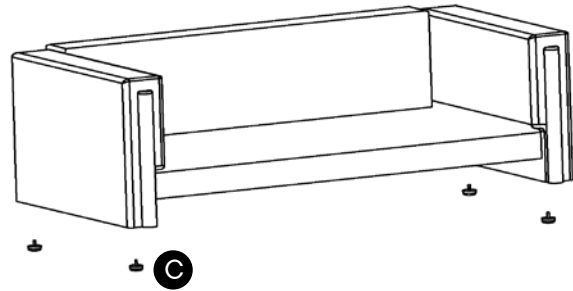
- 4** Sofa Back x1



# Step 3

## HARDWARE

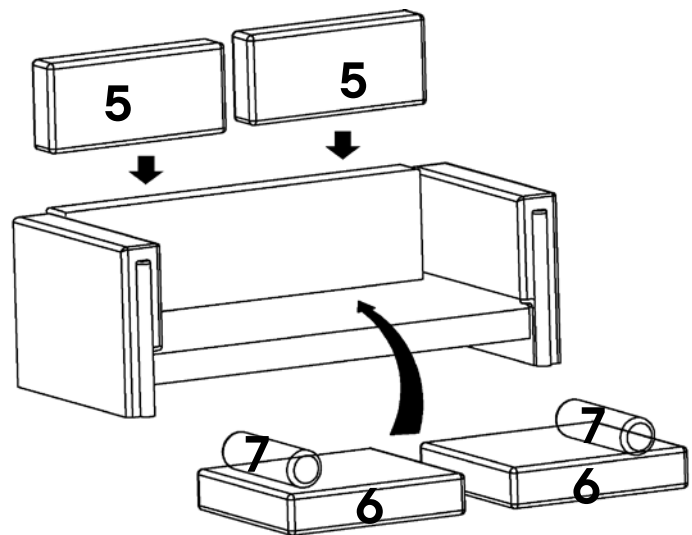
- Ⓒ Glide x4



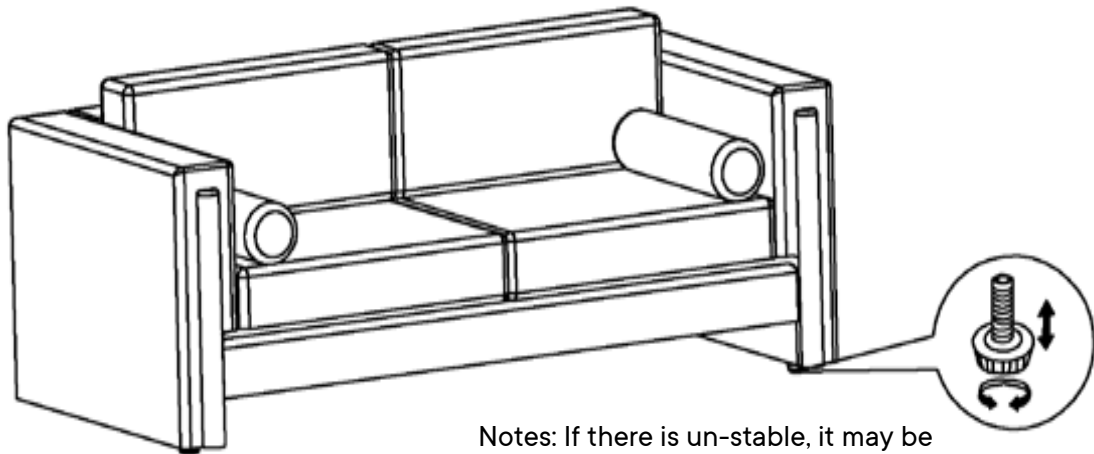
# Step 4

## COMPONENTS

- 5 Back Cushion x2
- 6 Seat Cushion x2
- 7 Side Cushion x2



## Step 5



Notes: If there is un-stable, it may be caused by an uneven floor, which can be adjusted by leveler

## Great job!

Your loveseat/sofa is complete and ready to enjoy.

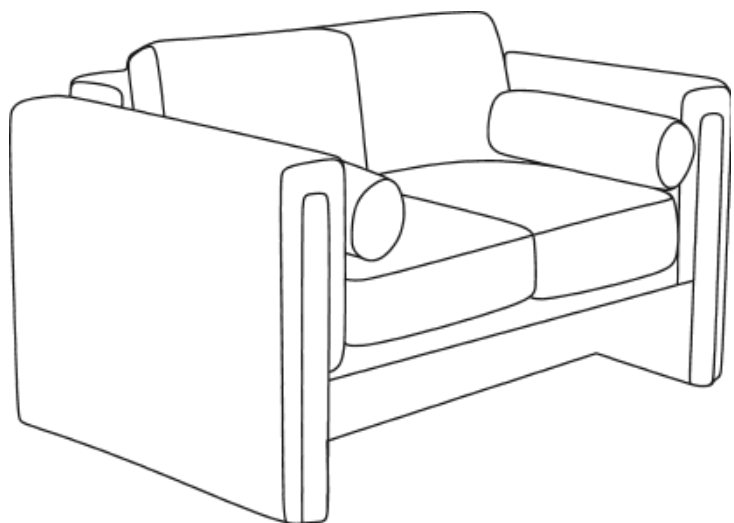
### ♥ CARING FOR YOUR ITEM

Indoor use only.

Not contract grade.

Spot clean using a non-abrasive cloth and a mild cleaner.

Never use harsh chemicals, as they could damage the finish or integrity of the item.



CONNECT WITH US!   

Tag us @modway\_furniture and #modway for a chance to be featured.